



US00D545671S

(12) **United States Design Patent**
Costa

(10) **Patent No.:** **US D545,671 S**

(45) **Date of Patent:** **** Jul. 3, 2007**

(54) **ENCLOSURE TRACK**

D395,817 S * 7/1998 Wu D8/377
5,896,720 A * 4/1999 Bond 52/698

(76) Inventor: **Christopher J. Costa**, 920 W. Shiller
St., Egg Harbor, NJ (US) 08215

* cited by examiner

(**) Term: **14 Years**

Primary Examiner—T. Chase Nelson

Assistant Examiner—Barbara Blanron Lohr

(21) Appl. No.: **29/241,937**

(74) *Attorney, Agent, or Firm*—Stuart M. Goldstein

(22) Filed: **Nov. 2, 2005**

(57) **CLAIM**

(51) **LOC (8) Cl.** **08-05**

The ornamental design for an enclosure track, as shown and described.

(52) **U.S. Cl.** **D8/377**

(58) **Field of Classification Search** D8/358,
D8/363, 376, 377, 380; 2/462; 114/361;
D25/77, 78, 124; 16/91, 94 D; 248/262,
248/265; 160/22, 345; 4/607

DESCRIPTION

See application file for complete search history.

FIG. 1 is an isometric view of the enclosure track of the present invention.

FIG. 2 is an end view of the enclosure track of the present invention.

(56) **References Cited**

U.S. PATENT DOCUMENTS

FIG. 3 is a side view of the enclosure track of the present invention.

1,681,345	A *	8/1928	Johnson	16/94 D
2,590,446	A *	3/1952	Murphy	248/262
3,030,060	A *	4/1962	Breuer	248/265
3,141,221	A *	7/1964	Fauls, Jr.	24/30.5 R
D206,265	S *	11/1966	Shea	D8/377
3,422,464	A *	1/1969	O'Brien	4/607
3,424,225	A *	1/1969	Magnusson	160/345
3,705,439	A *	12/1972	Cooksey et al.	16/94 D
D252,669	S *	8/1979	Muttart	D8/380
D265,885	S *	8/1982	Smith	D8/358
4,615,371	A *	10/1986	Clauss	160/22
4,847,958	A *	7/1989	Conley	24/461
4,903,629	A	2/1990	Maudlin et al.		
5,121,703	A	6/1992	Smith		
5,189,980	A *	3/1993	Zirkelbach et al.	114/361
D355,353	S *	2/1995	Pozzi	D8/377
5,752,297	A *	5/1998	Ramey	24/462

FIG. 4 is a top view of the enclosure track of the present invention.

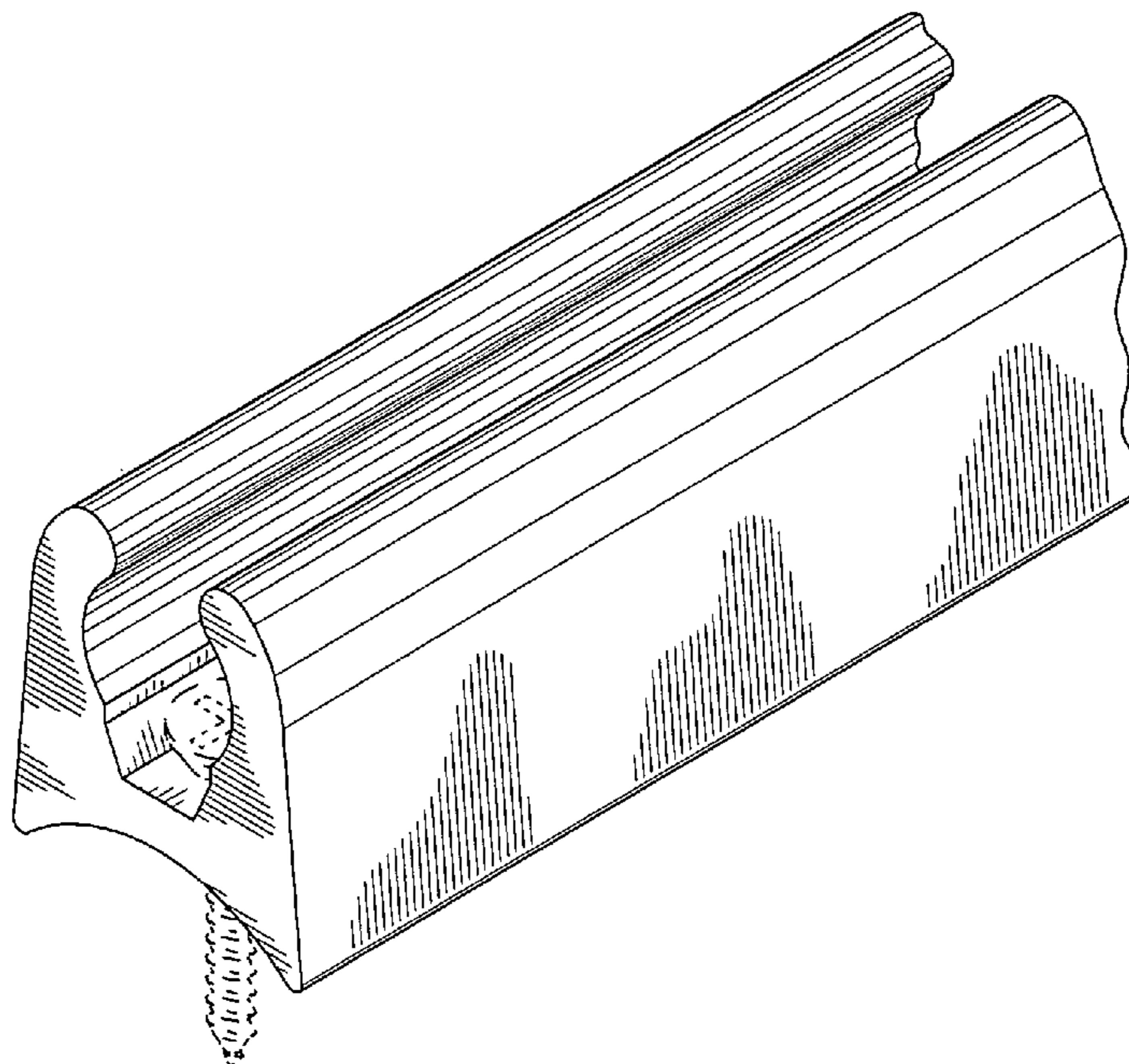
FIG. 5 is a bottom view of the enclosure track of the present invention; and,

FIG. 6 is an isometric view of the enclosure track of the present invention in condition of use showing a section of a broken line enclosure positioned within the enclosure track.

The enclosure track is shown broken away in order to indicate that a specific length of enclosure track forms no part of the claimed design.

The broken lines in the drawing are for illustrative purposes only and form no part of the claimed design.

1 Claim, 4 Drawing Sheets



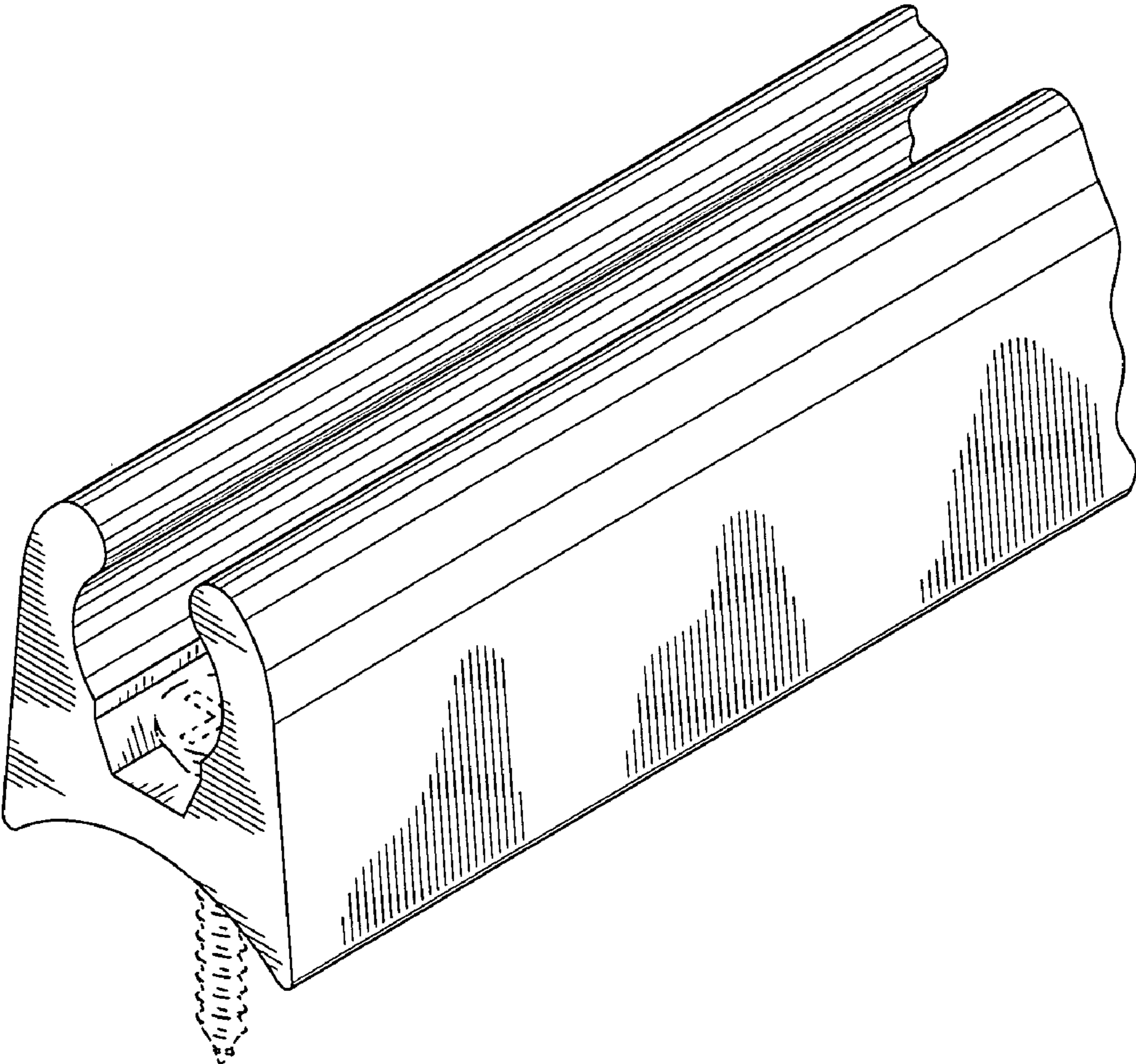


FIG. 1

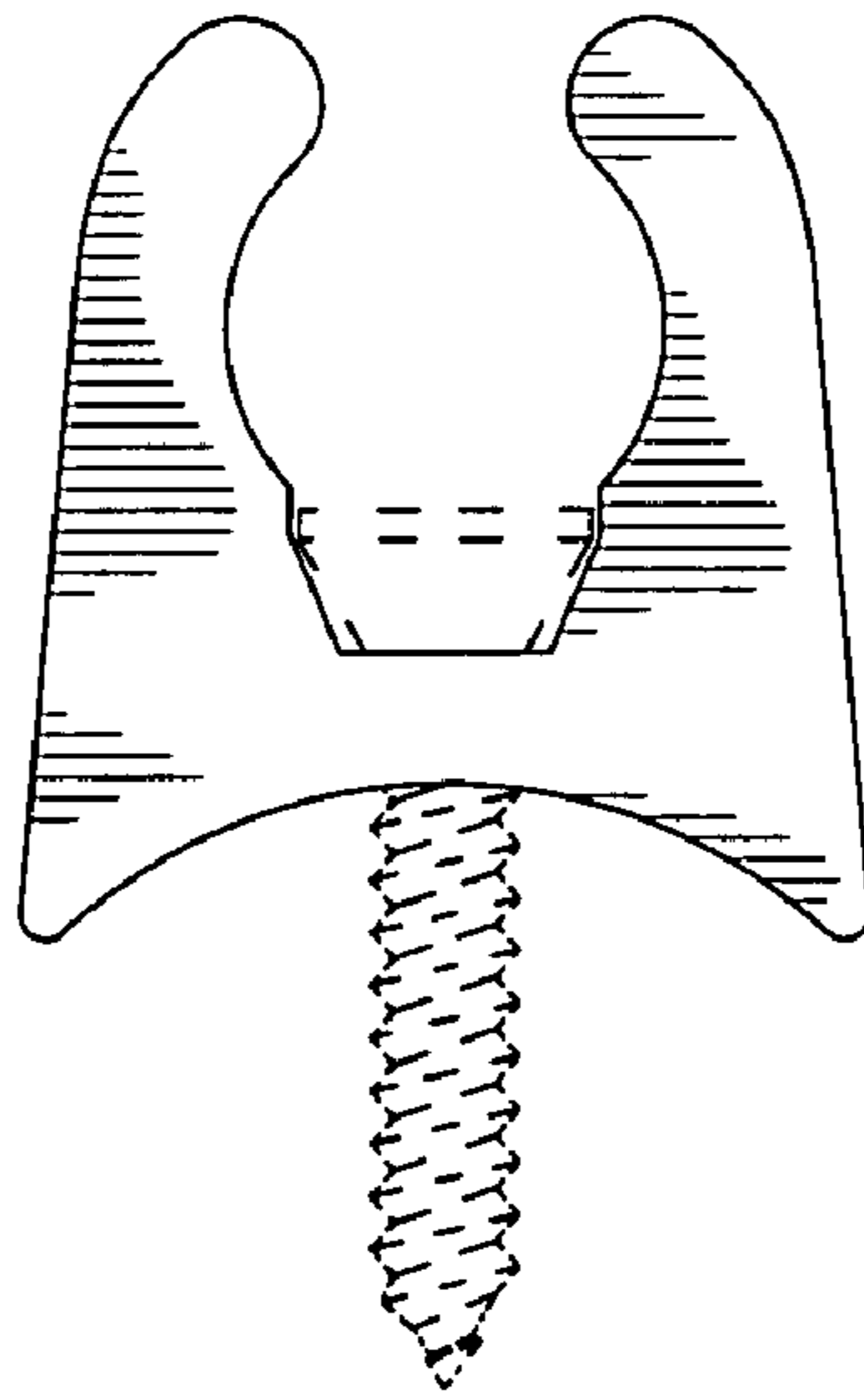


FIG. 2

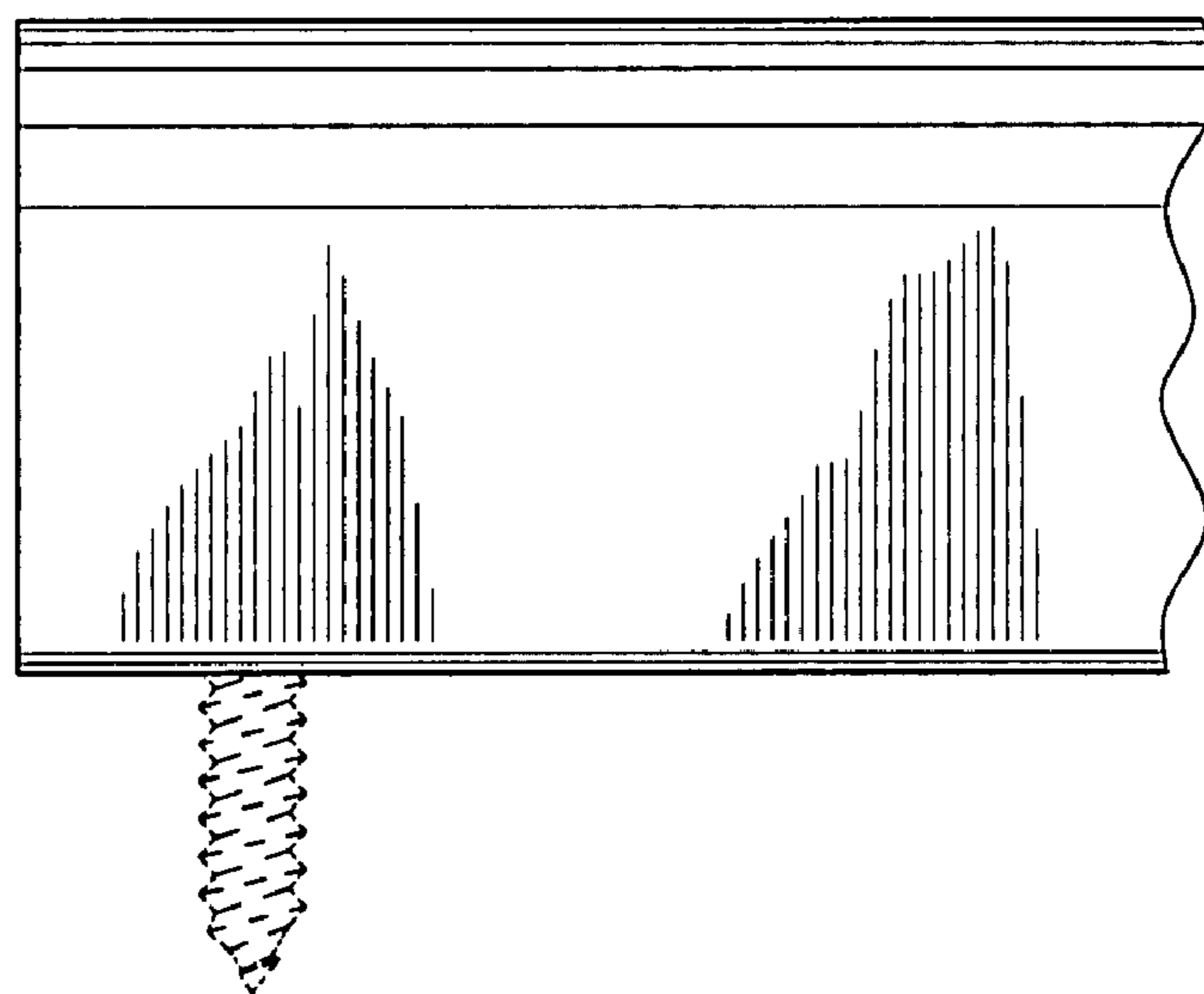


FIG. 3

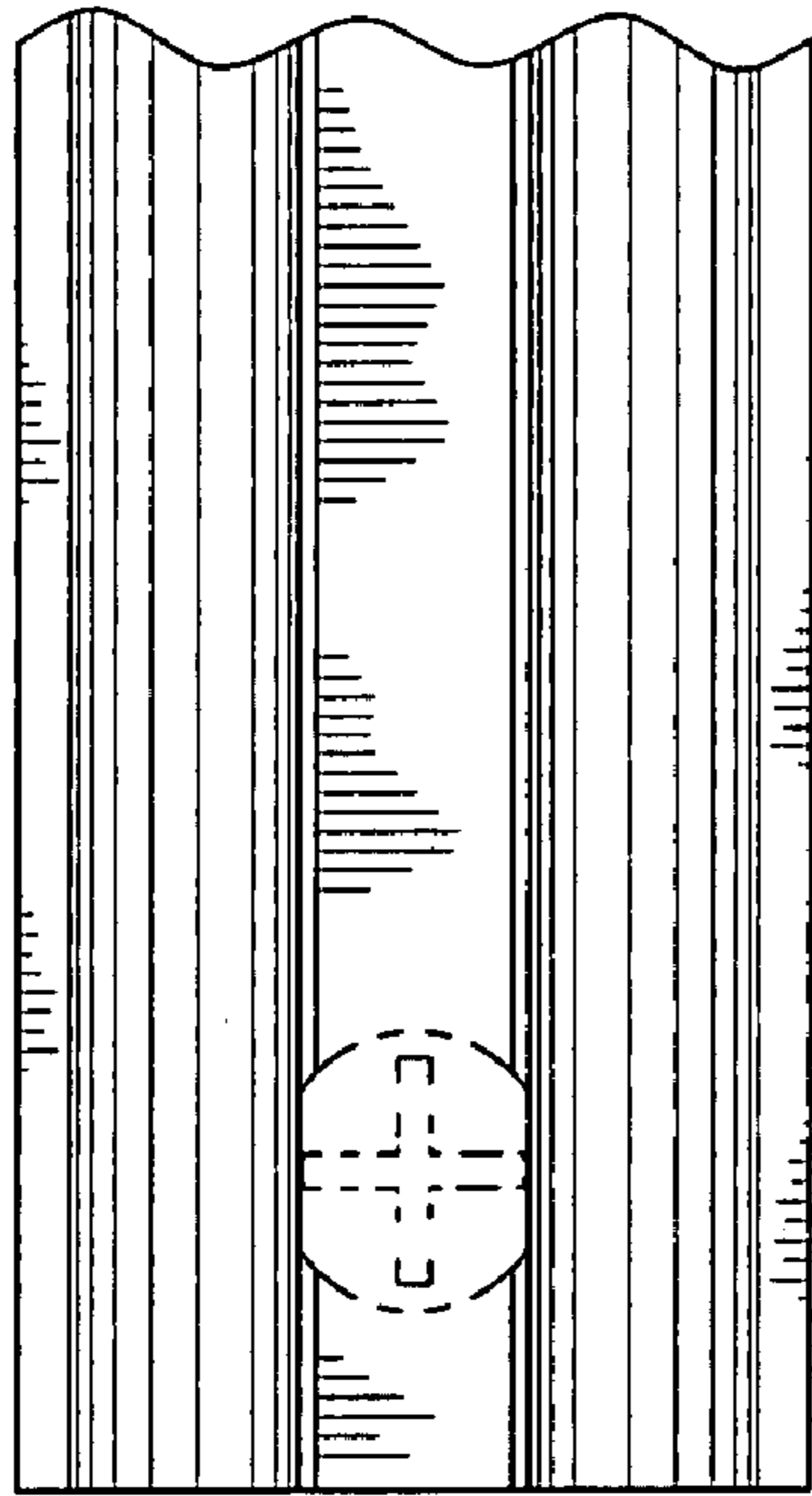


FIG. 4

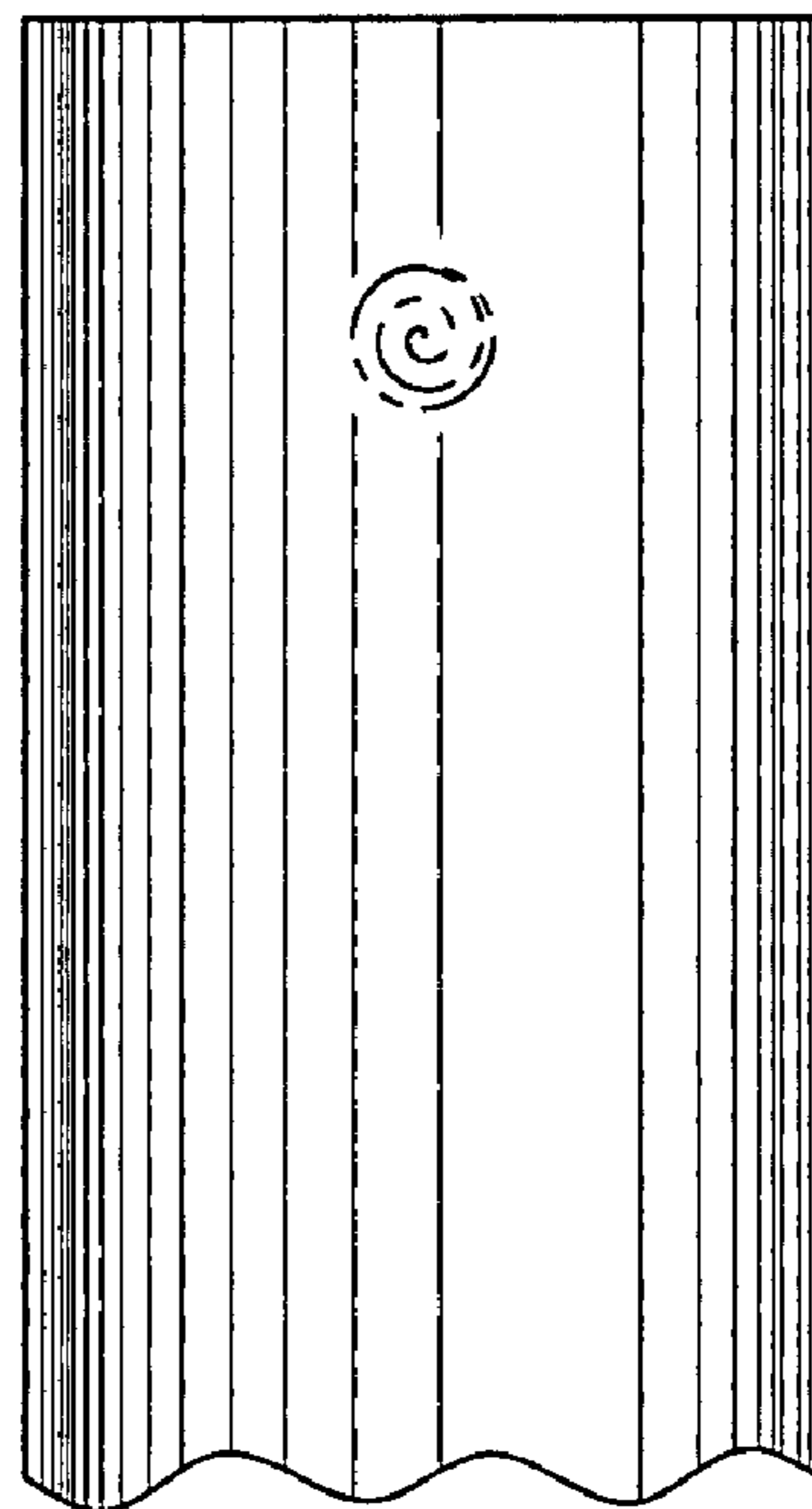


FIG. 5

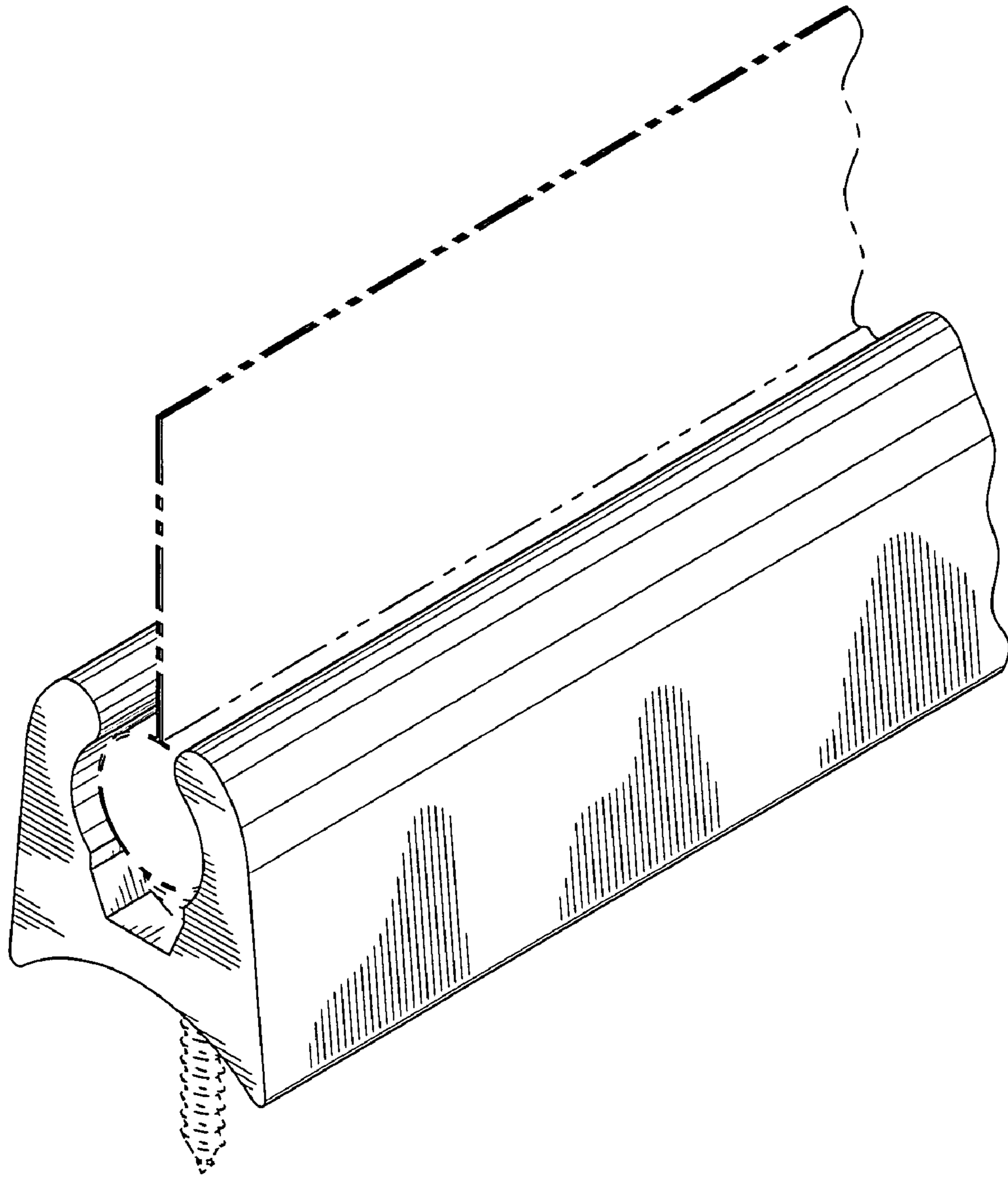


FIG. 6