

US00D545670S

(12) **United States Design Patent** (10) **Patent No.:** **US D545,670 S**
Ostenrieder et al. (45) **Date of Patent:** **** Jul. 3, 2007**

(54) **SWIVEL ROLLER**

(57) **CLAIM**

(75) Inventors: **Jörg Ostenrieder**, Munich (DE);
Roland Kausemann, Remscheid (DE)

The ornamental design for the swivel roller, as shown and described.

(73) Assignee: **Rhombus Rollen GmbH & Co.**,
Wermelskirchen (DE)

DESCRIPTION

(**) Term: **14 Years**

(21) Appl. No.: **29/229,835**

(22) Filed: **May 11, 2005**

(30) **Foreign Application Priority Data**

Nov. 12, 2004 (DE) 4 04 06 418

(51) **LOC (8) Cl.** **08-05**

(52) **U.S. Cl.** **D8/375**

(58) **Field of Classification Search** D8/375;
16/18 CG, 18 R, 45

See application file for complete search history.

(56) **References Cited**

U.S. PATENT DOCUMENTS

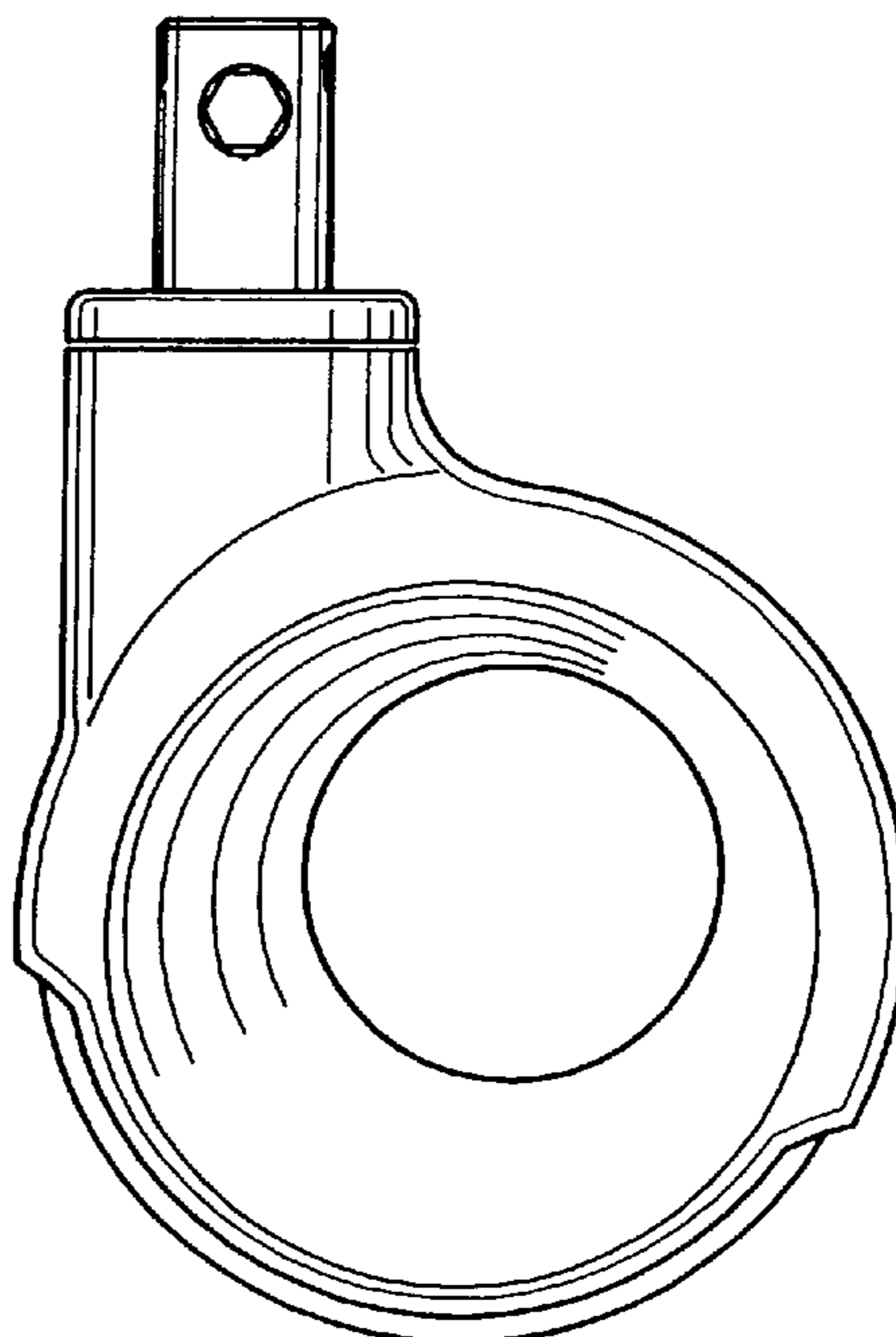
D240,399 S * 7/1976 Crenscenzi D8/375
D310,622 S * 9/1990 Screen D8/375
D340,182 S * 10/1993 Soltani D8/375
D378,657 S * 4/1997 Screen D8/375
D457,421 S * 5/2002 Koepke et al. D8/375
D457,809 S * 5/2002 Holbrook D8/375
D460,346 S * 7/2002 Screen et al. D8/375

* cited by examiner

Primary Examiner—Holly H. Baynham

(74) *Attorney, Agent, or Firm*—Kusner & Jaffe

1 Claim, 6 Drawing Sheets



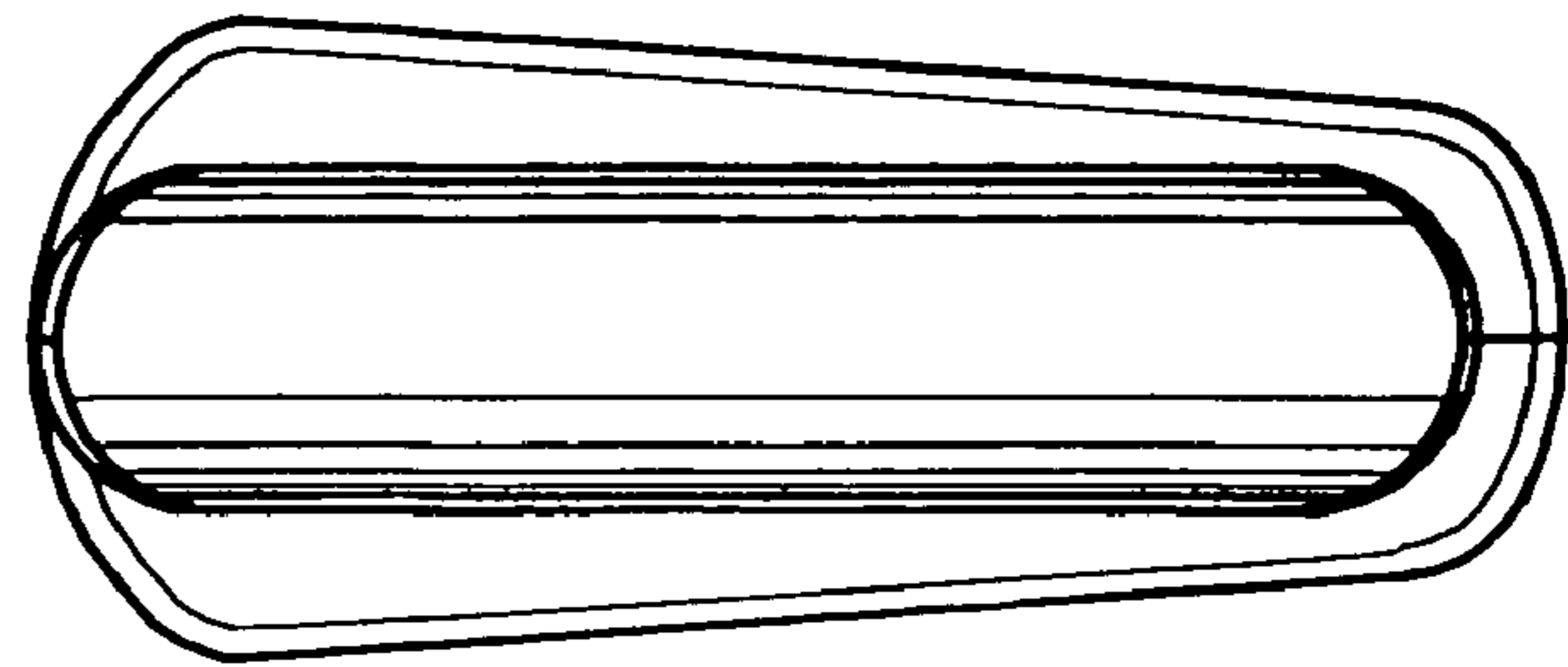


FIG. 3

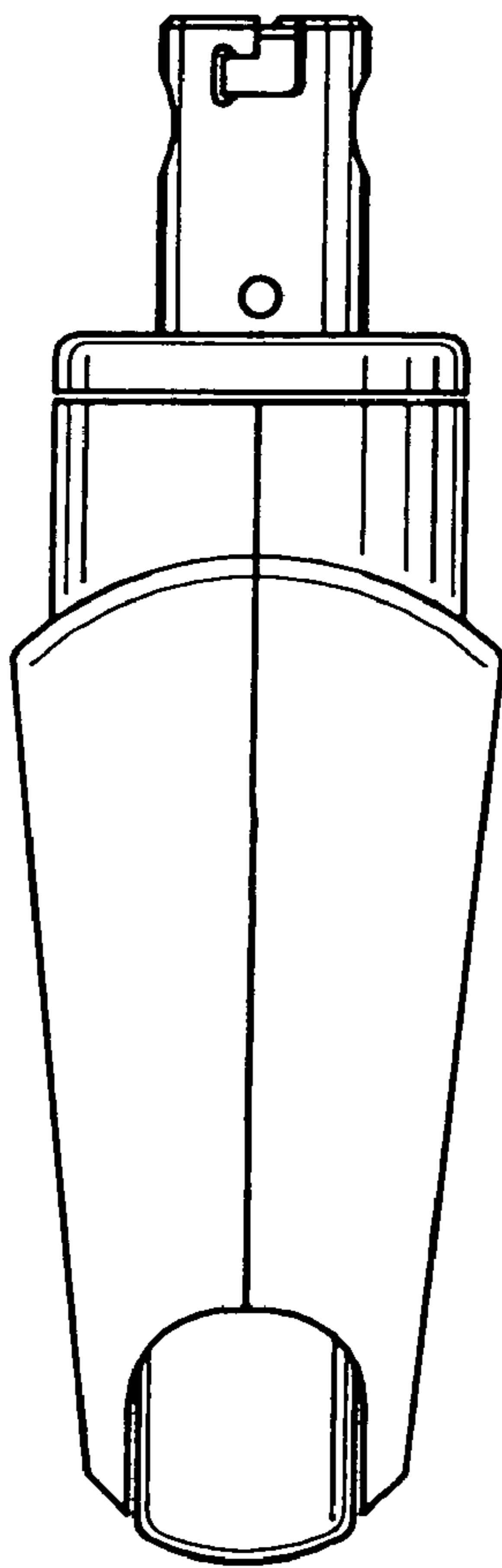


FIG. 1

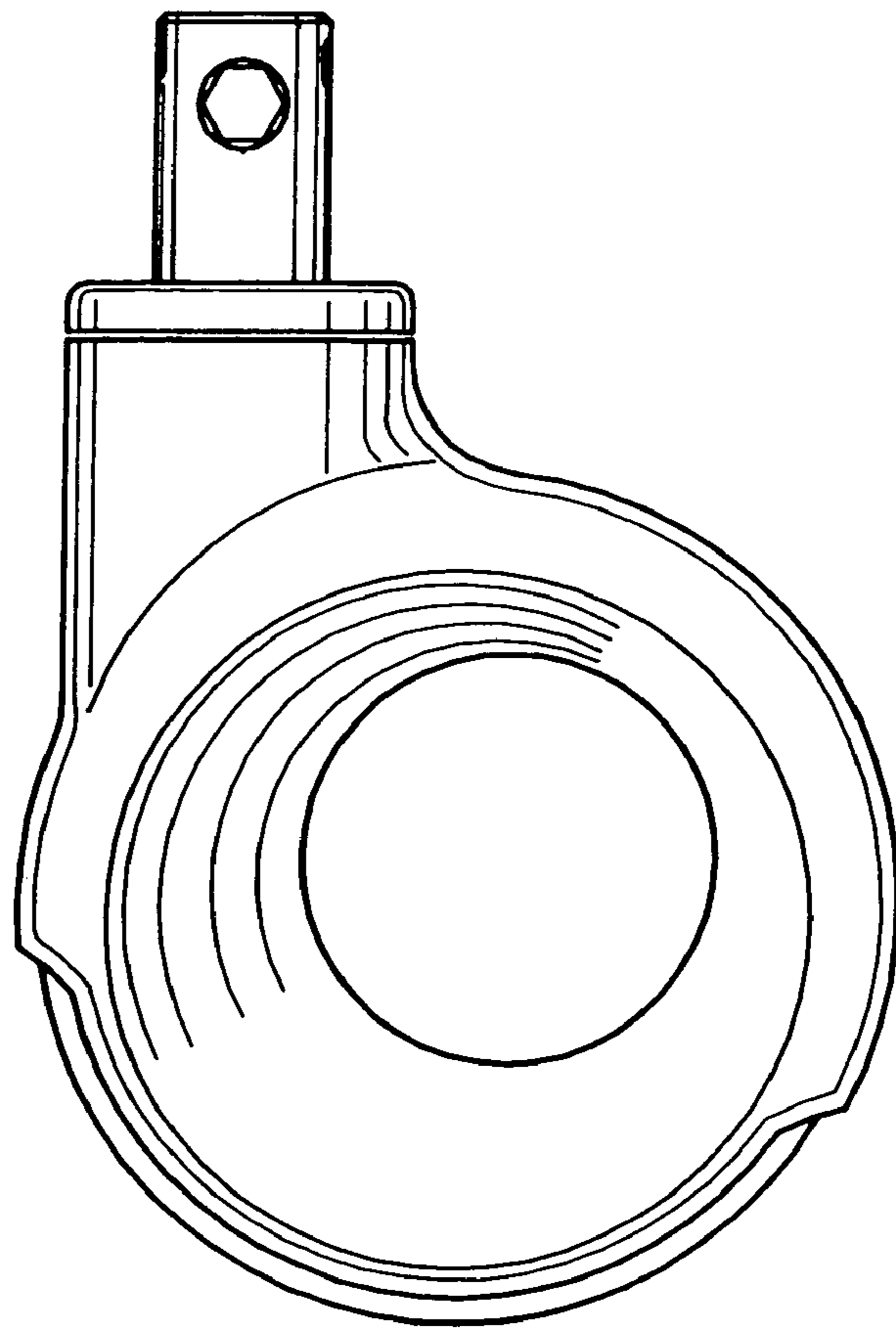


FIG. 2

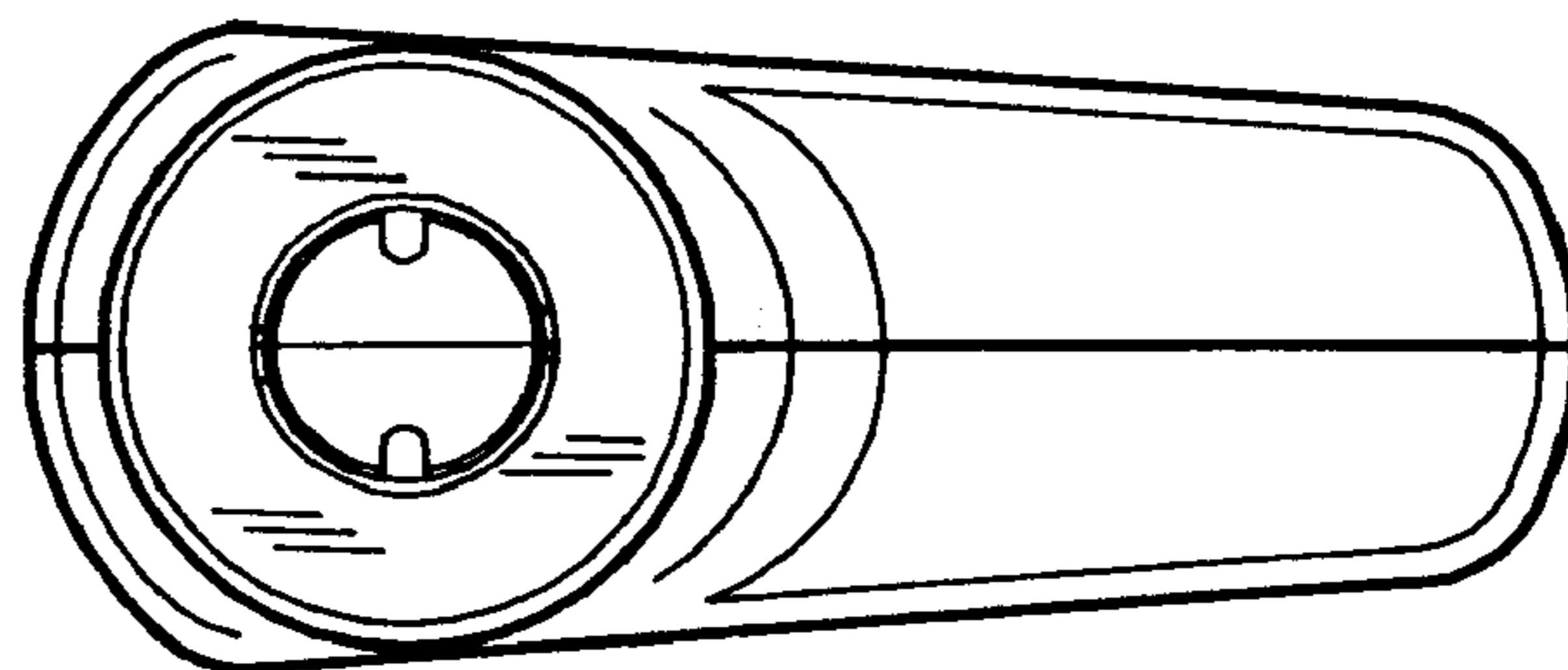


FIG. 4

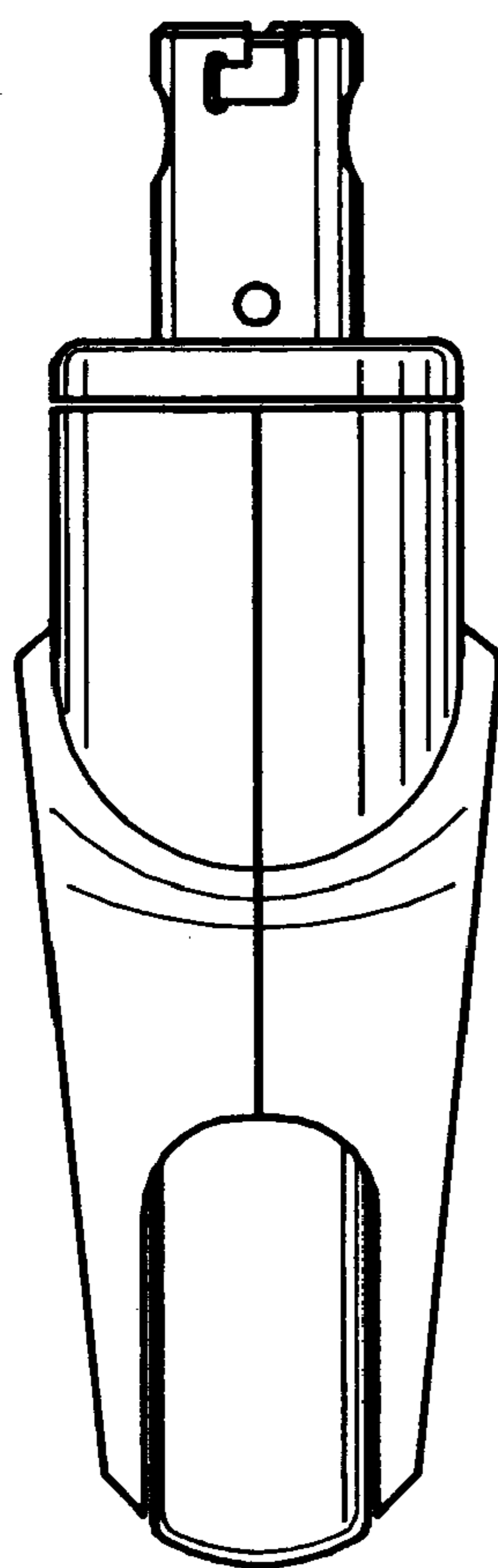


FIG. 5

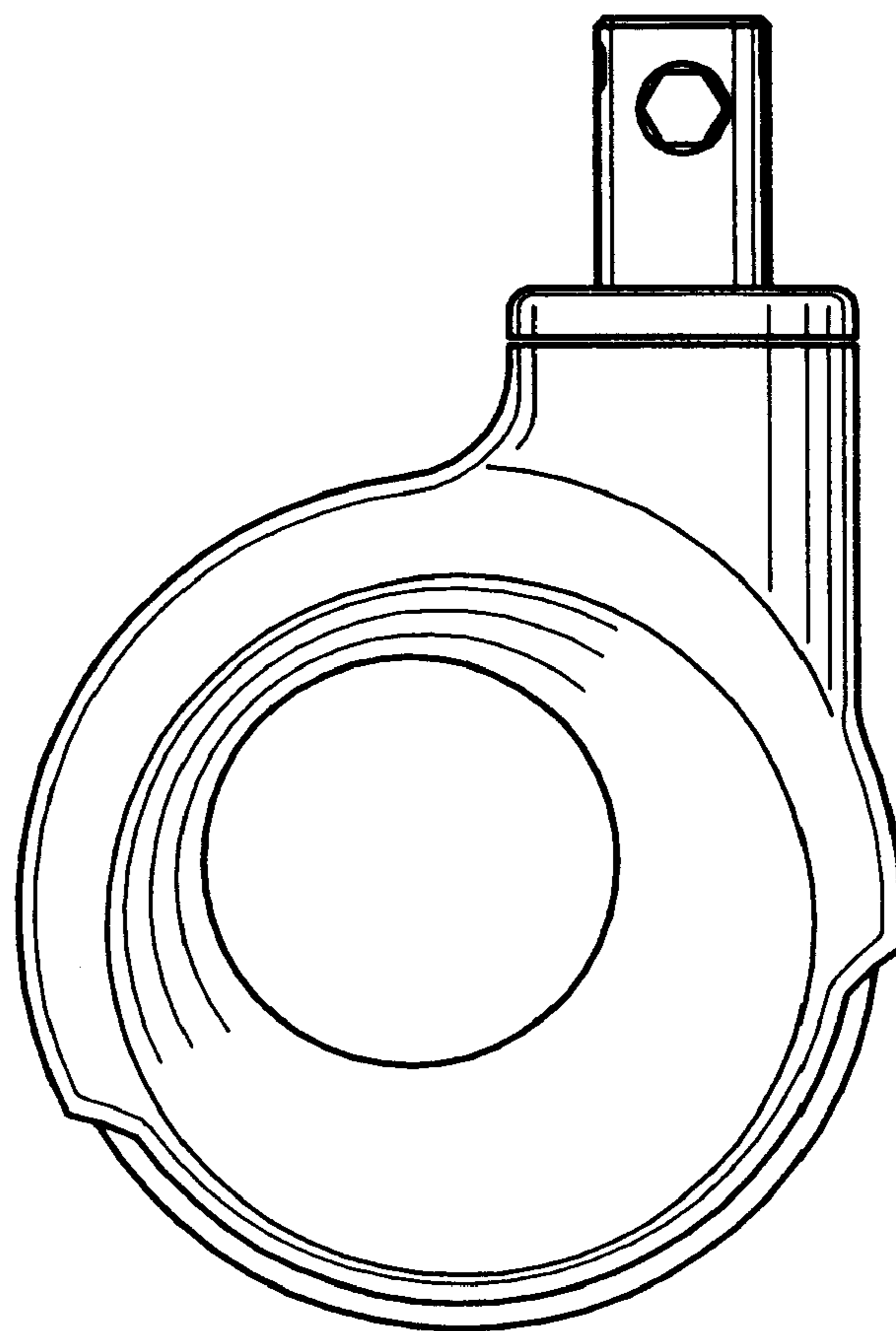


FIG. 6

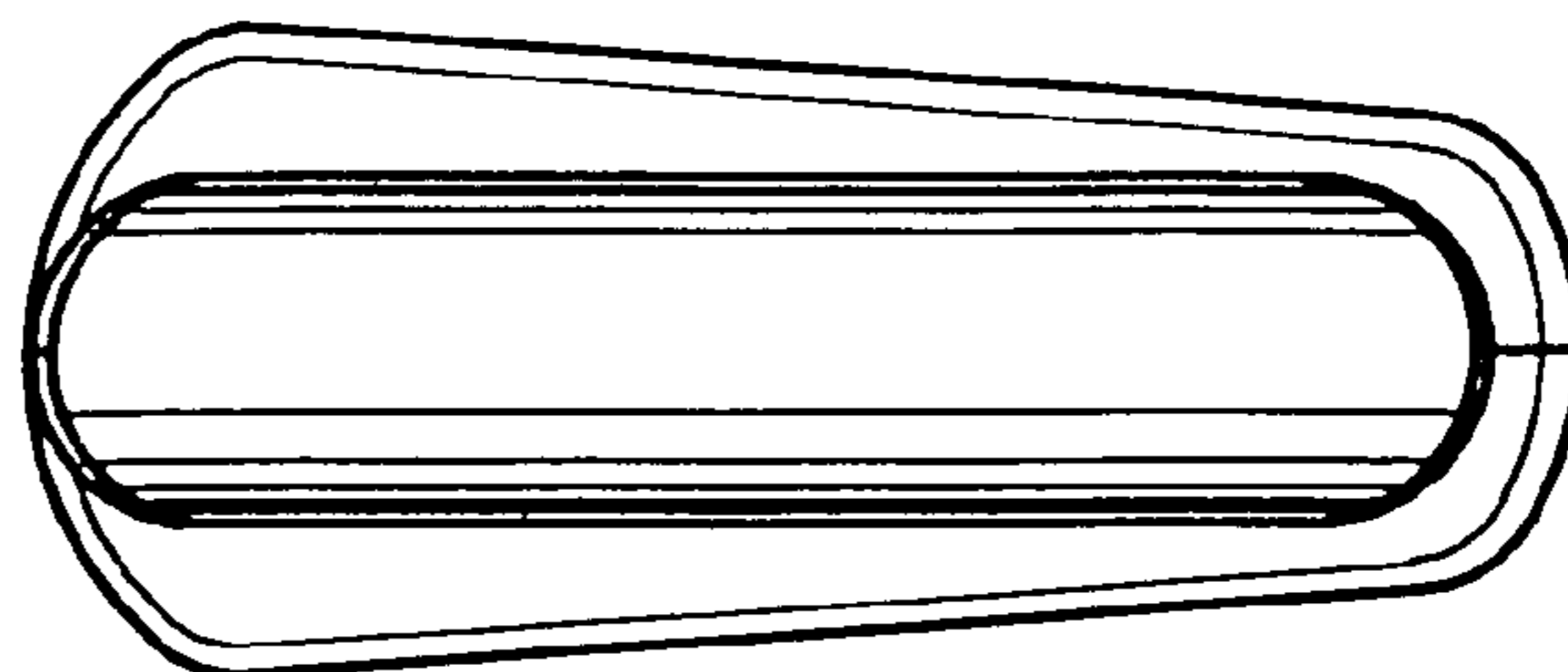


FIG. 9

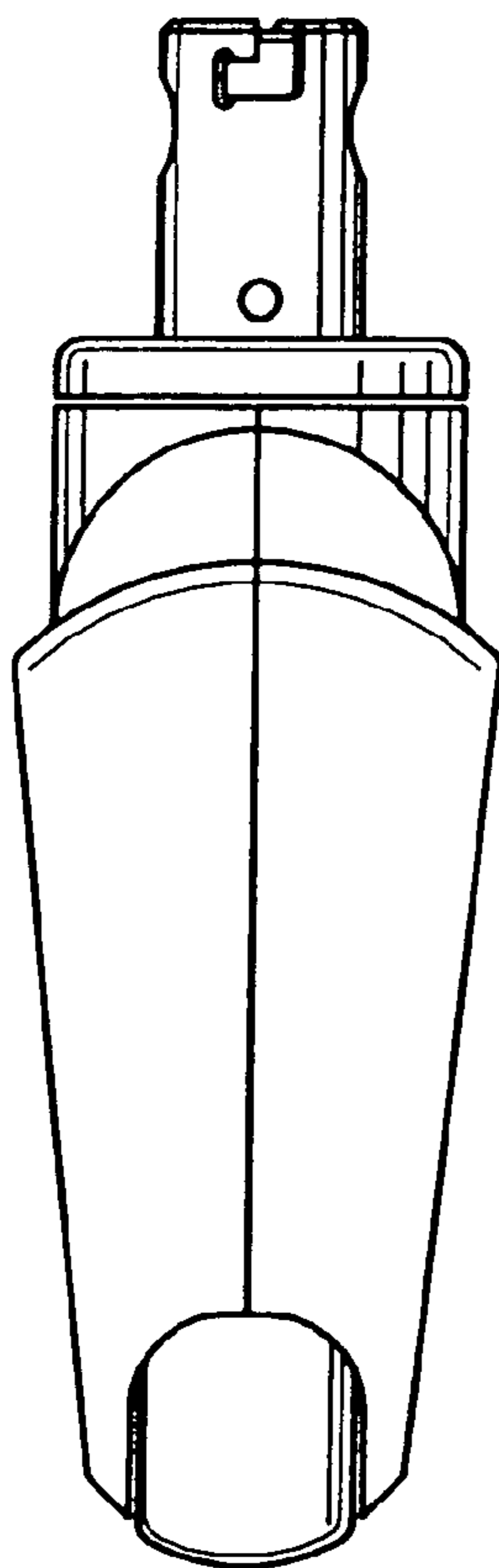


FIG. 7

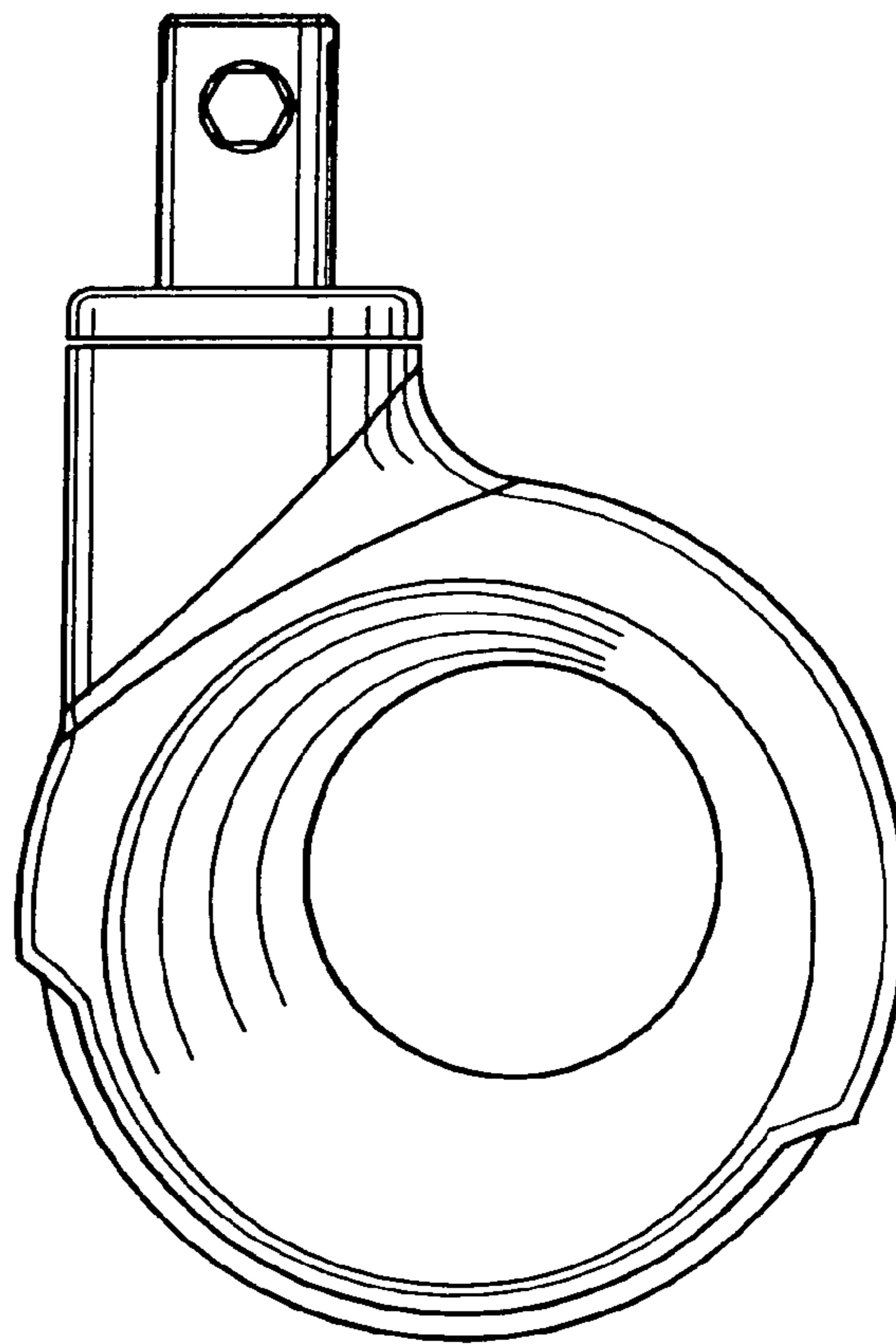


FIG. 8

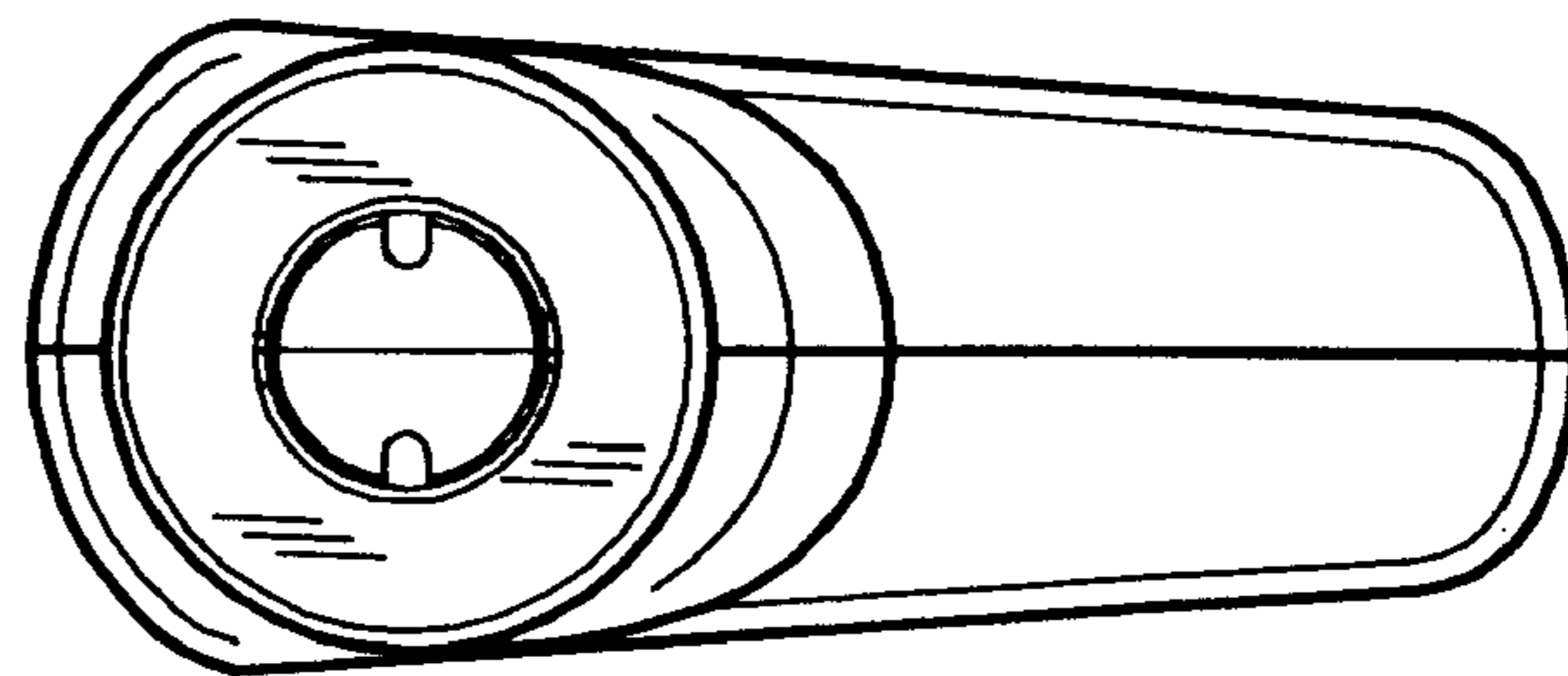


FIG. 10

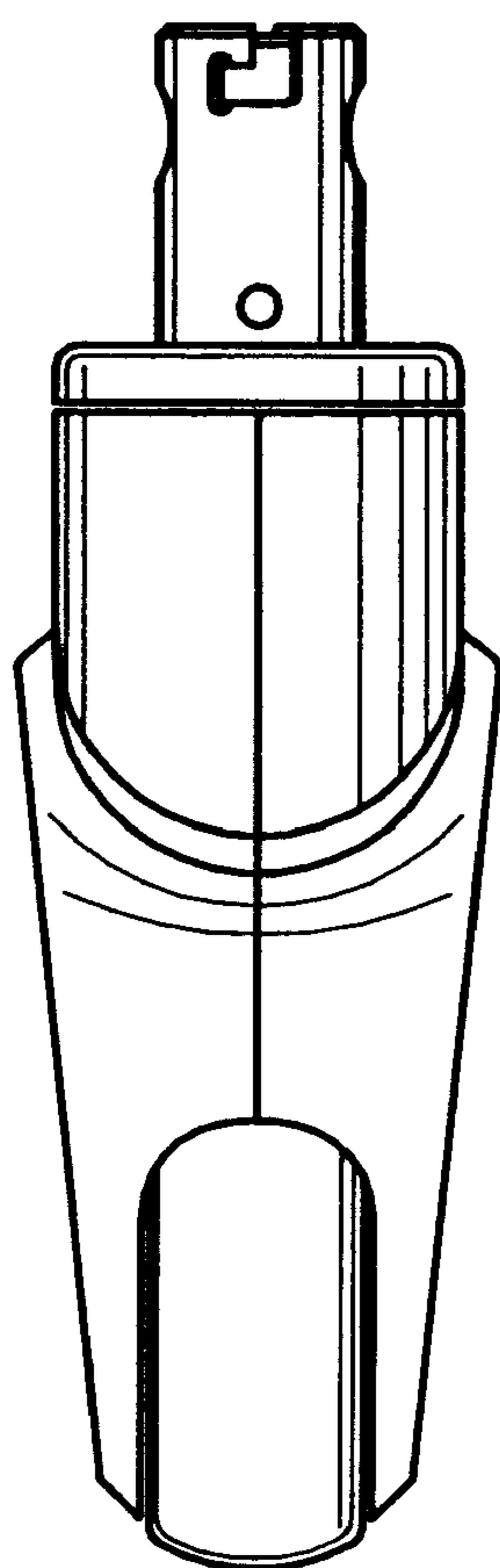


FIG. 11

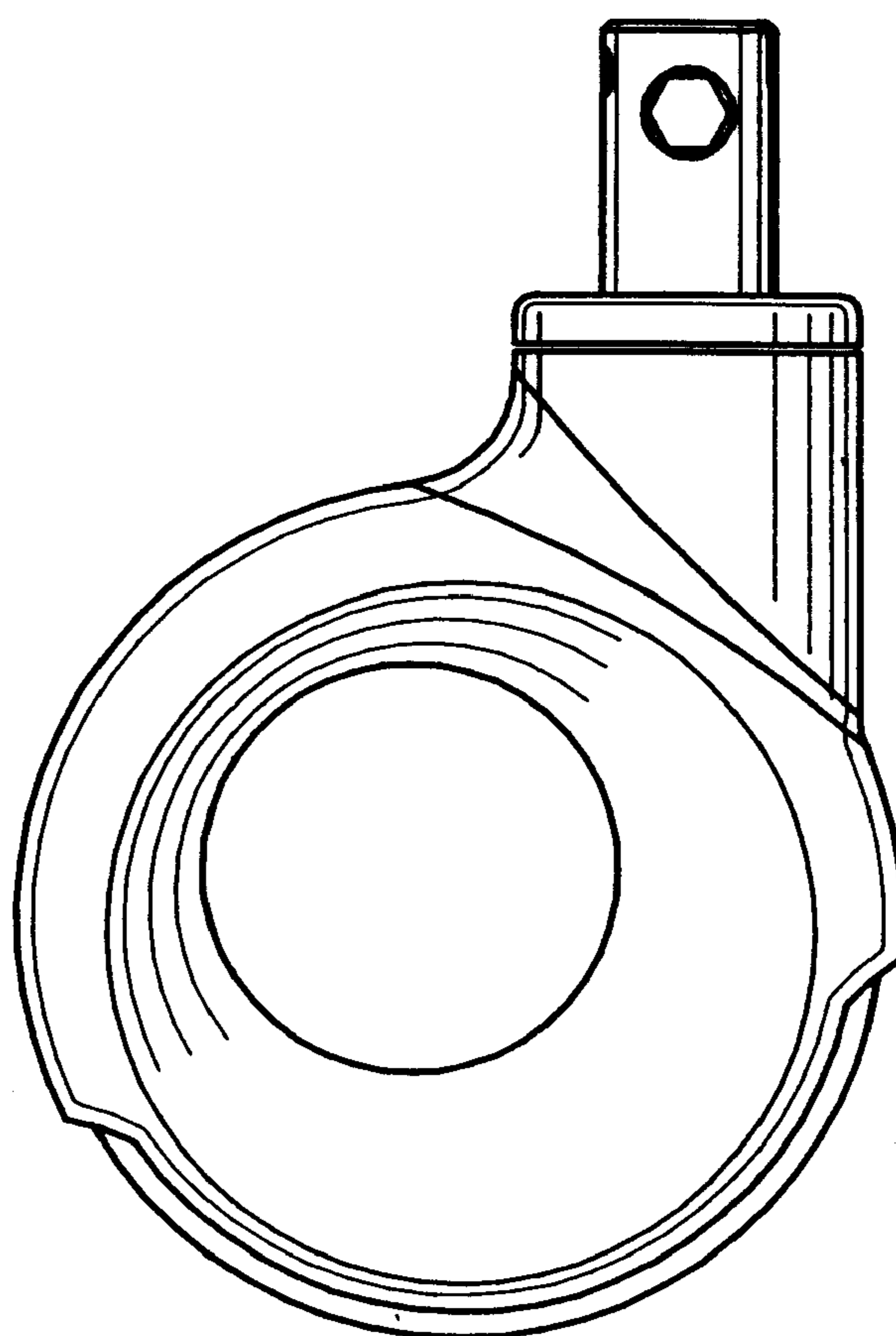


FIG. 12

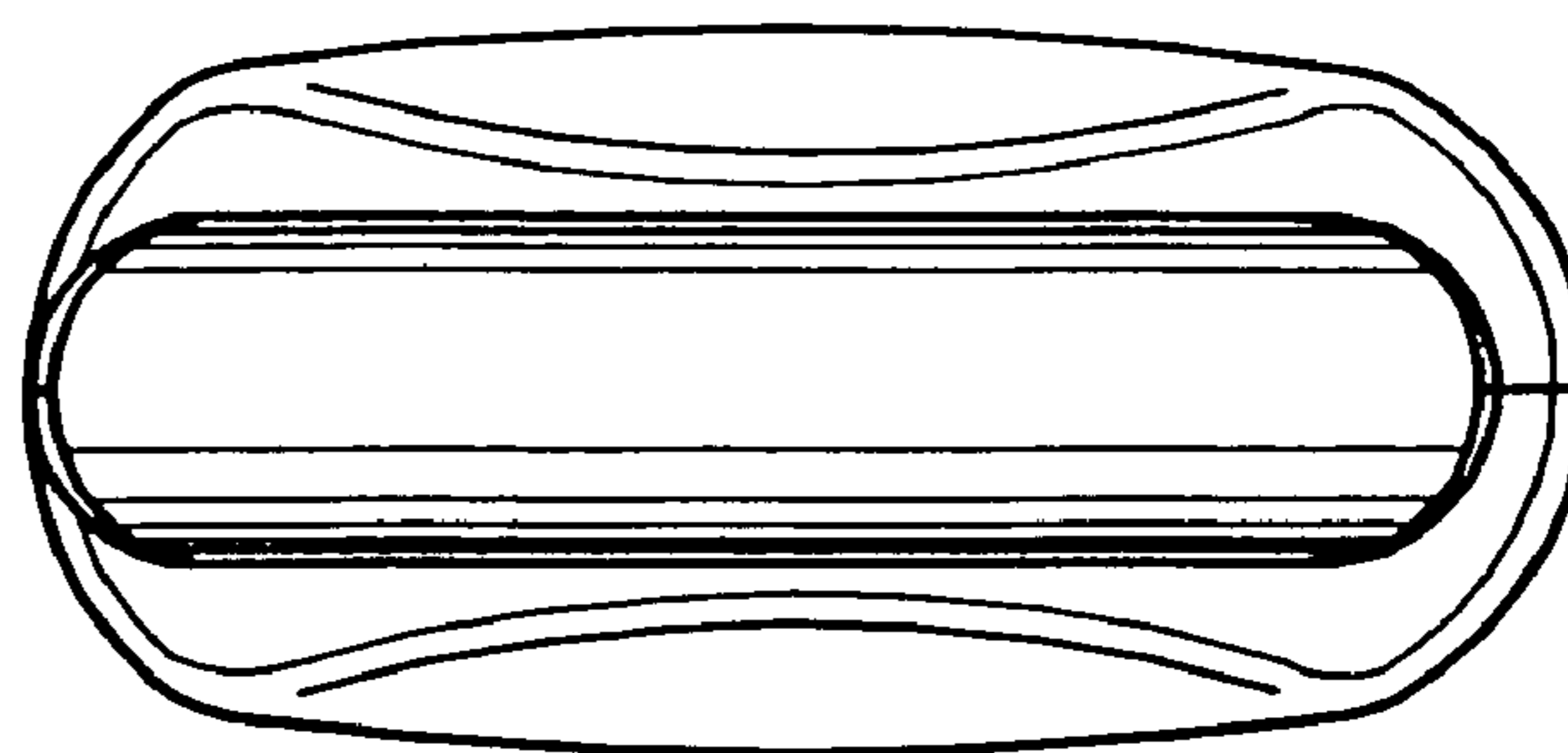


FIG. 15

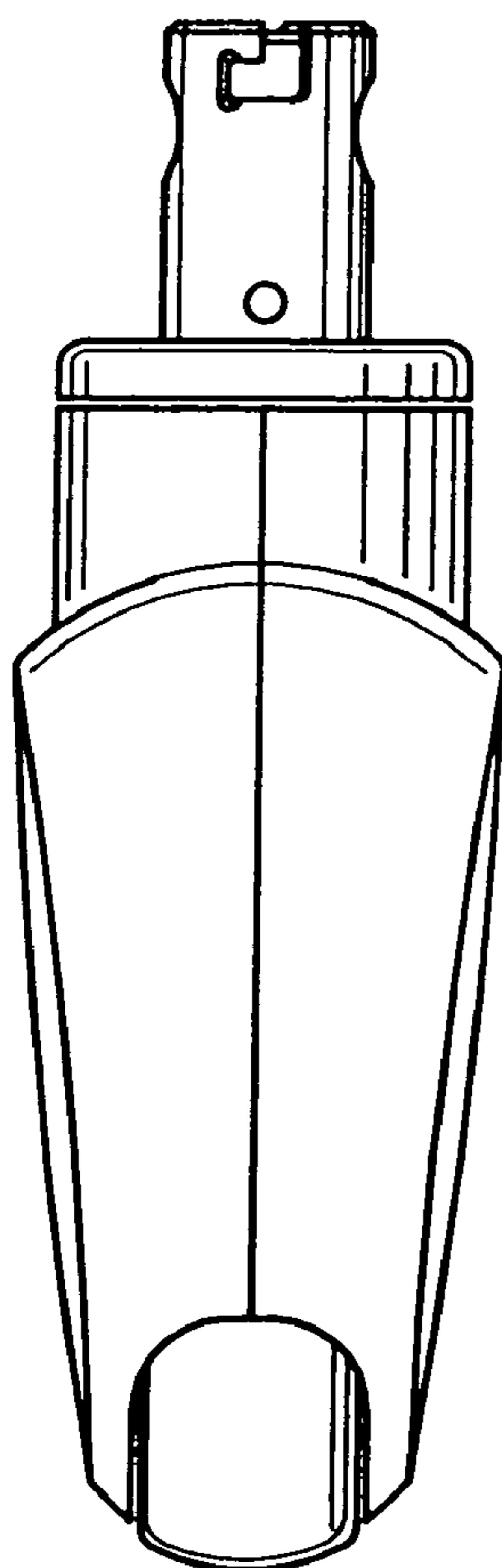


FIG. 13

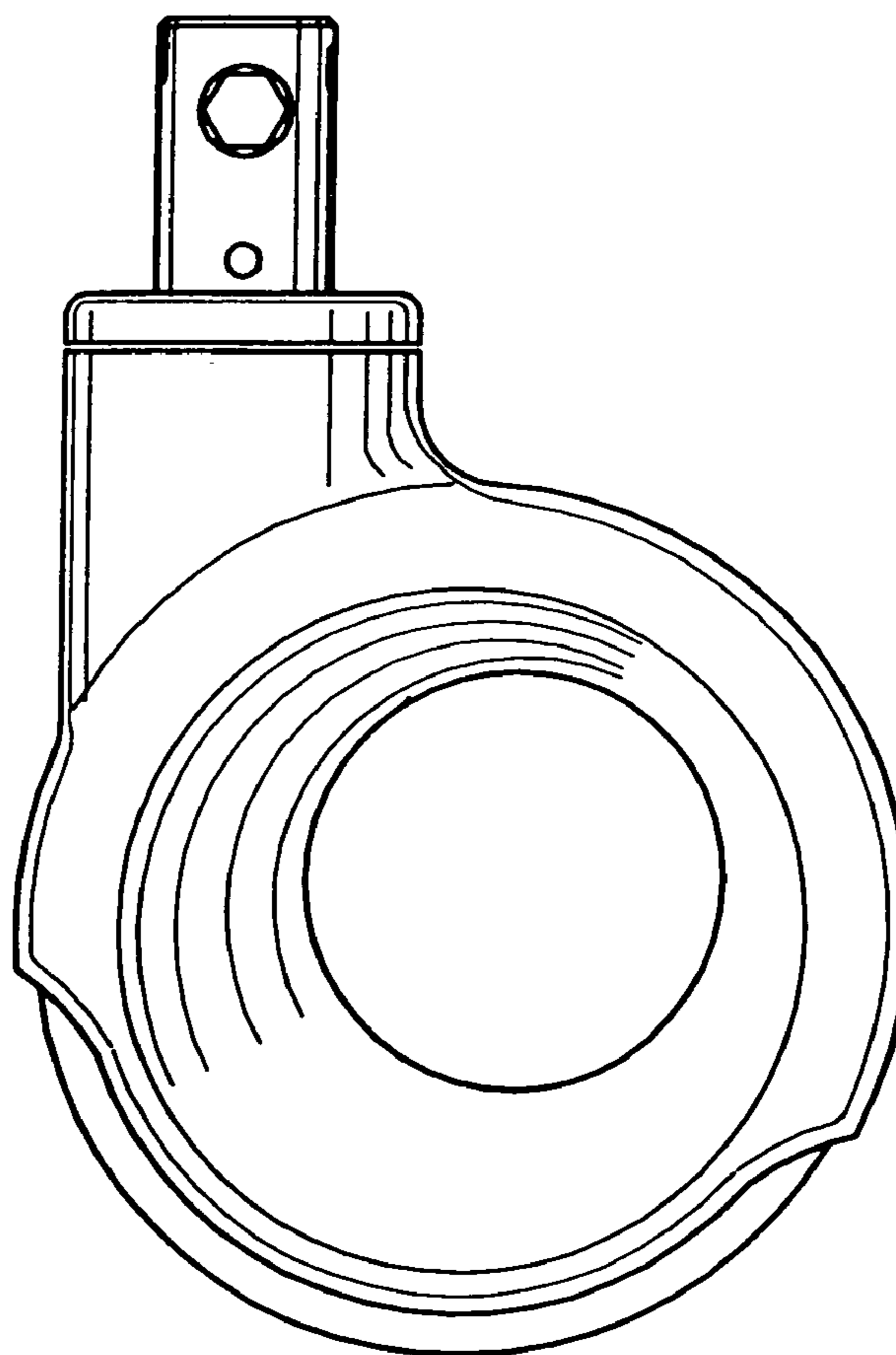


FIG. 14

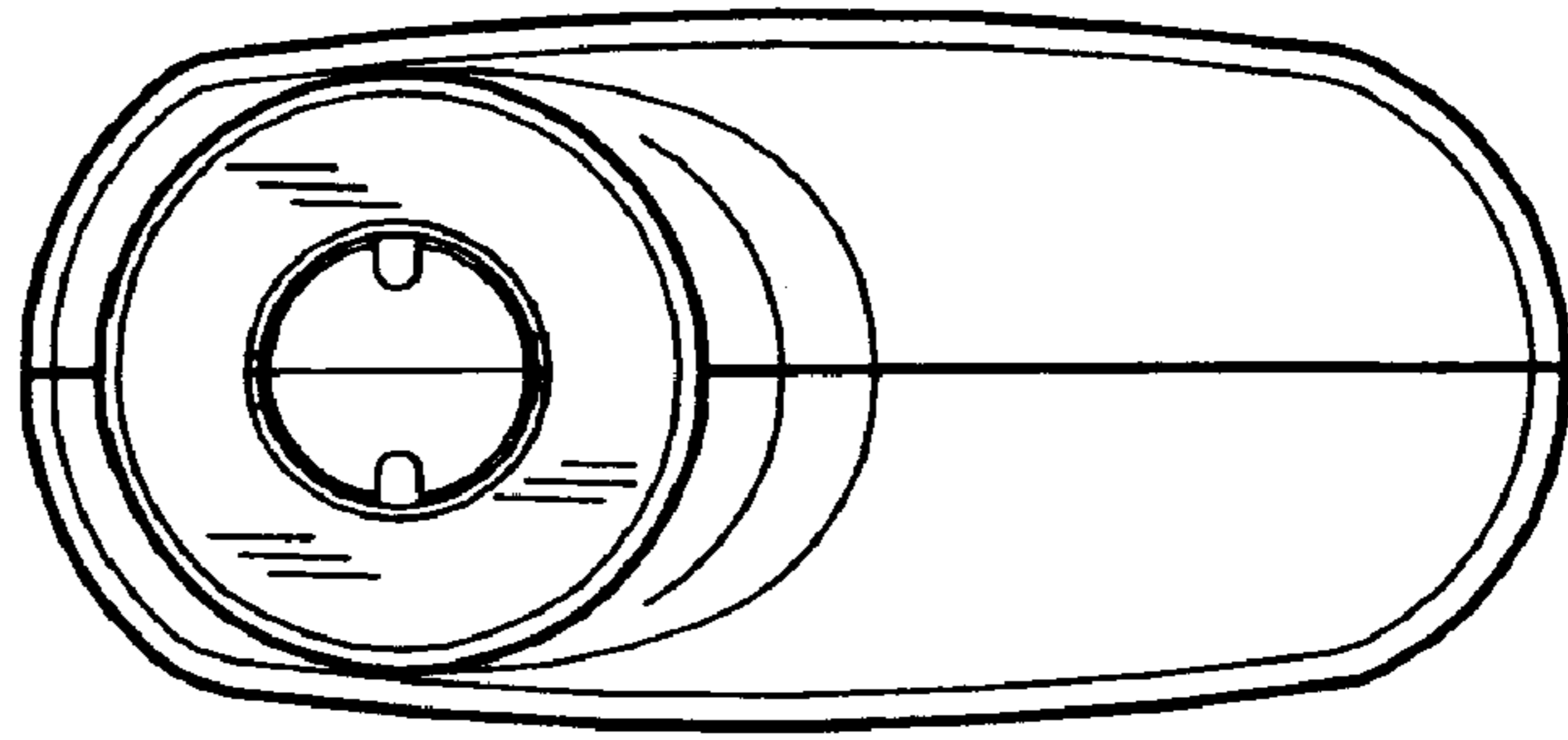


FIG. 16

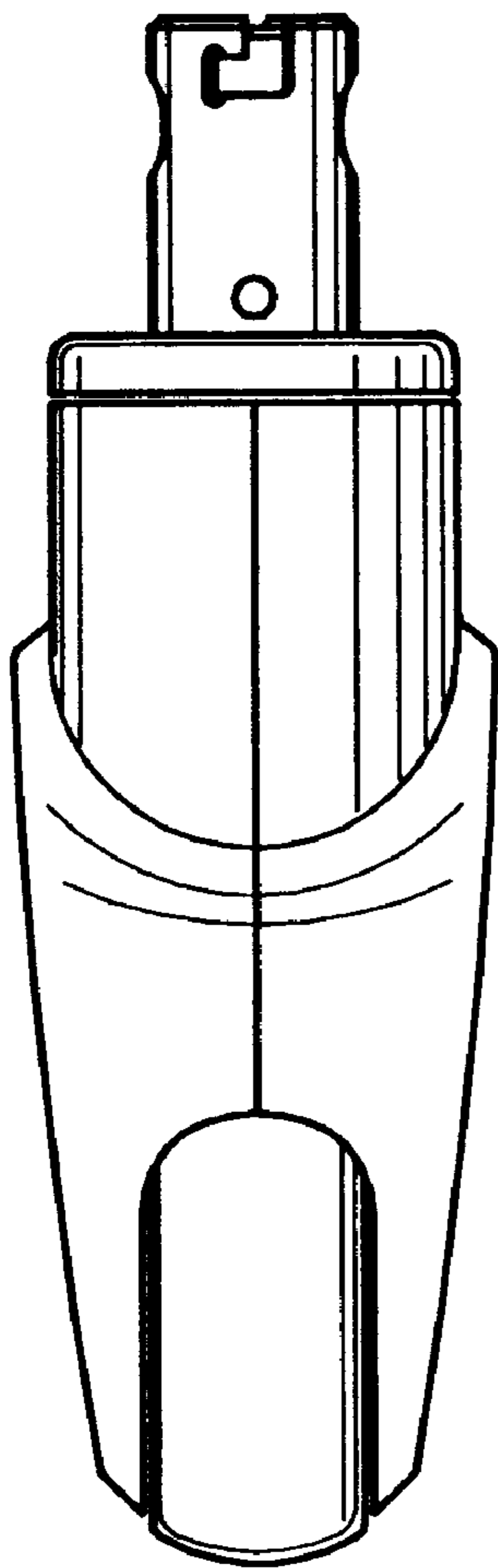


FIG. 17

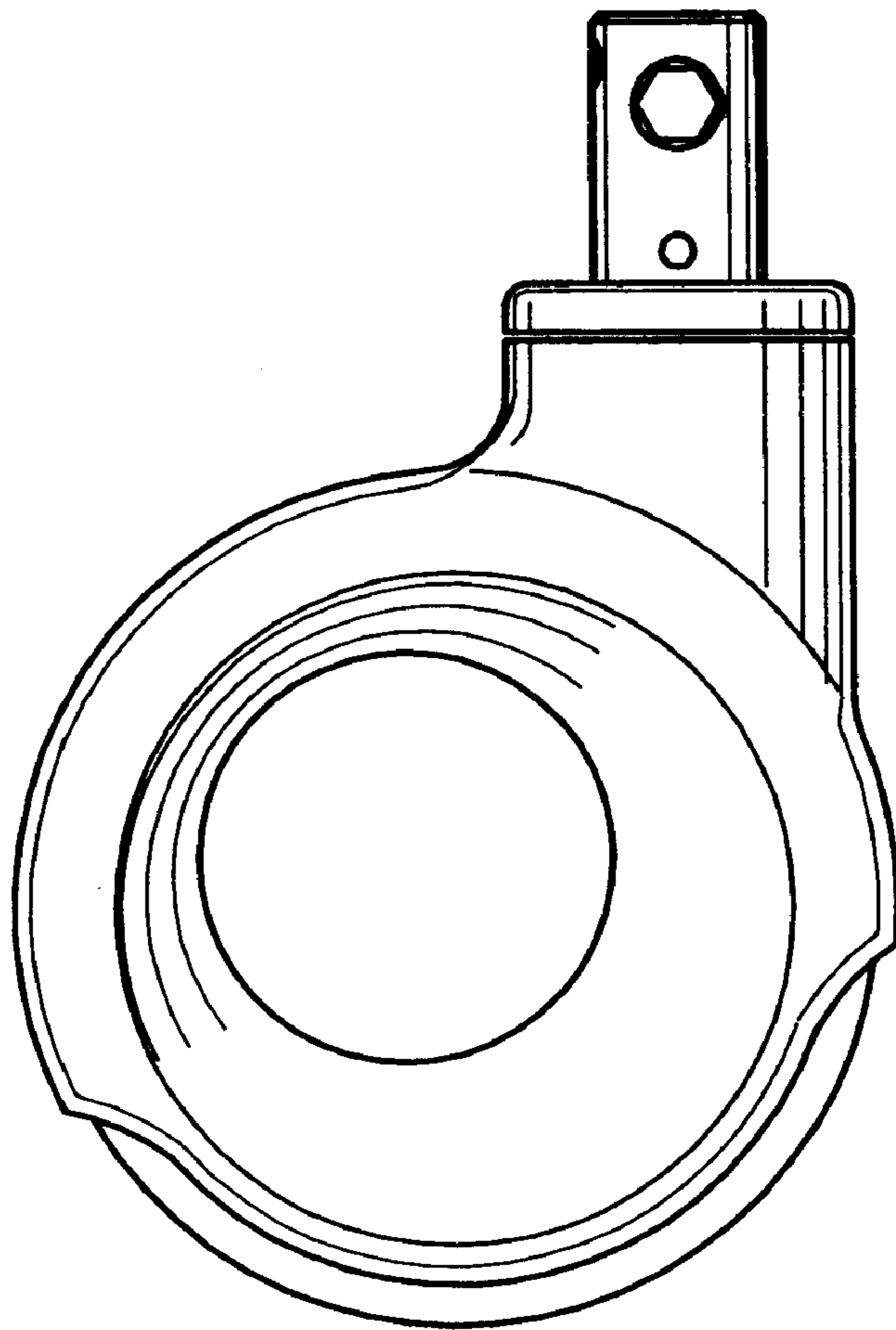


FIG. 18