



US00D545667S

(12) **United States Design Patent** (10) **Patent No.:** **US D545,667 S**  
**Weinerman et al.** (45) **Date of Patent:** **\*\* Jul. 3, 2007**

(54) **PORTIONS OF A LATCH ASSEMBLY**

*Primary Examiner*—Mitchell Siegel  
(74) *Attorney, Agent, or Firm*—David A. Burge

(75) Inventors: **Lee S. Weinerman**, Medina, OH (US);  
**Scott A. Arthurs**, Brunswick, OH (US);  
**Arthur J. Kuminski**, Parma, OH (US)

(57) **CLAIM**

(73) Assignee: **The Eastern Company**, Cleveland, OH (US)

We claim the ornamental design for portions of a latch assembly, as shown and described.

(\*\*) Term: **14 Years**

**DESCRIPTION**

(21) Appl. No.: **29/270,355**

(22) Filed: **Dec. 20, 2006**

**Related U.S. Application Data**

(62) Division of application No. 29/233,172, filed on Jun. 29, 2005, now Pat. No. Des. 536,949.

(51) **LOC (8) Cl.** ..... **08-07**

(52) **U.S. Cl.** ..... **D8/331**

(58) **Field of Classification Search** ..... D8/330–348;  
70/141, 208; 292/336.3, 169, 358, 359, 170,  
292/175, 165, 224, 140–143, 240–242, DIG. 14,  
292/DIG. 30, DIG. 31, DIG. 38, DIG. 4  
See application file for complete search history.

FIG. 1 is a perspective view showing front, left and first end features of one form of portions of a latch assembly showing our new design;

FIG. 2 is a front view thereof;

FIG. 3 is a left side view thereof, it being understood that a right side view is identical hereto but a mirror image reversal hereof;

FIG. 4 is a first end view thereof;

FIG. 5 is an opposite end view thereof;

FIG. 6 is a rear view thereof;

FIG. 7 is a perspective view showing front, left and first end features of another form of our new design;

FIG. 8 is a front view thereof;

FIG. 9 is a left side view thereof, it being understood that a right side view is identical hereto but a mirror image reversal hereof;

FIG. 10 is a first end view thereof;

FIG. 11 is an opposite end view thereof; and,

FIG. 12 is a rear view thereof.

The broken line disclosure in the drawings is provided for illustrative purposes only and forms no part of the claimed design.

(56) **References Cited**

**U.S. PATENT DOCUMENTS**

1,035,073 A 8/1912 Augenbraun ..... 70/150

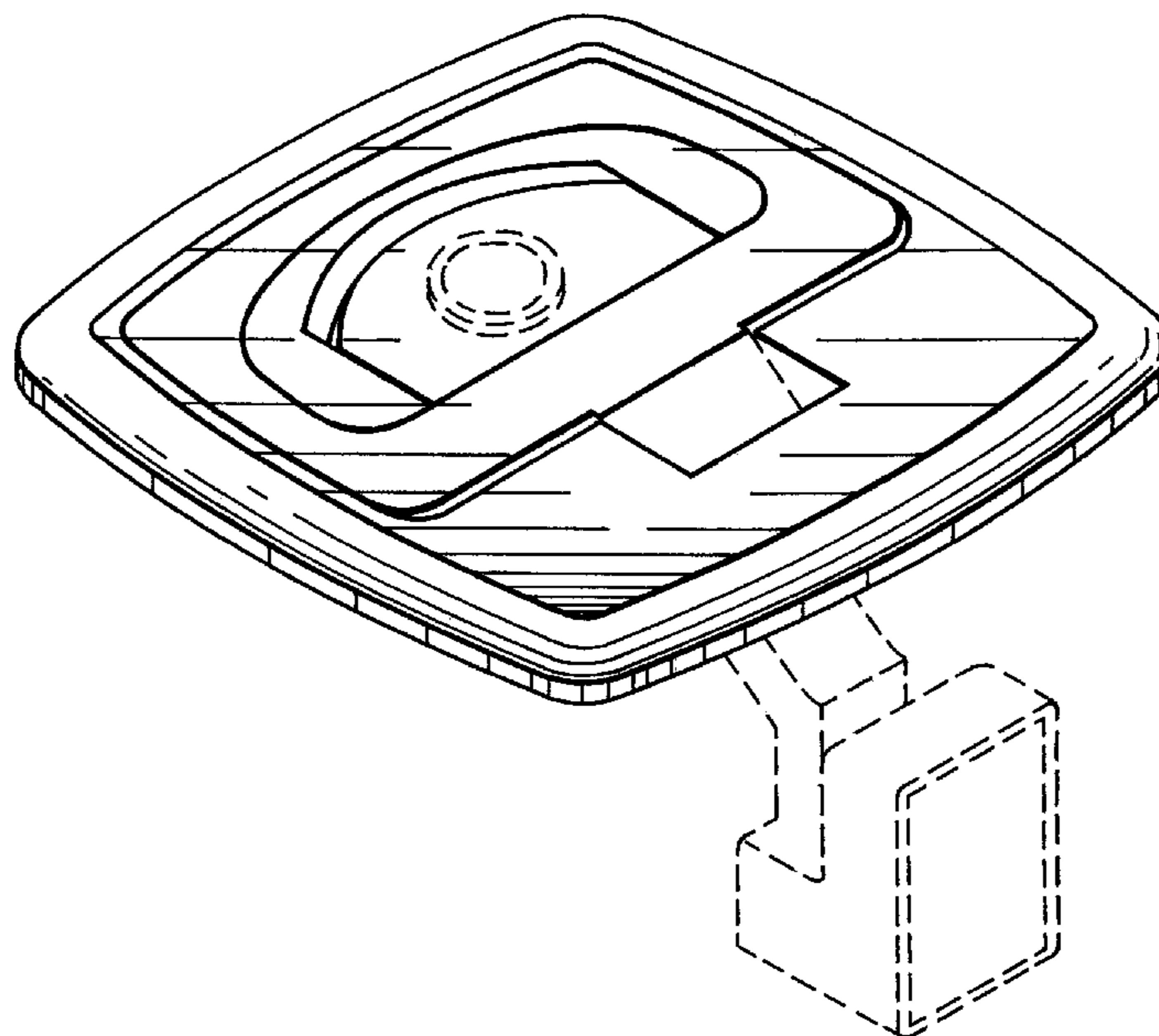
(Continued)

**OTHER PUBLICATIONS**

Eberhard Manufacturing Co, Cleveland, OH— Catalog 107, © 1996. p. 164 Entitled “Tie Down” Showing Product Nos. 170,172,3-172 & 1170-8.

(Continued)

**1 Claim, 8 Drawing Sheets**



# US D545,667 S

Page 2

## U.S. PATENT DOCUMENTS

1,877,612 A	9/1932	Stieglitz .....	70/153	D409,473 S	5/1999	Tieu .....	D8/342
2,136,854 A	11/1938	Knutt .....	292/169	5,913,908 A	6/1999	Czipri .....	70/208
D210,152 S	2/1968	Pastva, Jr. ....	D50/5	D413,056 S	8/1999	Sokurenko et al. ....	D8/331
D210,153 S	2/1968	Pastva, Jr. ....	D50/5	D429,141 S	8/2000	Antonucci et al. ....	D8/331
3,389,932 A	6/1968	Pastva, Jr. ....	292/173	6,109,669 A	8/2000	Pinkow .....	292/175
3,495,862 A	2/1970	McClintock .....	292/173	D457,803 S	5/2002	Weinerman et al. ....	D8/338
4,098,101 A	7/1978	Svoboda .....	70/134	D459,192 S	6/2002	Weinerman et al. ....	D8/338
D271,562 S	11/1983	Weinerman et al. ....	D8/338	D465,400 S	11/2002	Moore et al. ....	D8/331
D281,665 S	12/1985	Weinerman et al. ....	D8/302	D475,602 S	6/2003	McCloskey .....	D8/331
4,589,163 A	5/1986	Weatherby et al. ....	16/443	6,709,030 B2	3/2004	Furlong .....	292/121
4,706,478 A	11/1987	Swan et al. ....	70/28	6,719,332 B2	4/2004	Sekulovic .....	292/170
4,858,973 A	8/1989	Ogasawara et al. ....	292/347	D489,958 S	5/2004	Jackson et al. ....	D8/331
D303,619 S	9/1989	Russell et al. ....	D8/313	D489,959 S	5/2004	Jackson et al. ....	D8/331
D303,922 S	10/1989	Russell et al. ....	D8/321	6,786,518 B2	9/2004	Vitry .....	292/165
D314,133 S	1/1991	Issard .....	D8/367	D497,098 S	10/2004	Magnusson .....	D8/331
5,011,202 A	4/1991	Kato et al. ....	292/336.3	6,866,442 B1	3/2005	Petersen .....	403/326
D323,970 S	2/1992	Schlack .....	D8/341	6,877,782 B2	4/2005	Magnusson .....	292/170
D324,636 S	3/1992	Schlack et al. ....	D8/331	D504,803 S	5/2005	Misner et al. ....	D8/302
D328,231 S	7/1992	Hansen .....	D8/301	D506,120 S	6/2005	Straka, Jr. et al. ....	D8/331
D339,050 S	9/1993	Gleason et al. ....	D8/301	D519,823 S	5/2006	Pickar et al. ....	D8/331
D357,396 S	4/1995	Ziemer et al. ....	D8/331				
5,413,391 A	5/1995	Calvin et al. ....	292/170				
D364,329 S	11/1995	Ziemer et al. ....	D8/331				
D370,620 S	6/1996	Ziemer .....	D8/341				

## OTHER PUBLICATIONS

Sinnons Hardware Company—Catalog p. 610, Published 1930  
Showing Product No. 234J & Other Products.

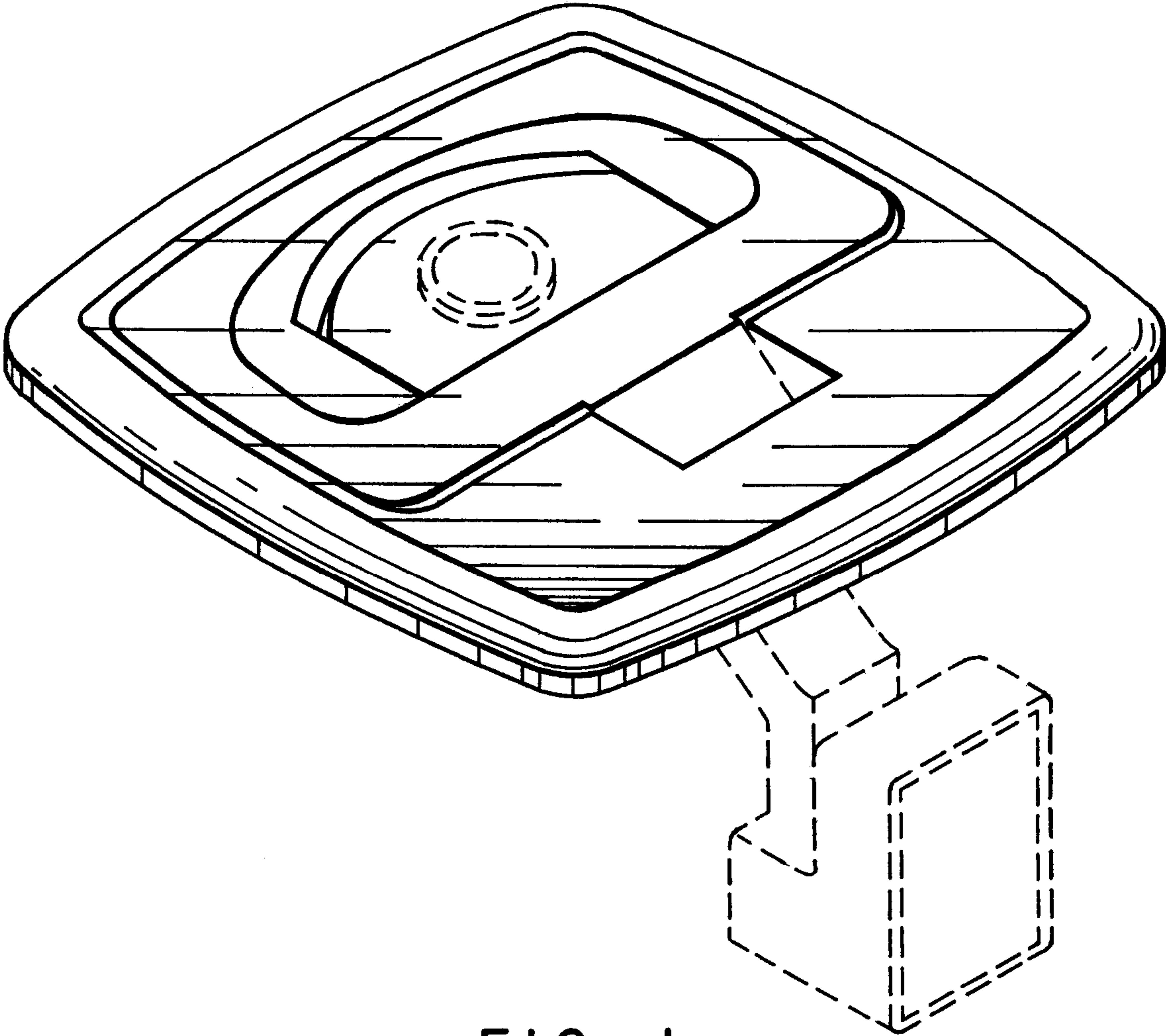


FIG. 1

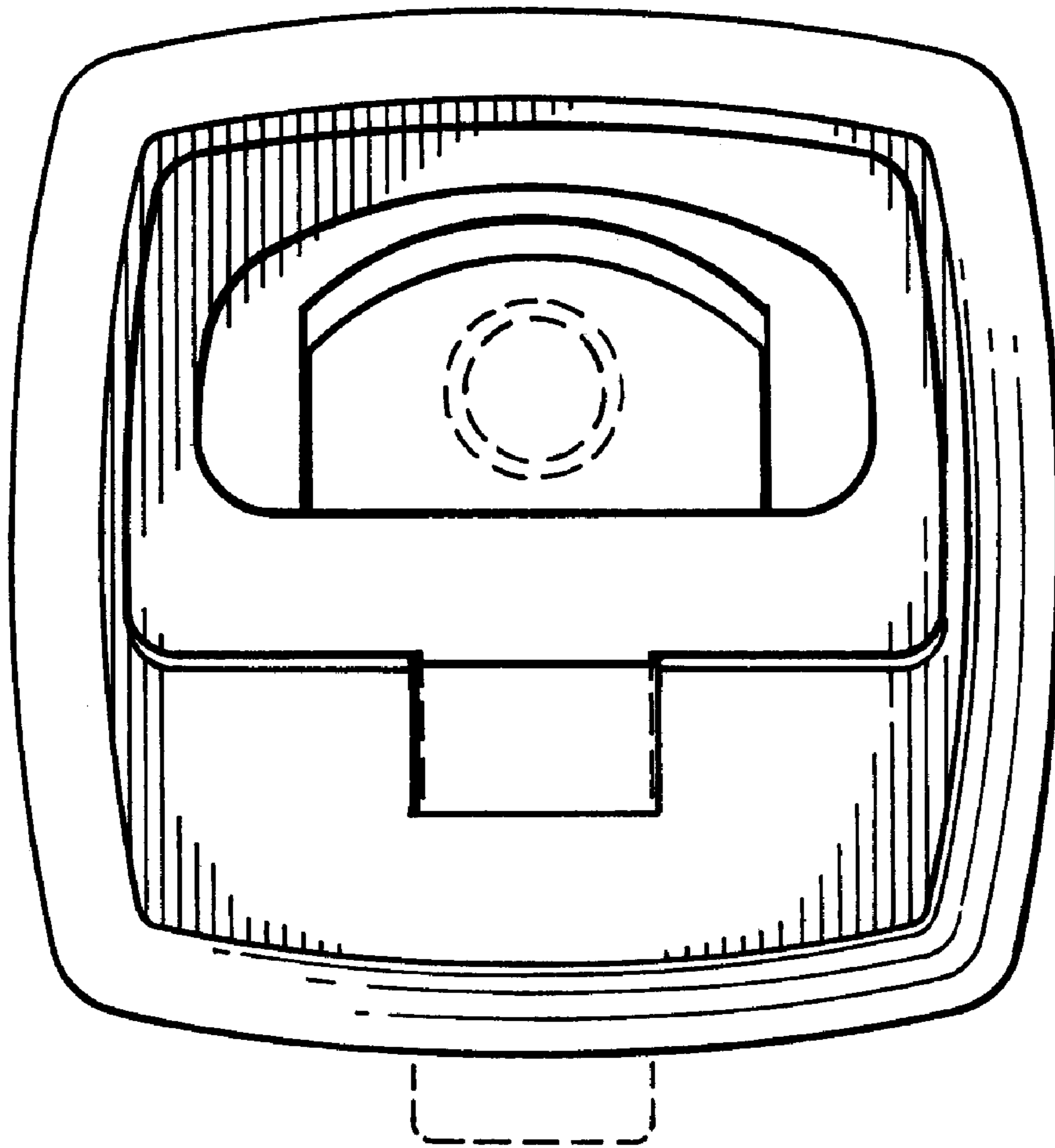


FIG. 2

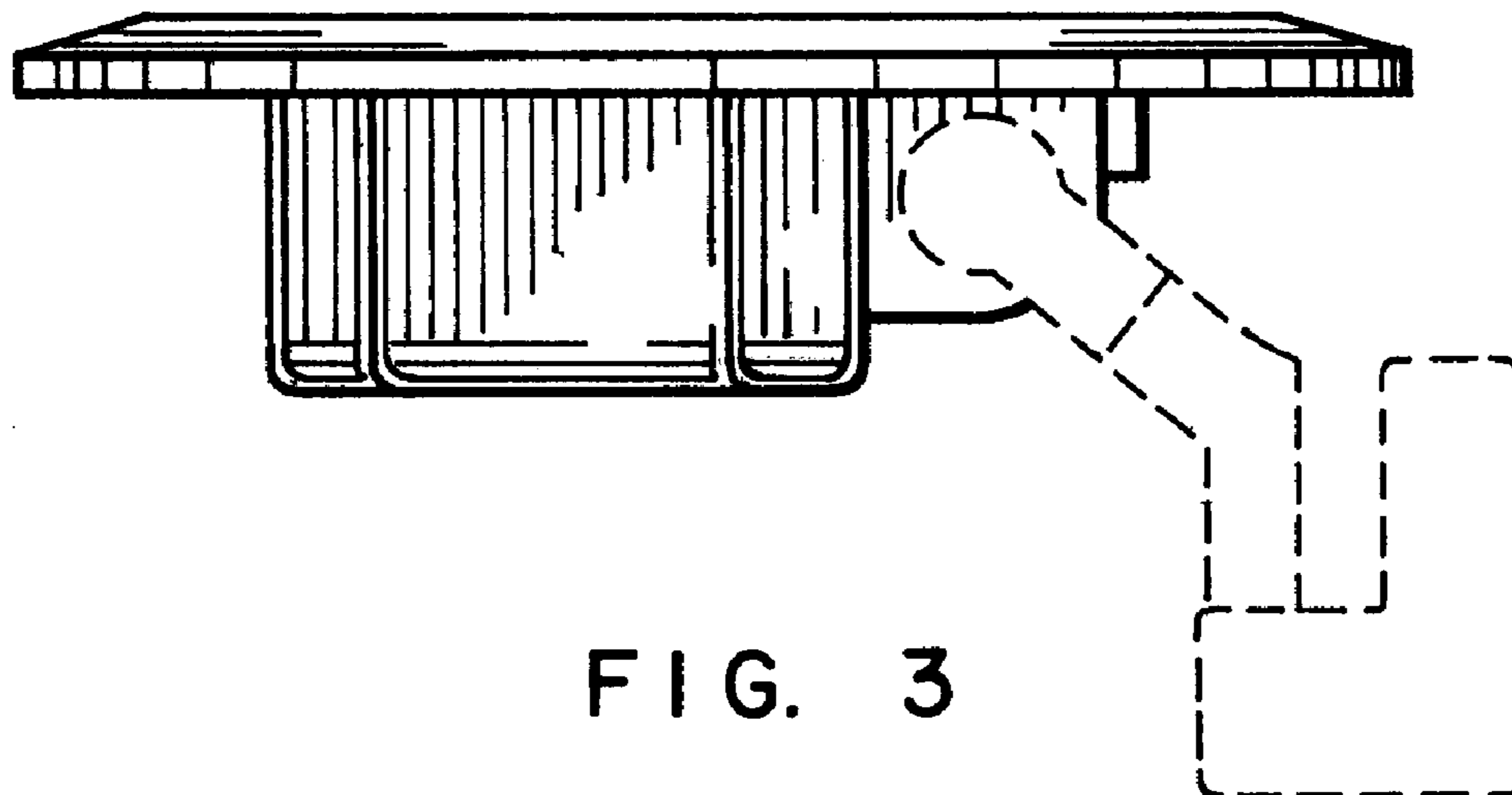


FIG. 3

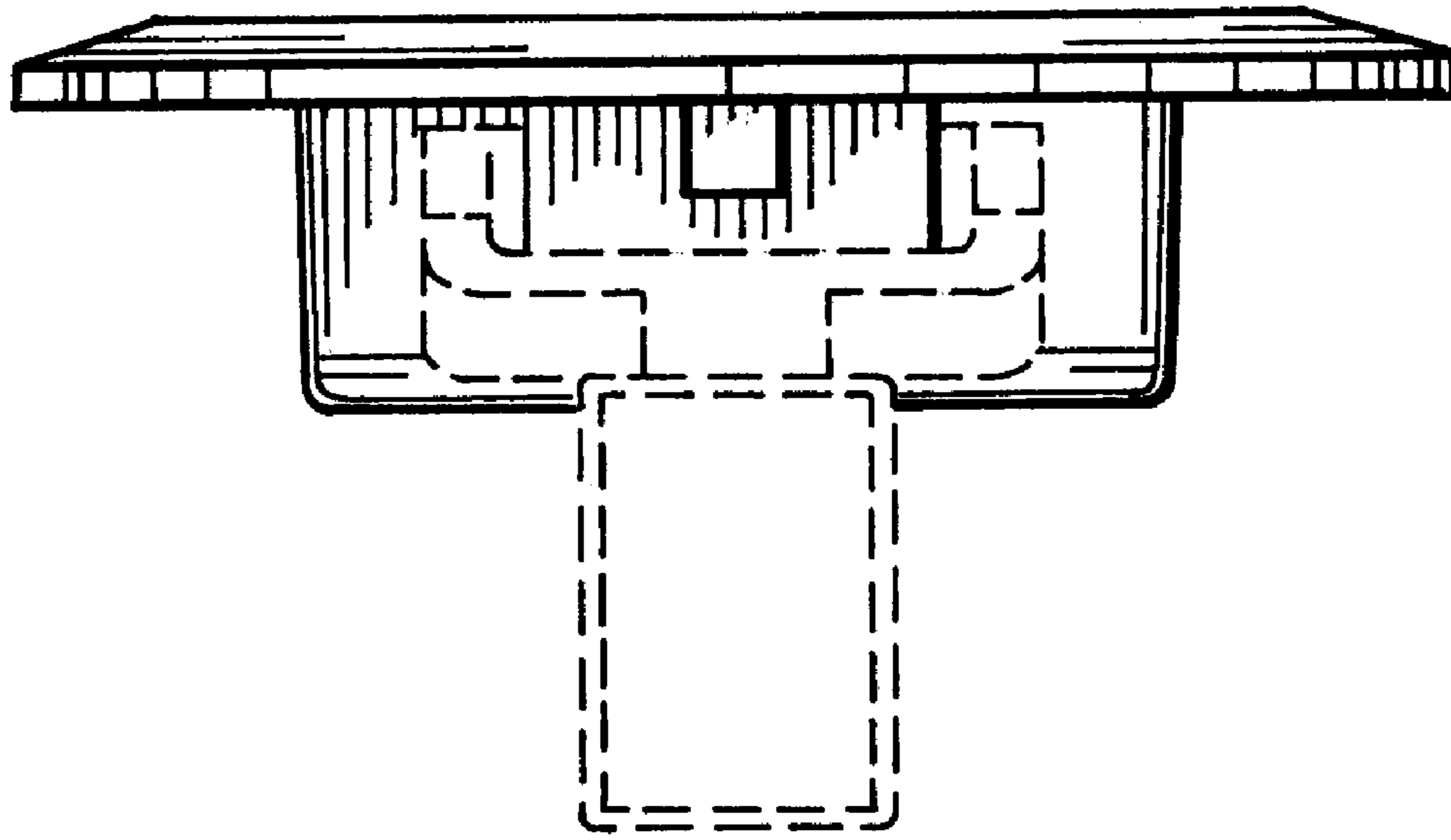


FIG. 4

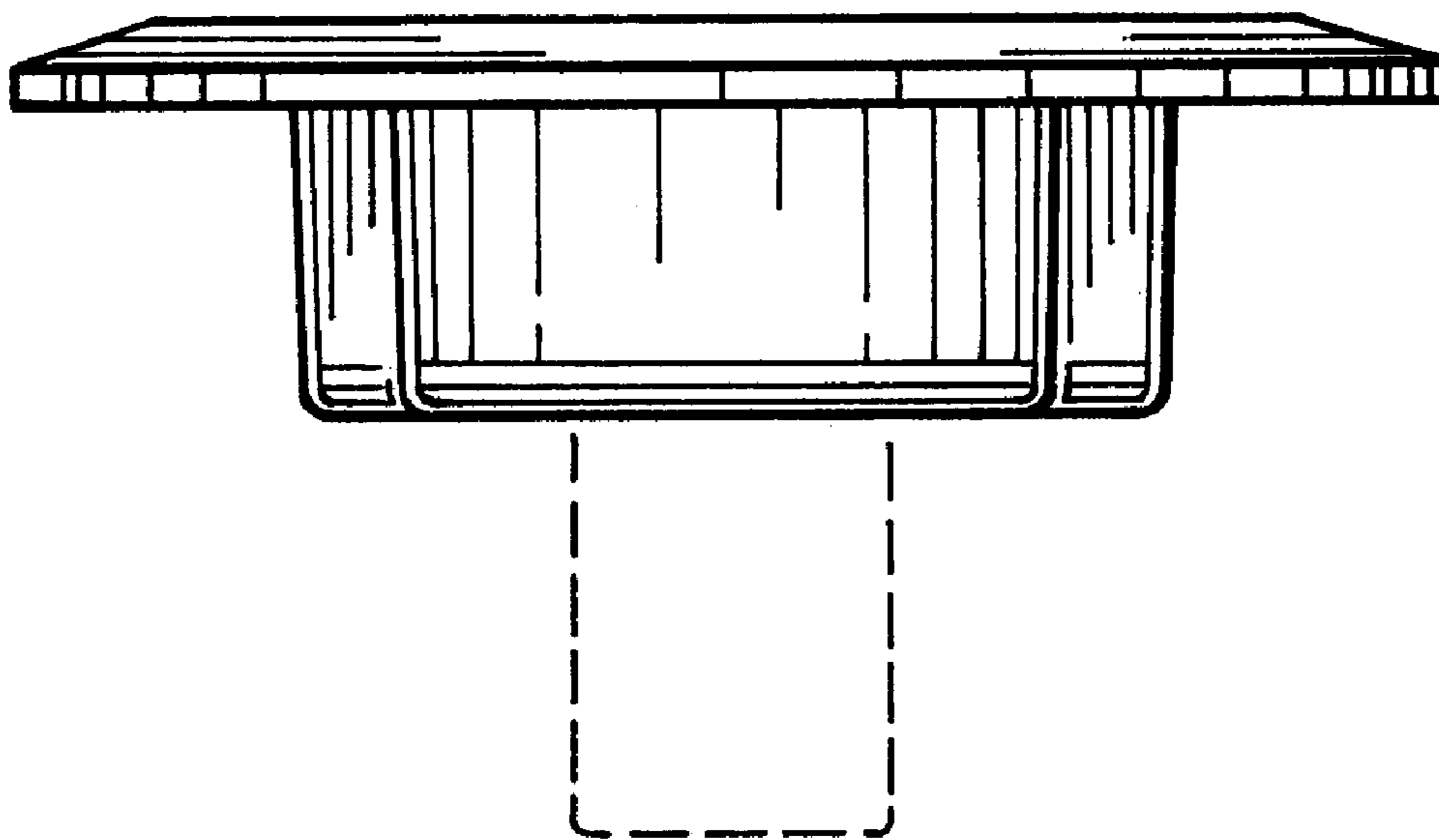


FIG. 5

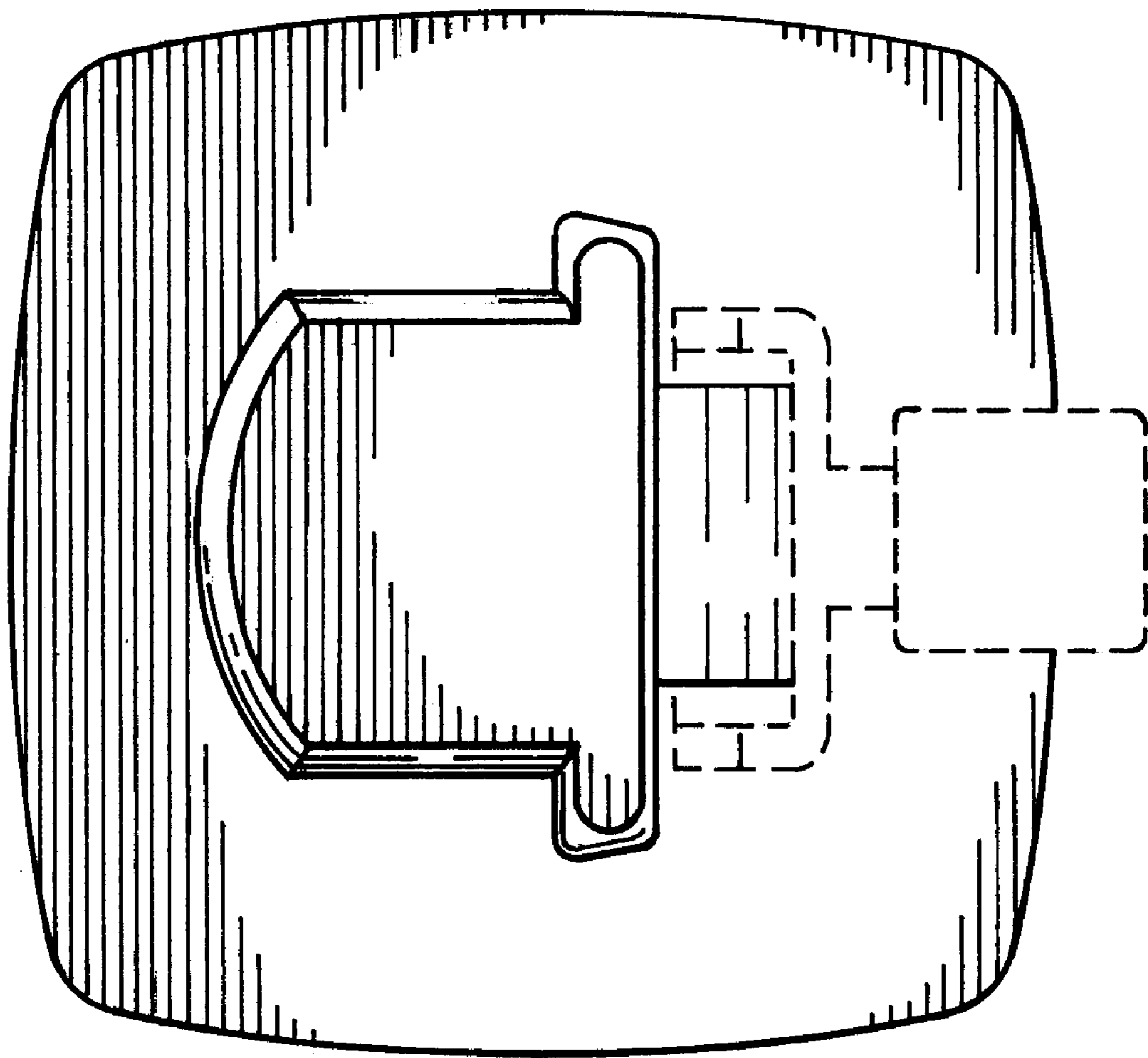


FIG. 6

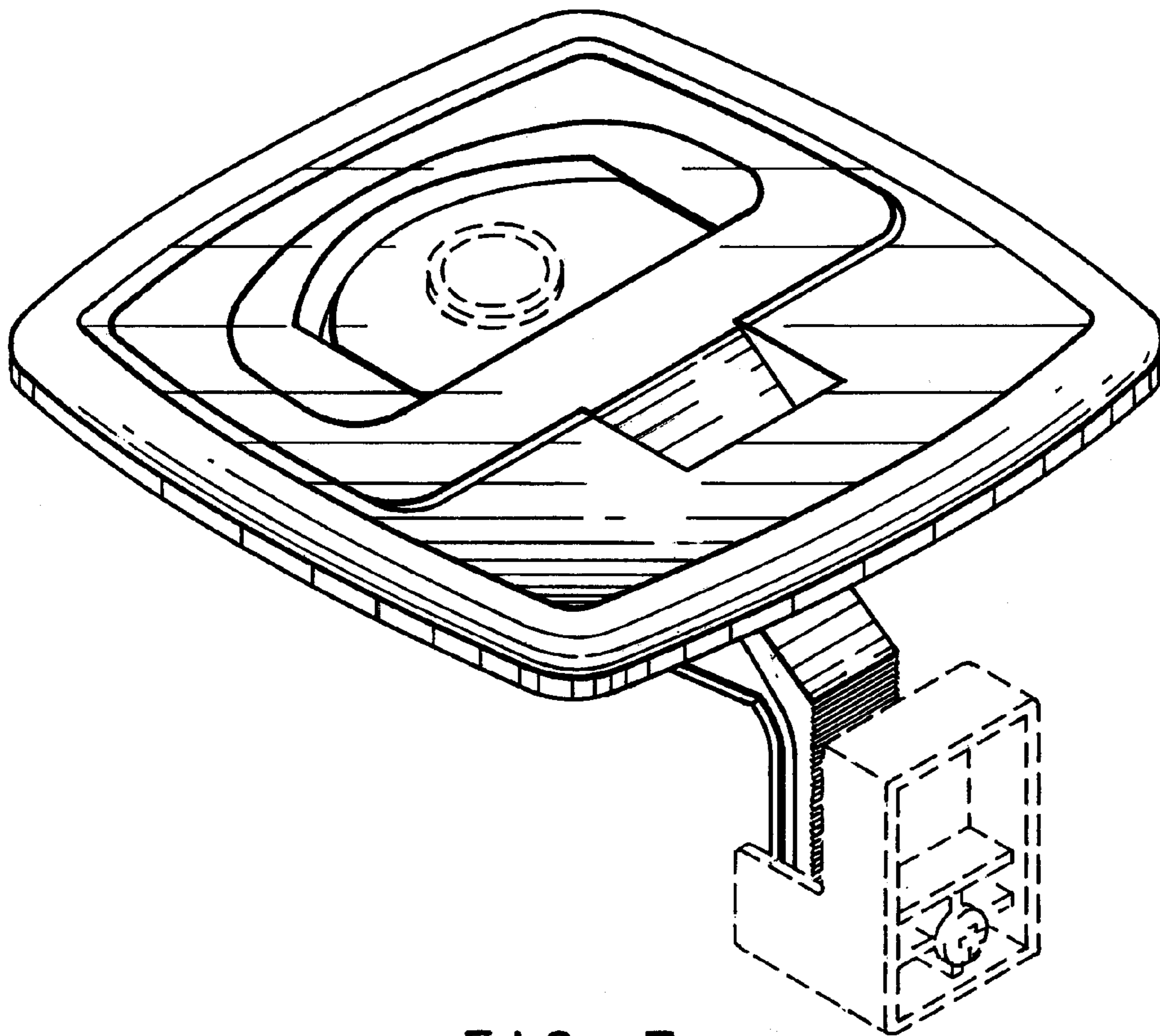


FIG. 7

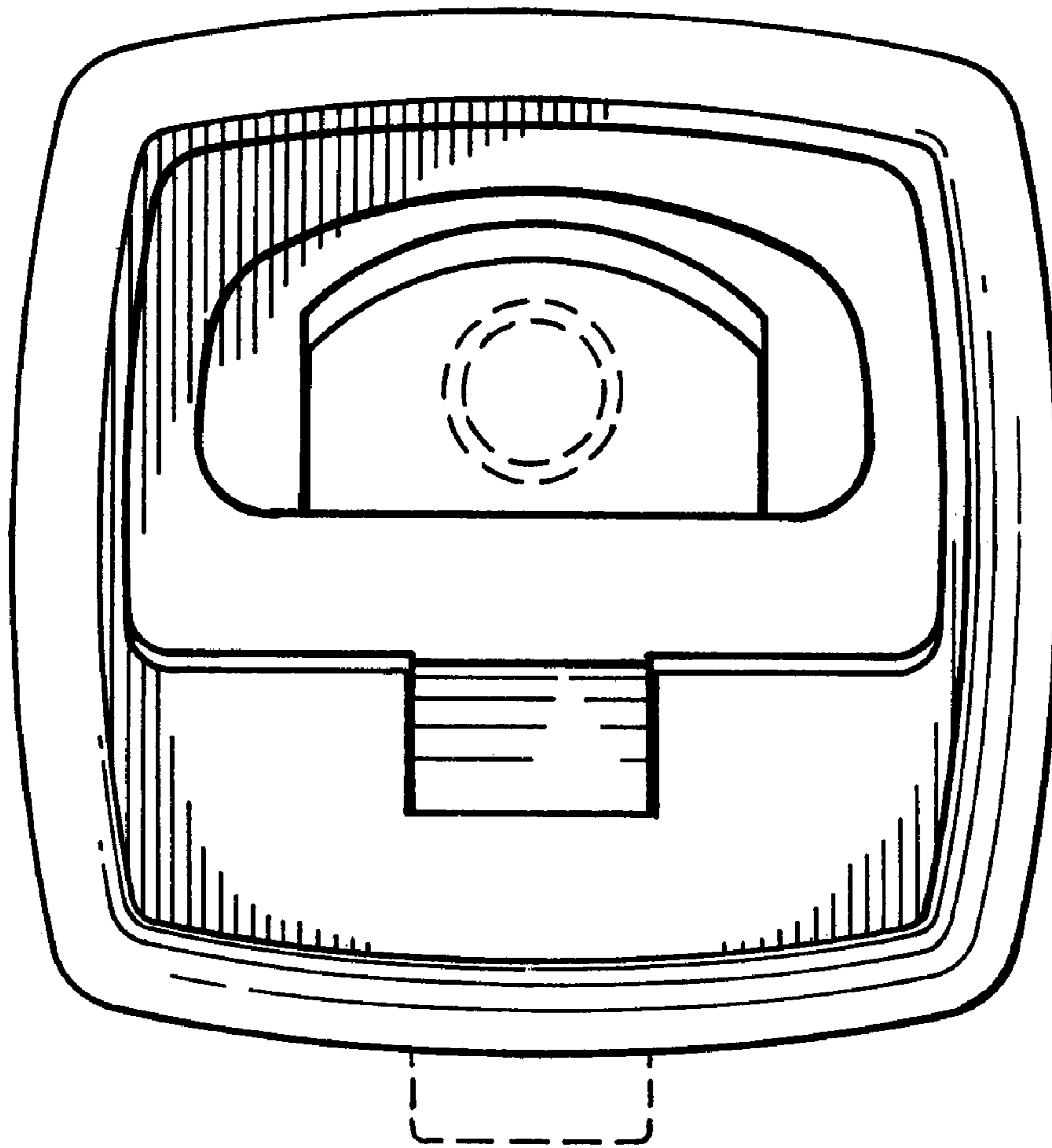


FIG. 8

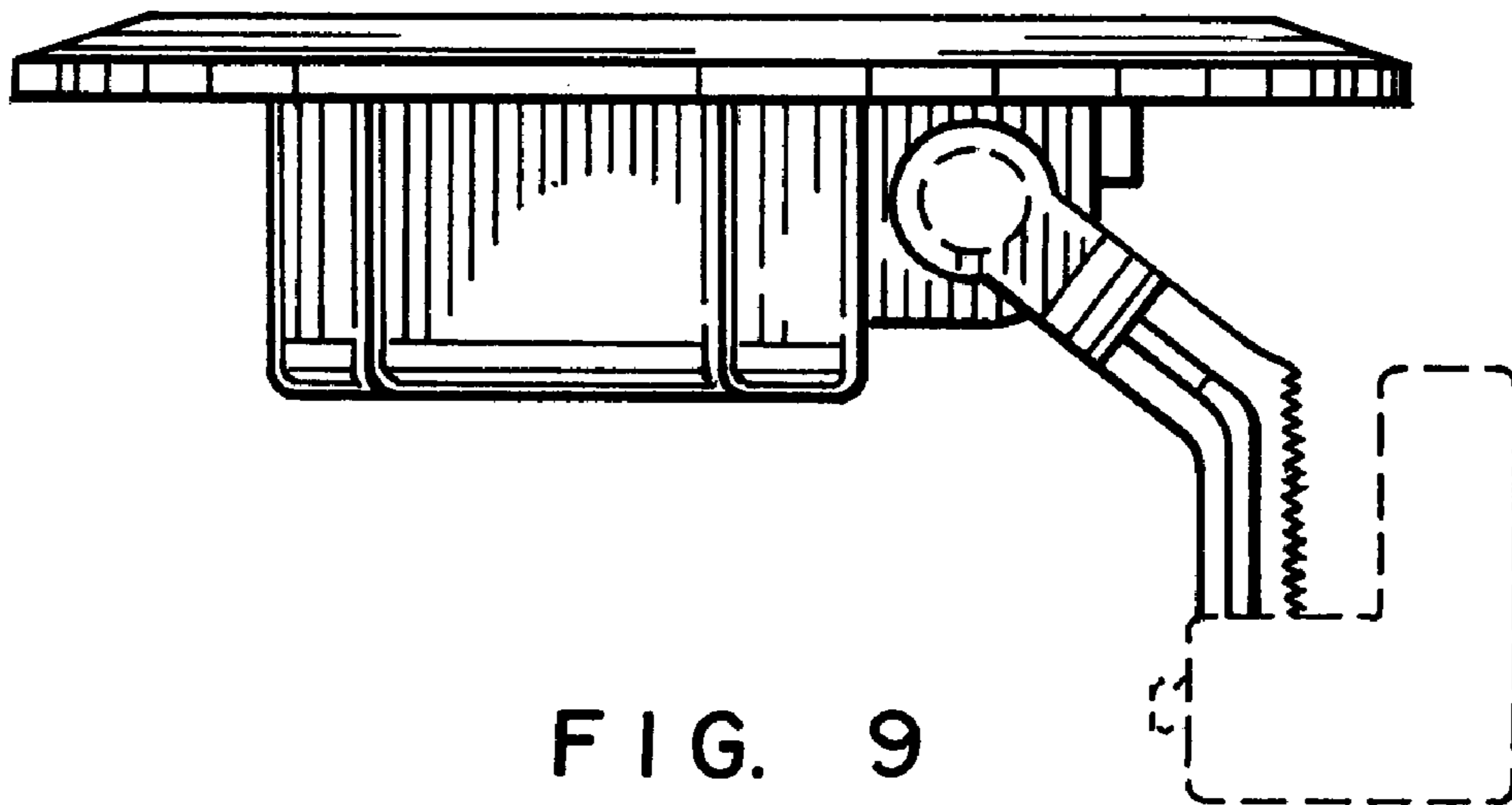


FIG. 9



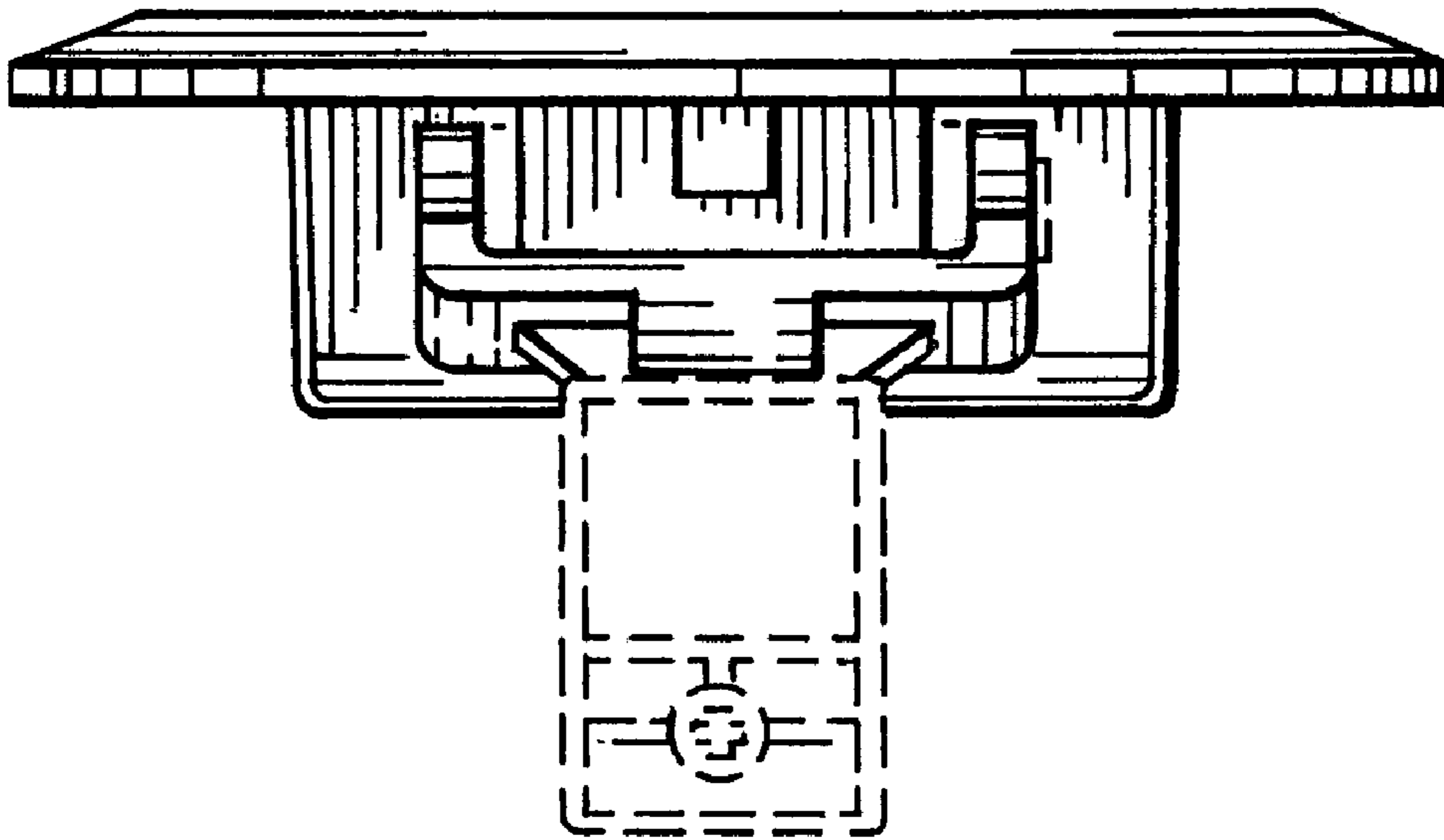


FIG. 10

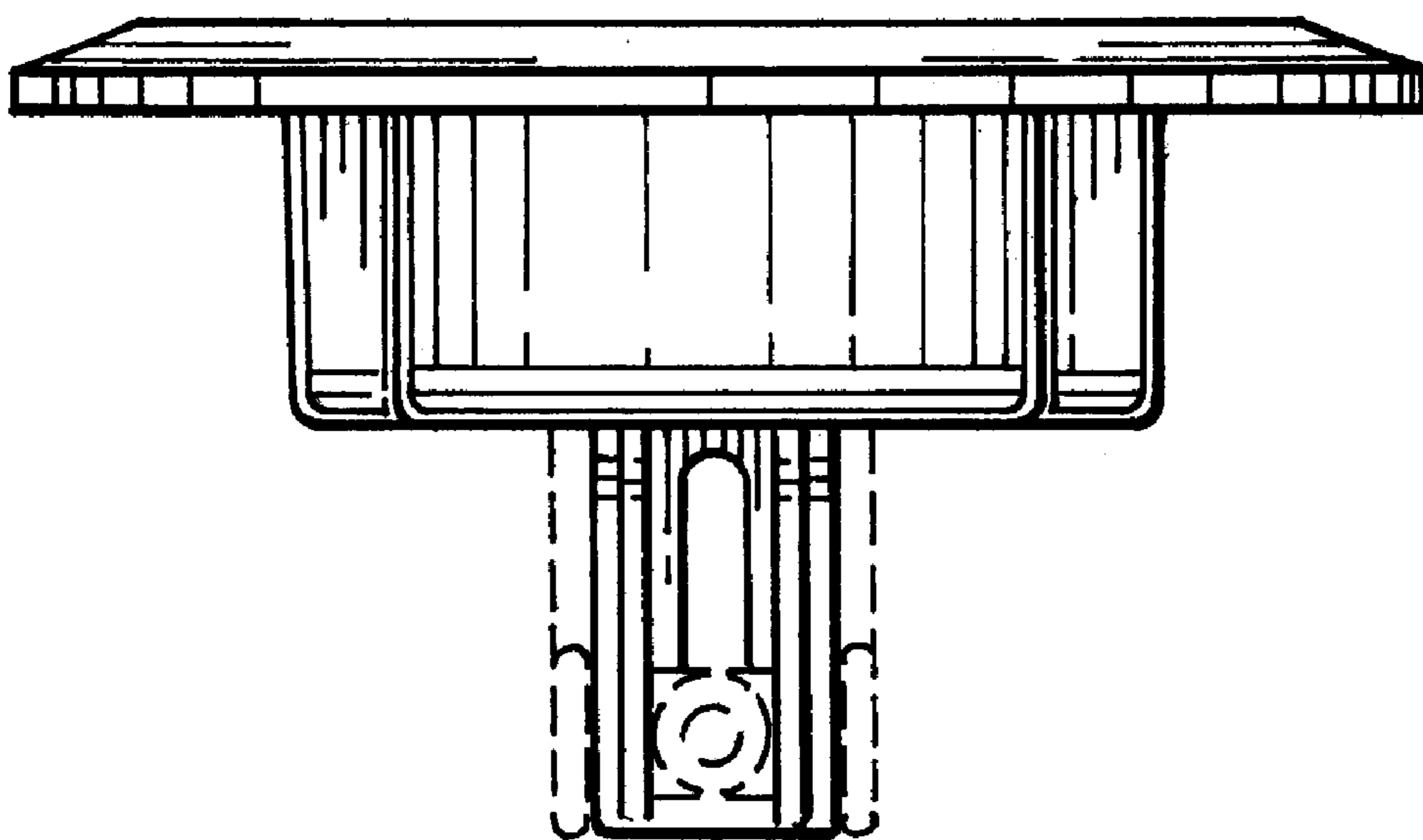


FIG. 11

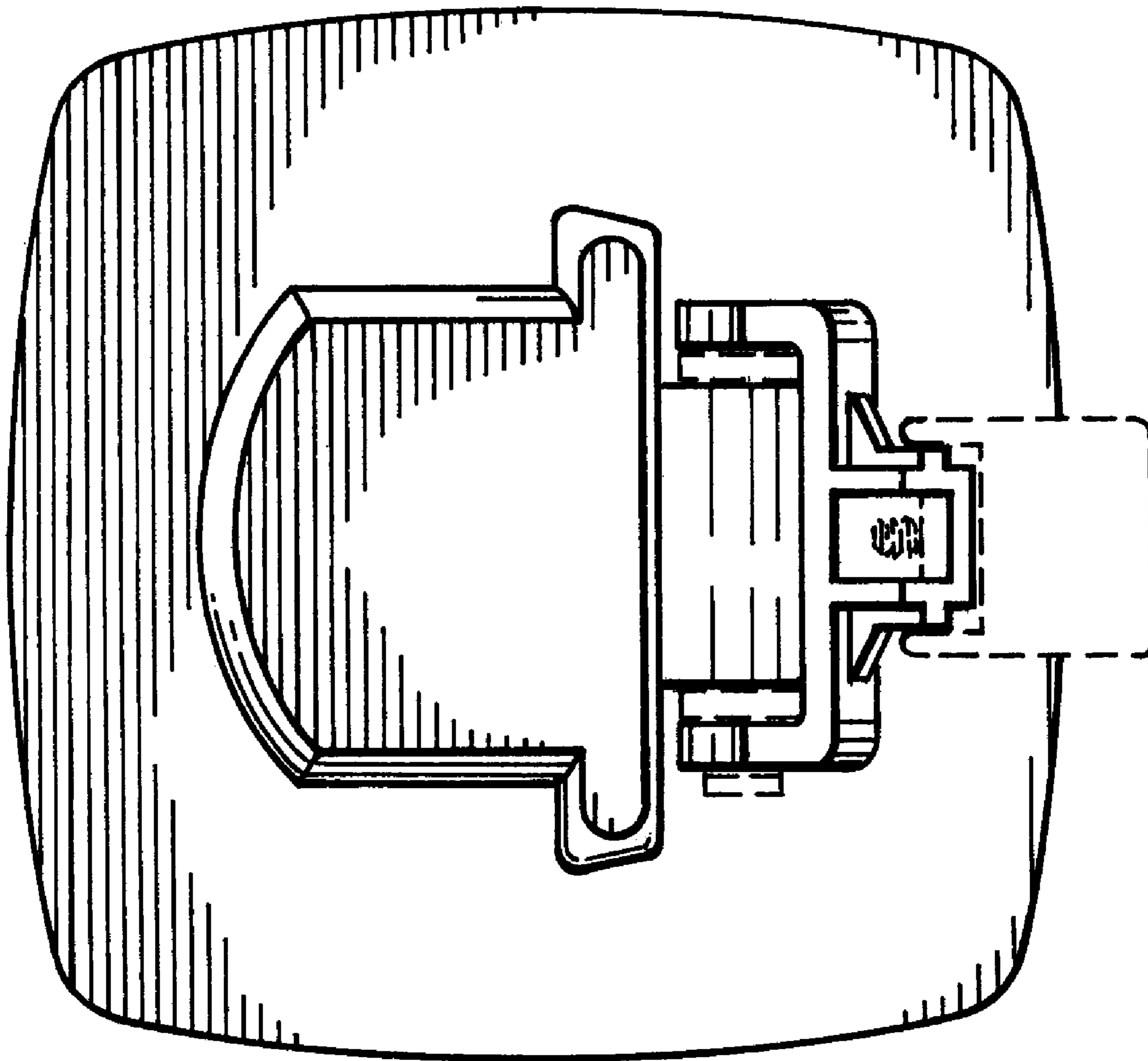


FIG. 12