

US00D545664S

(12) **United States Design Patent**
Fields

(10) **Patent No.:** **US D545,664 S**

(45) **Date of Patent:** **** Jul. 3, 2007**

(54) **KNOB**

(75) **Inventor:** **Betsy Fields**, Silverton, CO (US)

(73) **Assignee:** **Liberty Hardware Mfg. Corp.**,
Winston-Salem, NC (US)

(**) **Term:** **14 Years**

(21) **Appl. No.:** **29/245,247**

(22) **Filed:** **Dec. 21, 2005**

(51) **LOC (8) Cl.** **08-06**

(52) **U.S. Cl.** **D8/310**

(58) **Field of Classification Search** D8/300,
D8/302, 307, 310, 313, DIG. 2; 16/110.1,
16/417; 292/347; 40/331
See application file for complete search history.

(56) **References Cited**

U.S. PATENT DOCUMENTS

5,499,427 A * 3/1996 Bowman 16/417

D368,640 S * 4/1996 Sonnenleiter D8/310
D396,179 S * 7/1998 Burns et al. D8/310
D401,834 S * 12/1998 Burns et al. D8/310
D493,686 S * 8/2004 Fields D8/310

* cited by examiner

Primary Examiner—Paula A. Greene

(74) *Attorney, Agent, or Firm*—Edgar A. Zarins; Lloyd D. Doigan

(57) **CLAIM**

The ornamental design for a knob, as shown and described.

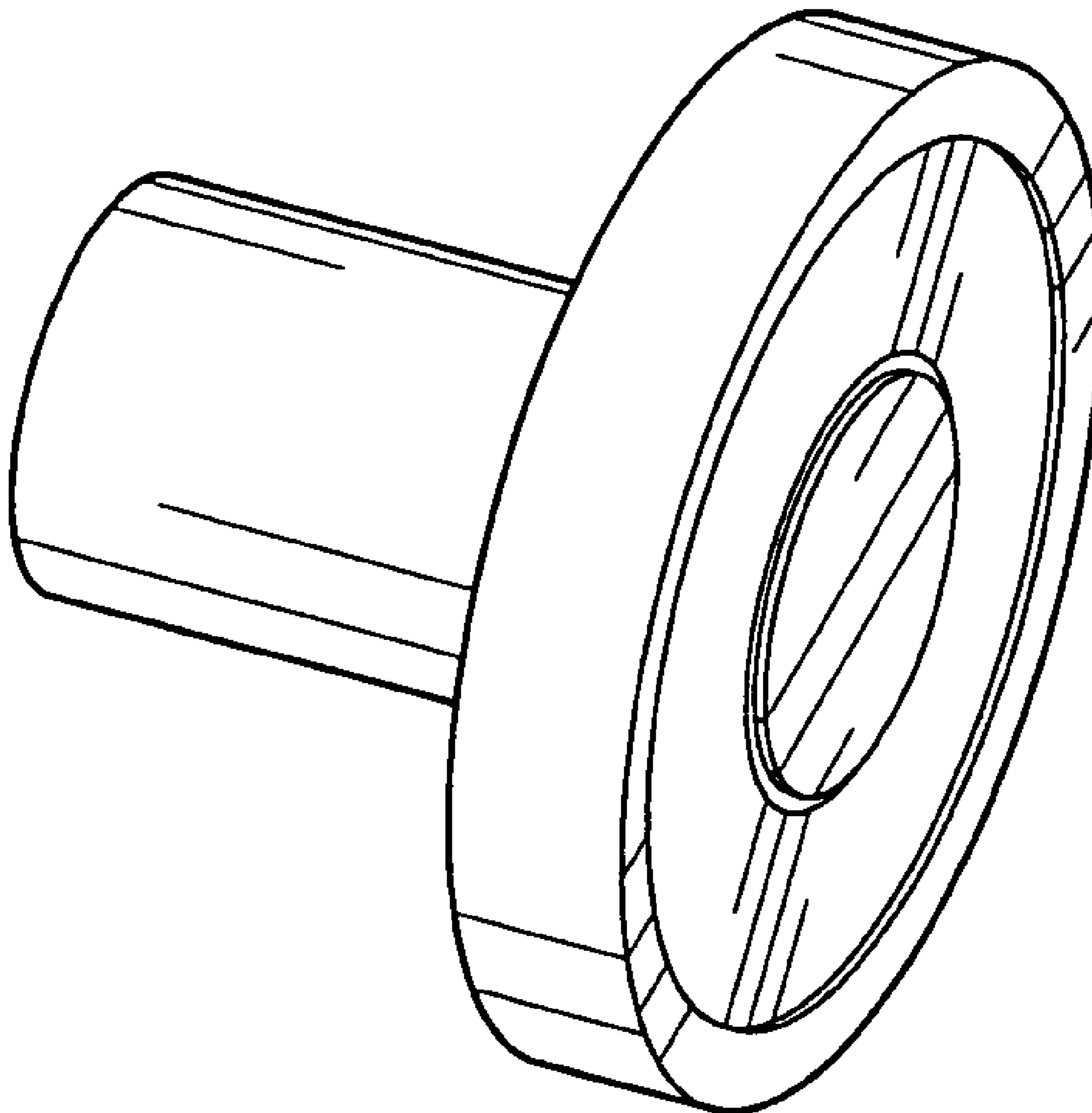
DESCRIPTION

FIG. 1 is a perspective view of a knob showing my new design;

FIG. 2 is a front elevational view thereof; and,

FIG. 3 is a side view thereof.

1 Claim, 1 Drawing Sheet



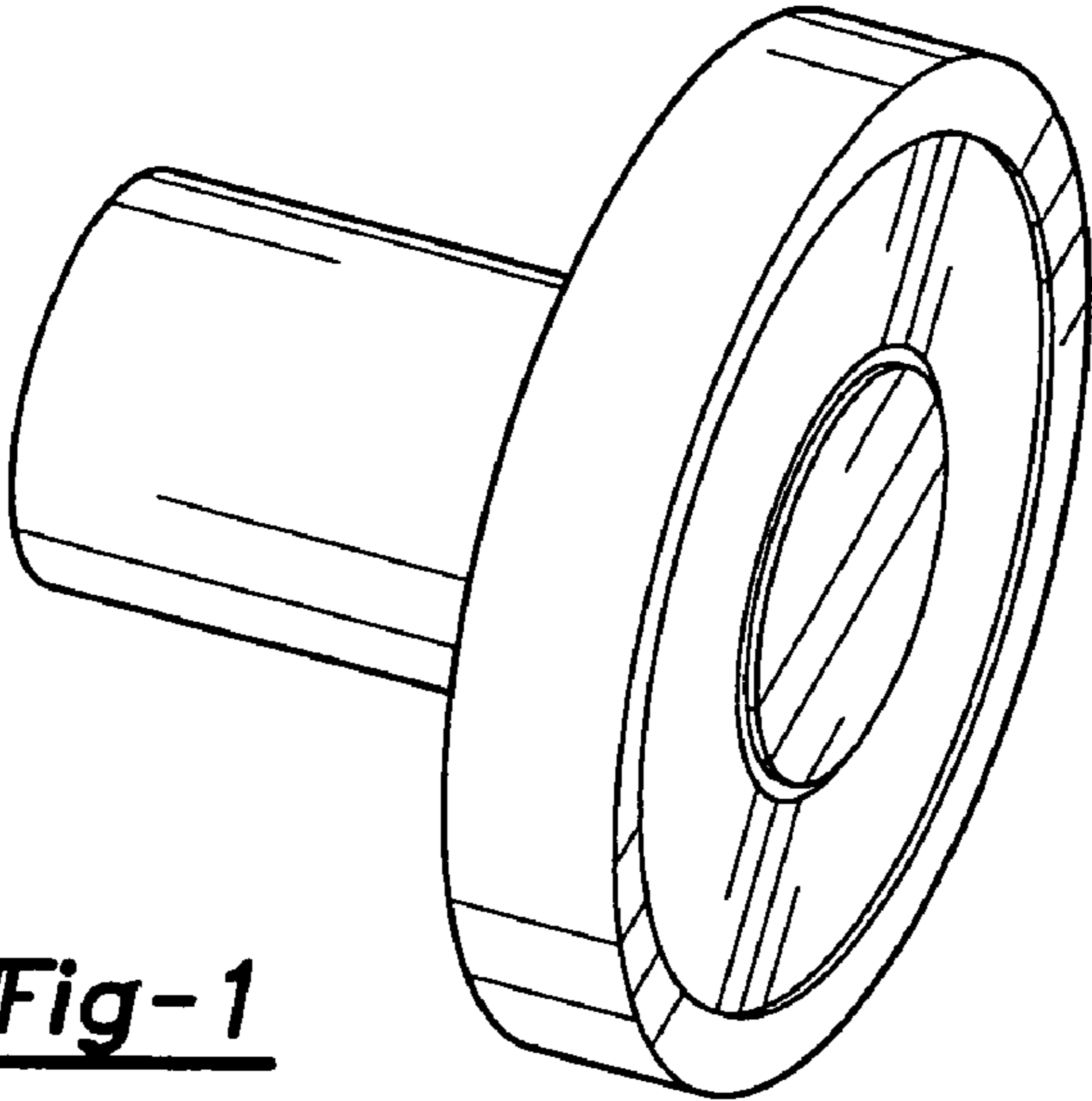


Fig-1

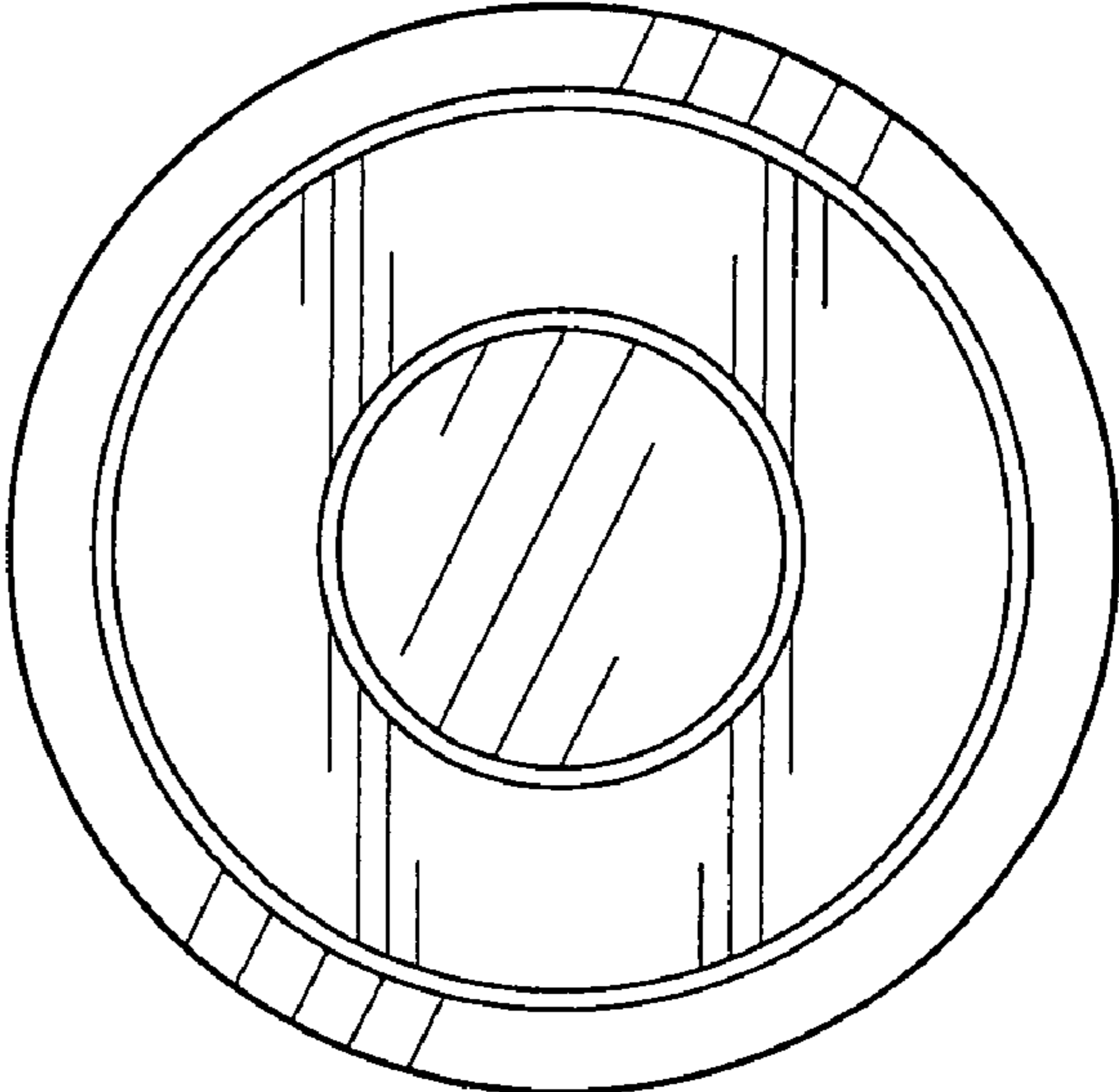


Fig-2

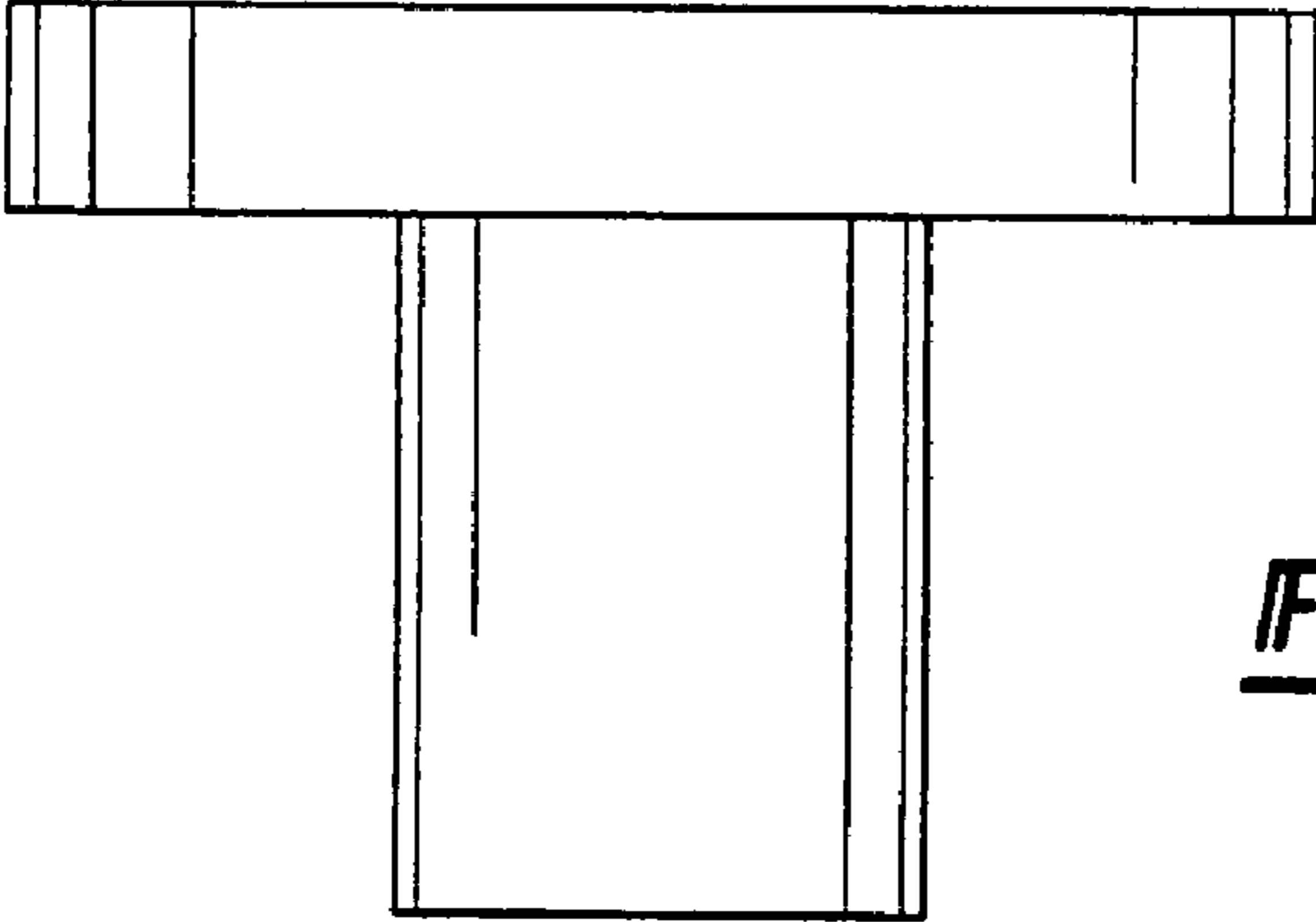


Fig-3