

US00D545663S

(12) **United States Design Patent**
Sato

(10) **Patent No.:** **US D545,663 S**

(45) **Date of Patent:** **** Jul. 3, 2007**

(54) **HANDLE FOR DOOR FITTINGS**

(75) Inventor: **Genichi Sato**, Chiyoda-ku (JP)

(73) Assignee: **Sugatsune Kogyo Co., Ltd.**, Tokyo (JP)

(**) Term: **14 Years**

(21) Appl. No.: **29/229,452**

(22) Filed: **May 9, 2005**

(30) **Foreign Application Priority Data**

Nov. 9, 2004 (JP) 2004-034066

(51) **LOC (8) Cl.** **08-06**

(52) **U.S. Cl.** **D8/310**

(58) **Field of Classification Search** D8/300,
D8/307, 310, 313, 314; D13/171, 174; D23/250-252;
16/441, 443, 444, 446

See application file for complete search history.

(56) **References Cited**

U.S. PATENT DOCUMENTS

963,053 A * 7/1910 Lockwood 16/441

D193,385 S * 8/1962 Caminker et al. D8/314
D194,782 S * 3/1963 Watt D8/314
D268,358 S * 3/1983 Saporito et al. D23/250
D327,834 S * 7/1992 Reid D8/310
D527,611 S * 9/2006 Sato D8/310
D527,980 S * 9/2006 Sato D8/310

* cited by examiner

Primary Examiner—Paula A. Greene

(74) *Attorney, Agent, or Firm*—Bacon & Thomas, PLLC

(57) **CLAIM**

The ornamental design for handle for door fittings, as shown and described.

DESCRIPTION

FIG. 1 is a front elevation view of handle for door fittings embodying my new design;

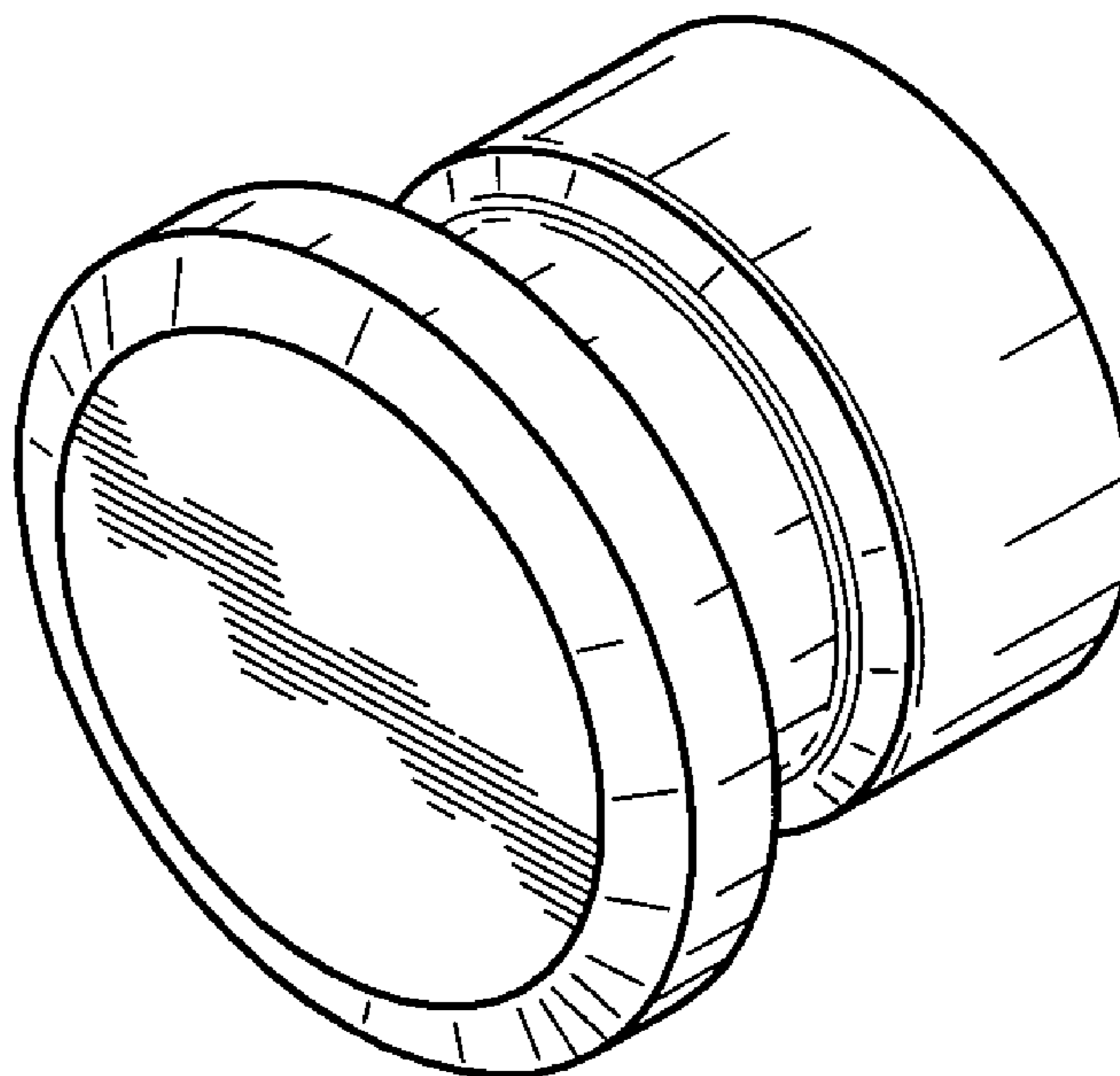
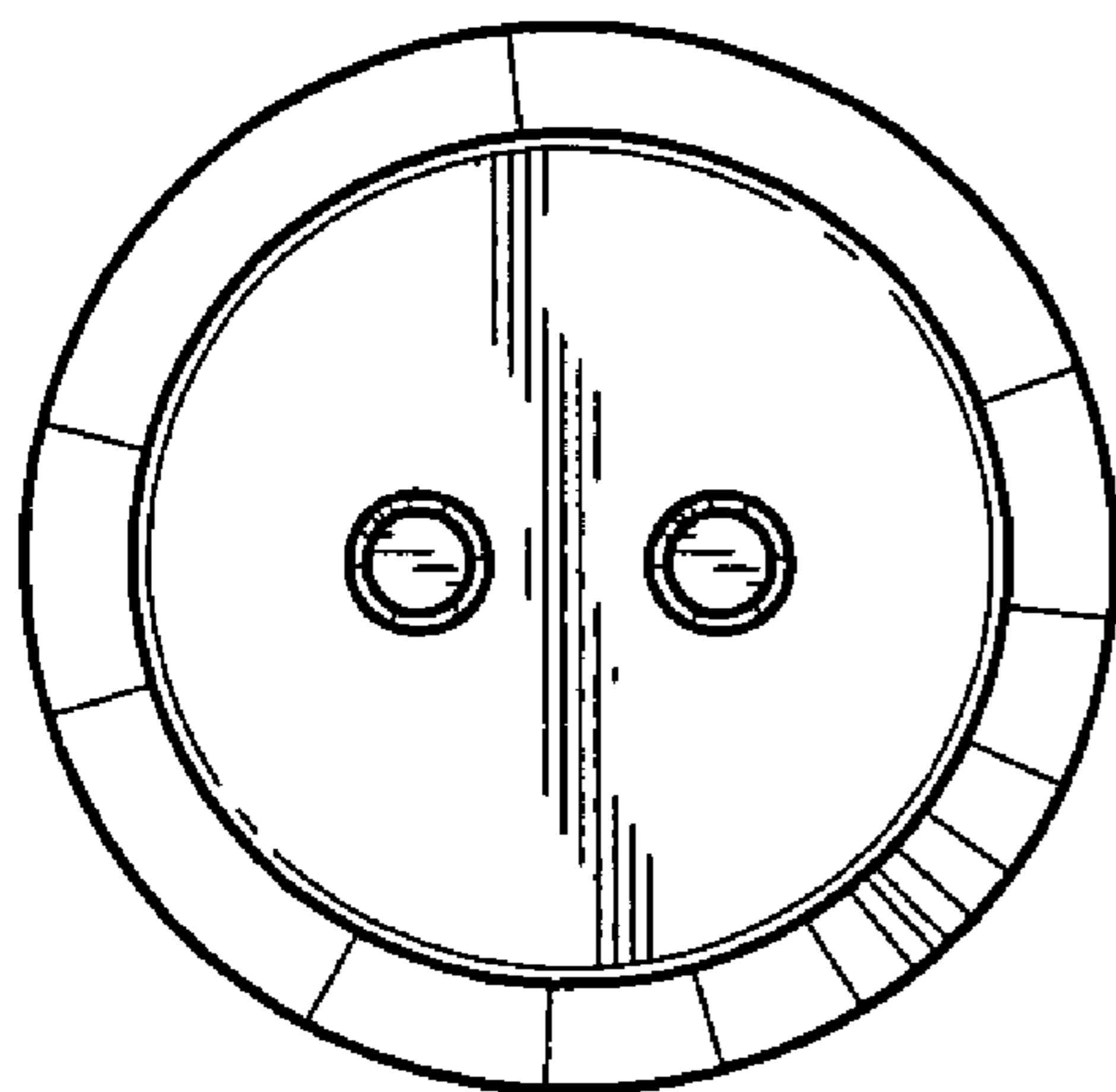
FIG. 2 is a right side view thereof;

FIG. 3 is a plan view thereof;

FIG. 4 is a rear view thereof; and,

FIG. 5 is a perspective view thereof.

1 Claim, 1 Drawing Sheet



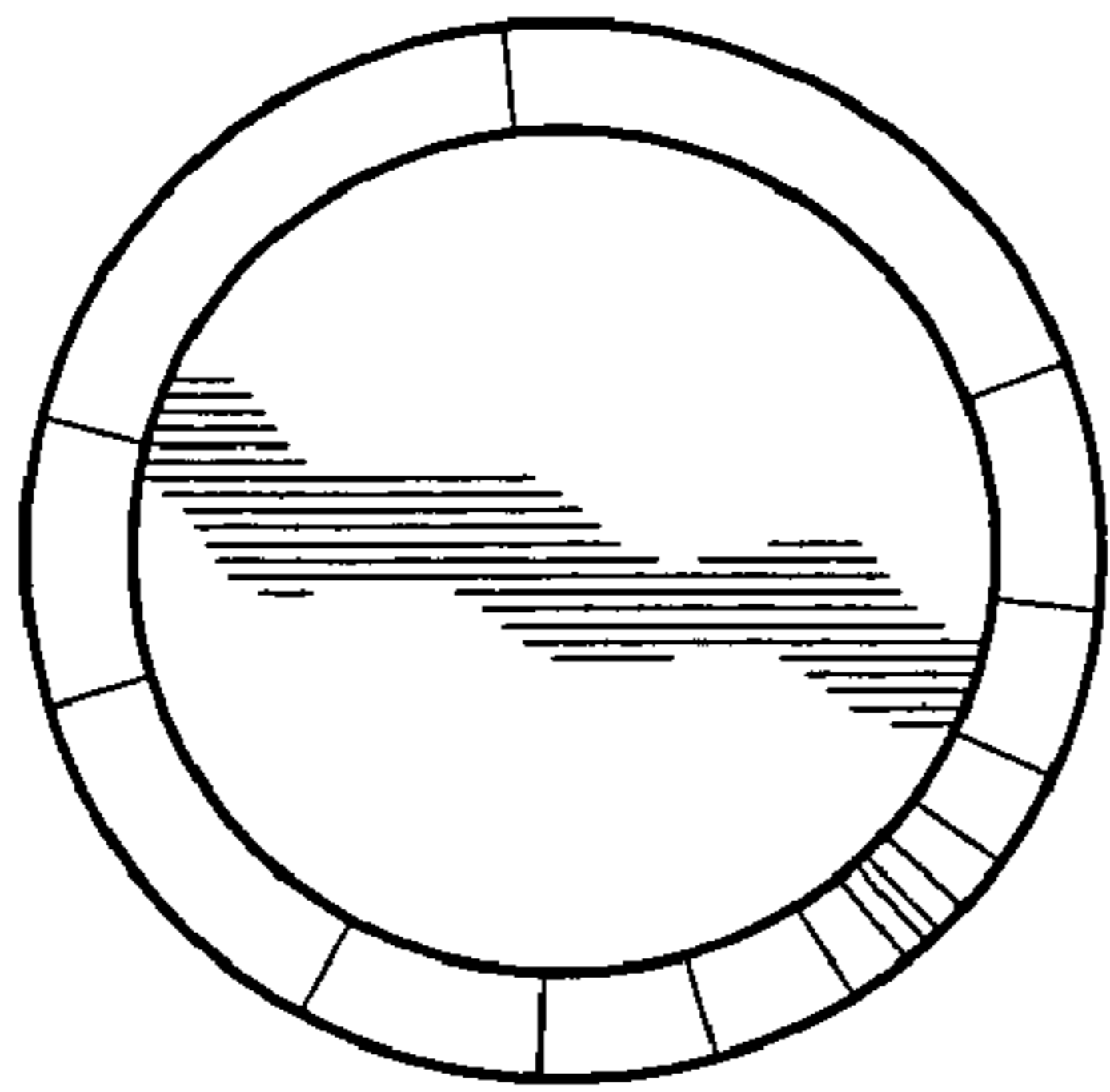


FIG. 1

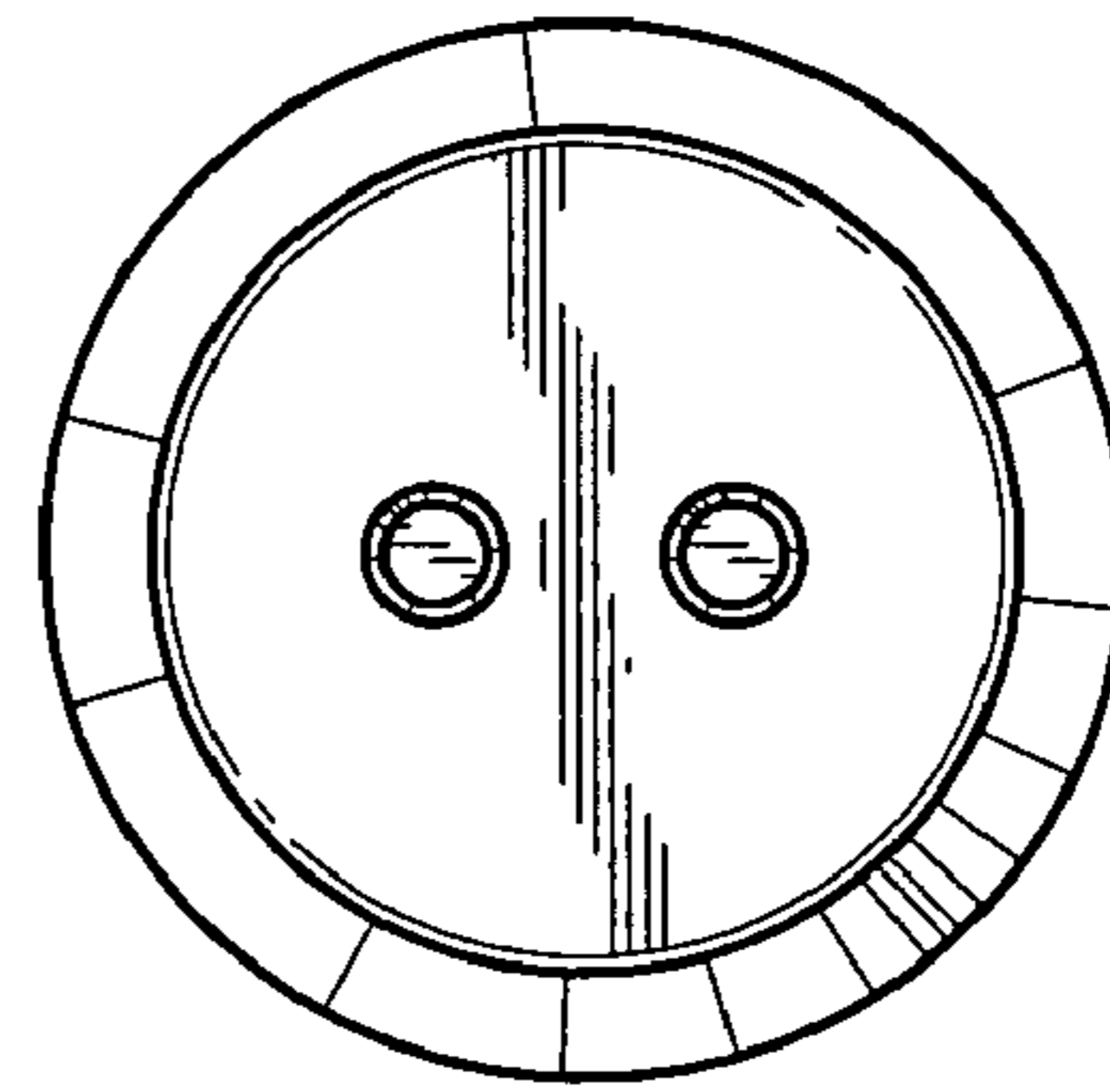


FIG. 4

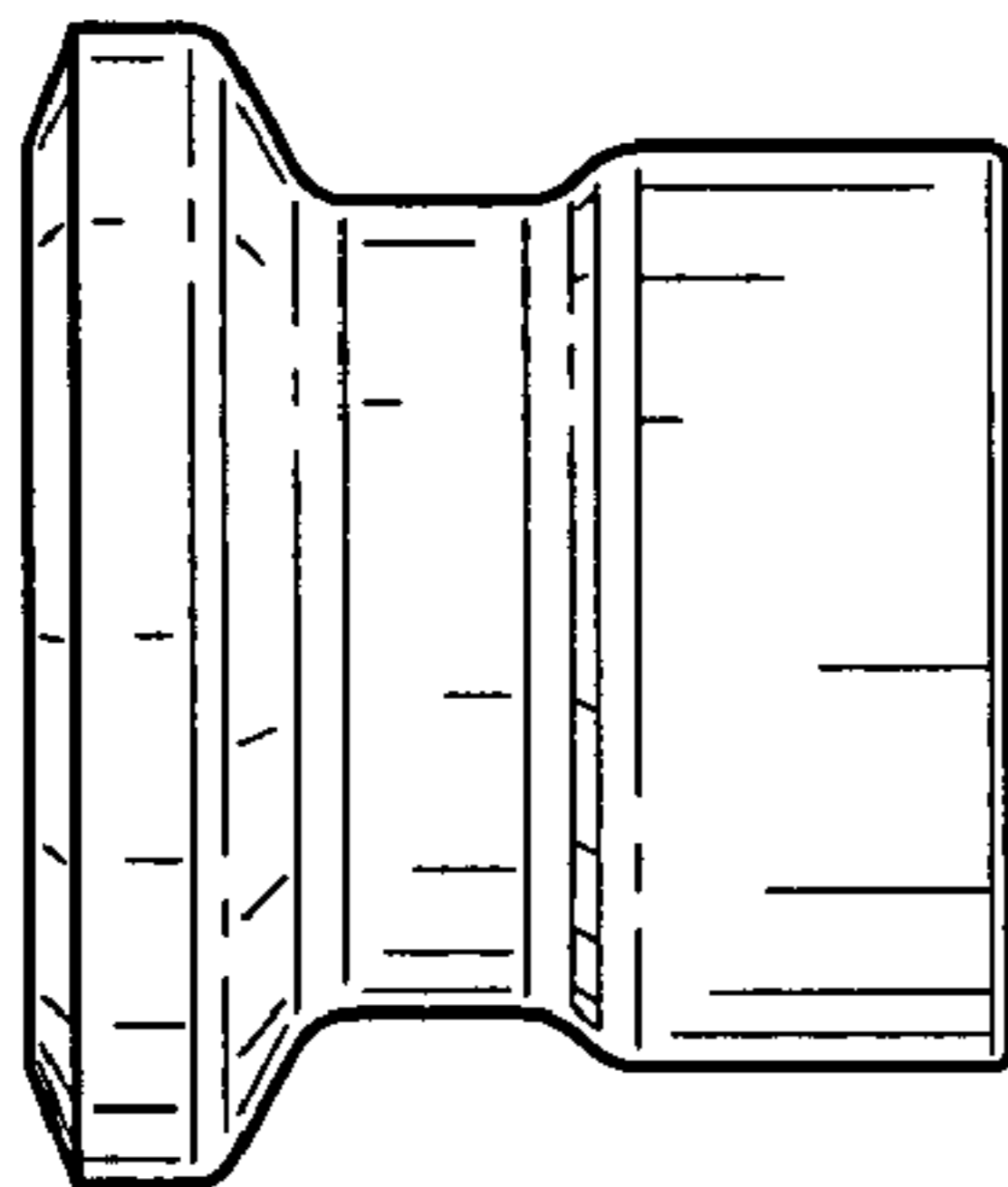


FIG. 2

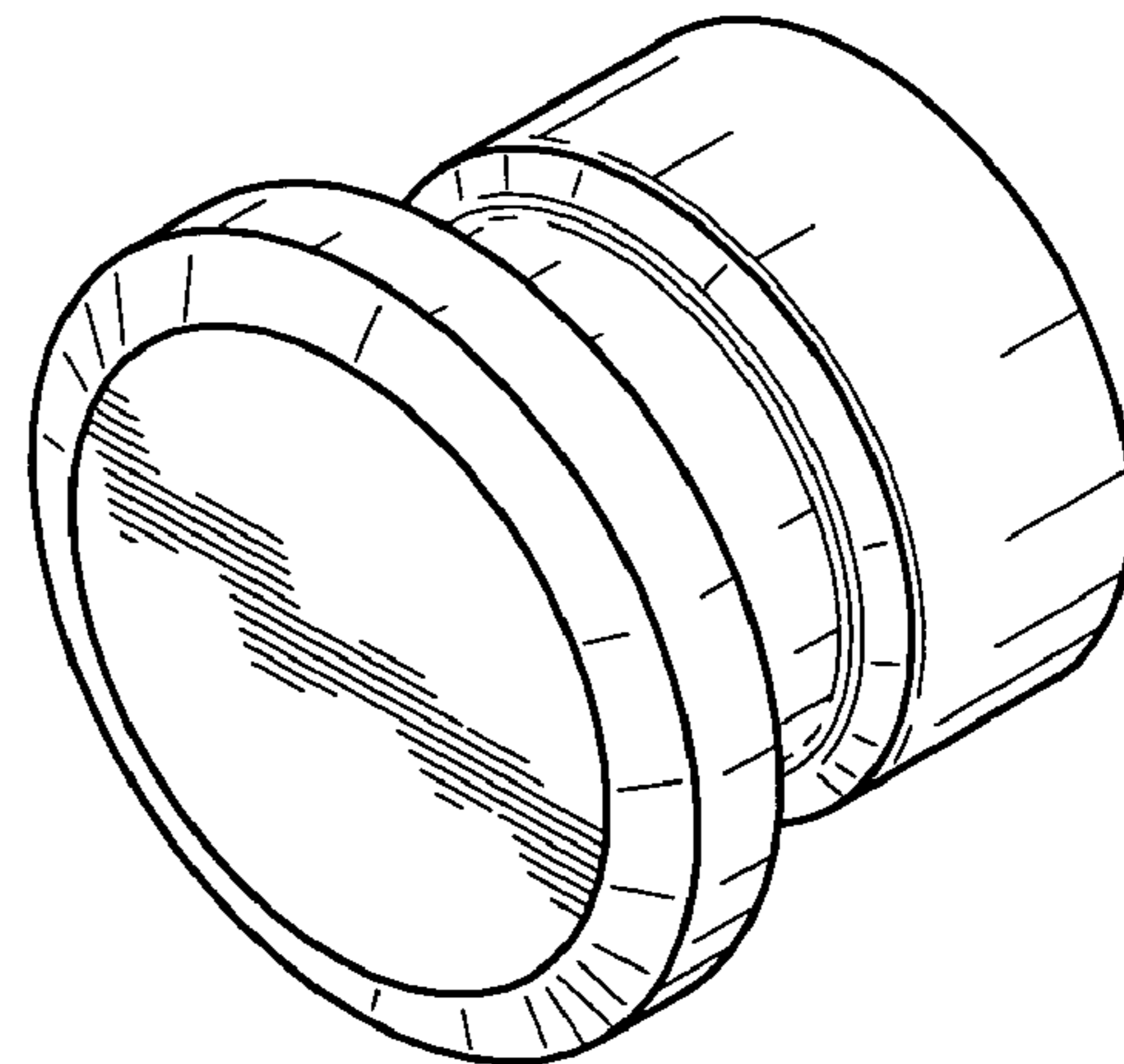


FIG. 5

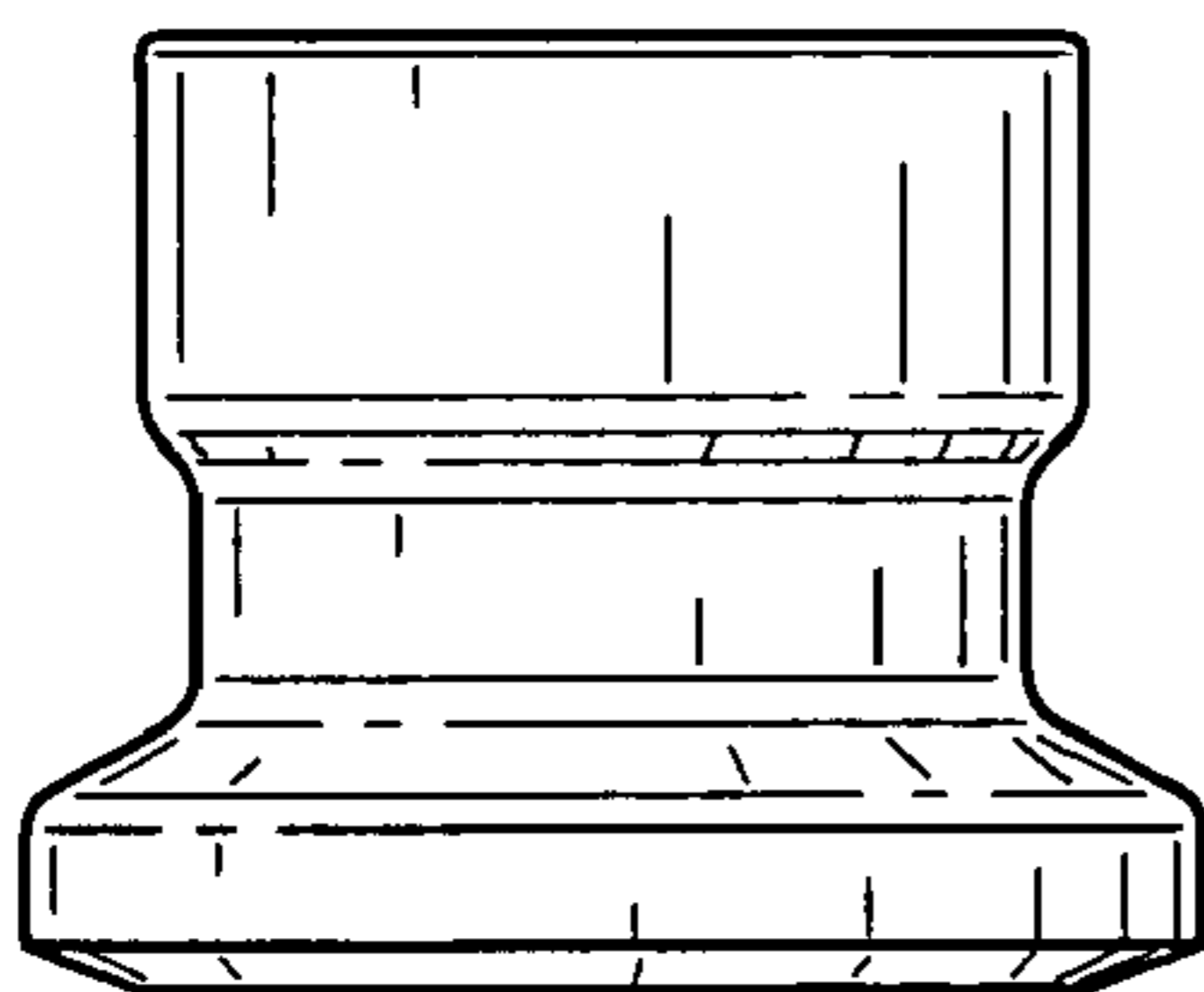


FIG. 3