

US00D545662S

(12) **United States Design Patent**
Lu

(10) **Patent No.:** **US D545,662 S**
(45) **Date of Patent:** **** Jul. 3, 2007**

(54) **DOOR LOCK WITH SECURITY KEY CODE**

(76) Inventor: **Xianhao Lu**, No. 10 Yile Blvd., Jiayi Road #401, Zhuhai District, Guangzhou (CN)

(**) Term: **14 Years**

(21) Appl. No.: **29/247,090**

(22) Filed: **May 30, 2006**

(51) **LOC (8) Cl.** **08-06**

(52) **U.S. Cl.** **D8/302; D8/308; D8/330**

(58) **Field of Classification Search** D8/300, D8/301, 302, 307, 308, 330, 338, 339, 350, D8/352; 70/277, 472, 91, 92, 279.1, 101, 70/107; 292/169, 336.3, 173; 235/454, 235/462, 43

See application file for complete search history.

(56) **References Cited**

U.S. PATENT DOCUMENTS

4,979,383	A *	12/1990	Tully	70/107
5,475,996	A *	12/1995	Chen	70/279.1
D365,976	S *	1/1996	Chiu	D8/330
D429,139	S *	8/2000	Ahn	D8/301
6,145,353	A *	11/2000	Doucet	70/277
6,286,347	B1 *	9/2001	Frolov	70/472
D470,033	S *	2/2003	Fleury et al.	D8/302

6,733,050	B1 *	5/2004	Yao	292/169
D501,388	S *	2/2005	Carpintero	D8/301
6,935,149	B1 *	8/2005	Peng et al.	70/472
D527,608	S *	9/2006	Antkowiak et al.	D8/302
D533,763	S *	12/2006	Wright et al.	D8/330

* cited by examiner

Primary Examiner—Paula A. Greene

(74) *Attorney, Agent, or Firm*—Global IP Services; Tianhua Gu

(57) **CLAIM**

The ornamental design for a door lock with security key code, as shown and described.

DESCRIPTION

FIG. 1 is a front view of a door lock with security key code showing the present new design;

FIG. 2 is a back view thereof;

FIG. 3 is a right side view thereof;

FIG. 4 is a left side view thereof;

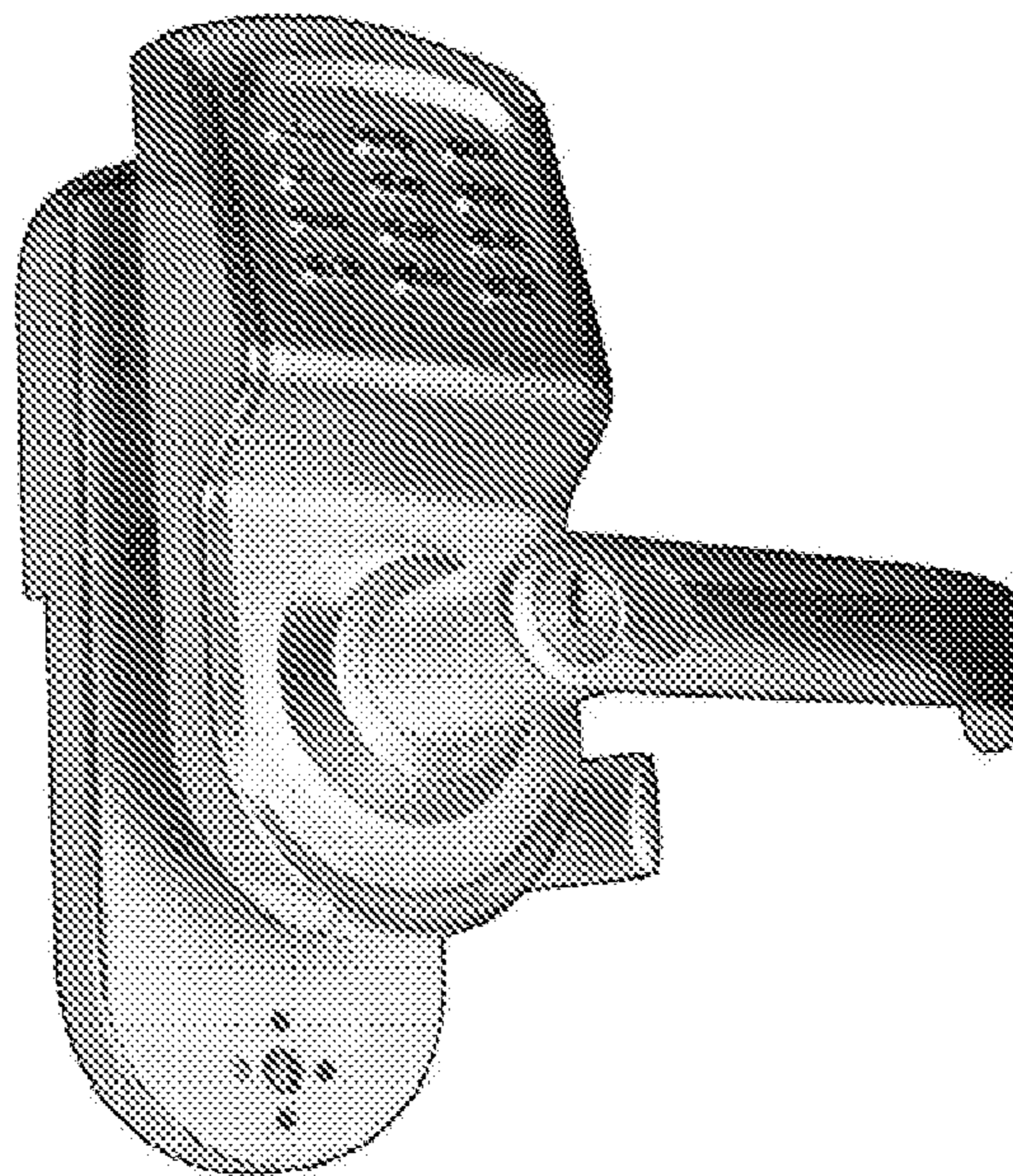
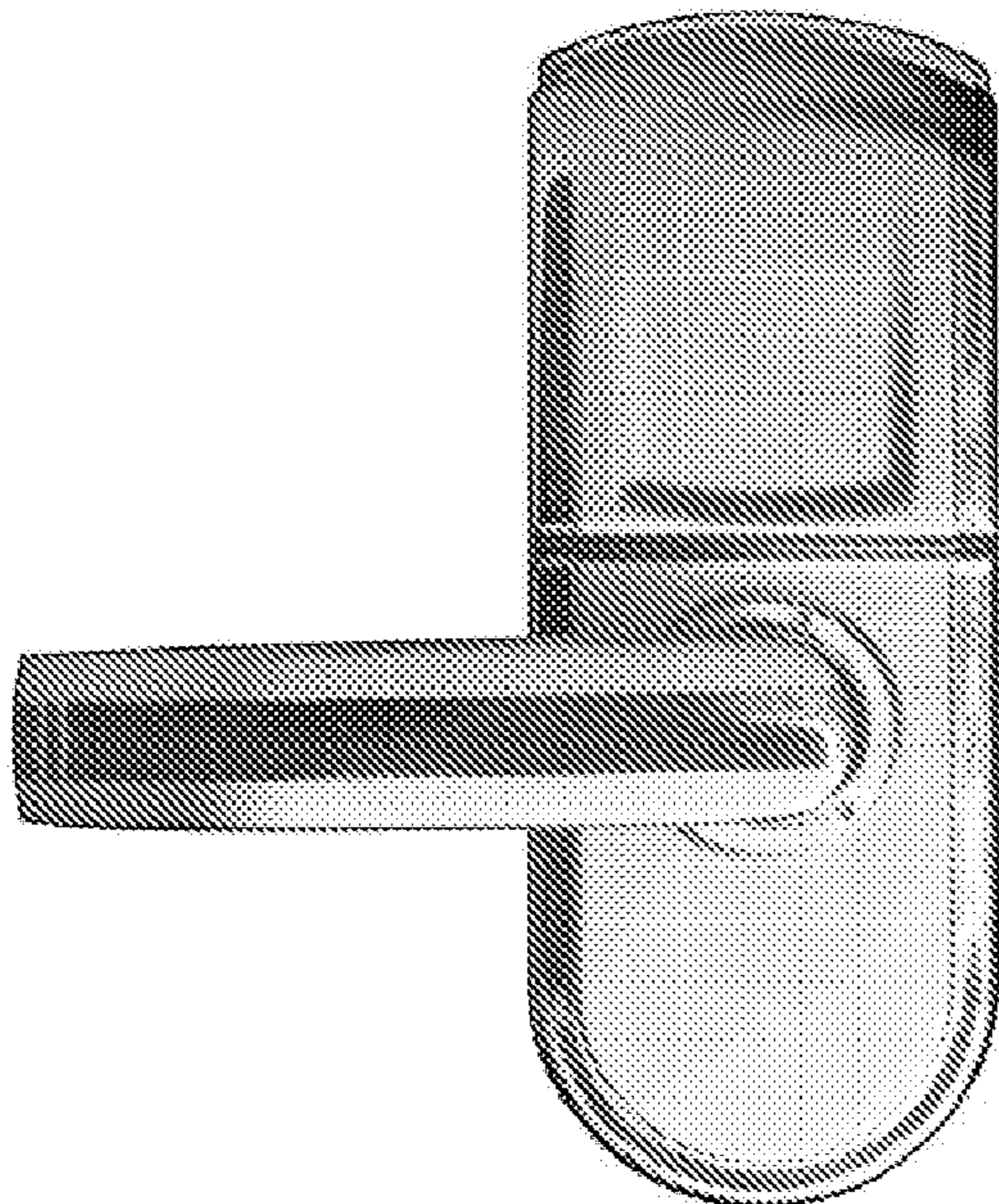
FIG. 5 is a top view thereof;

FIG. 6 is a bottom view thereof;

FIG. 7 is a front perspective view thereof; and,

FIG. 8 is a back perspective view thereof.

1 Claim, 4 Drawing Sheets



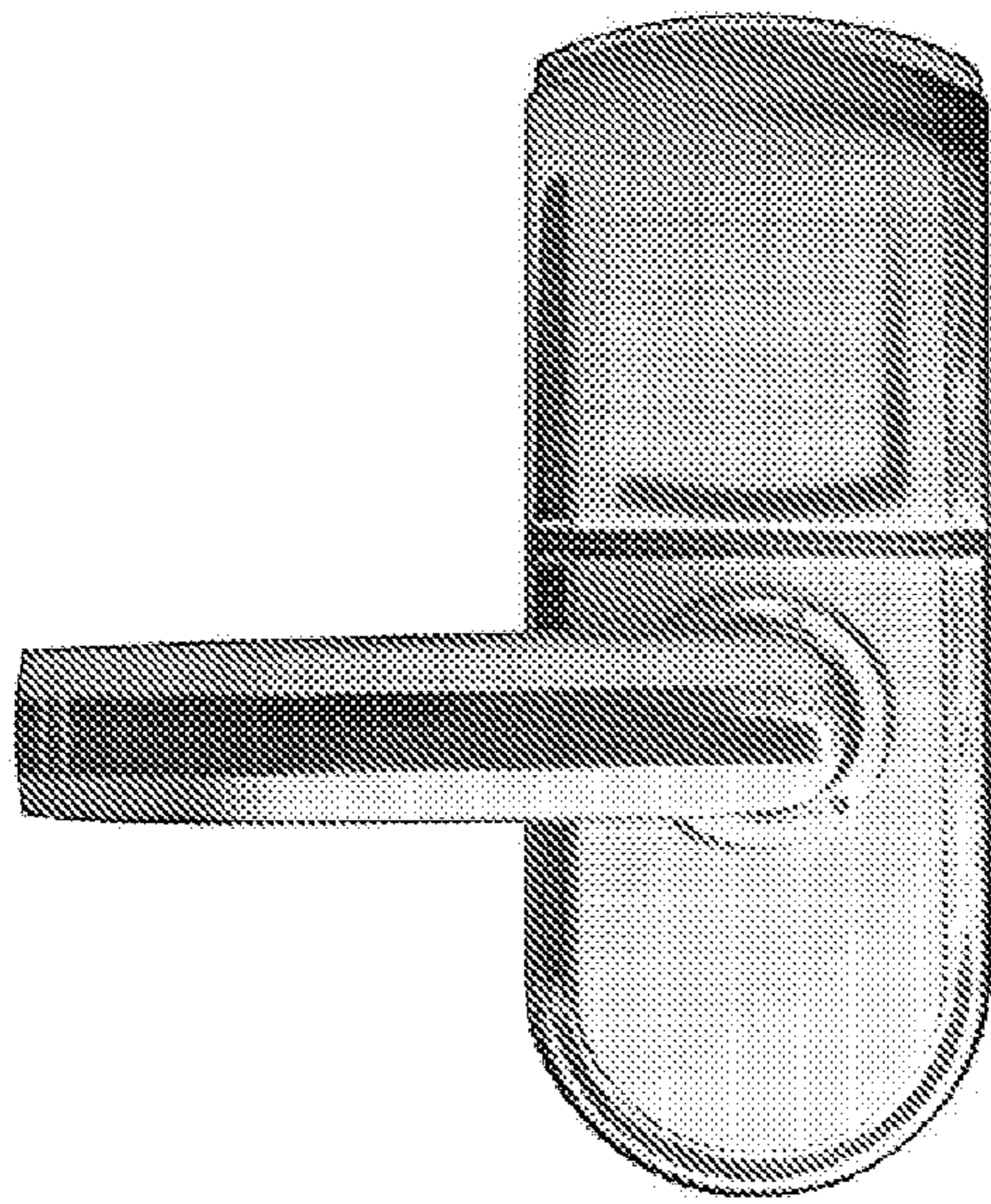


Fig. 2

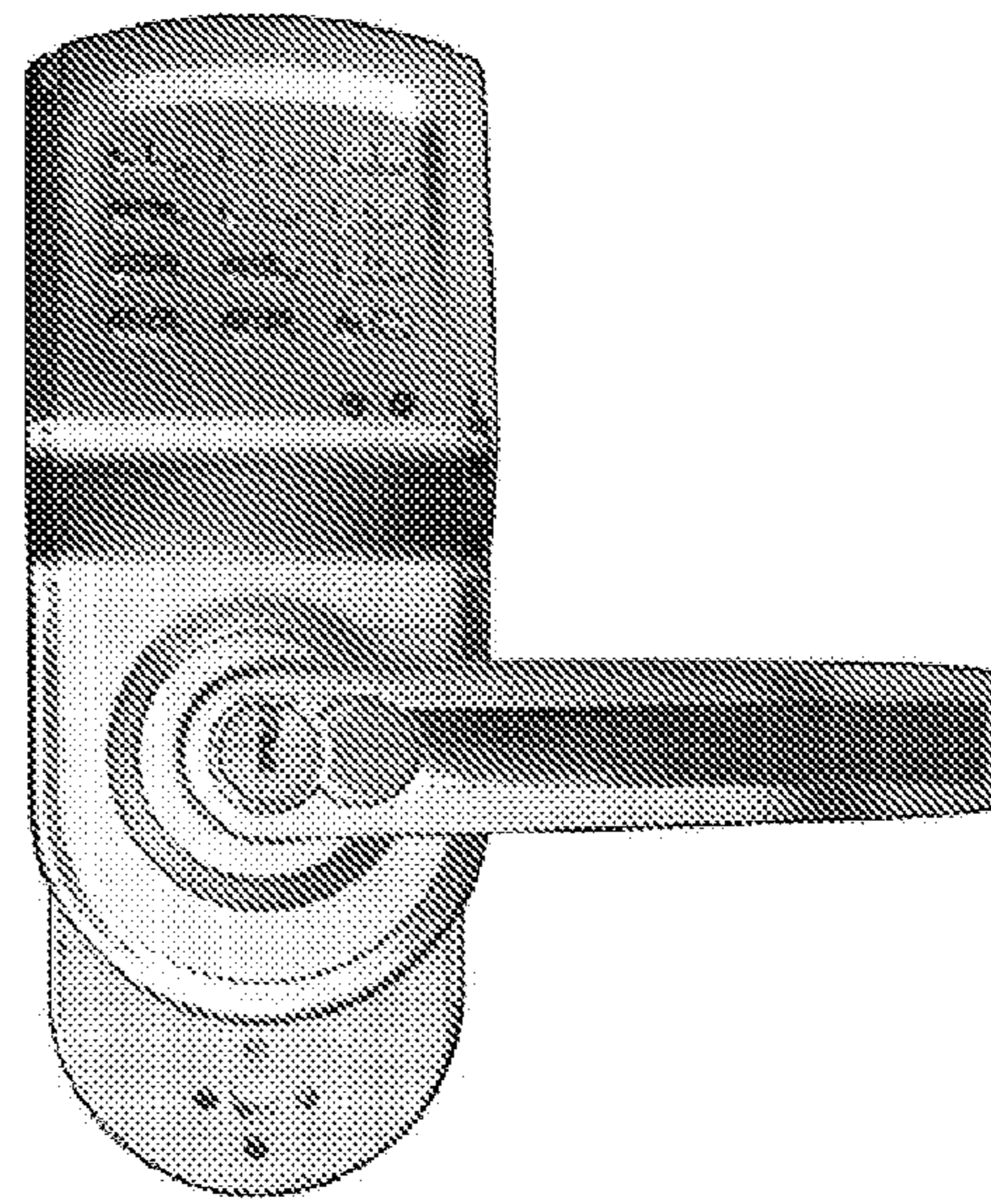


Fig. 1

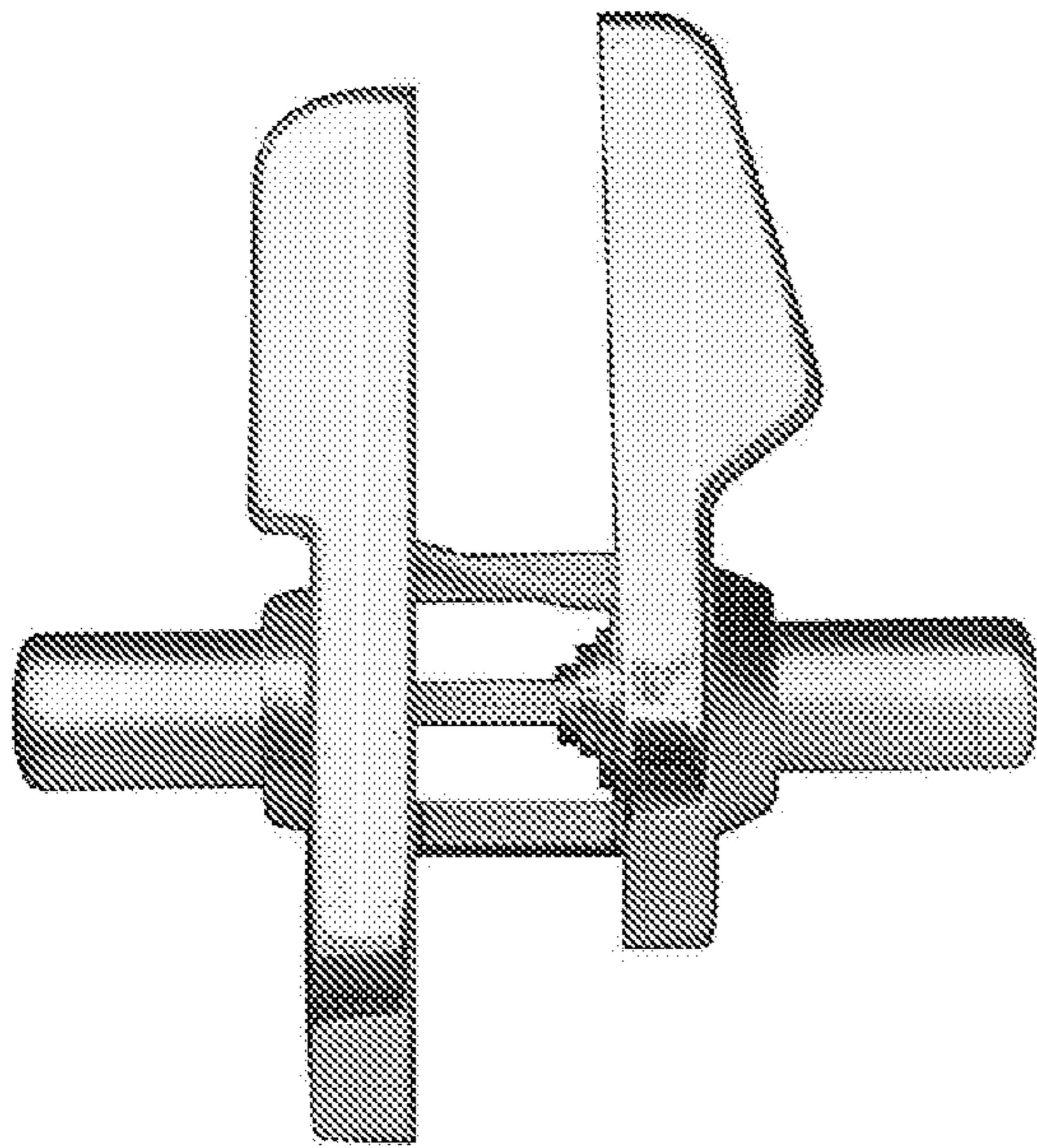


Fig. 4

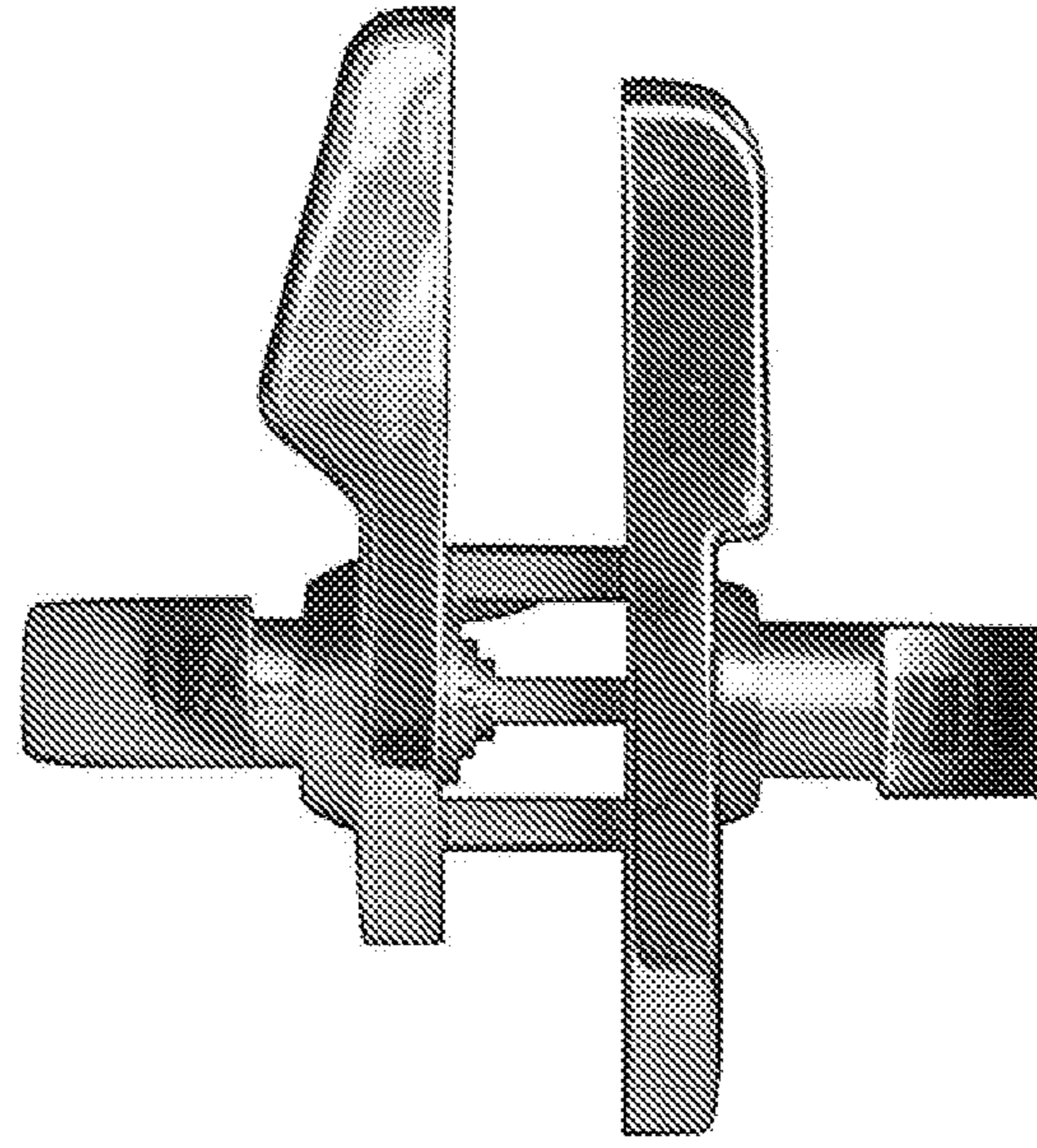


Fig. 3

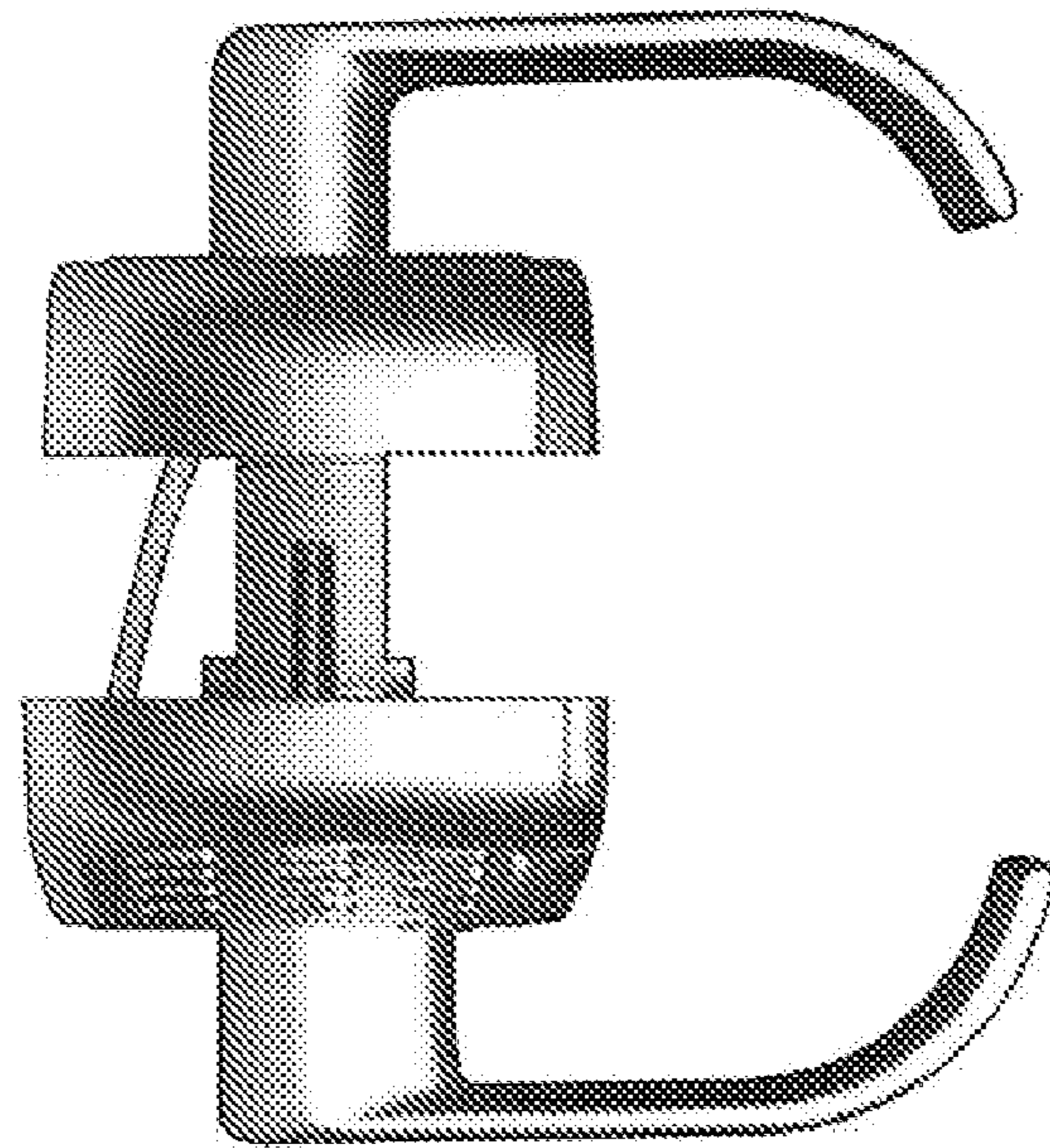


Fig. 5

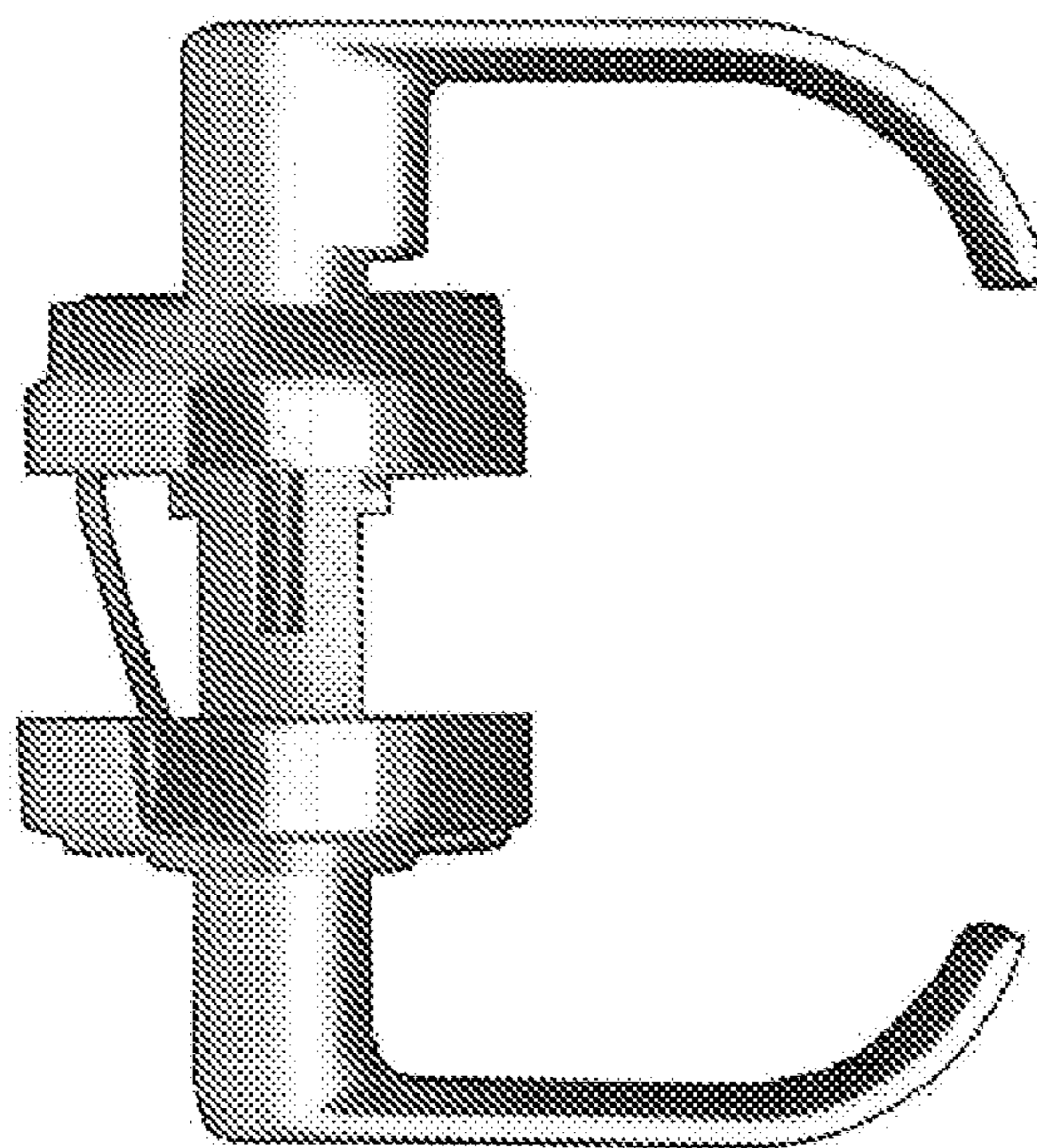


Fig. 6

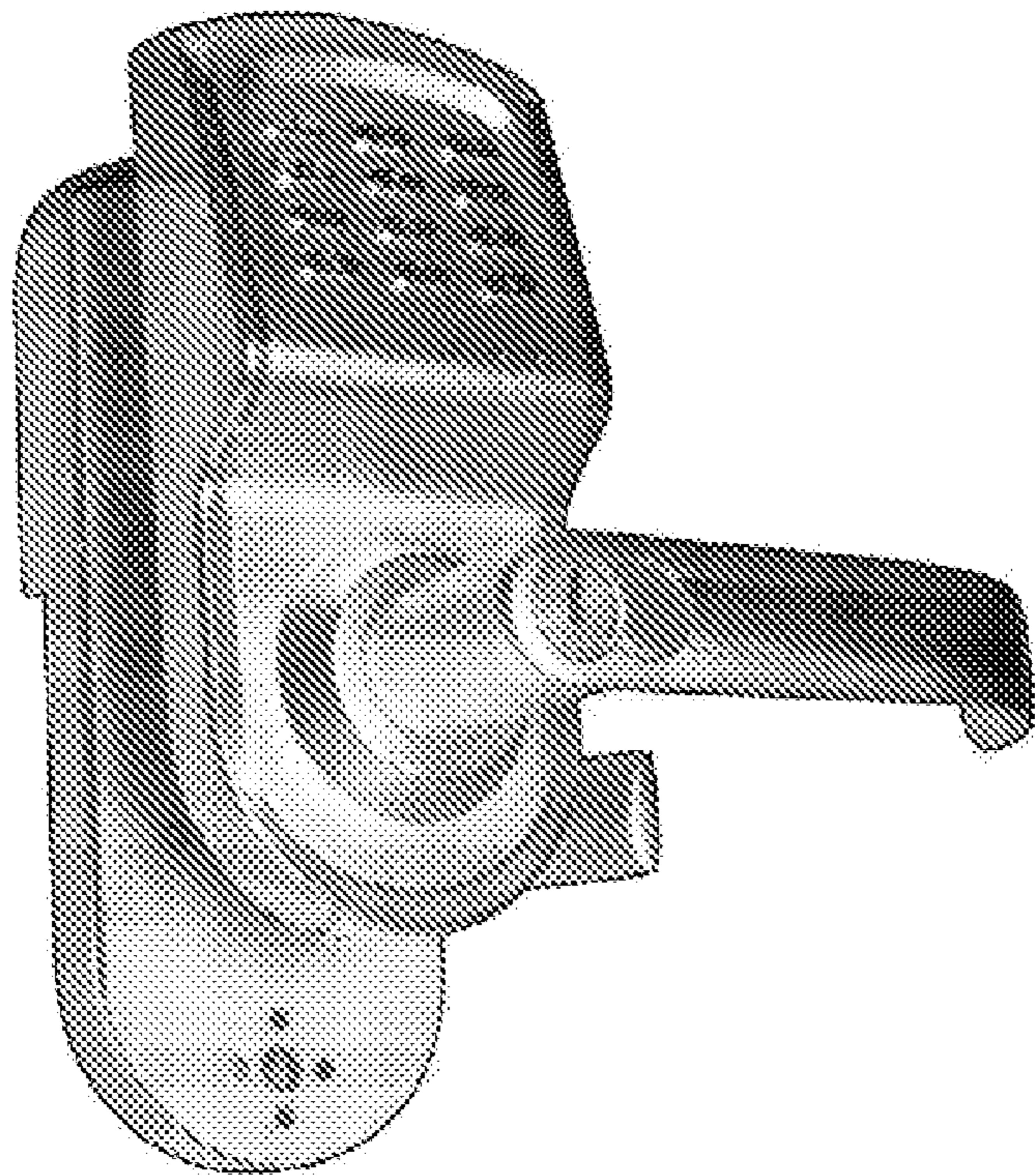


Fig. 7

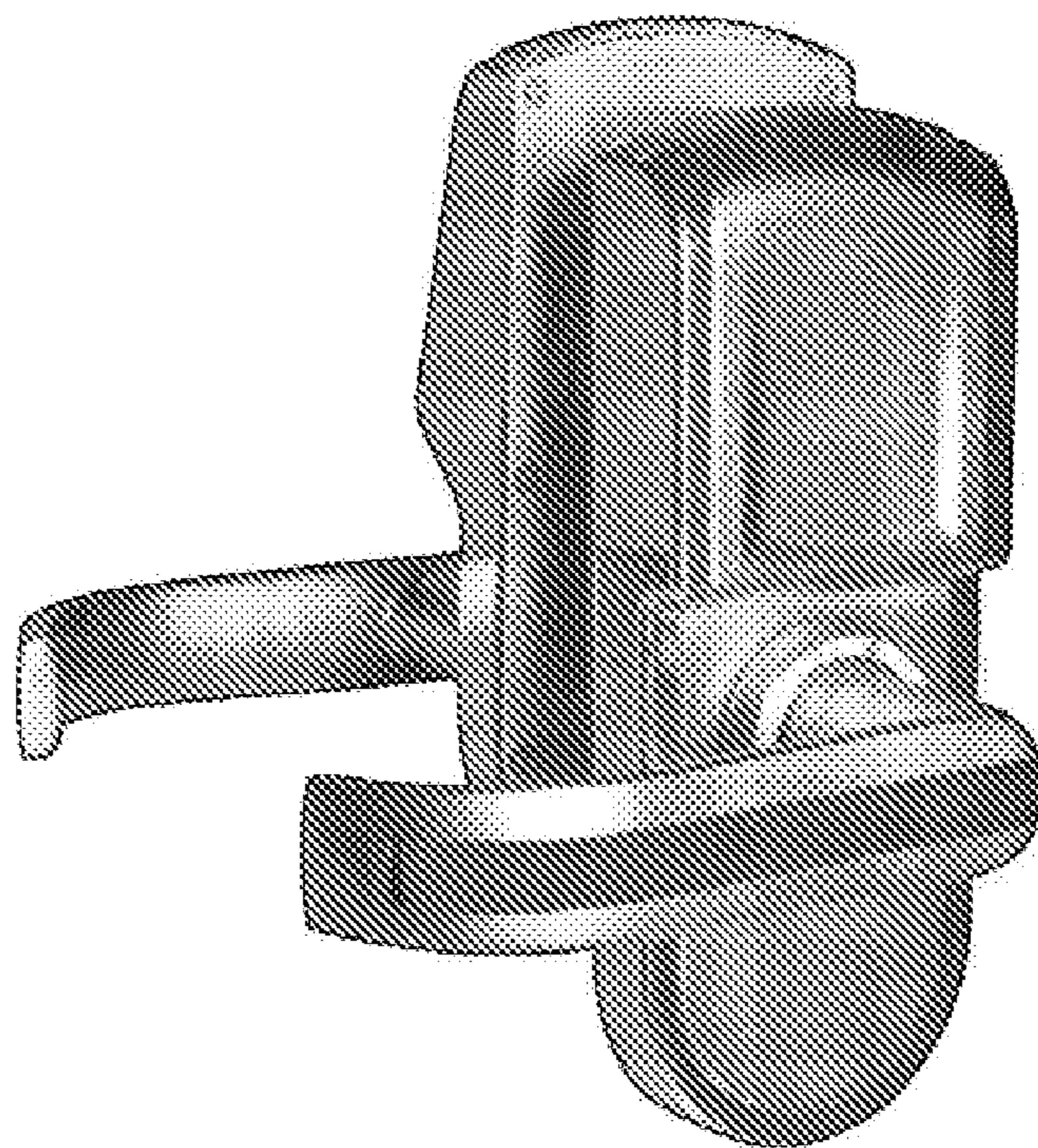


Fig. 8