

US00D545661S

(12) **United States Design Patent**
Quilling, II

(10) **Patent No.:** **US D545,661 S**

(45) **Date of Patent:** **** Jul. 3, 2007**

(54) **DOUBLE DIN AUTO STEREO MOUNTING DEVICE**

(75) **Inventor:** **R. Spencer Quilling, II**, Holly Hill, FL (US)

(73) **Assignee:** **Metra Electronics Corp.**, Holly Hill, FL (US)

(**) **Term:** **14 Years**

(21) **Appl. No.:** **29/266,213**

(22) **Filed:** **Sep. 15, 2006**

(51) **LOC (8) Cl.** **14-01**

(52) **U.S. Cl.** **D8/258**

(58) **Field of Classification Search** D14/445,
D14/260.1, 258, 257, 224, 217, 198, 197,
D14/196, 195, 194, 193, 192, 188, 168, 167,
D14/156, 136, 191, 157; D12/415, 420;
455/344, 350, 347; 248/27.3, 27.1, 558
See application file for complete search history.

(56) **References Cited**

U.S. PATENT DOCUMENTS

D481,707 S *	11/2003	Quilling et al.	D14/224
D482,023 S *	11/2003	Quilling et al.	D14/224
D484,495 S *	12/2003	Quilling et al.	D14/224
D492,287 S *	6/2004	Quilling, II	D14/224
D492,288 S *	6/2004	Quilling, II	D14/224
D496,354 S *	9/2004	Quilling, II	D14/224

D501,852 S *	2/2005	Quilling, II	D14/258
D508,486 S *	8/2005	Quilling, II	D14/224
D517,061 S *	3/2006	Quilling, II	D14/258
D519,995 S *	5/2006	Quilling, II	D14/258
D531,879 S *	11/2006	Quilling, II	D14/258
7,177,730 B2 *	2/2007	Daly et al.	701/1

* cited by examiner

Primary Examiner—Cathron C. Brooks

Assistant Examiner—Austin Murphy

(74) *Attorney, Agent, or Firm*—John Wiley Horton

(57) **CLAIM**

The ornamental design for a “double dIN auto stereo mounting device”, as shown and described.

DESCRIPTION

FIG. 1 is a perspective view of a double dIN auto stereo mounting device, showing my design;

FIG. 2 is a front elevation view of FIG. 1;

FIG. 3 is a rear elevation view of FIG. 1;

FIG. 4 is a right side elevation view of FIG. 1;

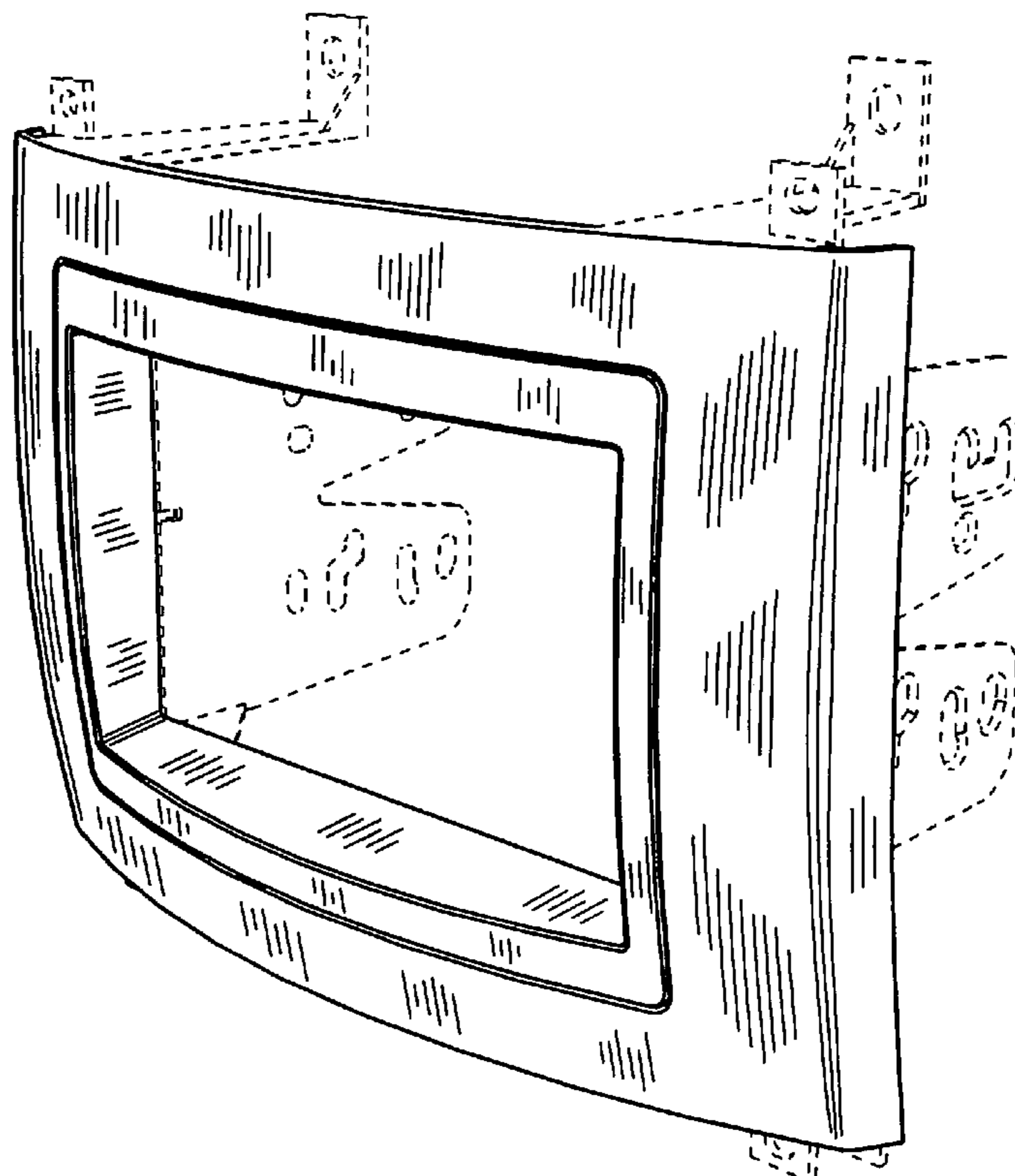
FIG. 5 is a left side elevation view of FIG. 1;

FIG. 6 is a top plan view of FIG. 1; and,

FIG. 7 is a bottom plan view of FIG. 1.

The broken lines shown in all views illustrate mounting features which form no part of the claimed design.

1 Claim, 7 Drawing Sheets



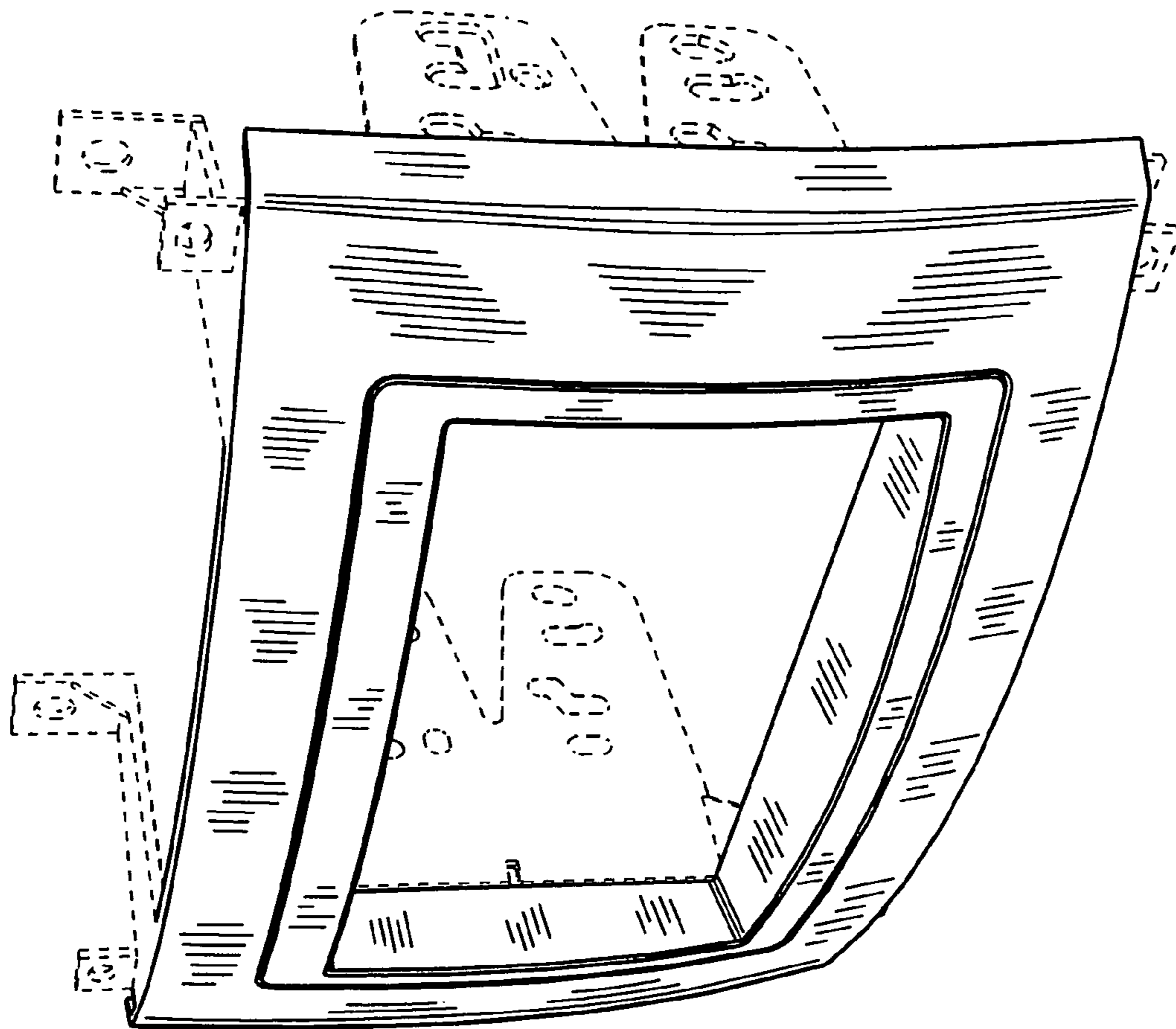


FIG. 1

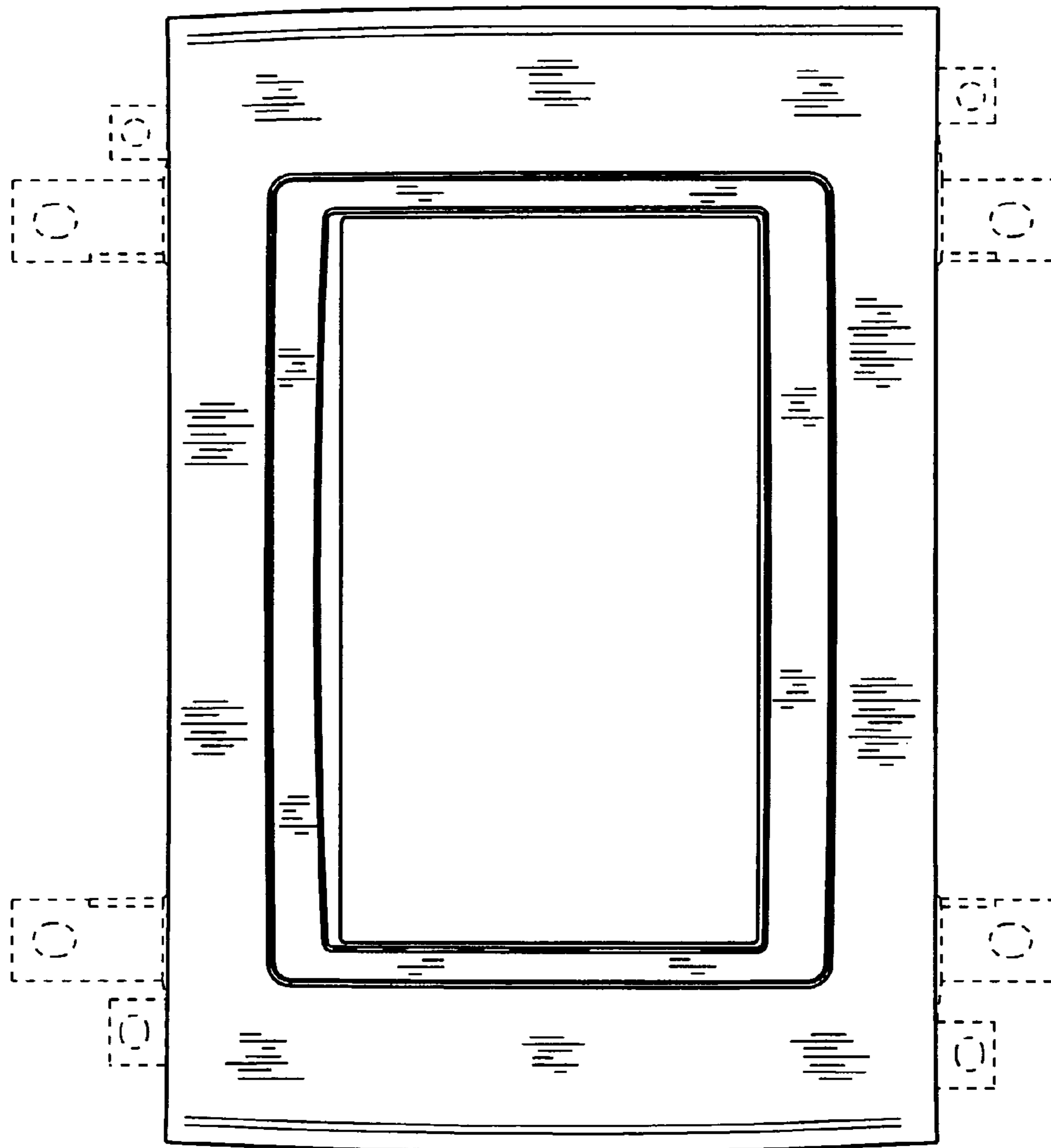


FIG. 2

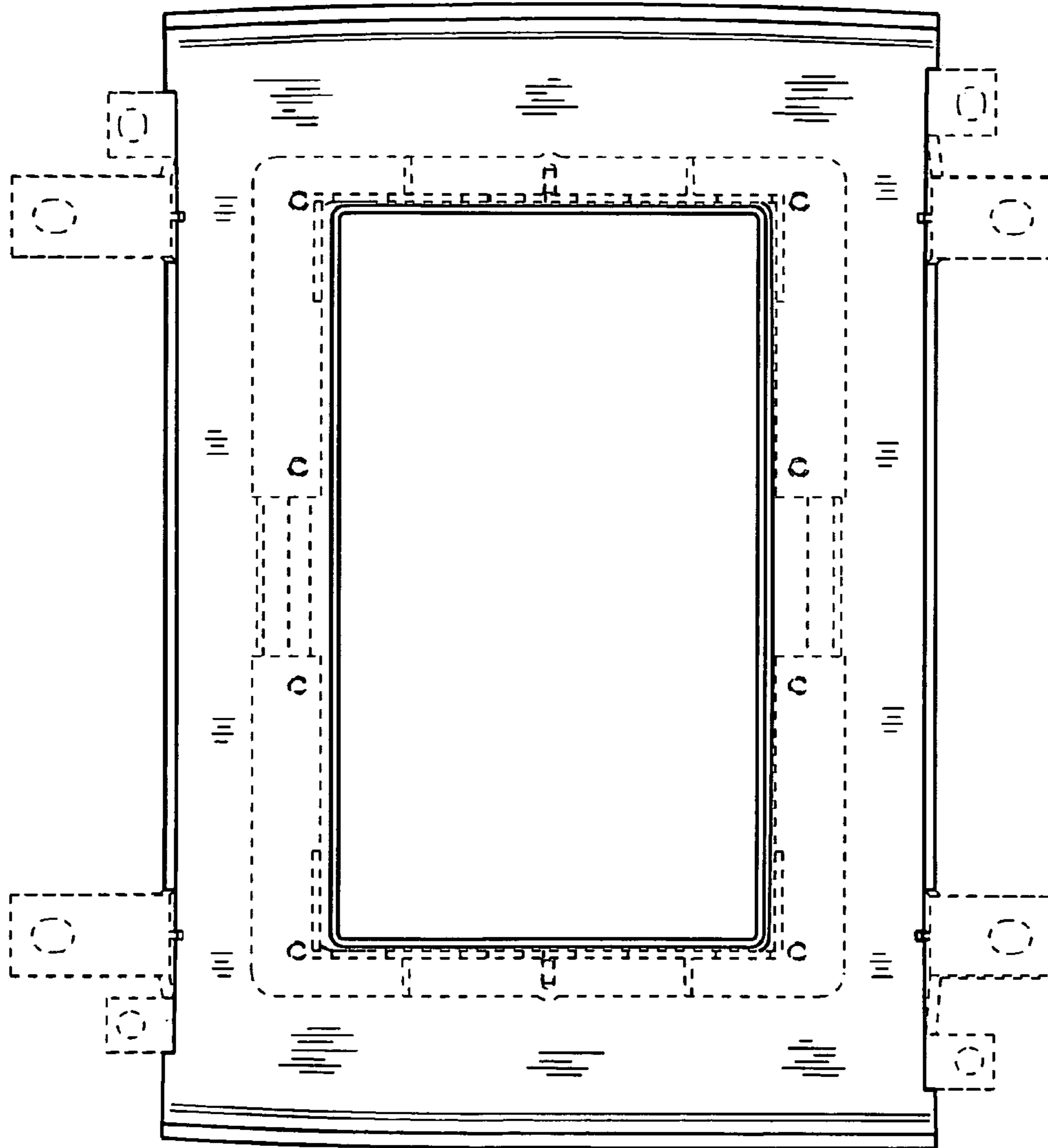


FIG. 3

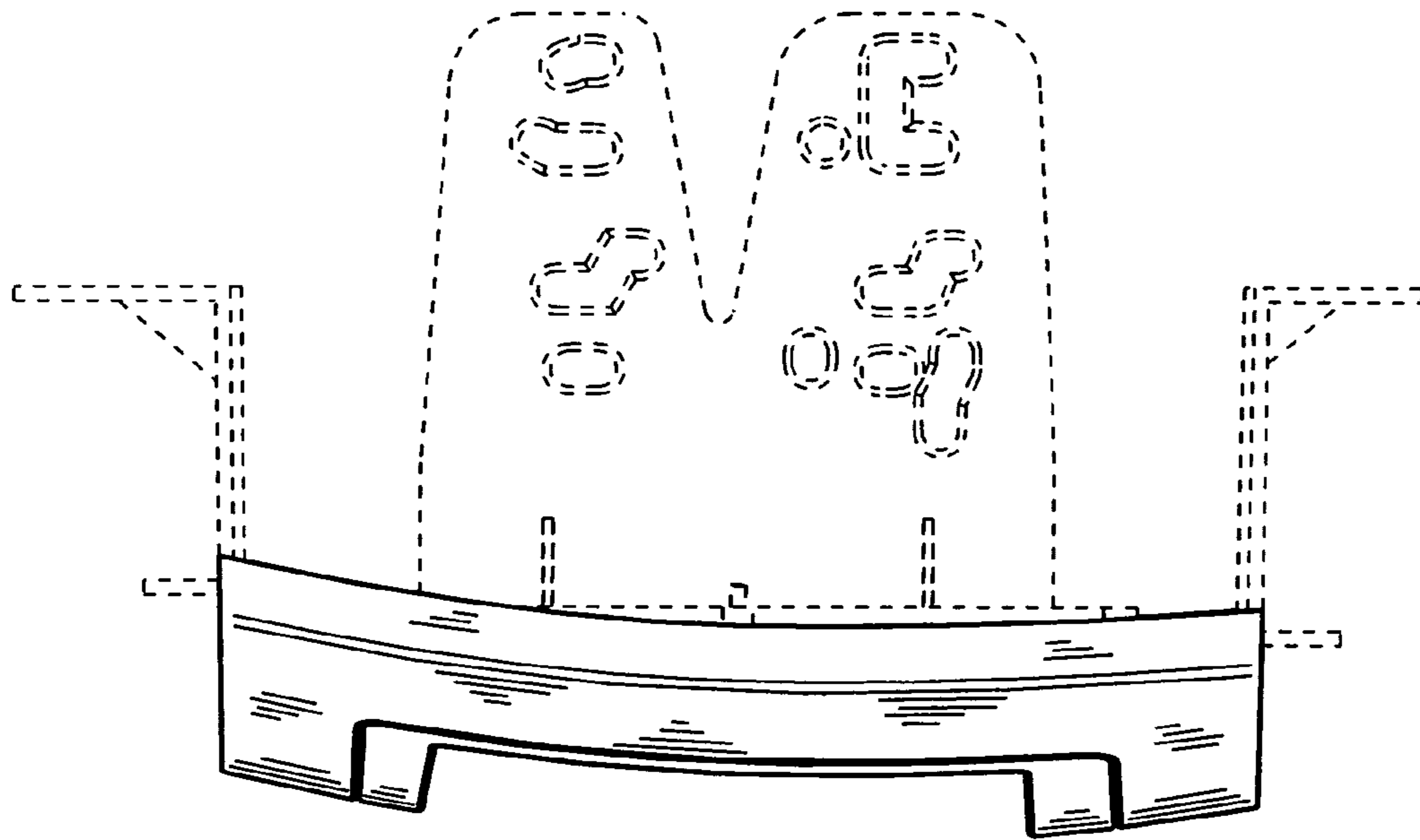


FIG. 4

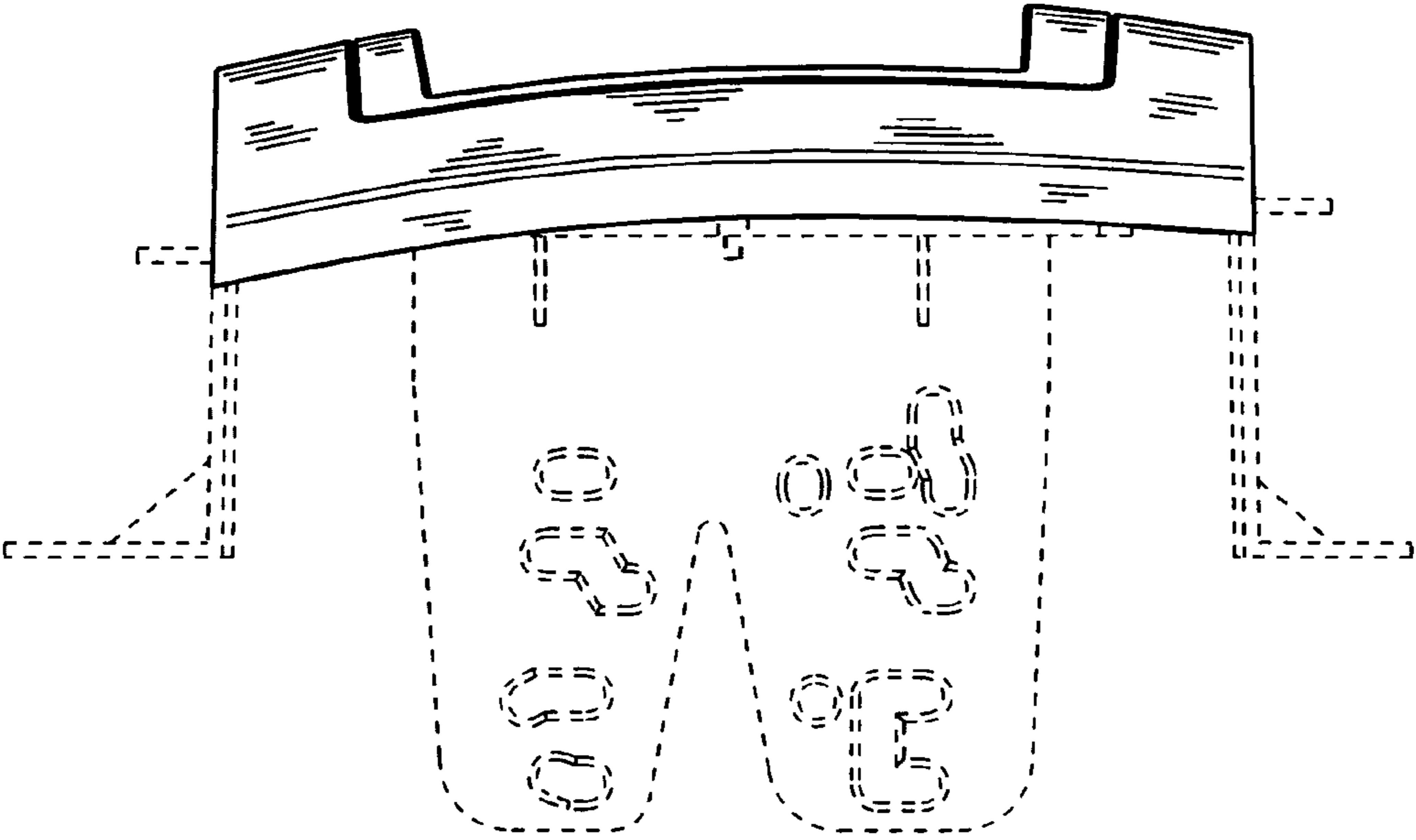


FIG. 5

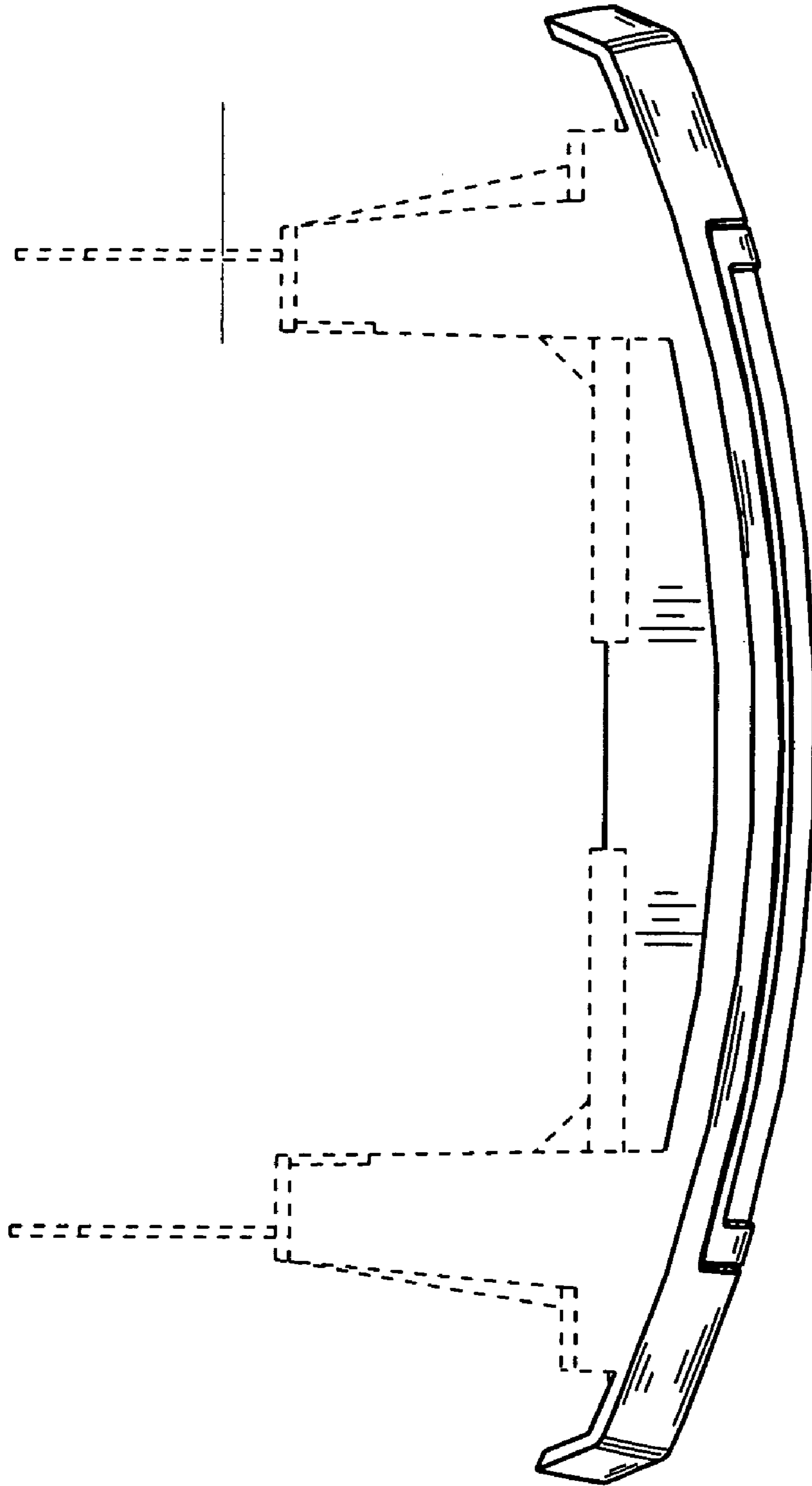


FIG. 6

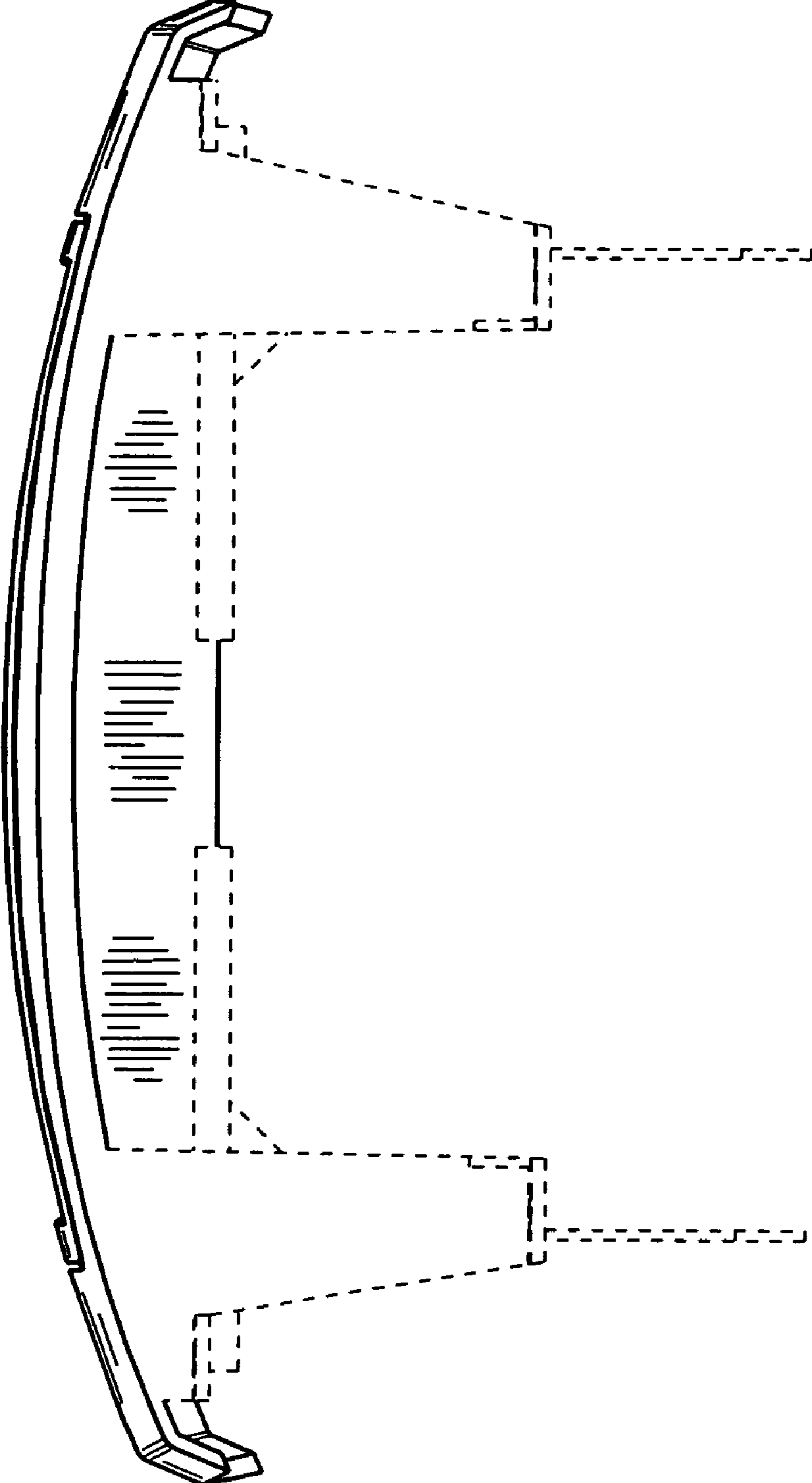


FIG. 7