

US00D545659S

(12) **United States Design Patent**
Jimenez

(10) **Patent No.:** **US D545,659 S**

(45) **Date of Patent:** **** Jul. 3, 2007**

(54) **HANDLE PORTION**

(75) Inventor: **Eduardo J. Jimenez**, Manalapan, NJ
(US)

(73) Assignee: **KC Holdings, LLC**

(**) Term: **14 Years**

(21) Appl. No.: **29/217,813**

(22) Filed: **Nov. 23, 2004**

Related U.S. Application Data

(63) Continuation-in-part of application No. 29/195,532,
filed on Dec. 15, 2003, now Pat. No. Des. 519,819.

(51) **LOC (8) Cl.** **08-05**

(52) **U.S. Cl.** **D8/107**

(58) **Field of Classification Search** D8/10,
D8/83, 45, 107, 14, 21, 75, 82, 95; 81/436-440,
81/177.1; 15/235.4, 235.5; 30/147-150,
30/340, 345; 16/421-422; 294/49

See application file for complete search history.

(56) **References Cited**

U.S. PATENT DOCUMENTS

190,459	A *	5/1877	Wilkinson	81/489
418,167	A *	12/1889	Copelin	81/33
D197,501	S *	2/1964	Huxtable	D8/83
3,173,462	A *	3/1965	Koeppel	81/436
3,174,462	A *	3/1965	Koeppel	81/436
D371,499	S	7/1996	Gomas	D8/107
D389,709	S *	1/1998	Cirincione	D8/14
D398,828	S	9/1998	Shiao	D8/83
D405,341	S	2/1999	Hsu	D8/107
D408,252	S	4/1999	Holland-Letz	D8/83
D408,258	S *	4/1999	Tsai	D8/107
D418,035	S *	12/1999	Hatch	D8/83
D419,846	S *	2/2000	Hasan	D8/83
D434,630	S *	12/2000	Oliver et al.	D8/83
D436,822	S *	1/2001	Douglas	D8/83
D442,049	S *	5/2001	Shu	D8/83
D442,053	S	5/2001	Jimenez	D8/95
D445,658	S	7/2001	Dierolf	D8/83

D446,105	S	8/2001	Hsiao	D8/107
D455,944	S	4/2002	Chen	D8/107
D456,686	S	5/2002	Holland-Letz	D8/83
D465,987	S *	11/2002	Lin	D8/107
D474,097	S *	5/2003	Hsiao	D8/107
D483,638	S *	12/2003	Jimenez	D8/83
D486,046	S *	2/2004	Norton	D8/45
D486,050	S *	2/2004	Rampen	D8/83
D486,717	S *	2/2004	Chen	D8/107
D487,690	S *	3/2004	Hu	D8/83
D494,038	S *	8/2004	Shih	D8/107
D494,443	S *	8/2004	Saunders	D8/107
D506,658	S *	6/2005	Jimenez	D8/45
D507,733	S *	7/2005	Liu	D8/83
D509,718	S *	9/2005	Jimenez	D8/45
D511,082	S *	11/2005	Chen	D8/80
6,976,411	B1 *	12/2005	Yu	81/177.2

OTHER PUBLICATIONS

Copending U.S. Appl. No. 29/195,532, 29/211,627; 29/211,619,
29/211,621; 29/211,620, 29/211,617 and 29/211,618 to Jimenez.

* cited by examiner

Primary Examiner—Alan P. Douglas

Assistant Examiner—Barbara Fox

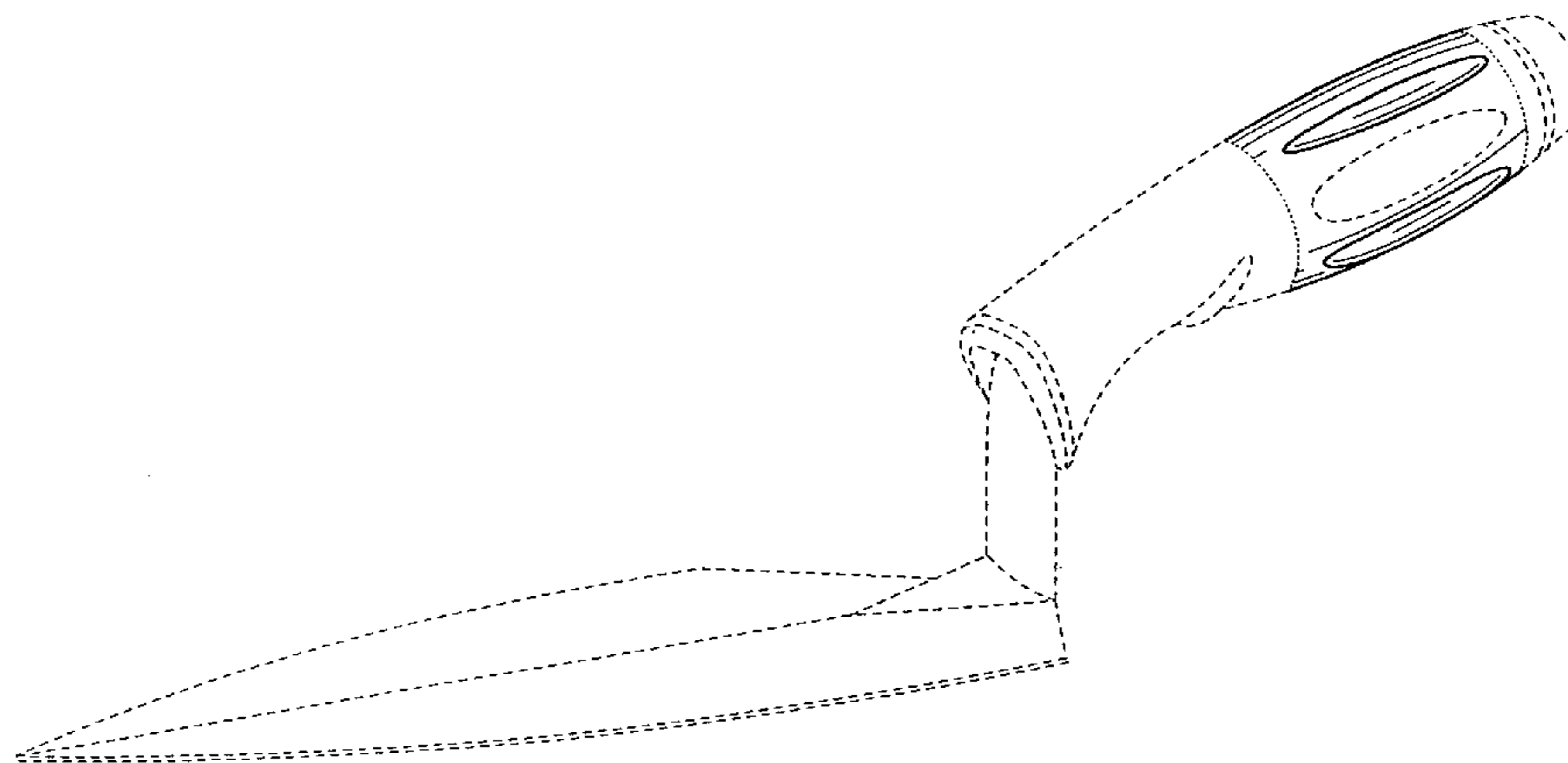
(74) *Attorney, Agent, or Firm*—Wolff Law Offices, PLLC;
Kevin Alan Wolff

(57) **CLAIM**

The ornamental design for a handle portion, as shown and
described.

DESCRIPTION

FIG. 1 is a perspective view of a first embodiment of the
handle portion showing my new design looking downwardly
at a front and left side thereof, and showing a tool blade and
unclaimed portion of the handle to the left and right of the
center portion of the handle in broken lines attached to the
handle on the outer sides of two dotted demarcation lines;
FIG. 2 is a left elevation view of a first embodiment of the
handle portion and the attached blade and unclaimed portion
of the handle left and right of the center portion of the handle
in broken lines attached to the handle on the outer sides of
two dotted demarcation lines;



and right of the center portion of the handle in broken lines on the outer sides of two dotted demarcation lines;

FIG. 29 is a perspective view of a sixth embodiment of the handle portion showing my new design looking downwardly at a front and left side thereof, and showing a tool blade and tang attached to the handle and unclaimed portion of the handle to the left and right of the center portion of the handle in broken lines on the outer sides of two dotted demarcation lines;

FIG. 30 is a left elevation view of the sixth embodiment of the handle portion and a portion of the attached tang attached to the handle and unclaimed portions of the handle to the left and right of the center portion of the handle in broken lines on the outer sides of two dotted demarcation lines;

FIG. 31 is a front elevation view of the sixth embodiment of the handle portion and a disconnected portion of the attached blade and tang and unclaimed portion of the handle in broken lines to the outside of the dotted demarcation lines;

FIG. 32 is a rear elevation view of the sixth embodiment of the handle portion with the blade and unclaimed portion of the handle in broken lines to the inside and outside of the dotted demarcation lines;

FIG. 33 is a top plan view of the sixth embodiment of the handle portion and a portion of the attached tang and unclaimed portion of the handle to the left and right of the center portion of the handle in broken lines on the outer sides of two dotted demarcation lines;

FIG. 34 is a bottom plan view of the sixth embodiment of the handle portion and the attached tang (disconnected from the handle for clarity) and unclaimed portion of the handle to the left and right of the center portion of the handle in broken lines on the outer sides of two dotted demarcation lines;

FIG. 35 is a perspective view of a seventh embodiment of the handle portion showing my new design looking downwardly at a front and left side thereof, and showing a tool brick or block attached to the handle and unclaimed portion of the handle to the left and right of the center portion of the handle in broken lines on the outer sides of two dotted demarcation lines;

FIG. 36 is a left elevation view of the seventh embodiment of the handle portion and a brick or block attached to the handle and unclaimed portions of the handle to the left and right of the center portion of the handle in broken lines on the outer sides of two dotted demarcation lines;

FIG. 37 is a front elevation view of the seventh embodiment of the handle portion and a brick or block part has been removed while the unclaimed portion of the handle is shown in broken lines below the dotted demarcation lines;

FIG. 38 is a top plan view of the seventh embodiment of the handle portion and the brick or block and unclaimed portion of the handle on all sides of the center portion of the handle are in broken lines on the outer sides of two dotted demarcation lines;

FIG. 39 is a perspective view of an eighth embodiment of a handle portion showing my new design looking downwardly at a front and left side thereof, and showing a tool blade and unclaimed portion of the handle to the left and right of the center portion of the handle in broken lines attached to the handle on the outer sides of two dotted demarcation lines;

FIG. 40 is a left elevation view of the eighth embodiment of the handle portion and the attached tool blade and unclaimed portion of the handle left and right of the center portion of

the handle in broken lines attached to the handle on the outer sides of two dotted demarcation lines;

FIG. 41 is a top plan view of the eighth embodiment of the handle portion with the tool blade removed and unclaimed portion of the handle left and right of the center portion of the handle in broken lines attached to the handle on the outer sides of two dotted demarcation lines;

FIG. 42 is a bottom plan view of the eighth embodiment of the handle portion with the tool blade removed and unclaimed portion of the handle left and right of the center portion of the handle in broken lines attached to the handle on the outer sides of two dotted demarcation lines;

FIG. 43 is a front plan view of the eighth embodiment of the handle portion with the tool blade removed and unclaimed portion of the handle above and below the center portion of the handle in broken lines attached to the handle below the dotted demarcation line;

FIG. 44 is a perspective view of a ninth embodiment of the handle portion showing my new design looking downwardly at a front and left side thereof, and showing a tool blade and connection arms attached to the handle and unclaimed portion of the handle to the left and right of the center portion of the handle in broken lines on the outer sides of two dotted demarcation lines;

FIG. 45 is a left elevation view of the ninth embodiment of the handle portion and the connection arms, without the blade, attached to the handle and unclaimed portions of the handle to the left and right of the center portion of the handle in broken lines on the outer sides of two dotted demarcation lines;

FIG. 46 is a front elevation view of the ninth embodiment of the handle portion and a disconnected portion of the connection arms, without the blade, and unclaimed portion of the handle in broken lines to the outside of the dotted demarcation lines;

FIG. 47 is a top plan view of the ninth embodiment of the handle portion with the blade and connection arms removed and unclaimed portion of the handle in broken lines to the inside and outside of the dotted demarcation lines;

FIG. 48 is a bottom plan view of the ninth embodiment of the handle portion with the blade and connection arms removed and unclaimed portion of the handle to the left and right of the center portion of the handle in broken lines on the outer sides of two dotted demarcation lines;

FIG. 49 is a perspective view of a tenth embodiment of a handle portion showing my new design looking upwardly at a front and right side thereof, and showing a tool shaft and blade and unclaimed portion of the handle to the left (above) and right (below) of the center portion of the handle in broken lines attached to the handle on the outer sides of two dotted demarcation lines;

FIG. 50 is a left elevation view of the tenth embodiment of the handle portion and the attached tool shaft and blade and unclaimed portion of the handle left and right of the center portion of the handle in broken lines attached to the handle on the outer sides of two dotted demarcation lines;

FIG. 51 is a bottom plan view of the tenth embodiment of the handle portion and a portion of the attached tool shaft (blade removed) and unclaimed portion of the handle left and right of the center portion of the handle in broken lines attached to the handle on the outer sides of two dotted demarcation lines;

FIG. 52 is a top plan view of the tenth embodiment of the handle portion and the attached tool shaft (blade removed) and unclaimed portion of the handle left and right of the center portion of the handle in broken lines attached to the handle on the outer sides of two dotted demarcation lines;

FIG. 53 is a front elevation view of the tenth embodiment of the handle portion and a portion of the attached tool shaft (blade removed) and unclaimed portion of the handle above and below the center portion of the handle in broken lines on the outer sides of the dotted demarcation lines;

FIG. 54 is a rear elevation view of the tenth embodiment of the handle portion and the attached tool shaft and blade removed and unclaimed portion of the handle above and below the center portion of the handle in broken lines on the outer sides of the dotted demarcation lines;

FIG. 55 is a perspective view of an eleventh embodiment of a handle portion showing my new design looking upwardly at a front and right side thereof, and showing a tool shaft and blade and unclaimed portion of the handle to the left (above) and right (below) of the center portion of the handle in broken lines attached to the handle on the outer sides of two dotted demarcation lines;

FIG. 56 is a top plan view of the eleventh embodiment of the handle portion and a portion of the attached tool blade and unclaimed portion of the handle left (above) and right (below) of the center portion of the handle in broken lines attached to the handle on the outer sides of two dotted demarcation lines;

FIG. 57 is a left elevation view of the eleventh embodiment of the handle portion and a portion of the attached tool blade and unclaimed portion of the handle left (above) and right (below) of the center portion of the handle in broken lines attached to the handle on the outer sides of two dotted demarcation lines;

FIG. 58 is a top plan view of the eleventh embodiment of the handle portion and a portion of the attached tool blade removed and unclaimed portion of the handle in broken lines attached to the handle on the outer side of the dotted demarcation line; and,

FIG. 59 is a rear plan view of the eleventh embodiment of the handle portion and the attached tool blade and unclaimed portion of the handle in broken lines attached to the handle on the outer sides of the dotted demarcation line.

The broken lines showing the tool blade, shaft, brick, block or head, the unclaimed portion of the handle, the broken line ovals or other shapes on the side(s) of the handle, and the broken lines around the front and rear circumference of the handle are for illustrative purposes only and forms no part of the claimed design. The demarcation lines on either side of the center of the side view of the handle delineates the claimed portion of the handle to the center from the unclaimed portion of the handle to the left (top) and right (bottom).

1 Claim, 47 Drawing Sheets

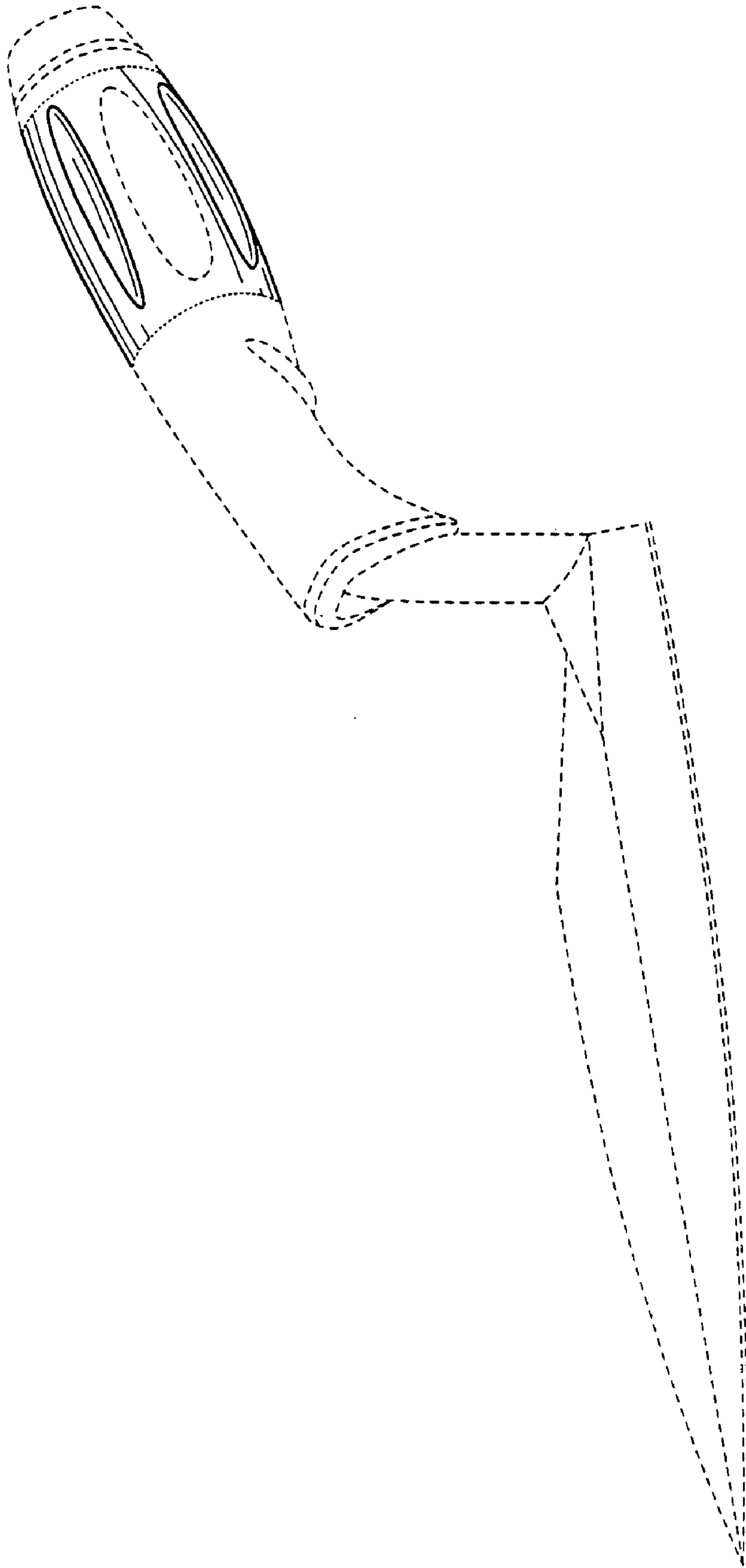


FIG. 1

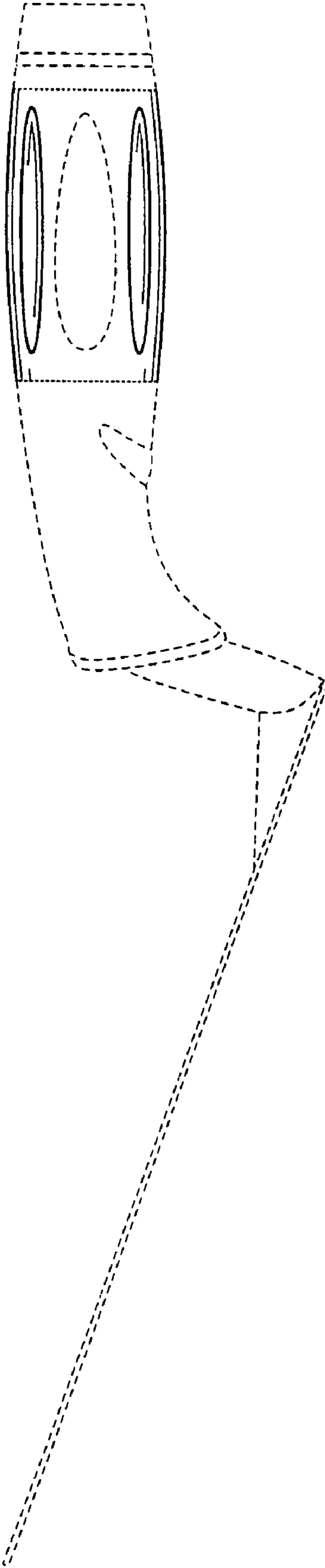


FIG. 2

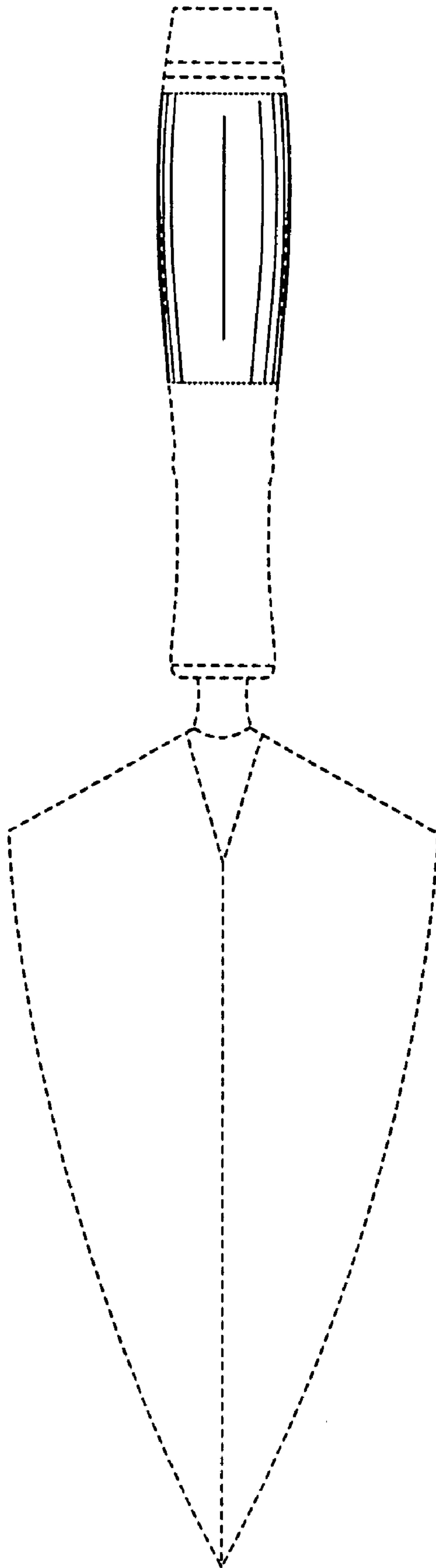


FIG. 3

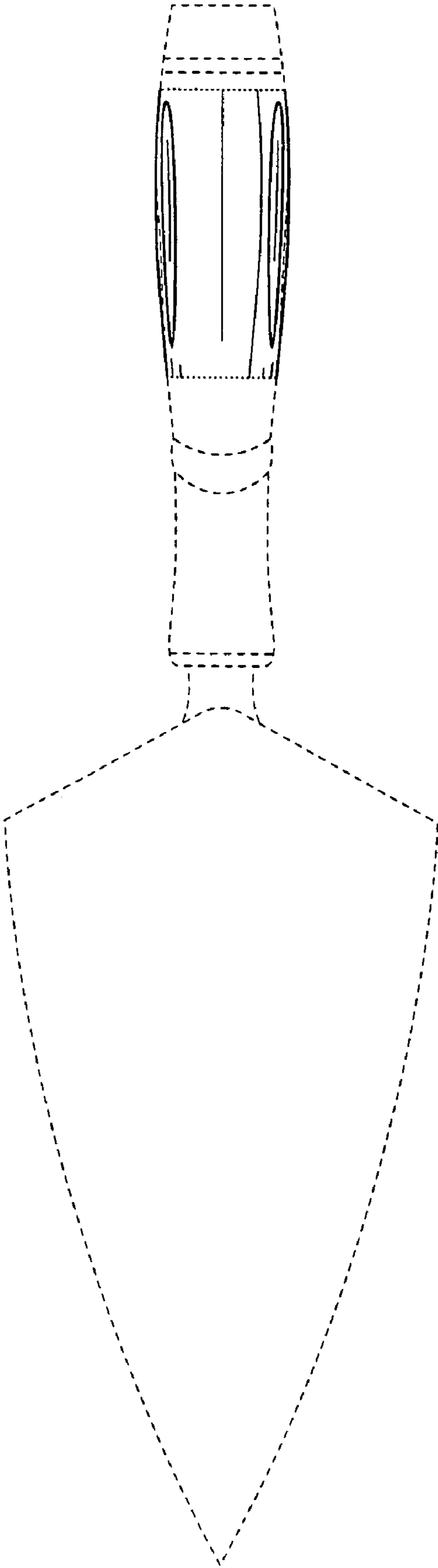


FIG. 4

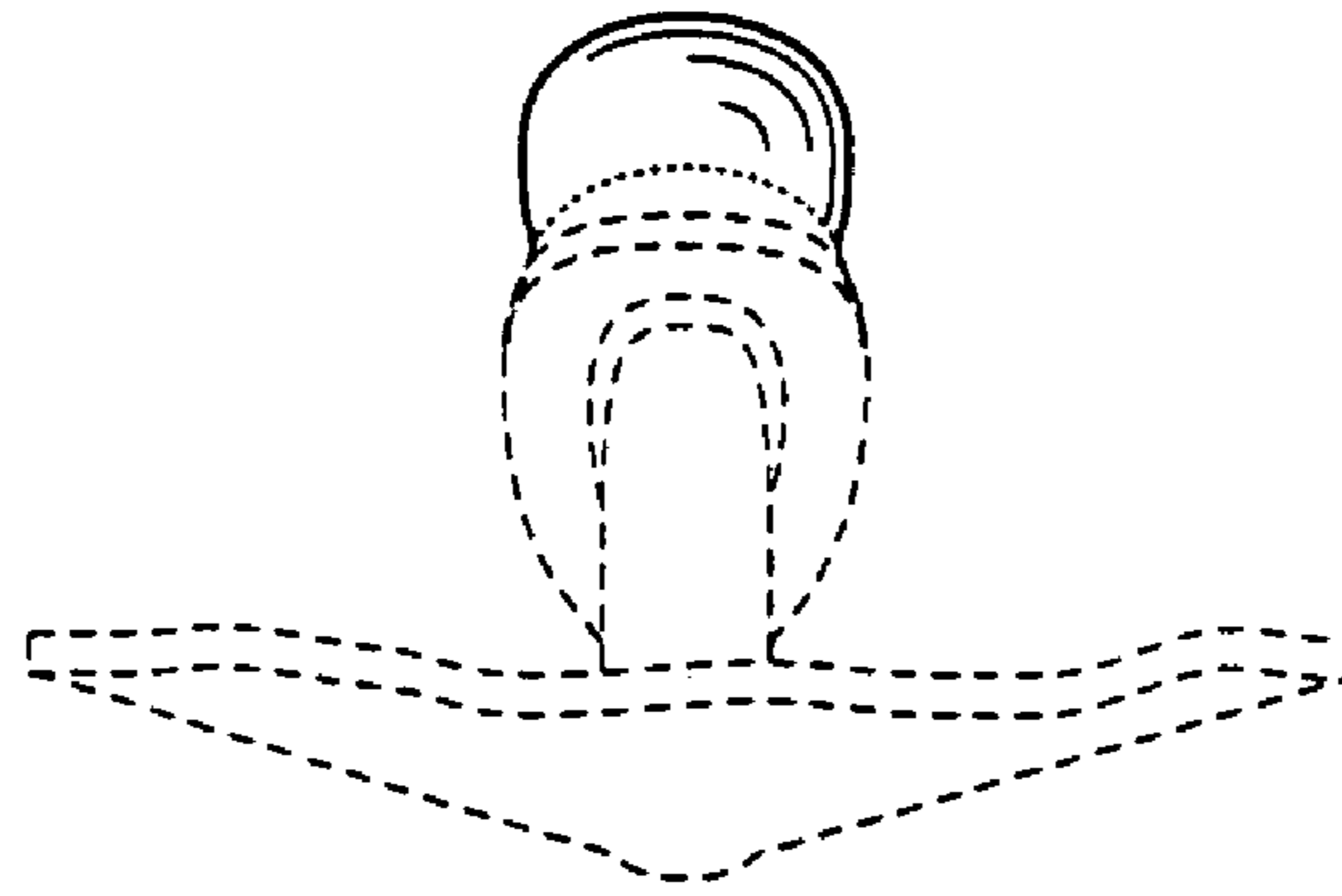


FIG. 5

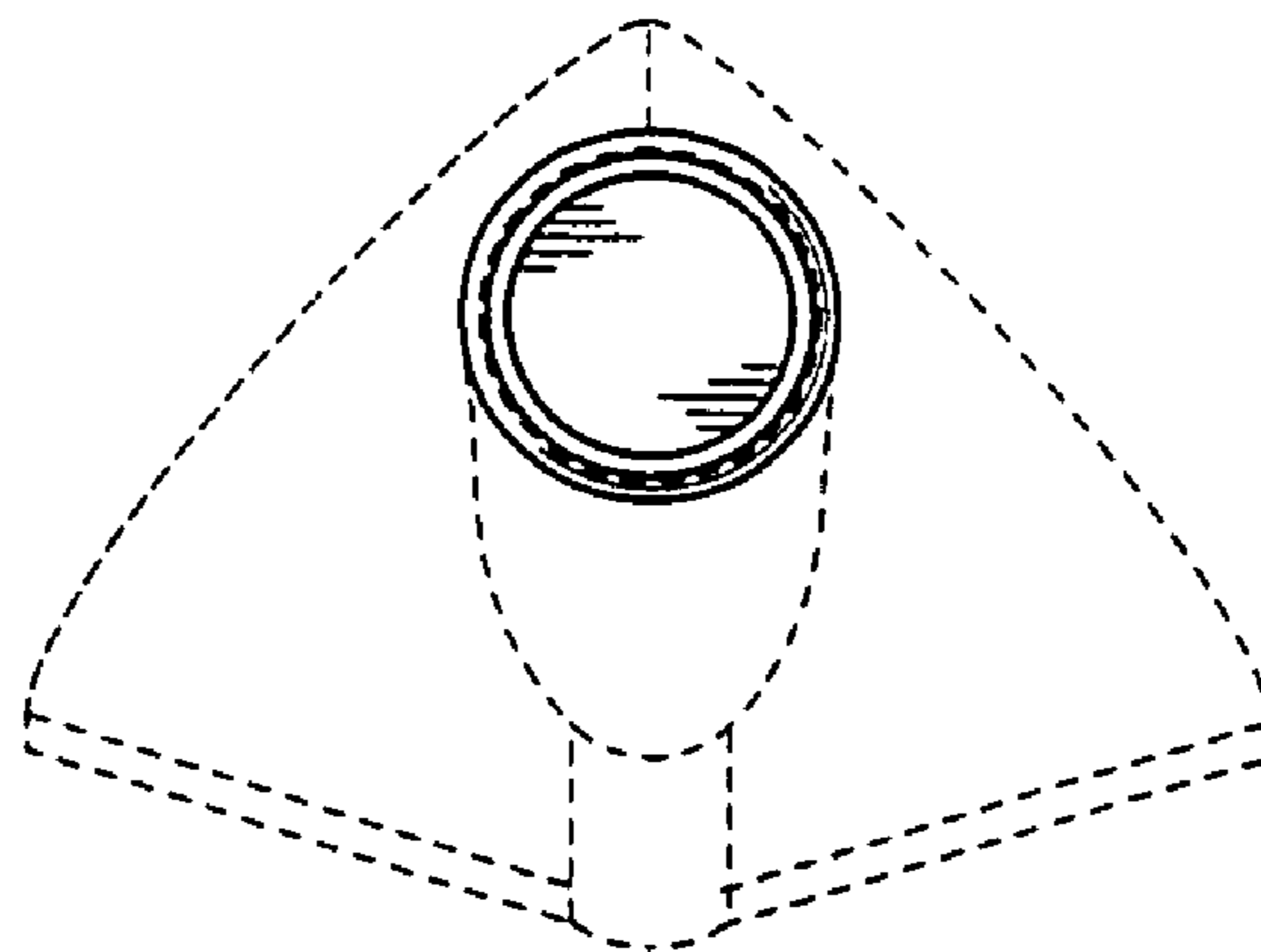
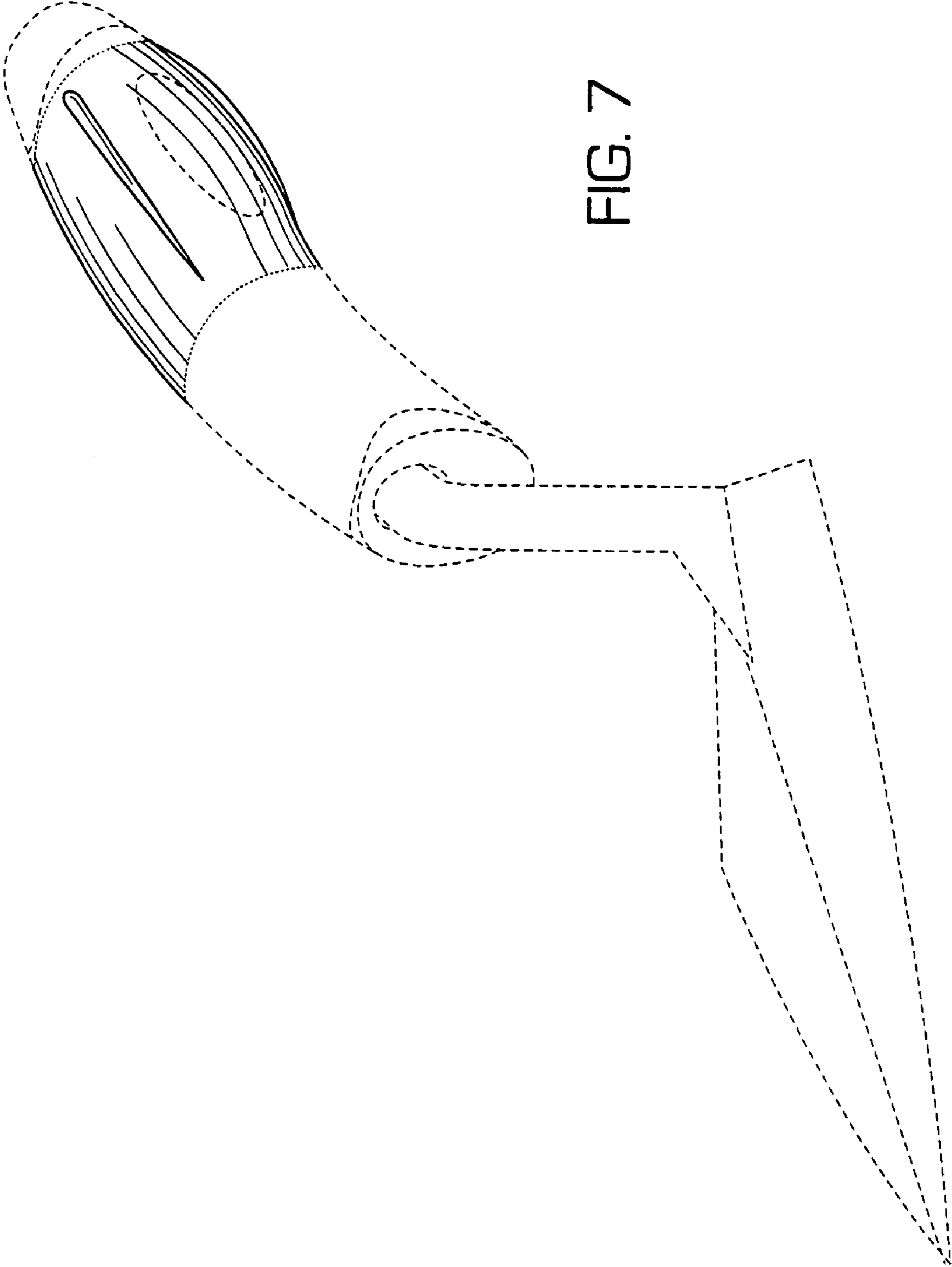


FIG. 6



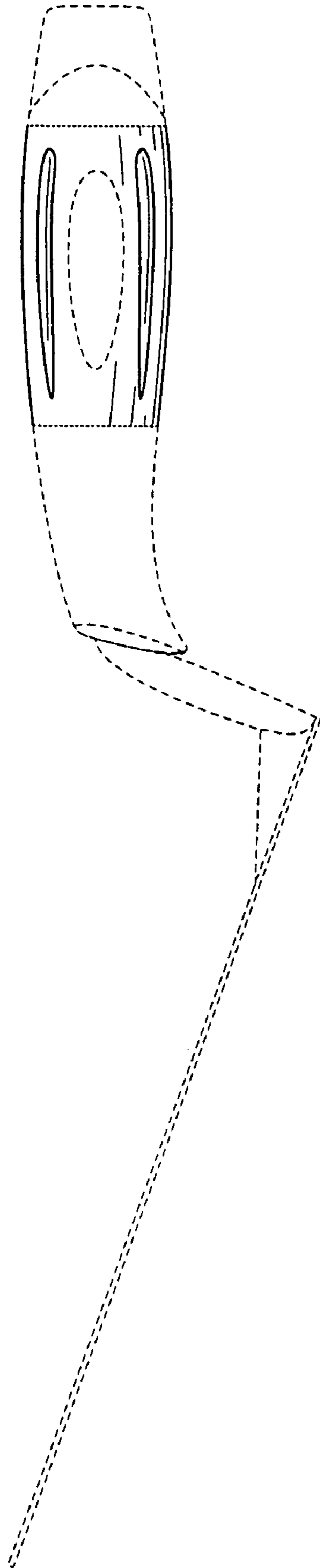


FIG. 8

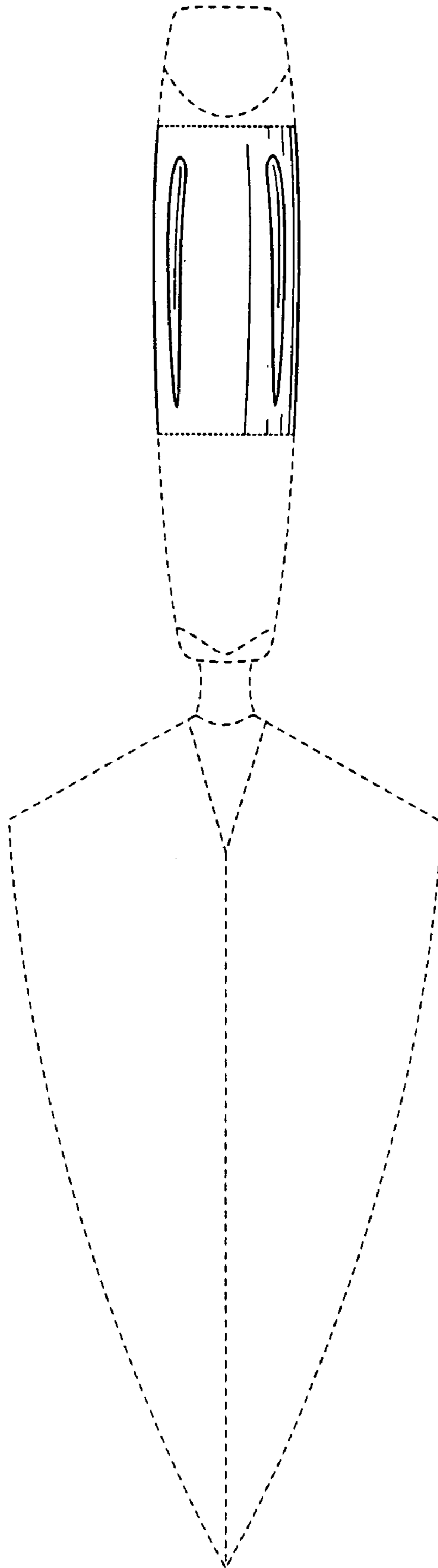


FIG. 9

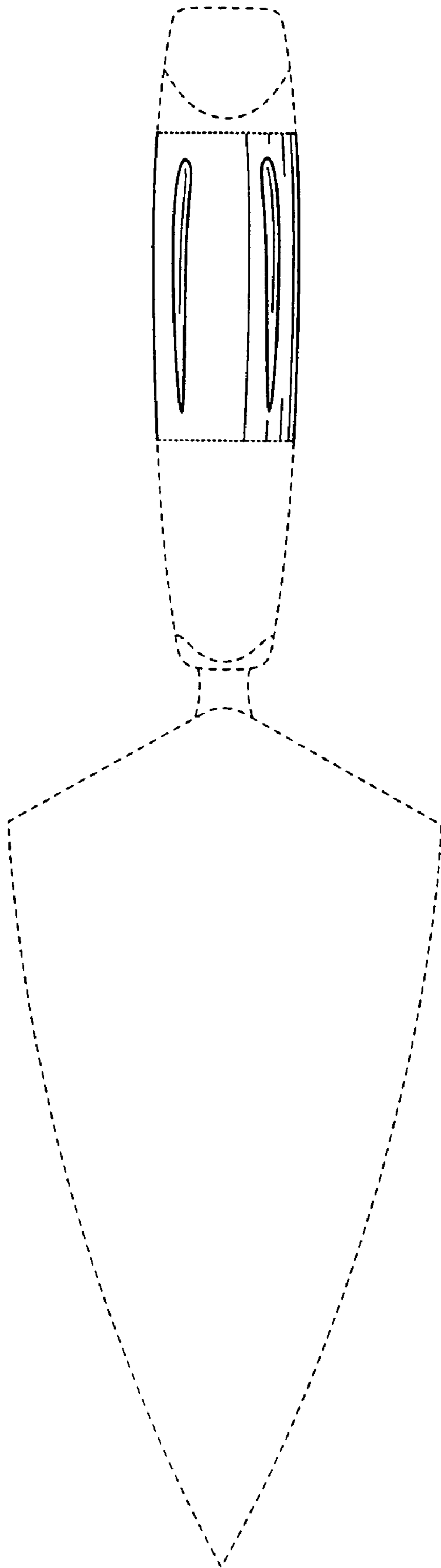


FIG. 10

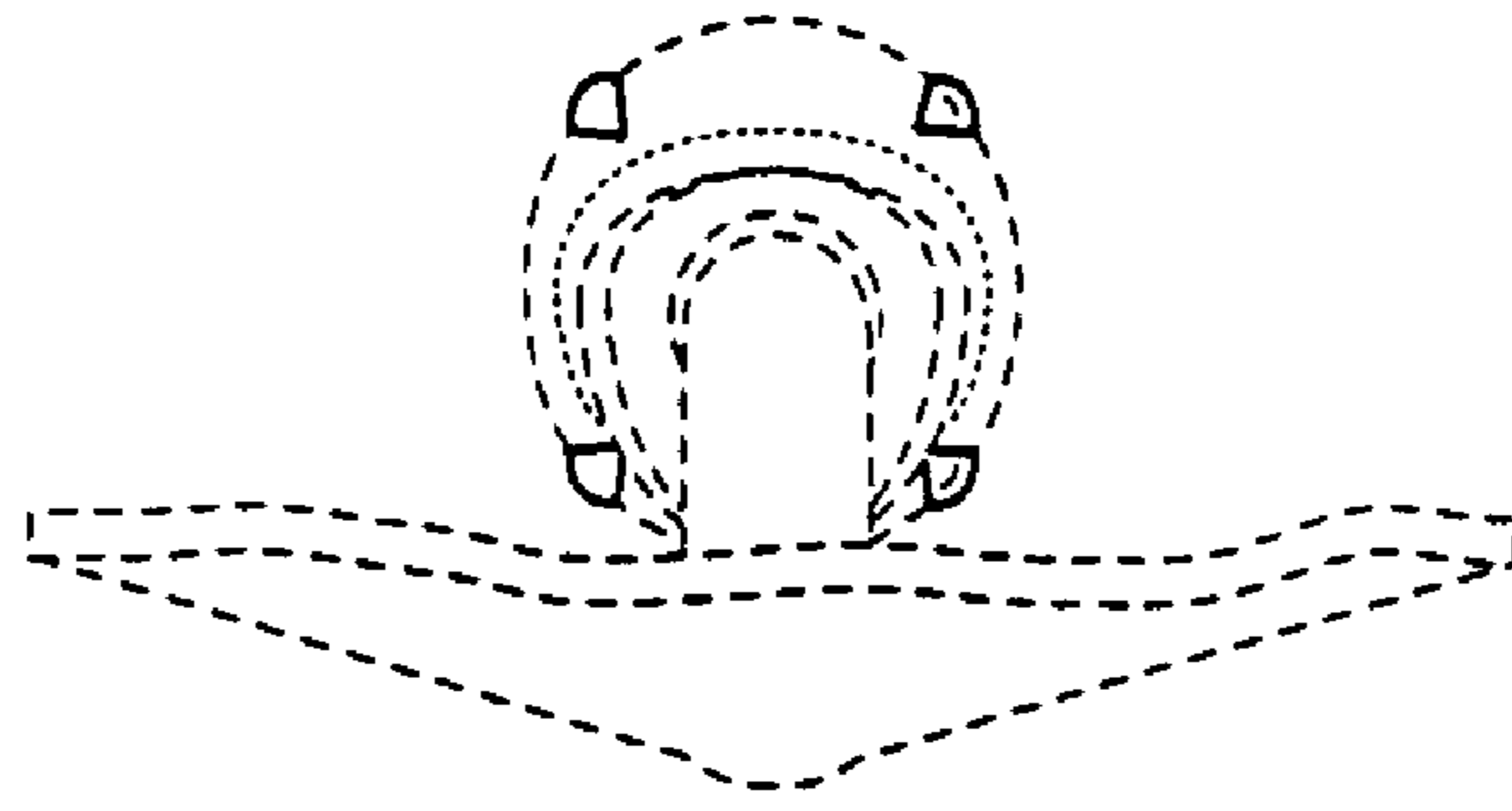


FIG. 11

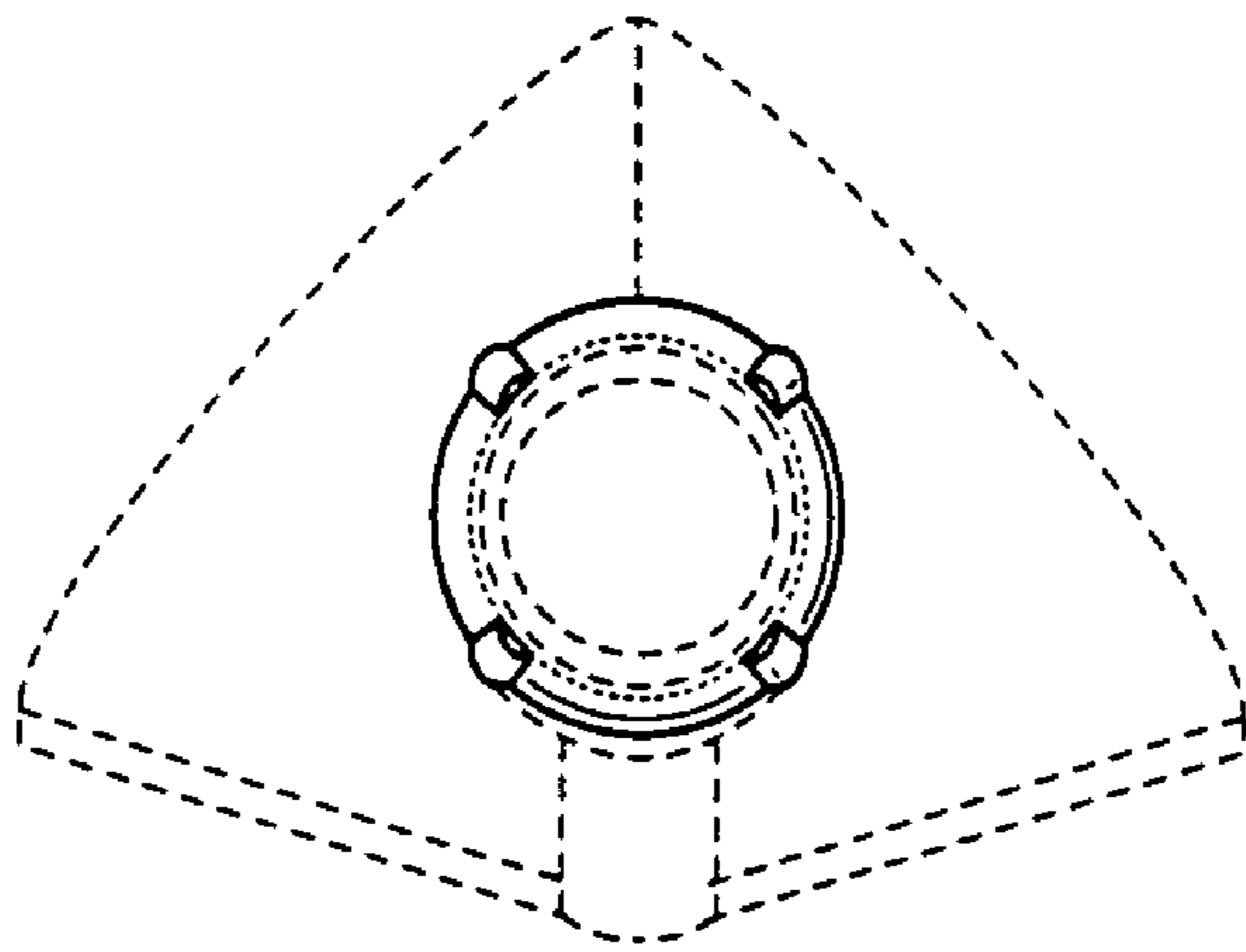


FIG. 12

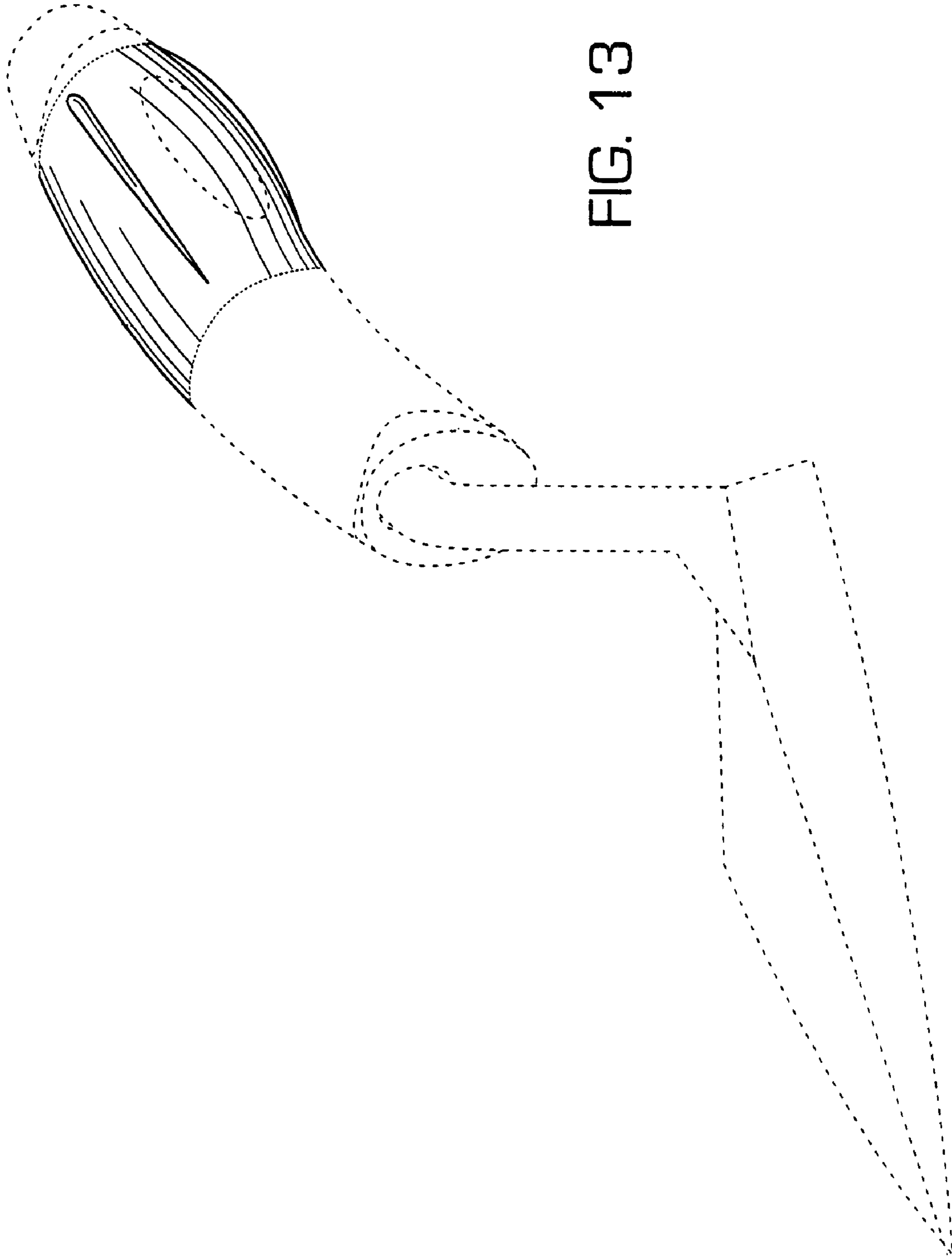


FIG. 13

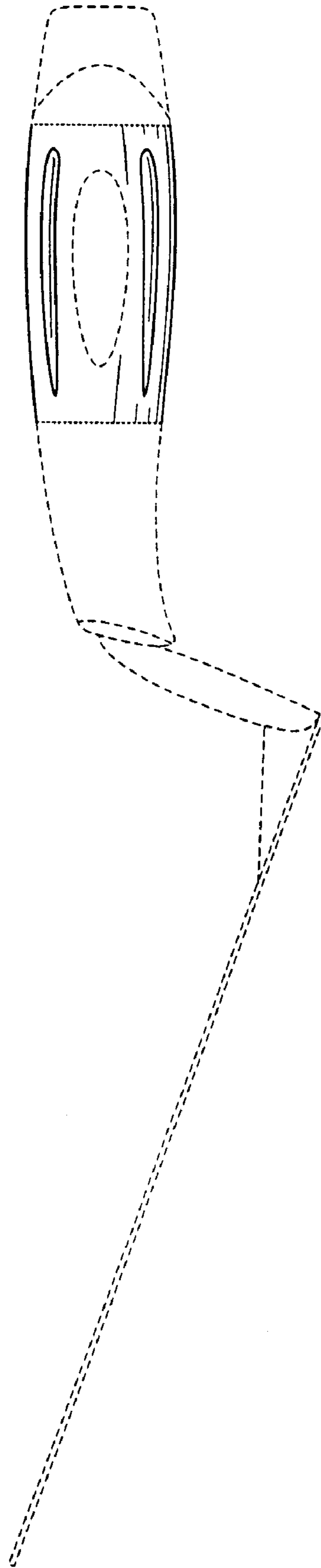


FIG. 14

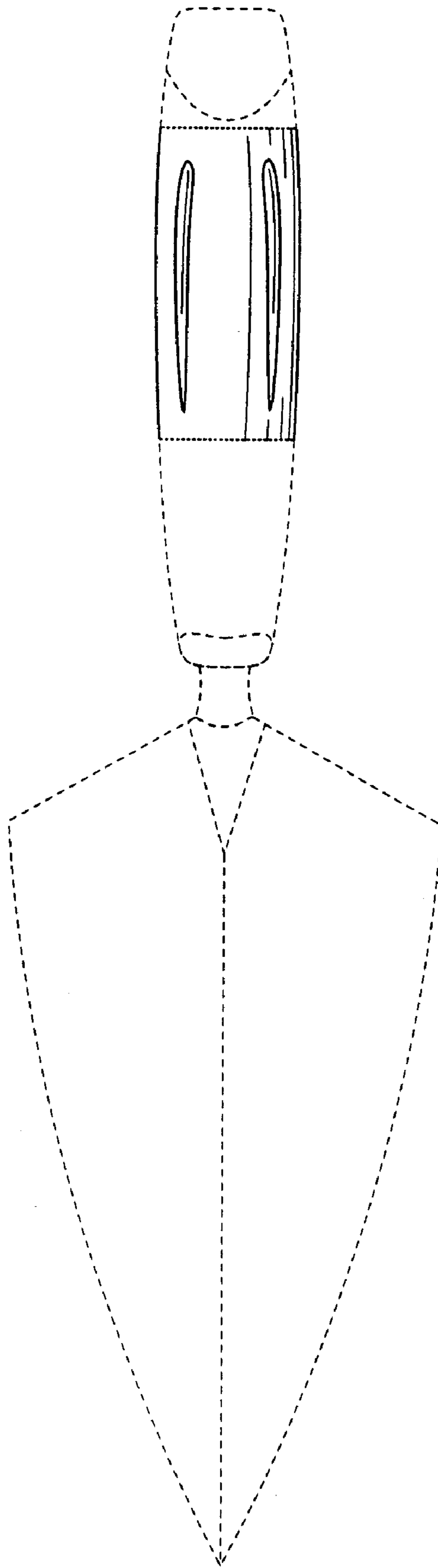


FIG. 15

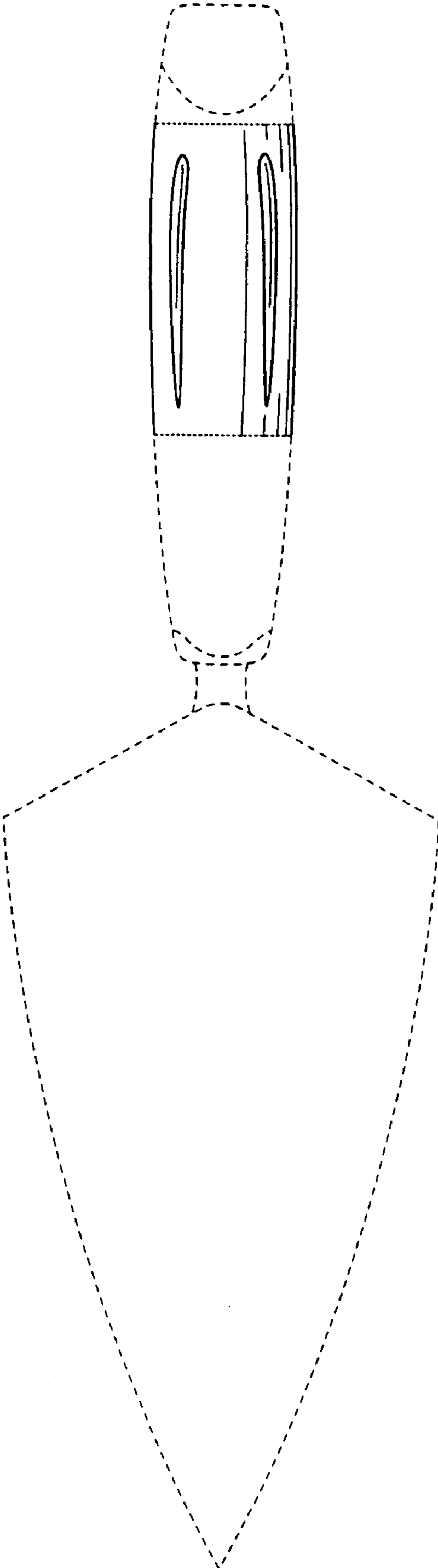


FIG. 16

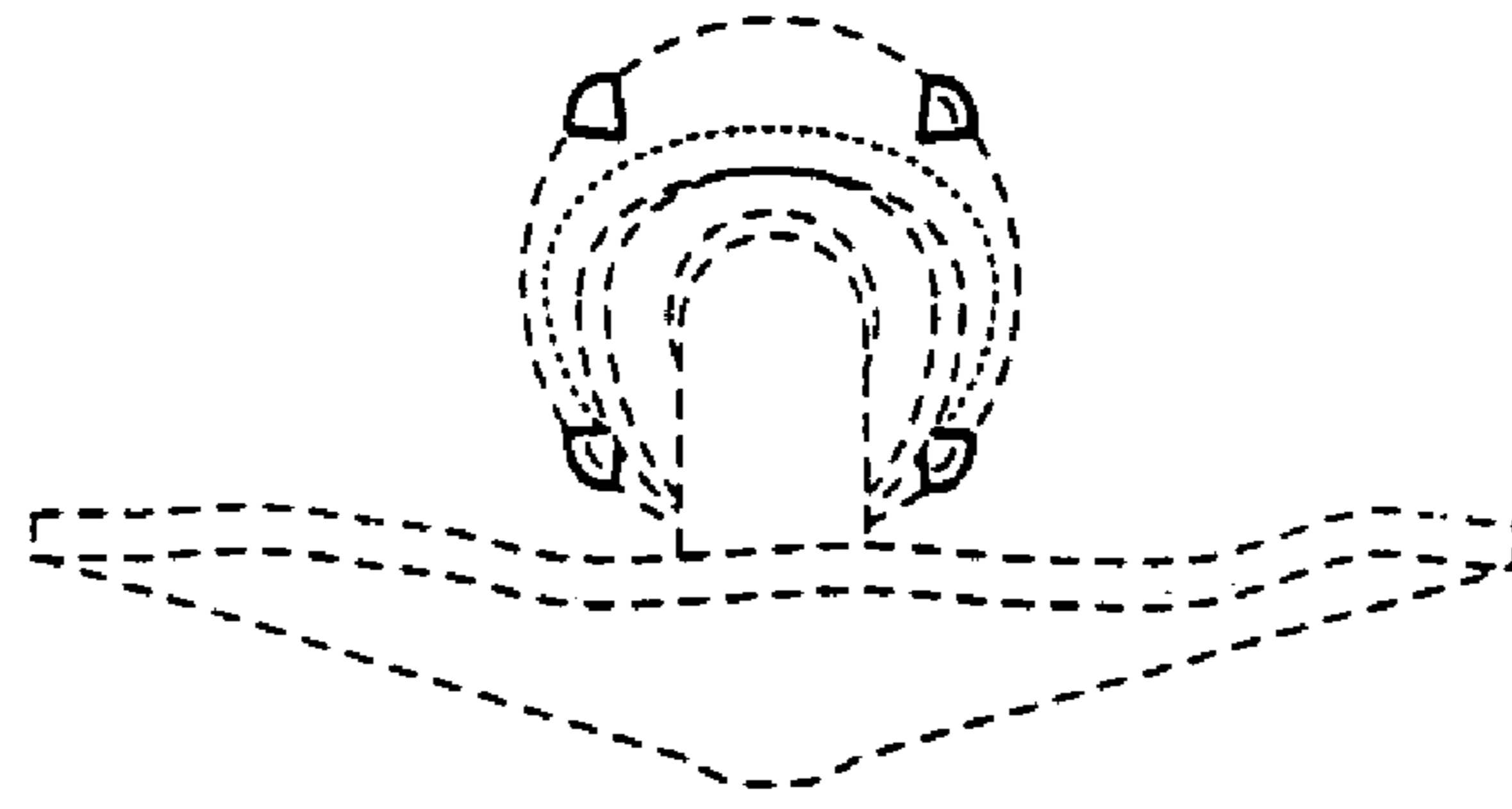


FIG. 17

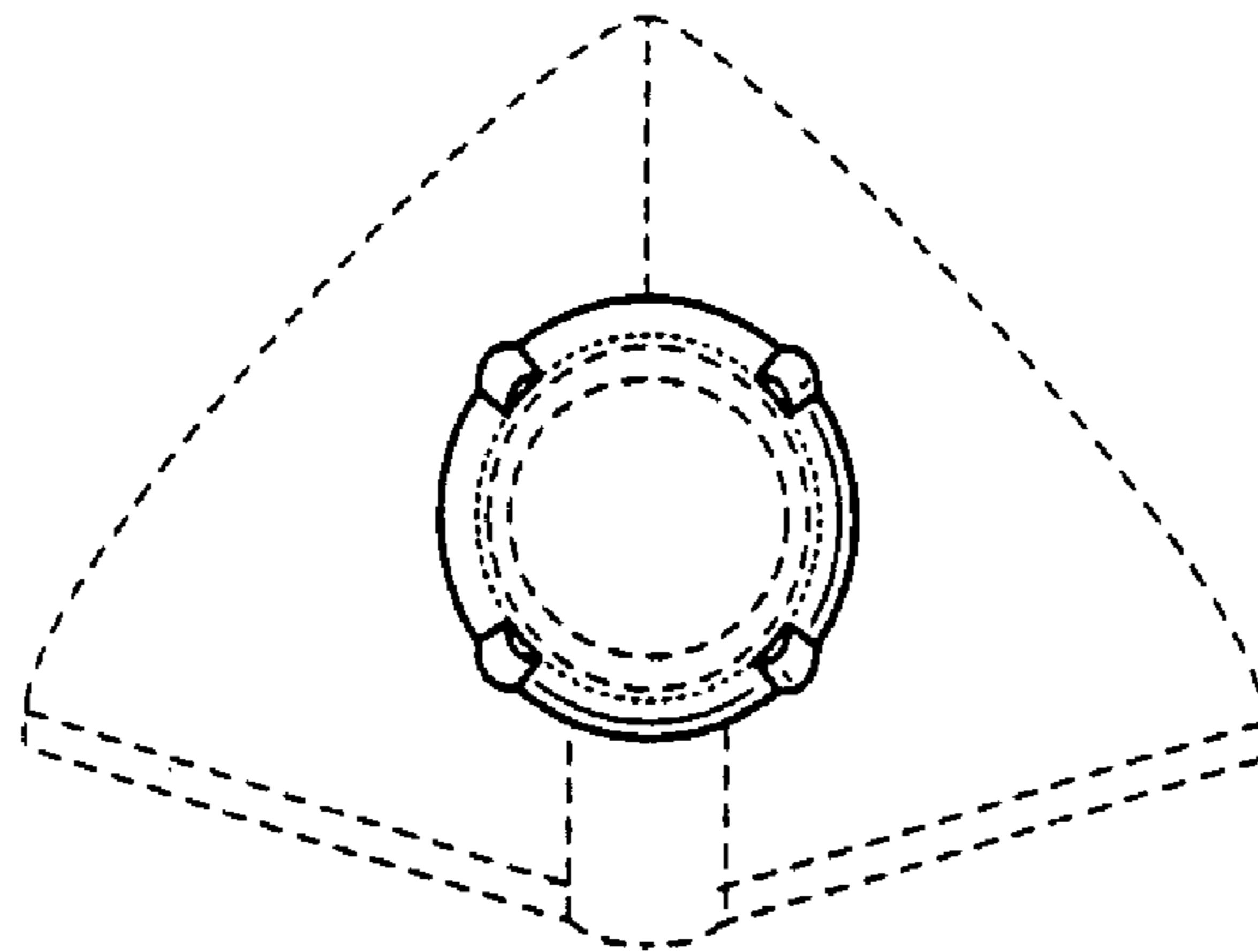


FIG. 18

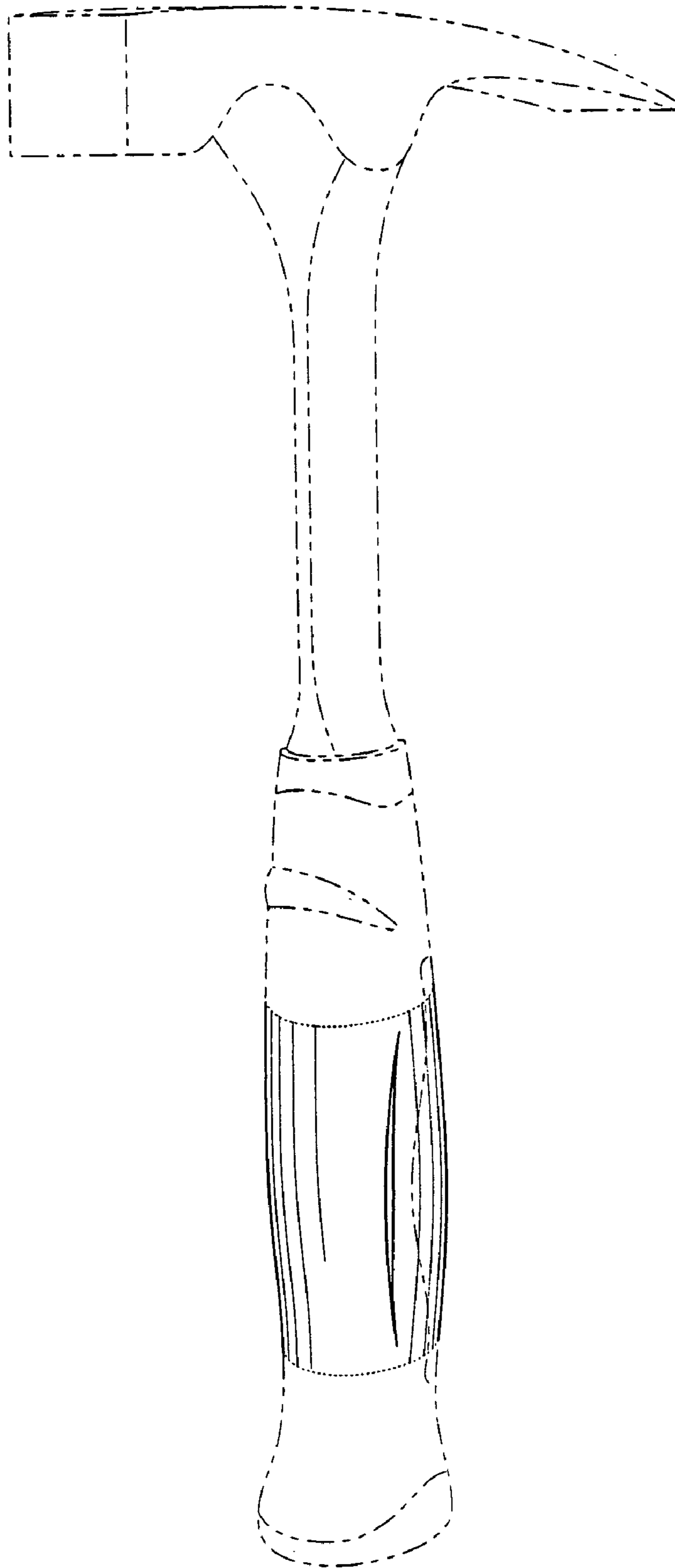


FIG. 19

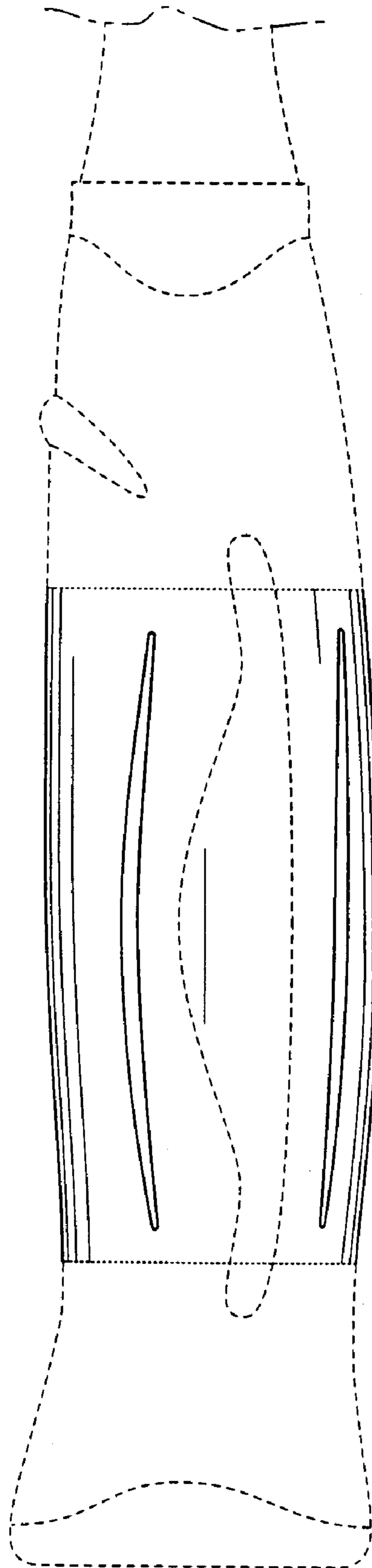


FIG. 20

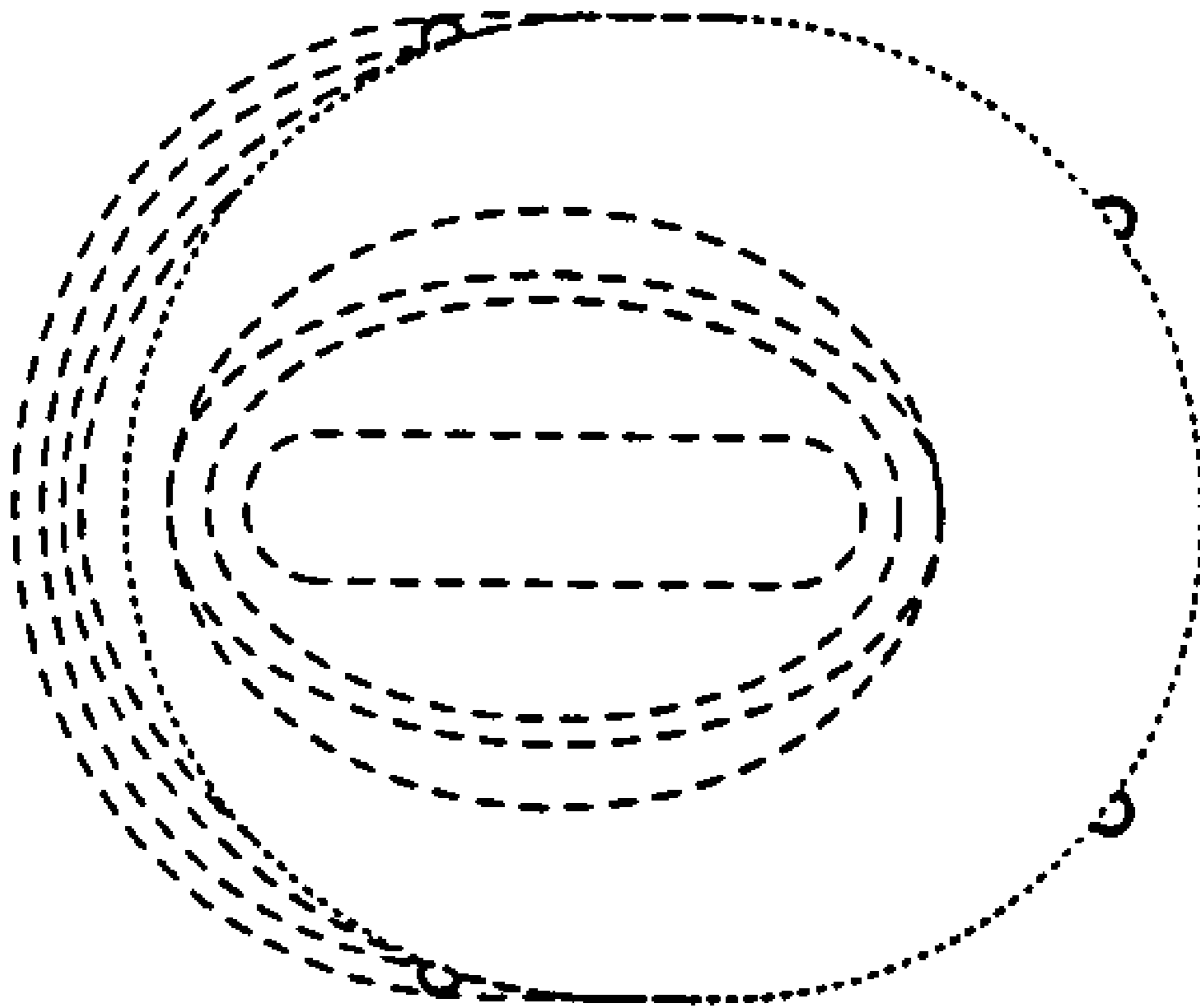


FIG. 21

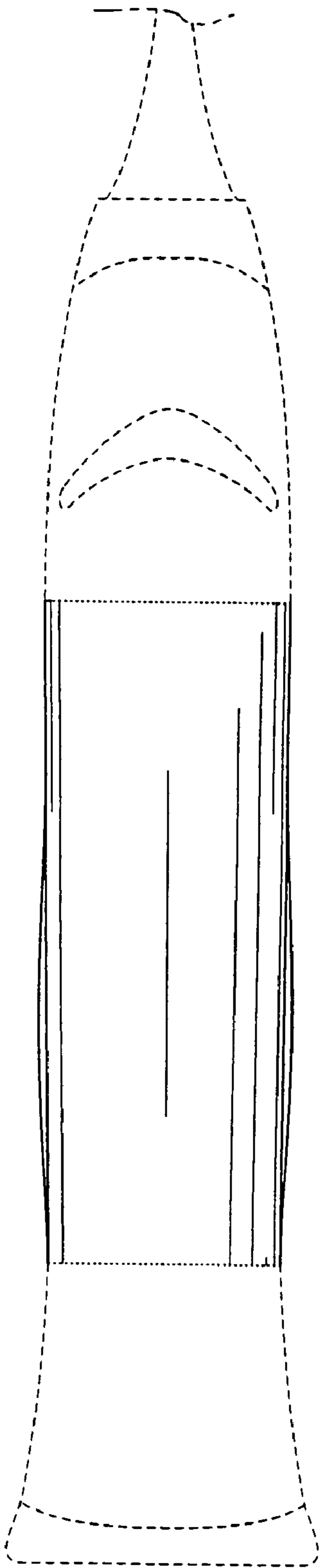


FIG. 22

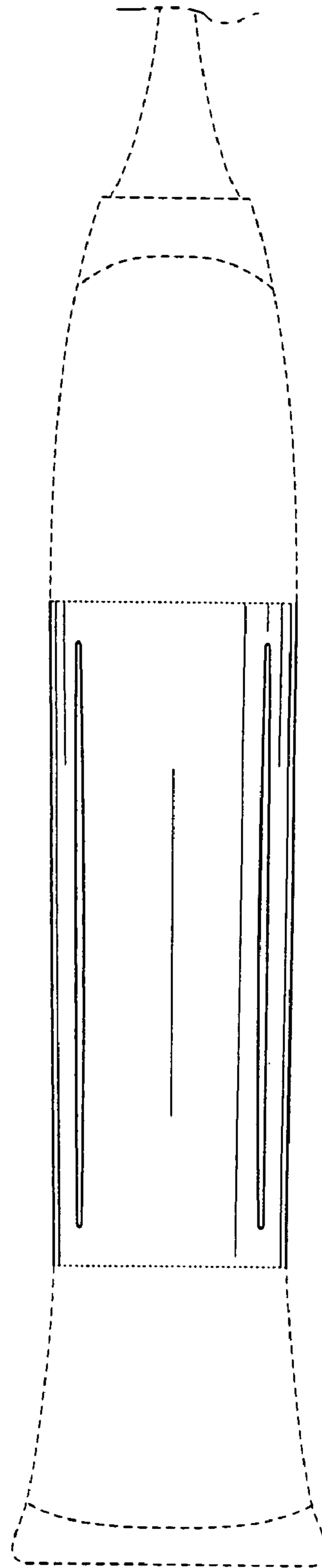


FIG. 23

FIG. 24

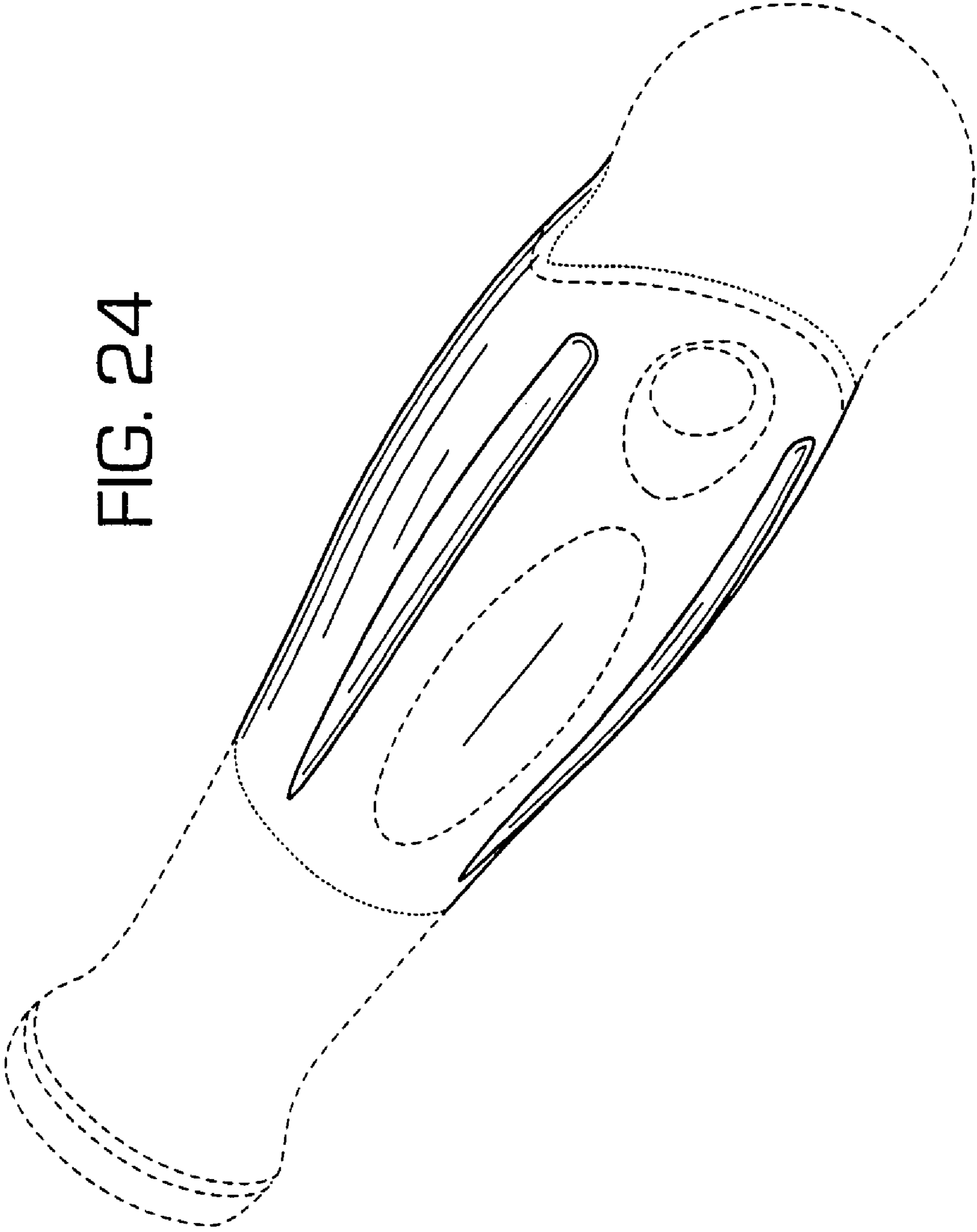


FIG. 25

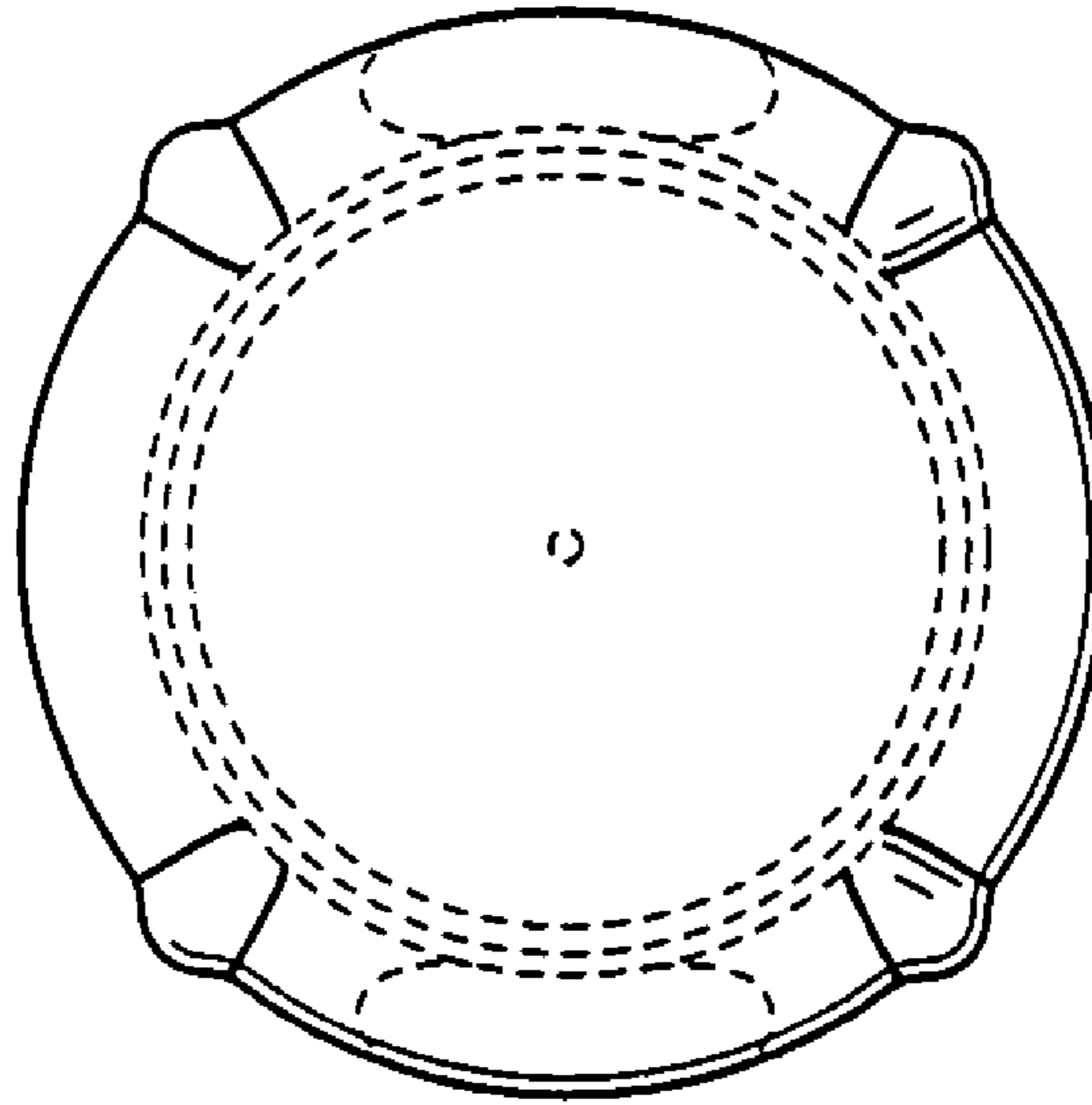


FIG. 26

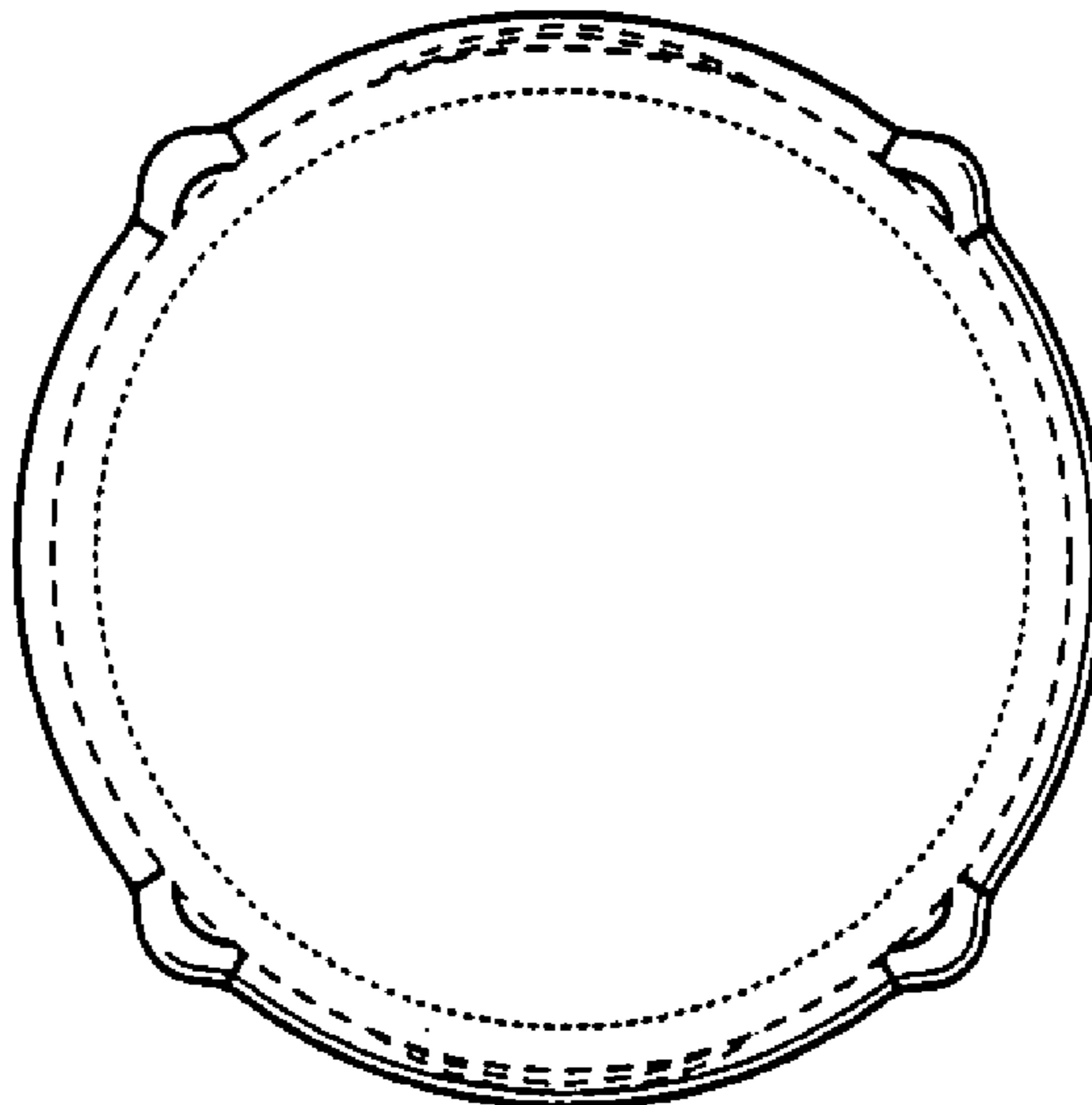


FIG. 27

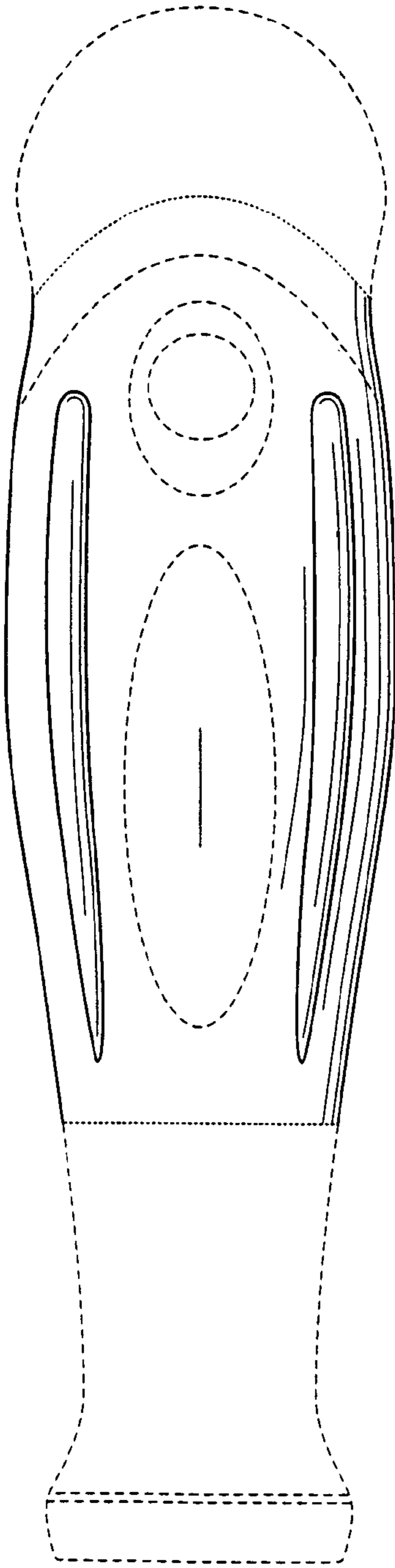
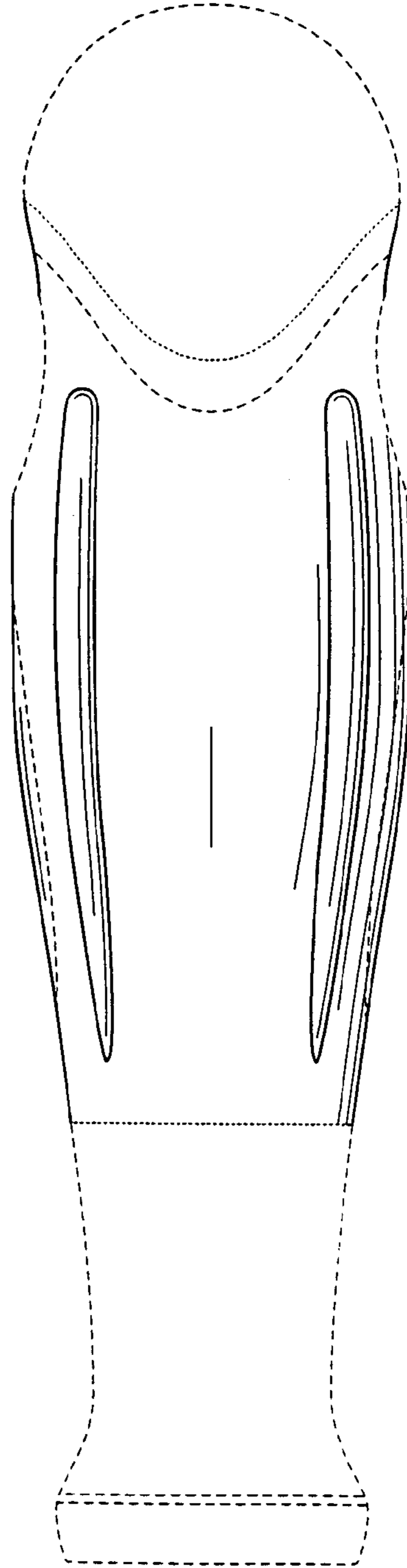


FIG. 28



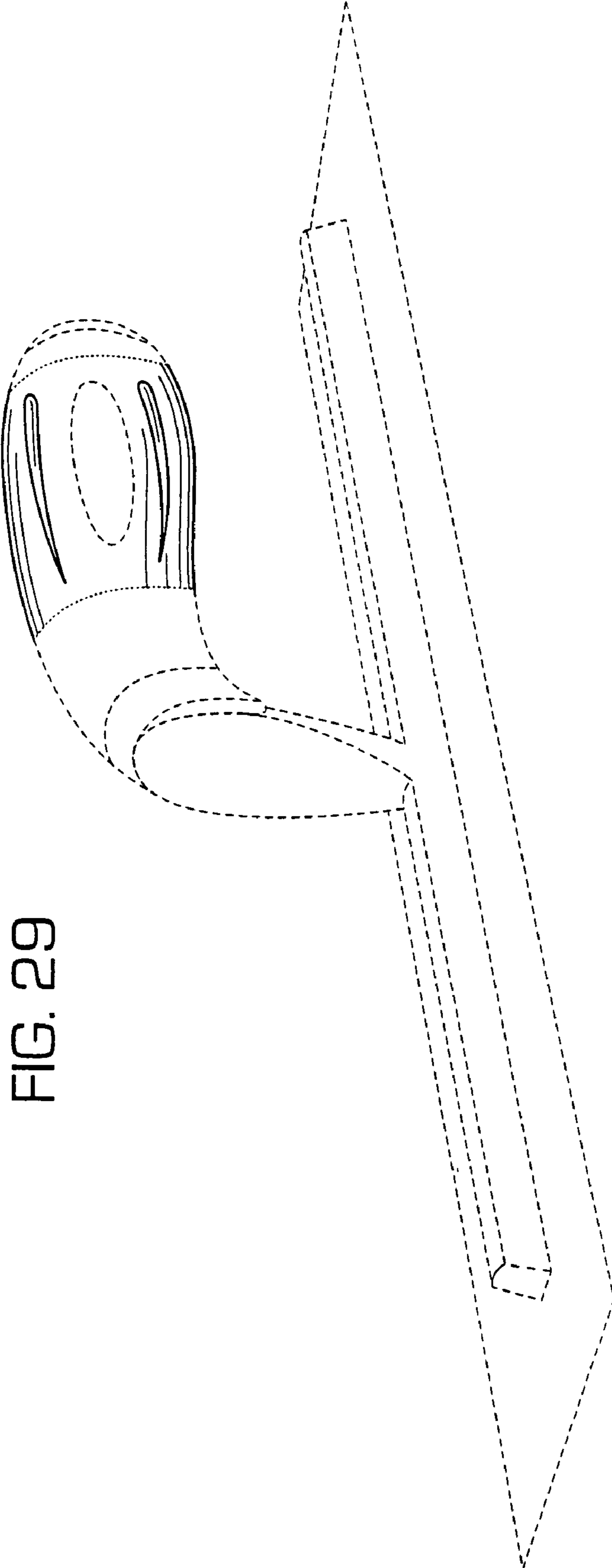


FIG. 29

FIG. 30

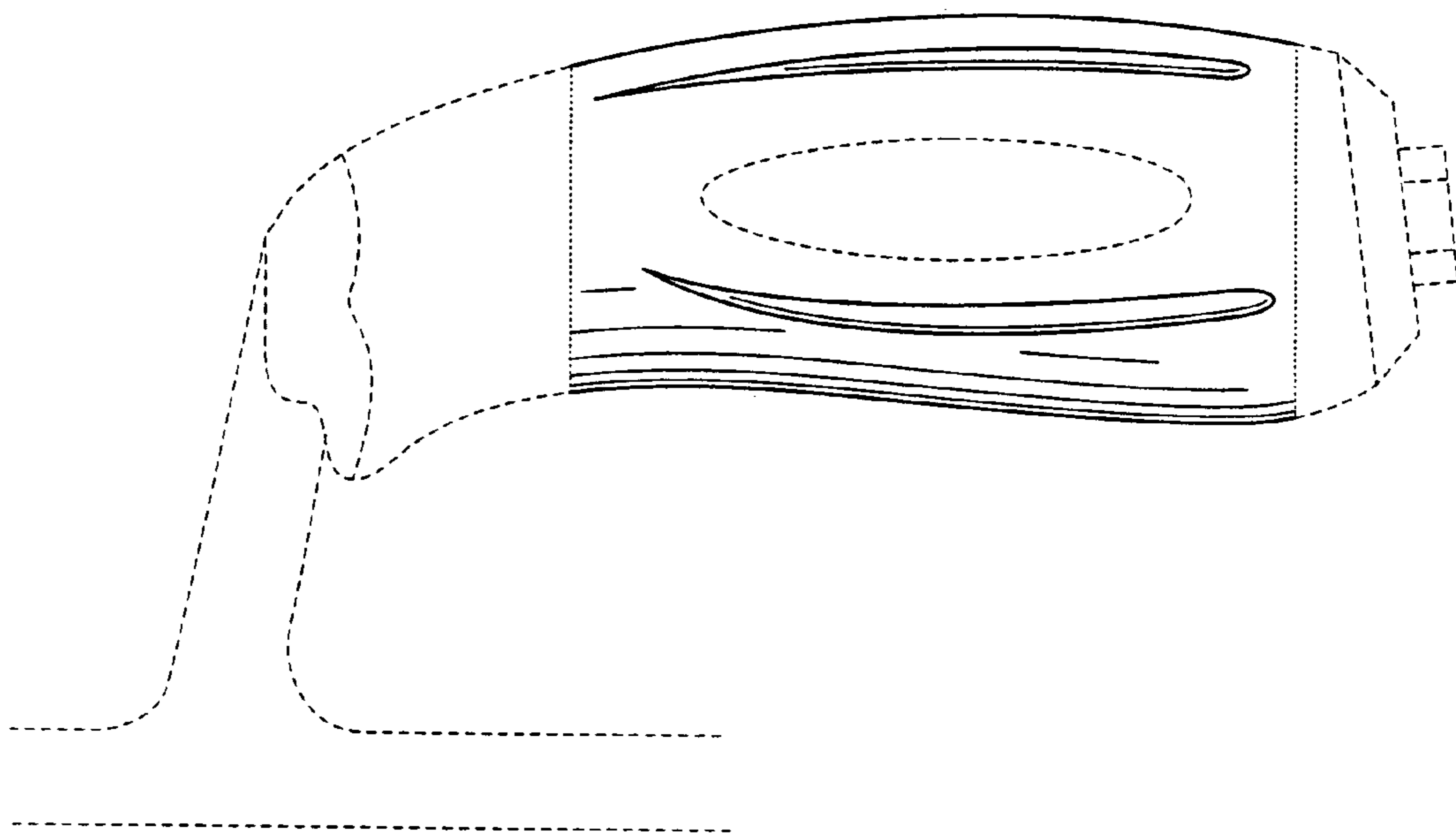


FIG. 31

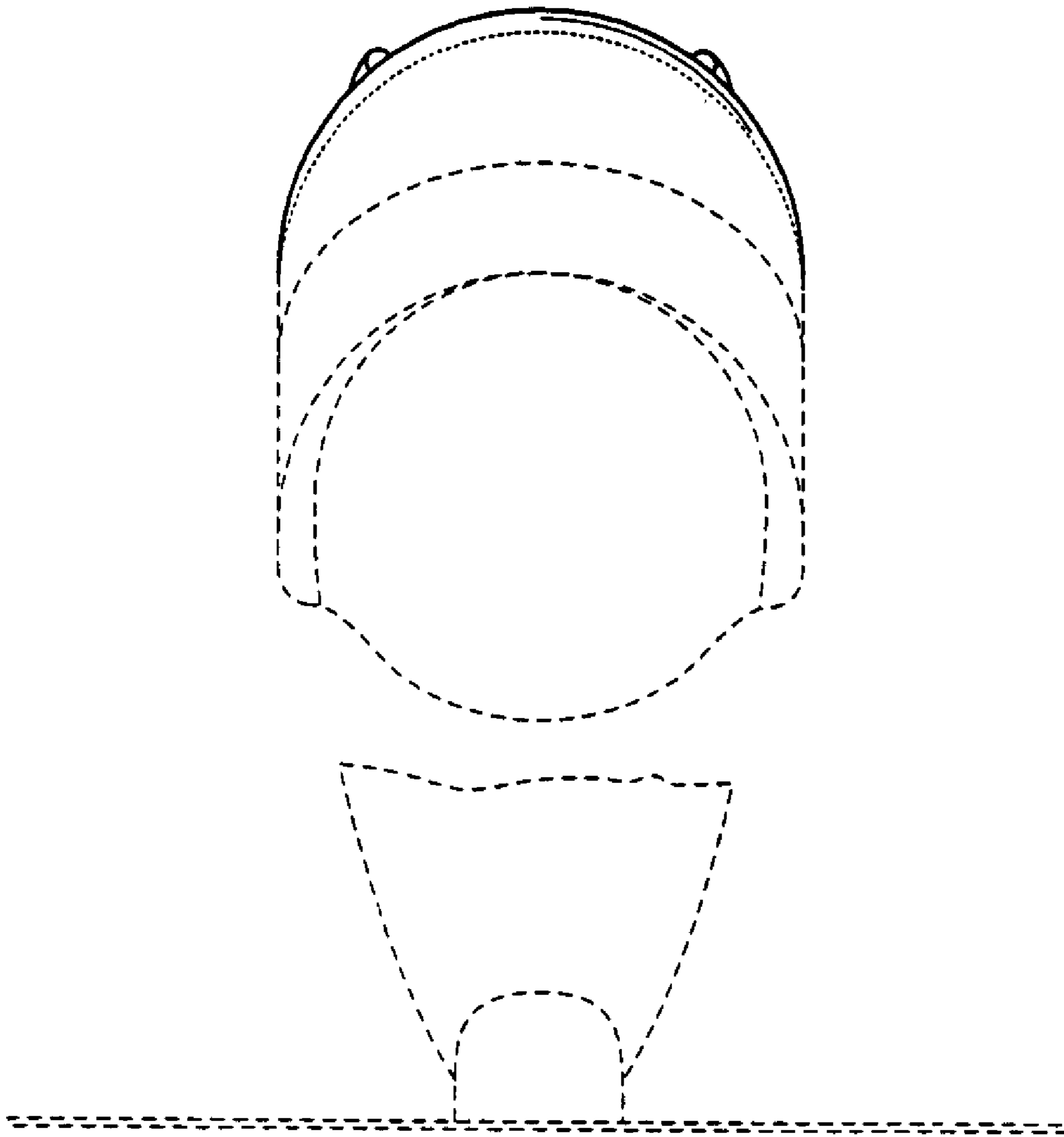


FIG. 32

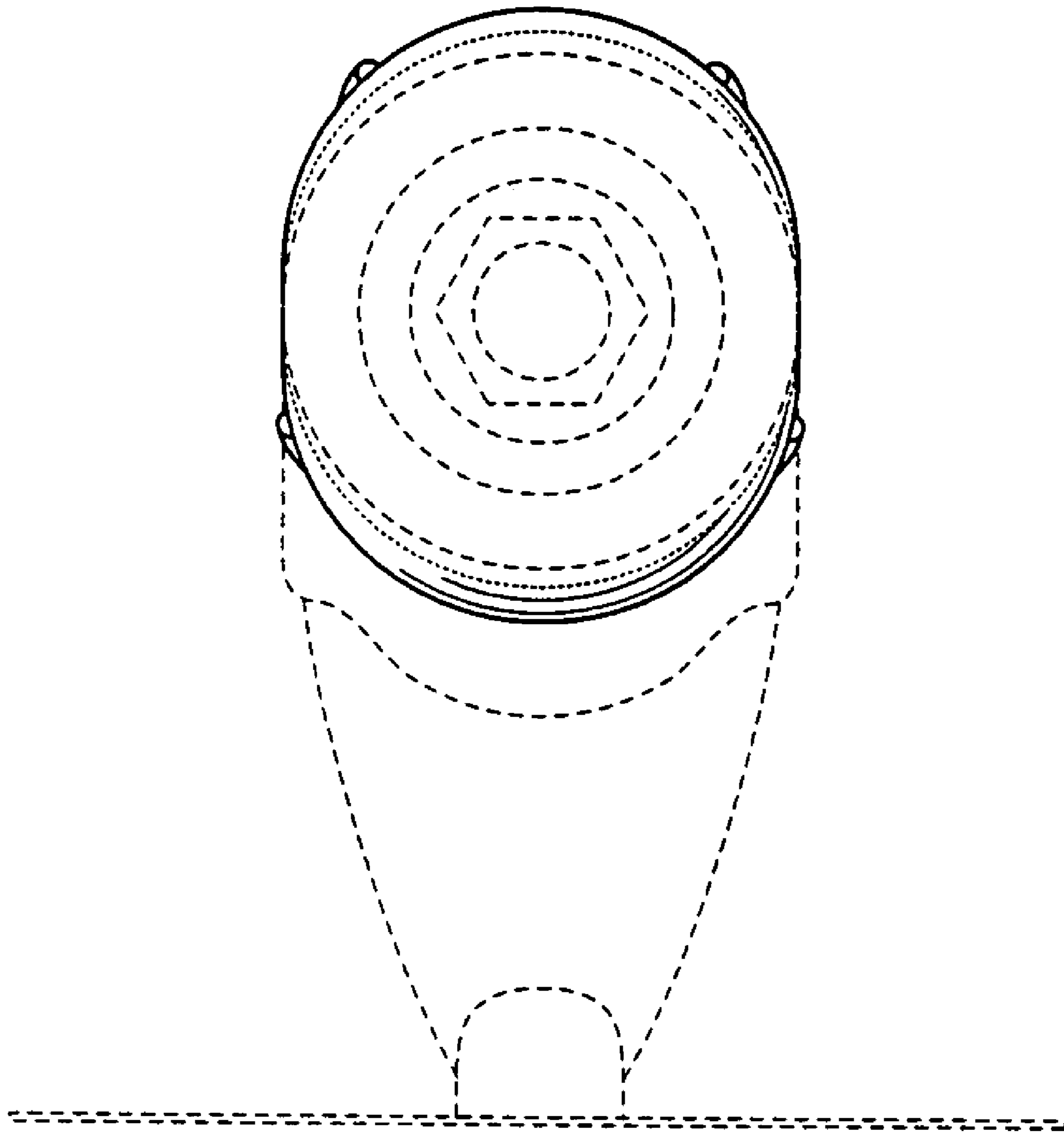


FIG. 33

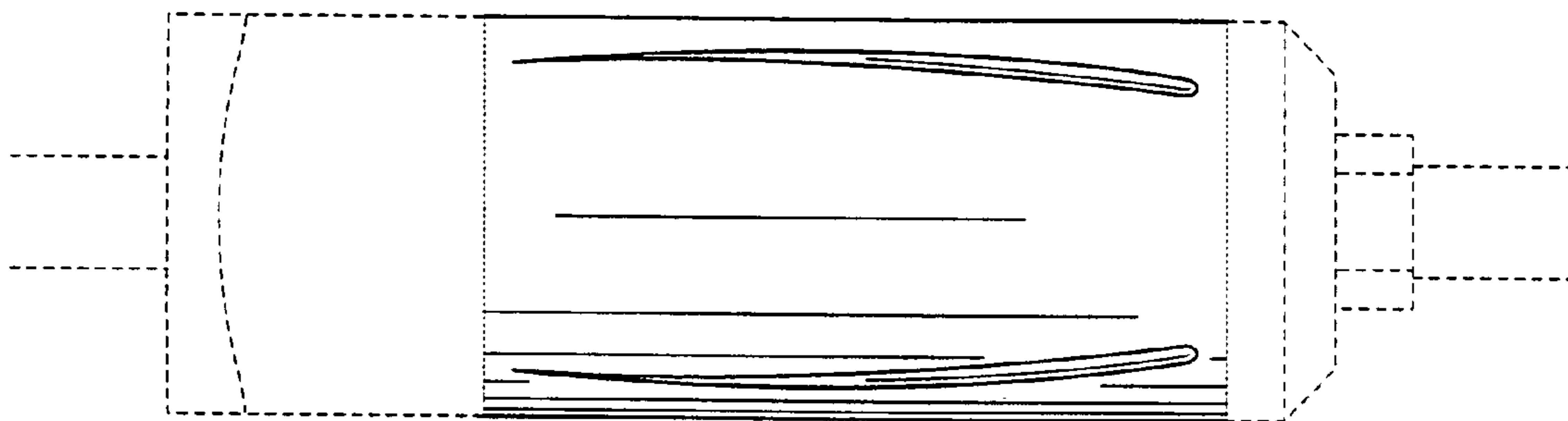


FIG. 34

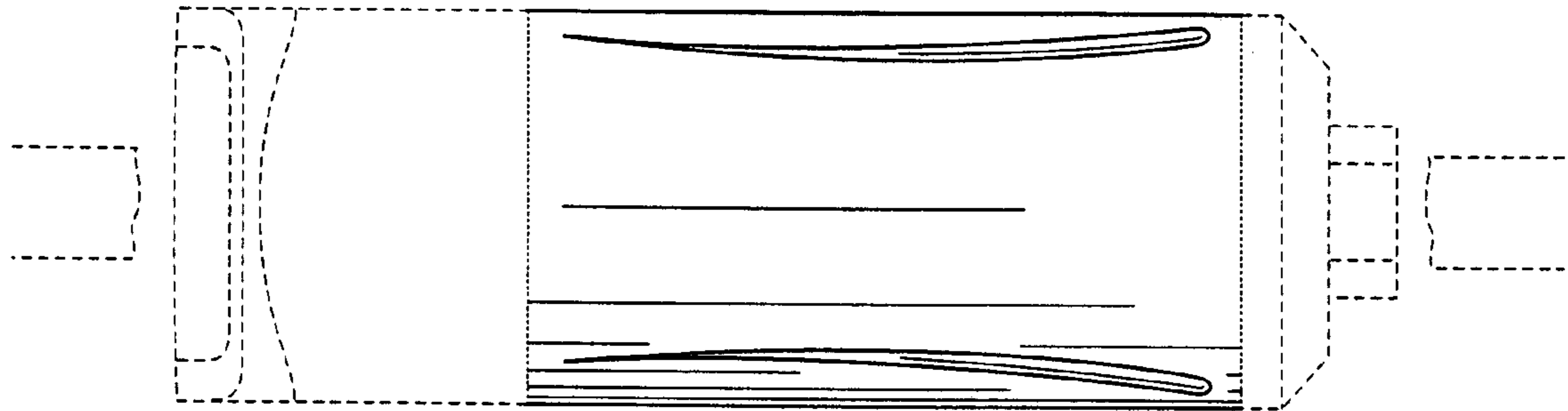


FIG. 35

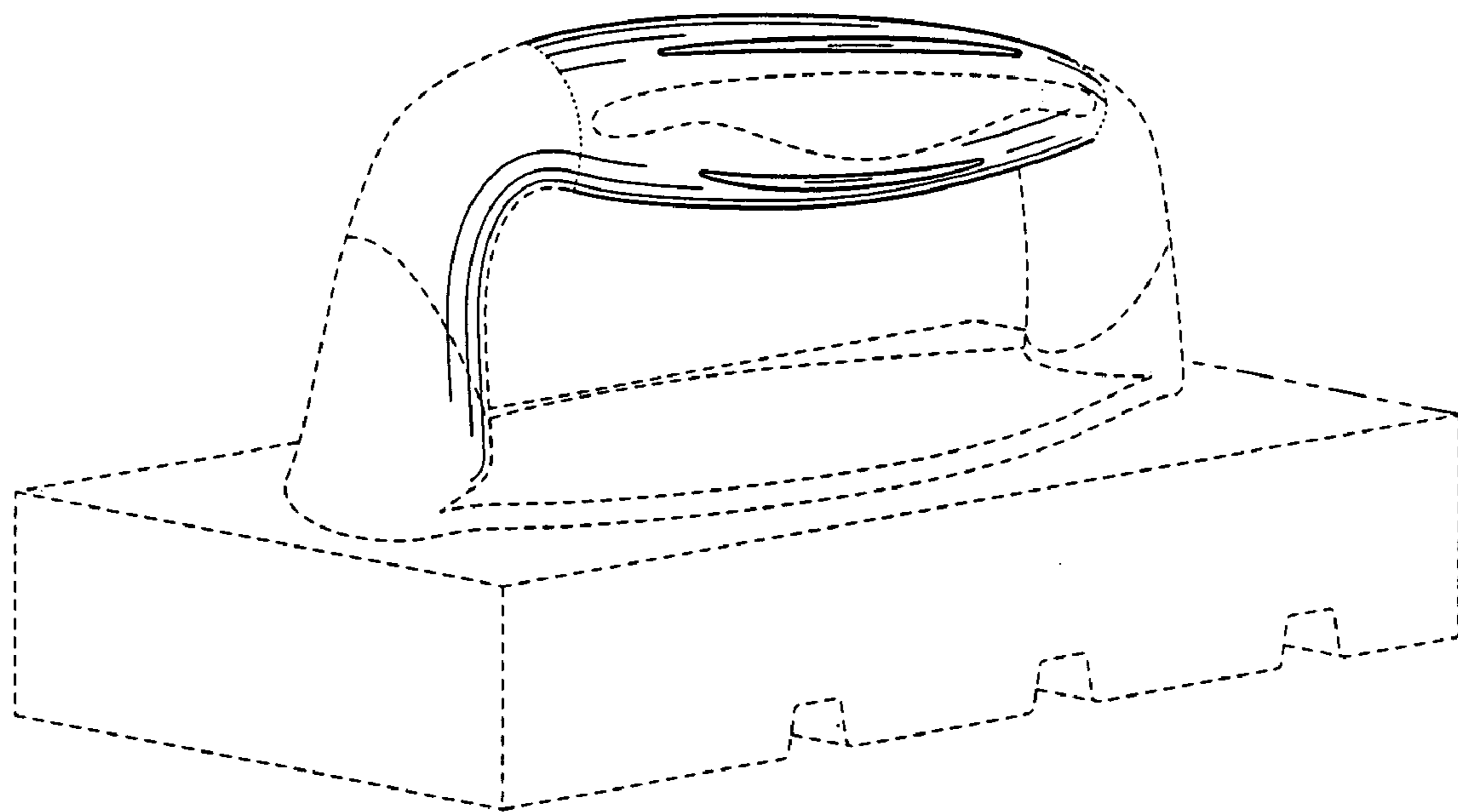


FIG. 36

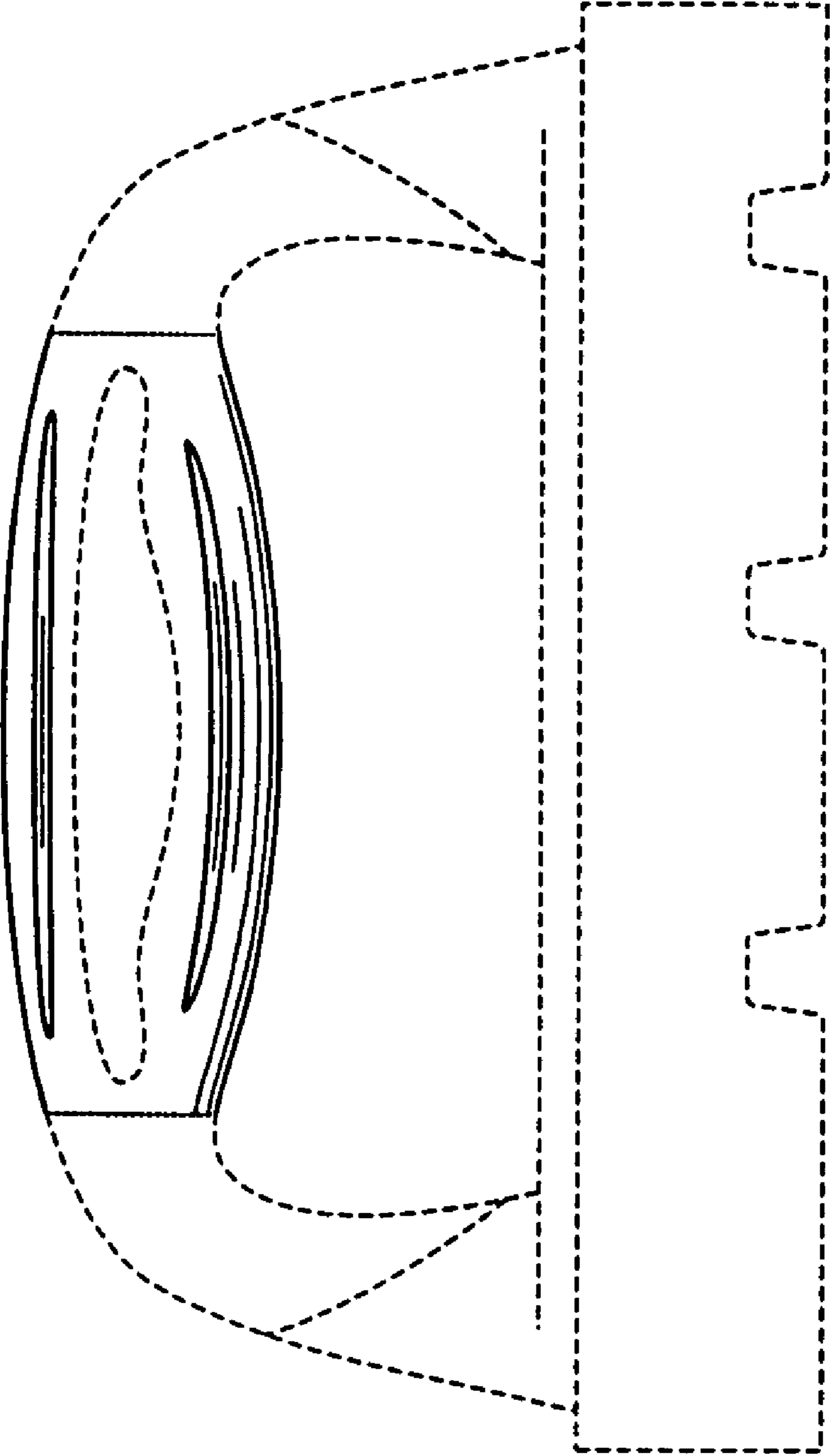


FIG. 37

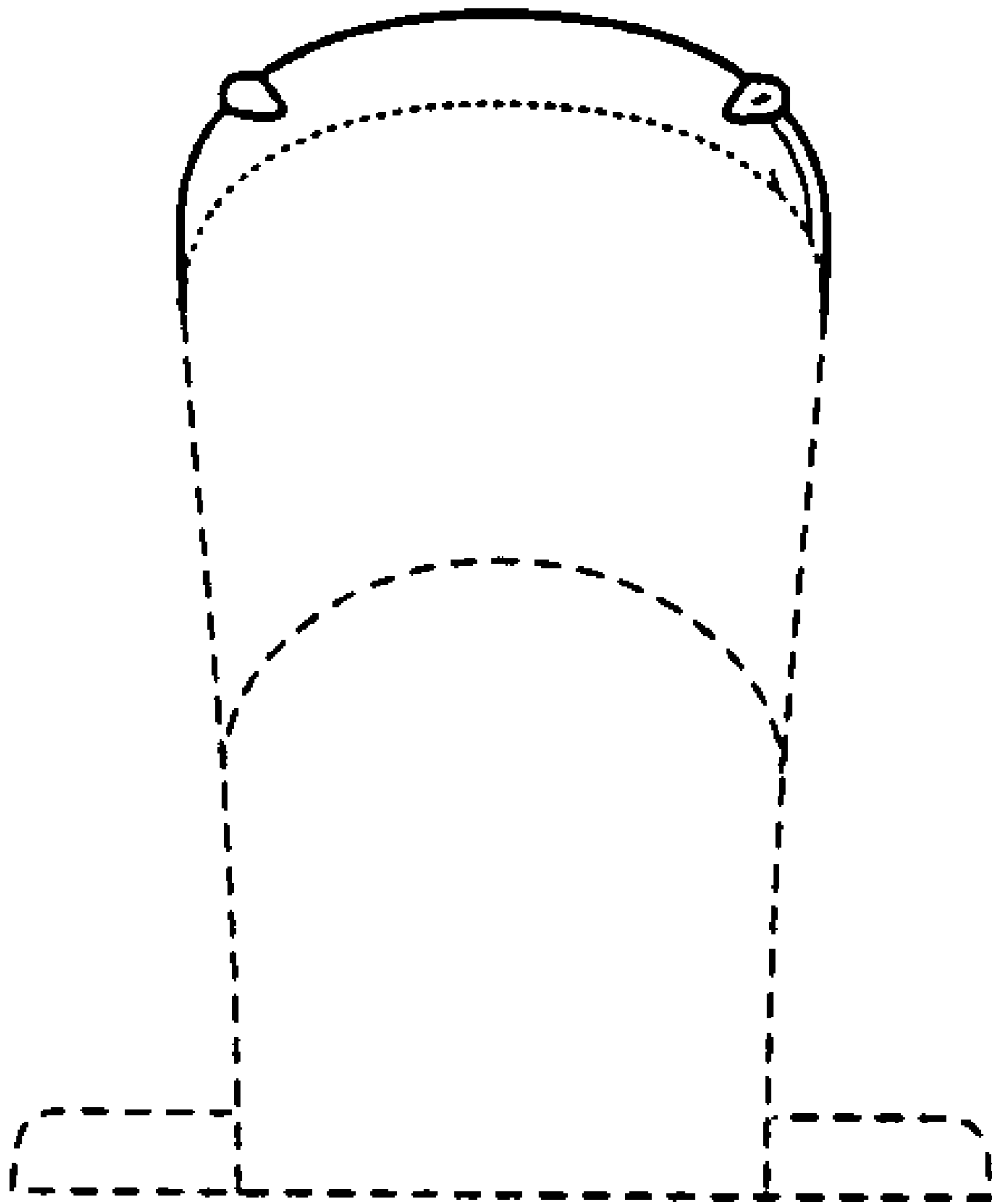


FIG. 38

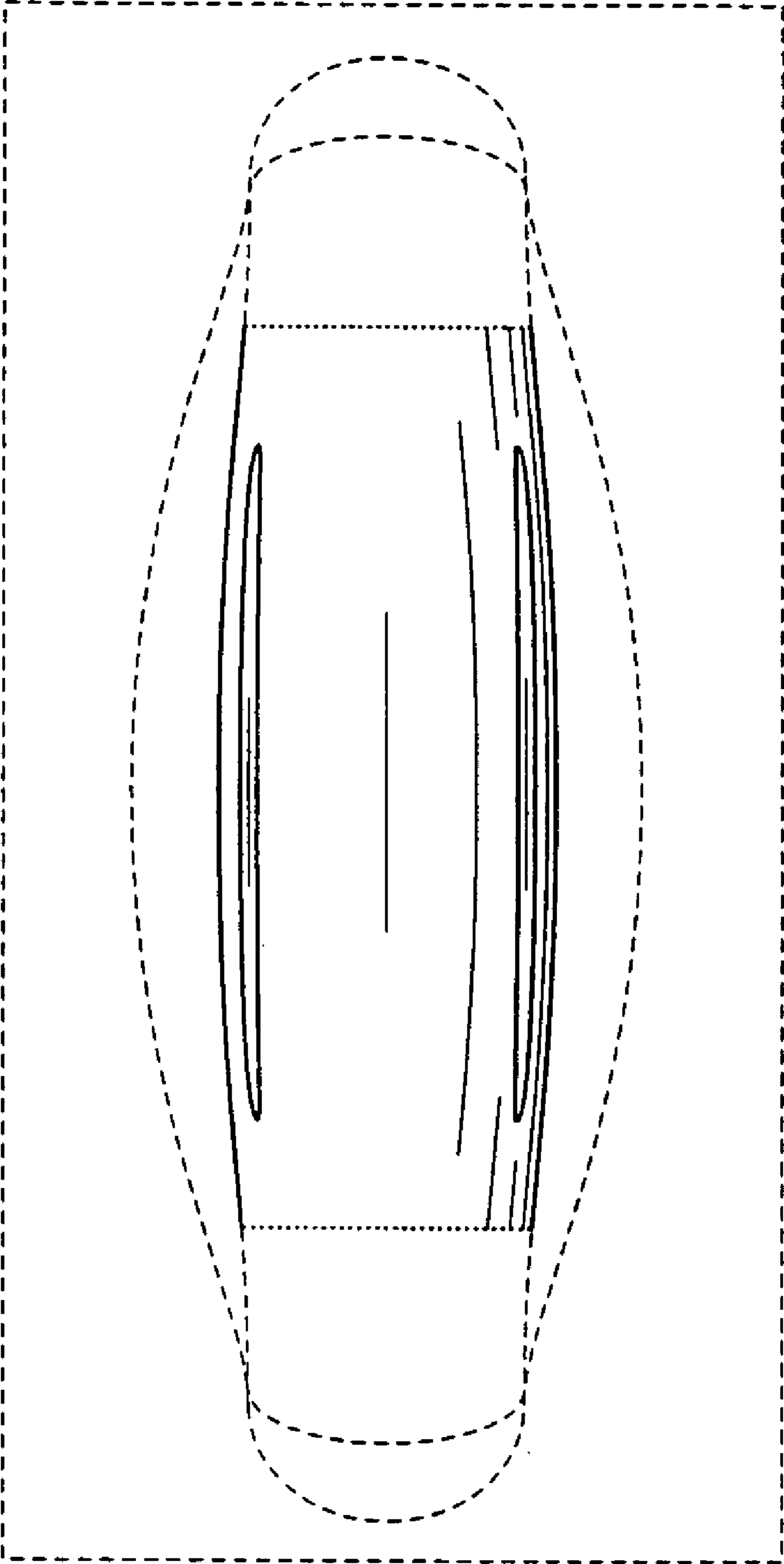


FIG. 39

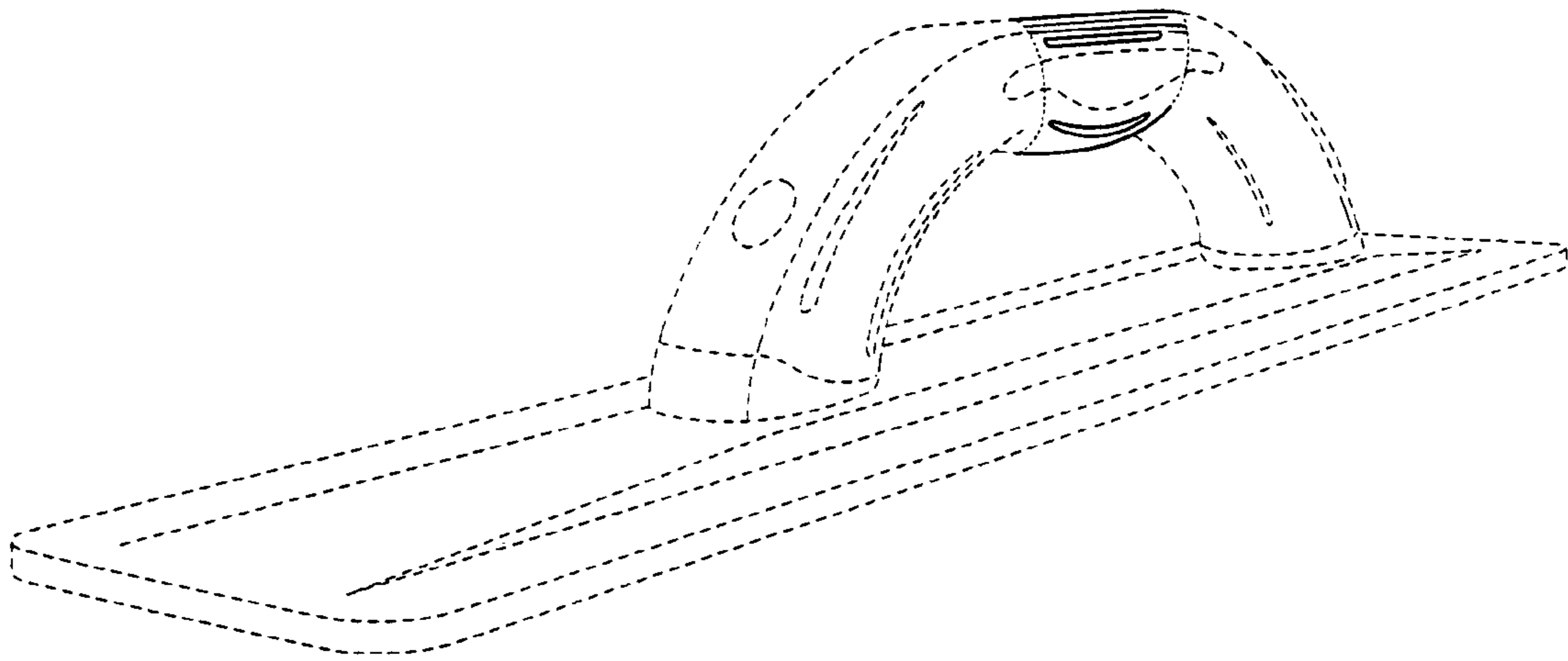


FIG. 40

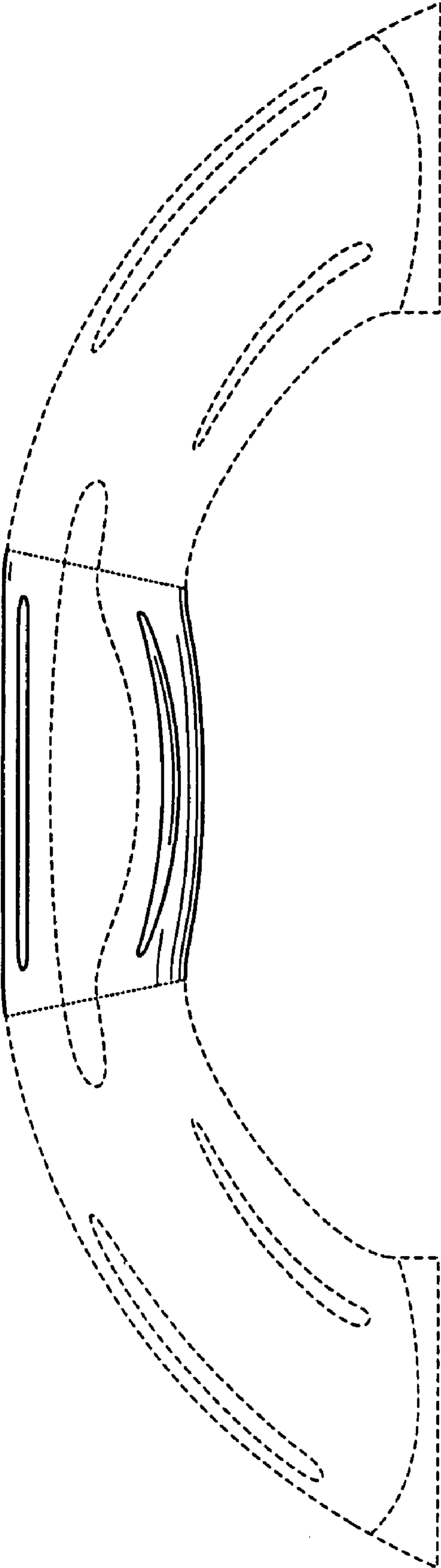


FIG. 41

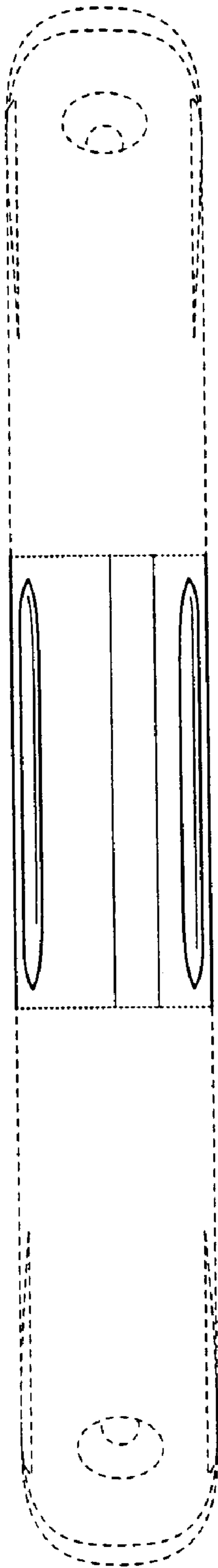


FIG. 42

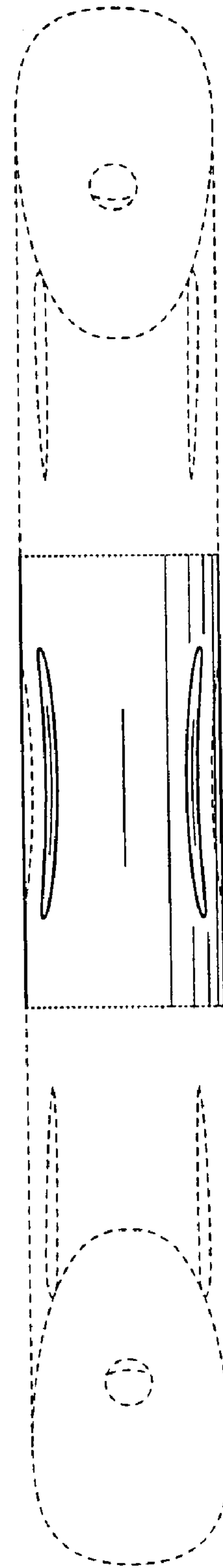


FIG. 43

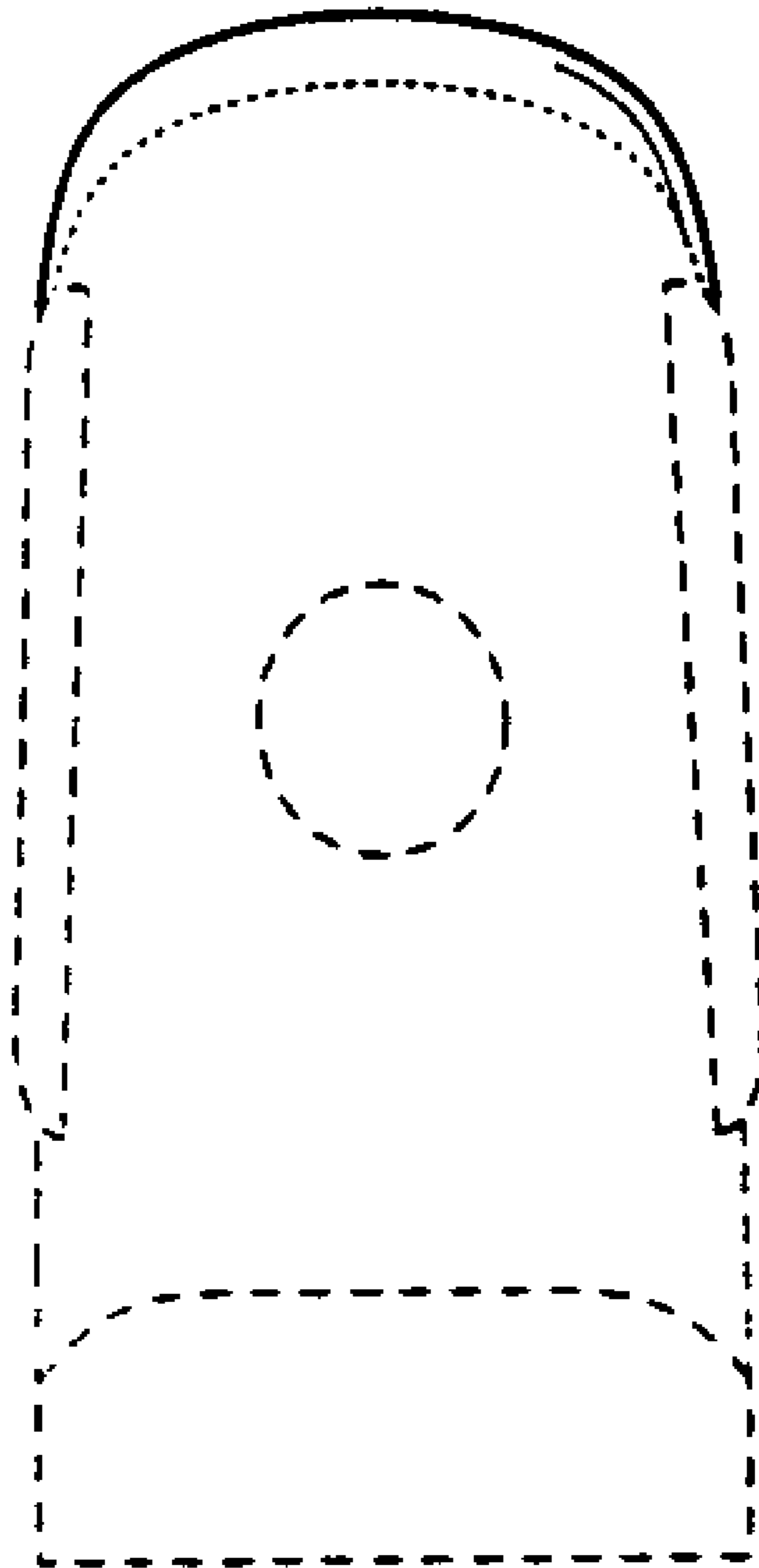


FIG. 44

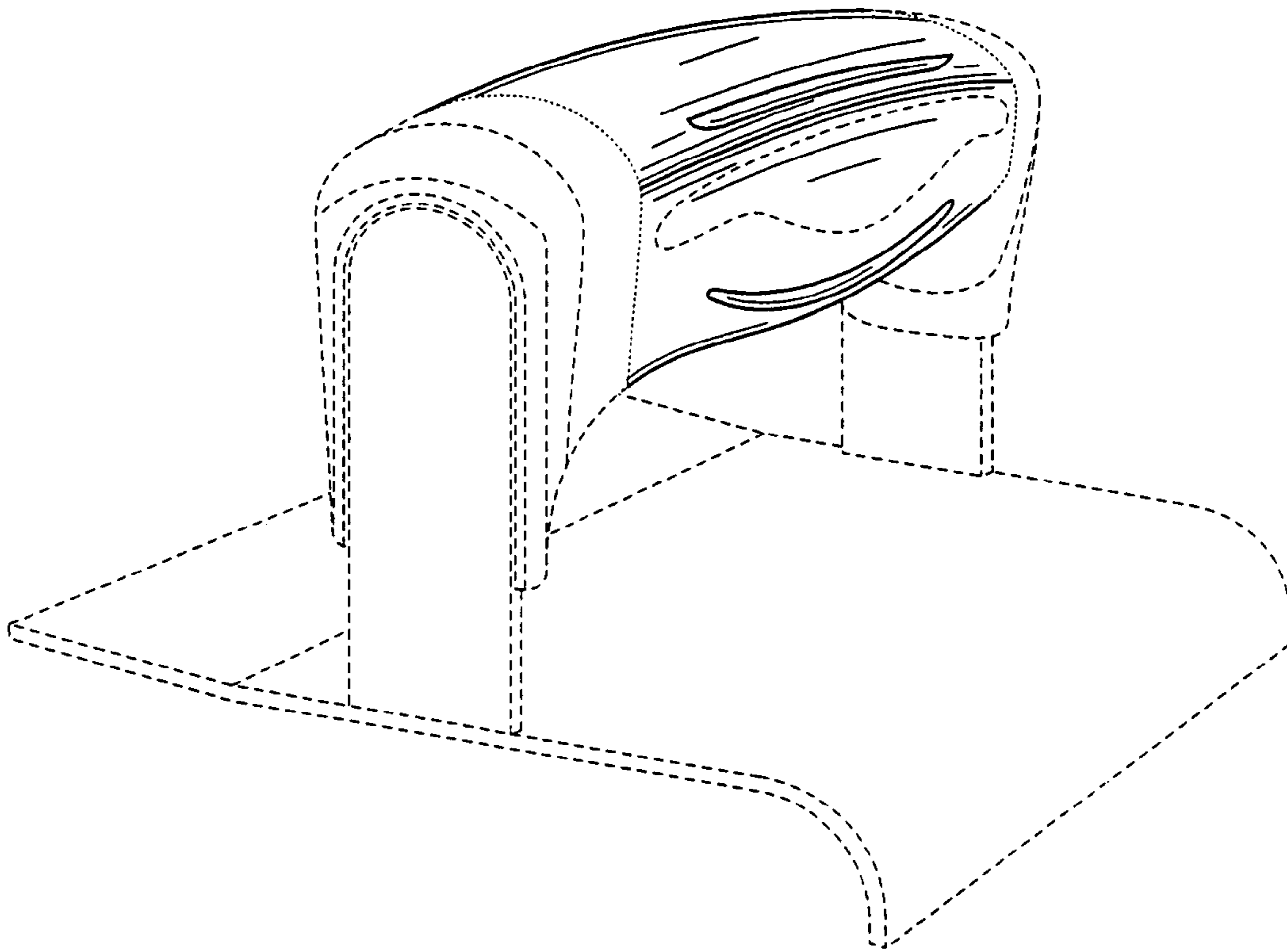


FIG. 45

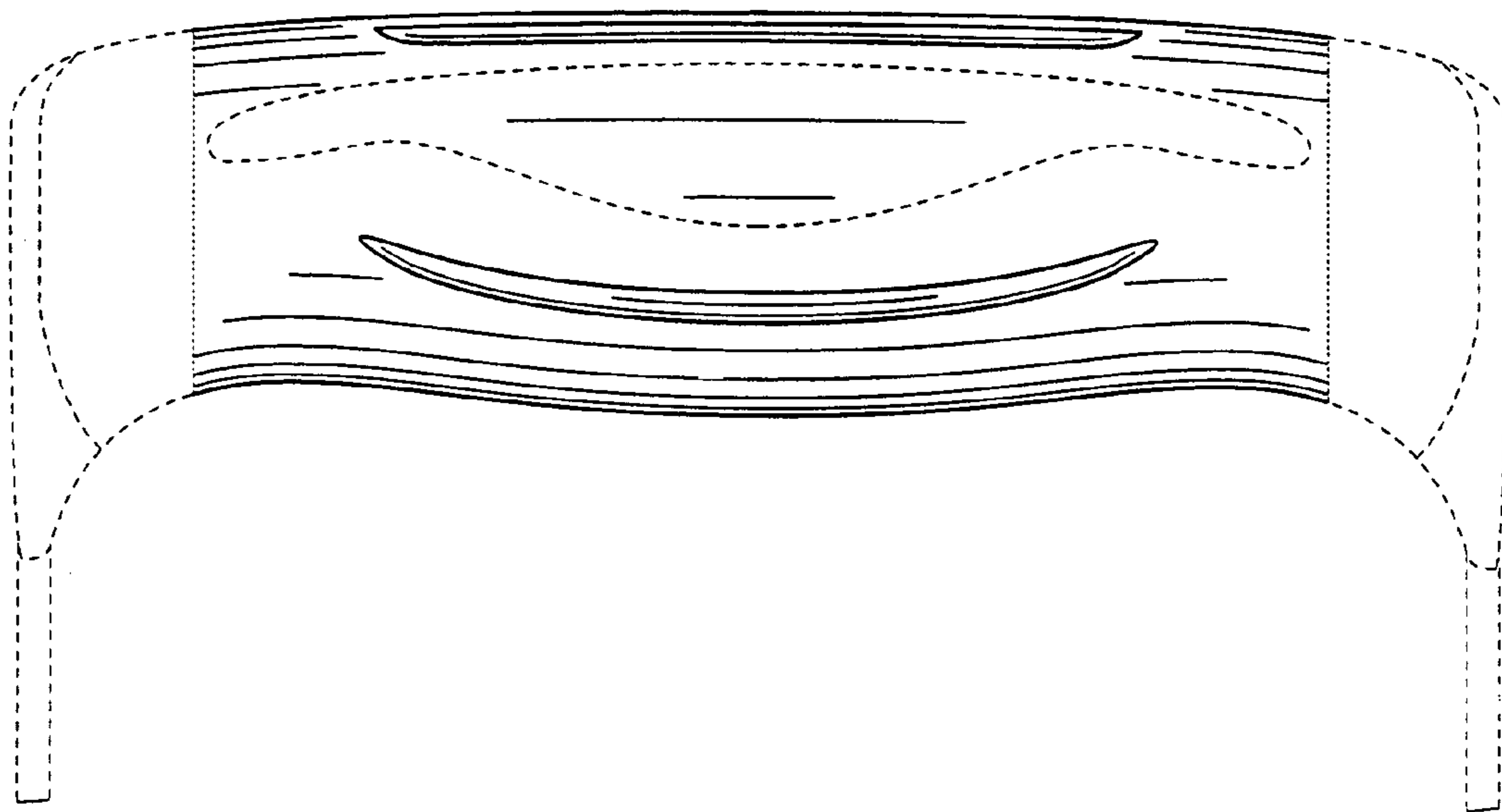


FIG. 46

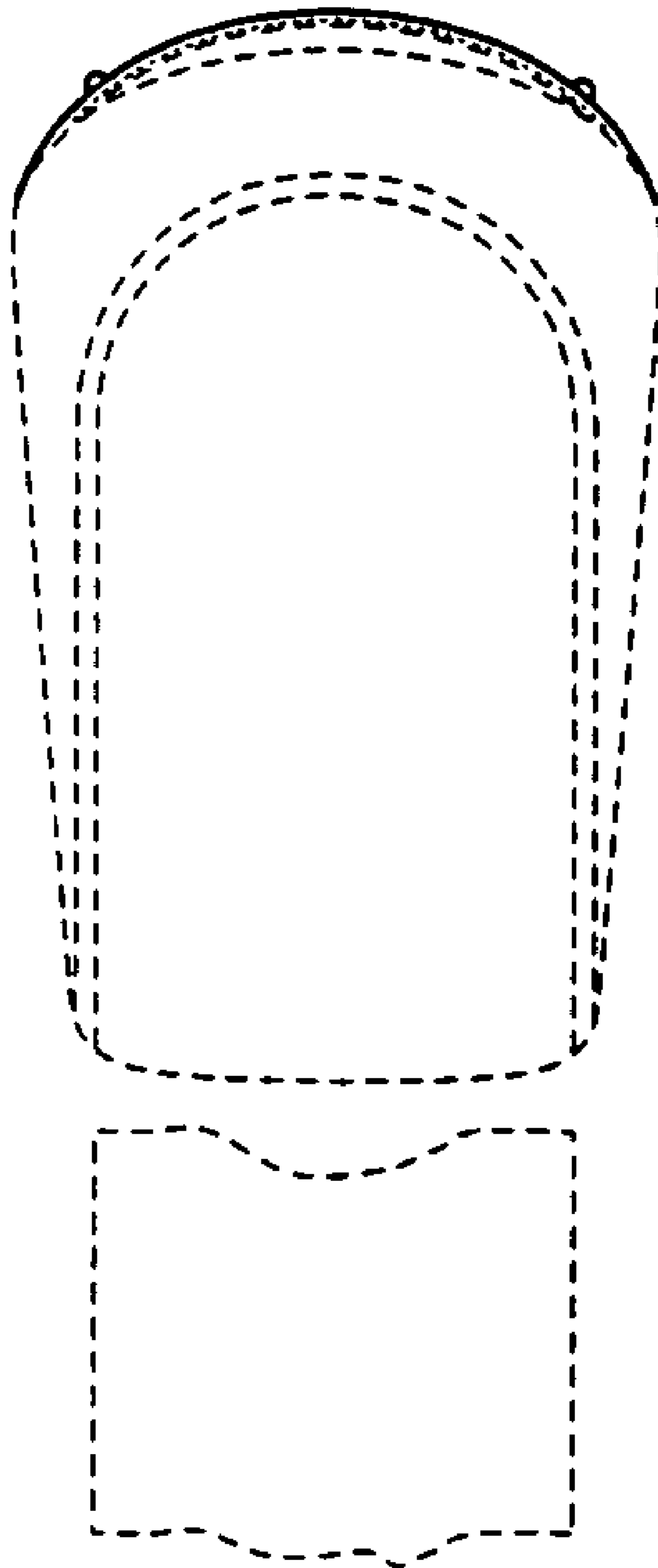


FIG. 47

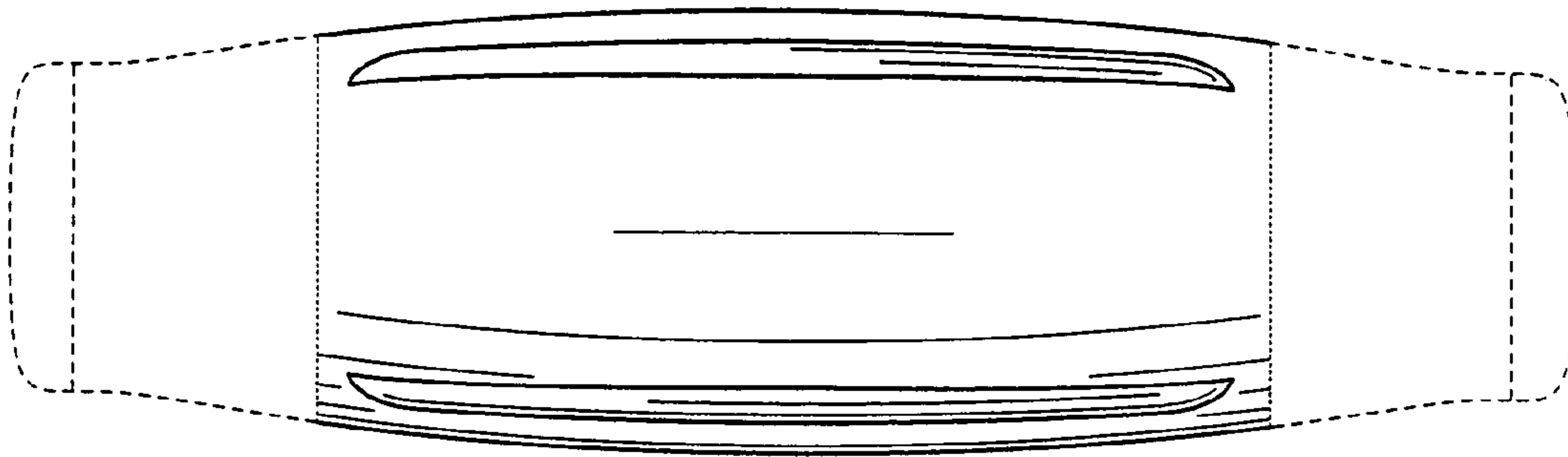
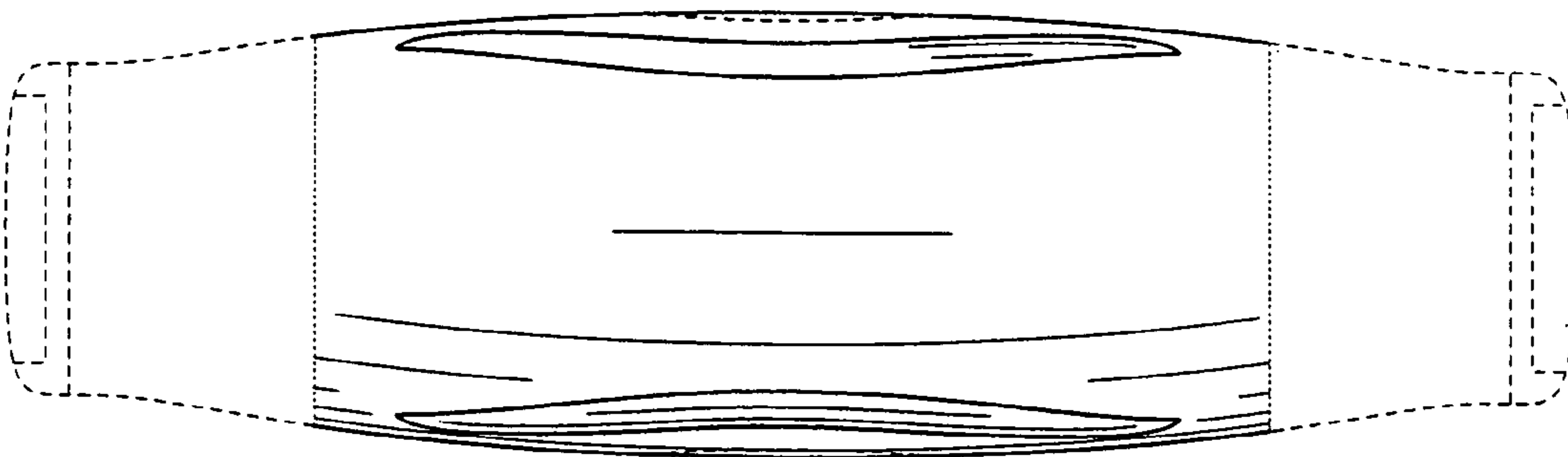


FIG. 48



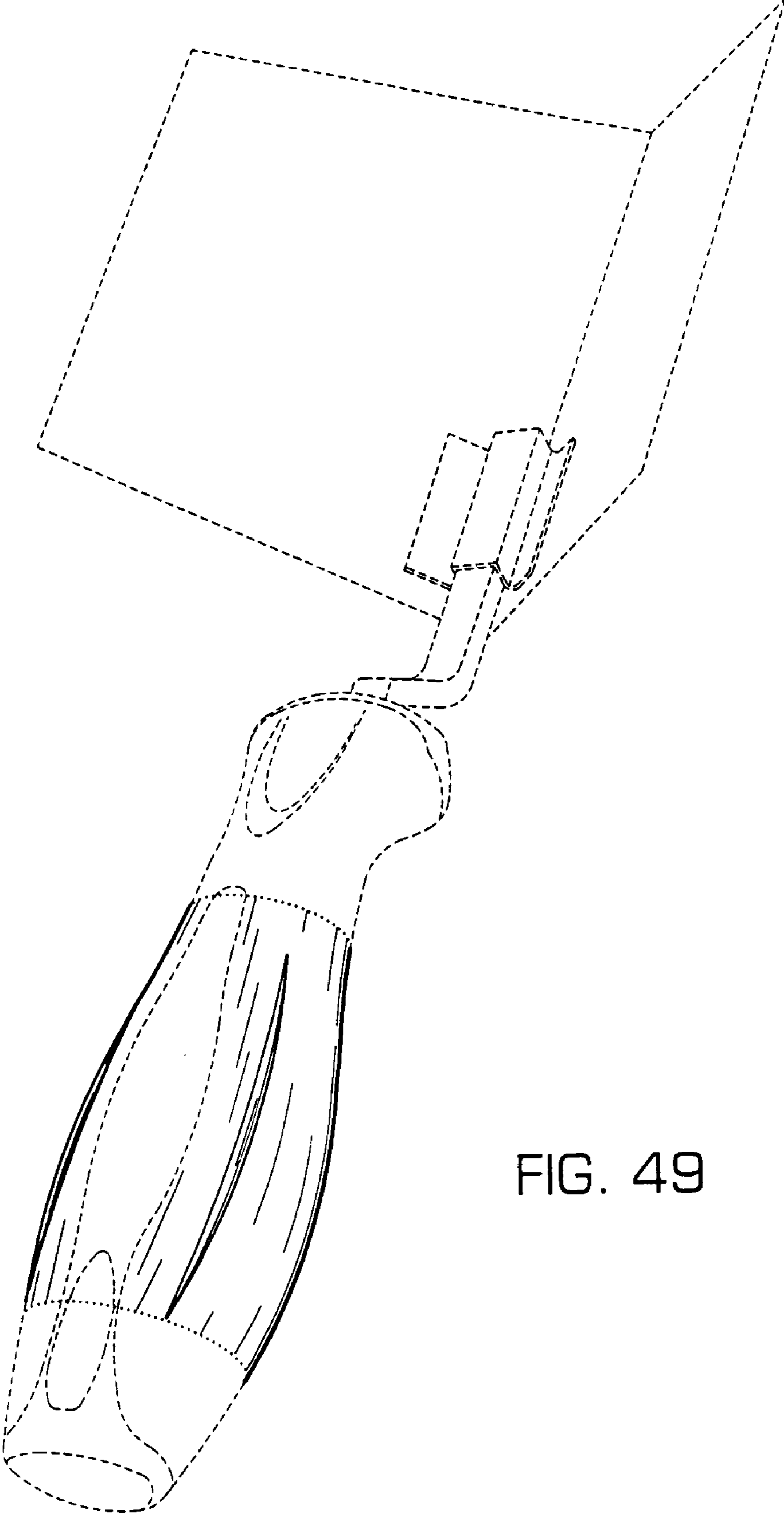


FIG. 49

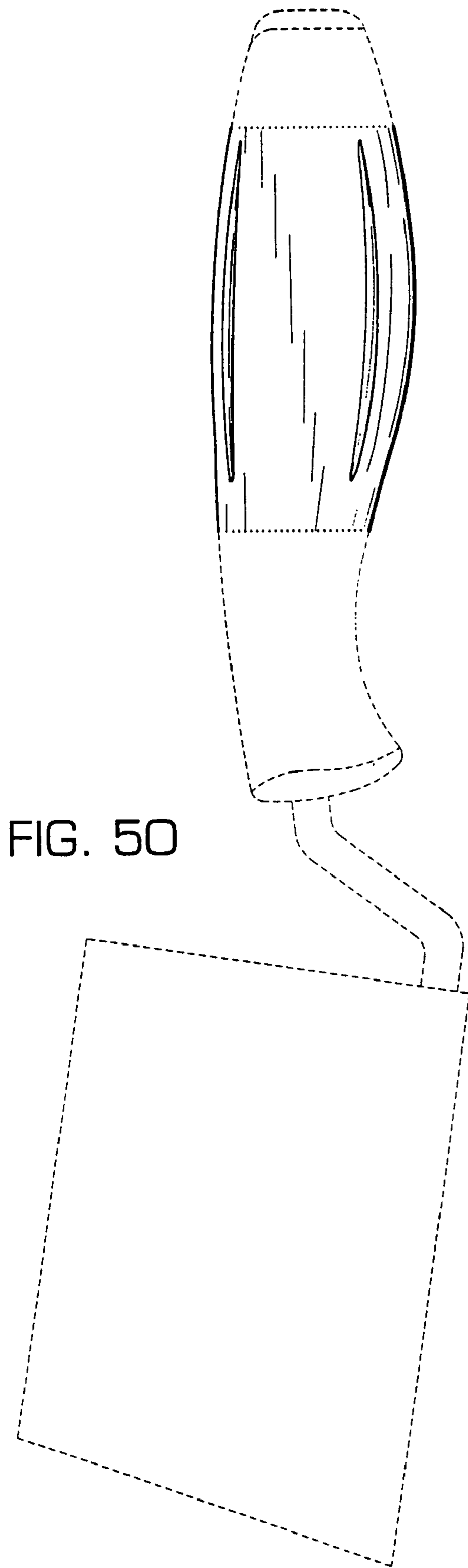


FIG. 51

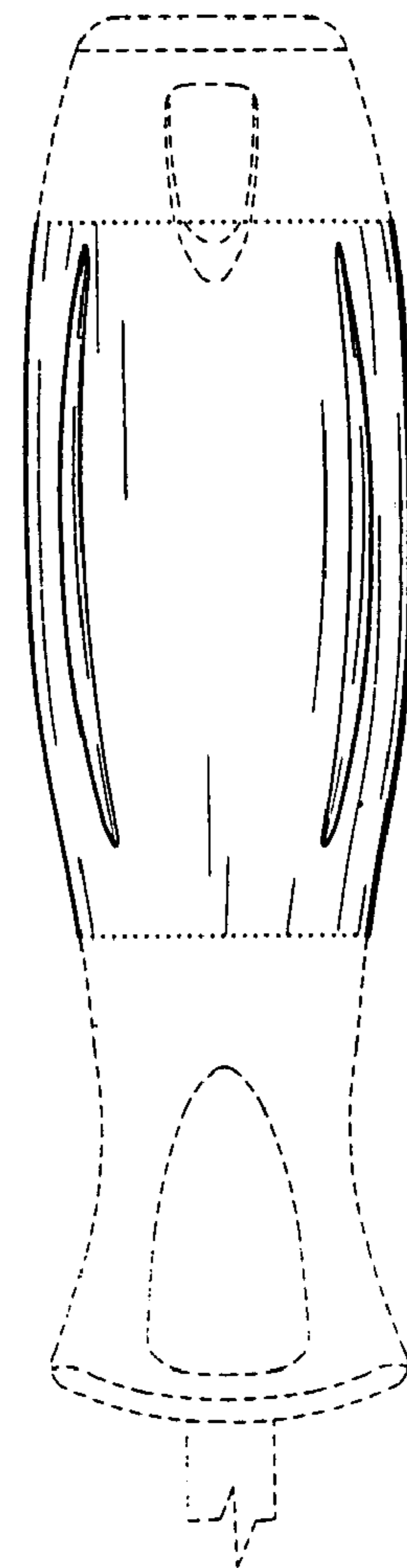


FIG. 52

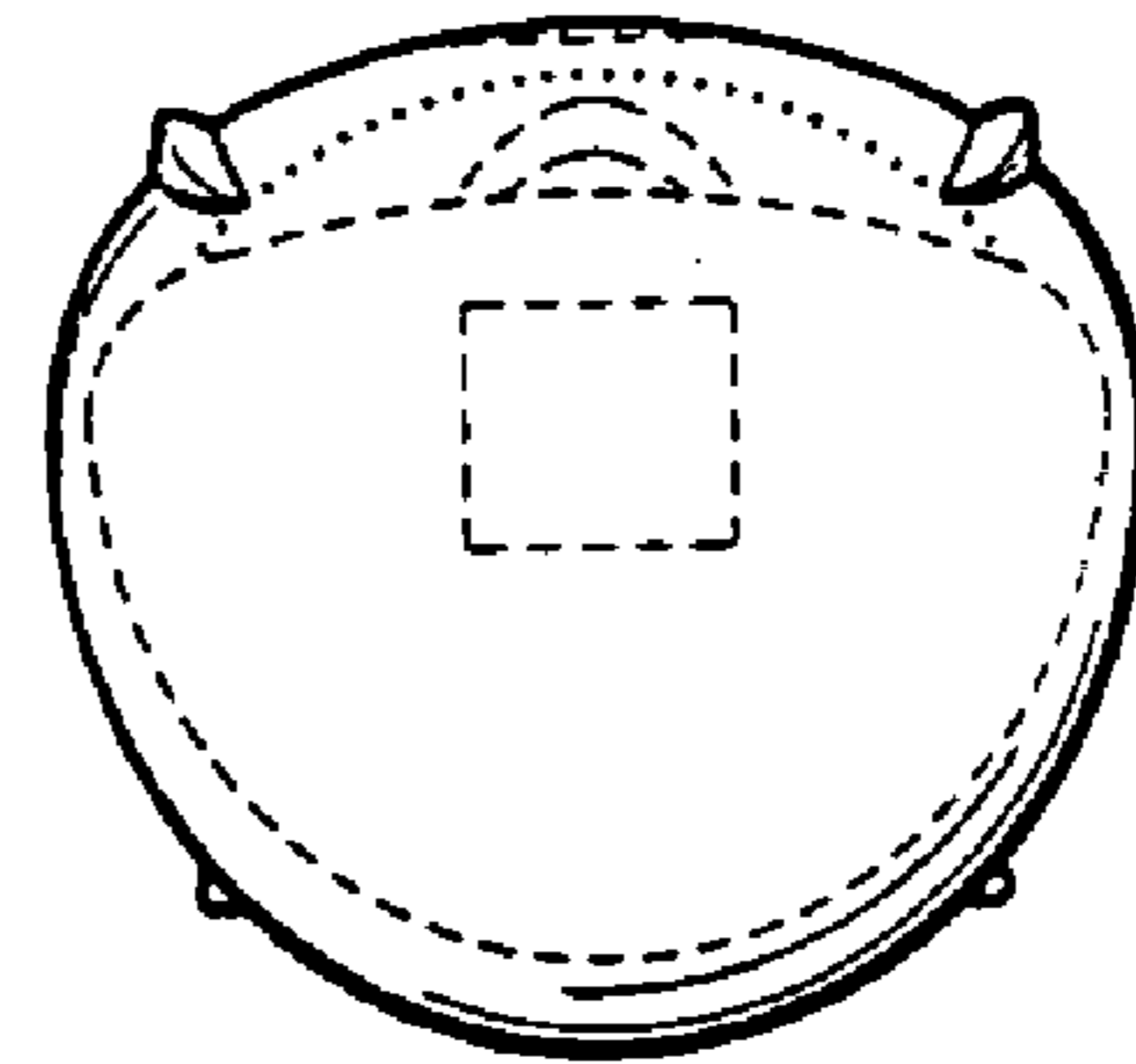
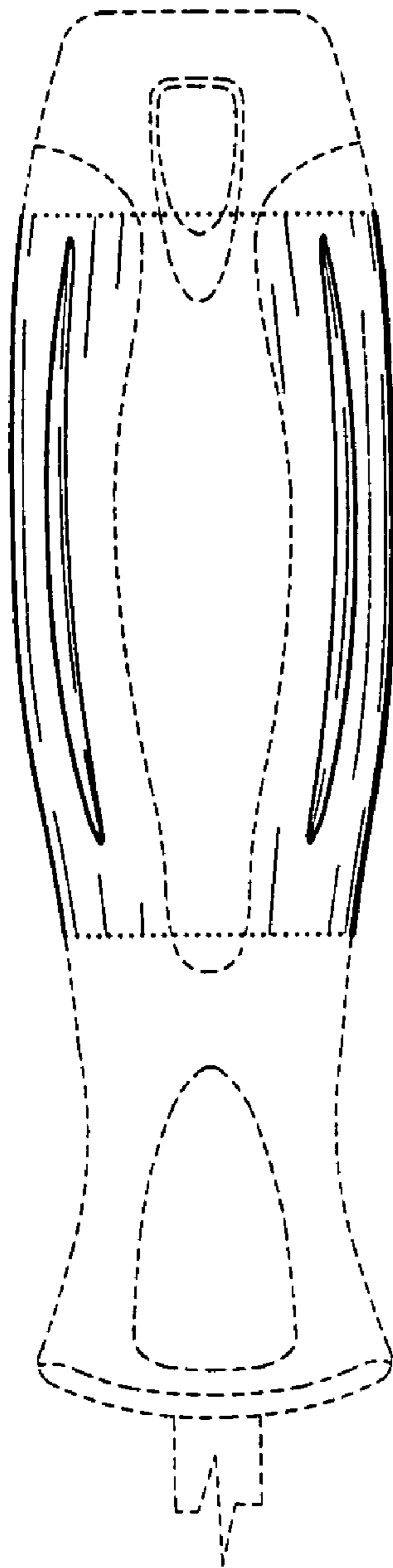


FIG. 53

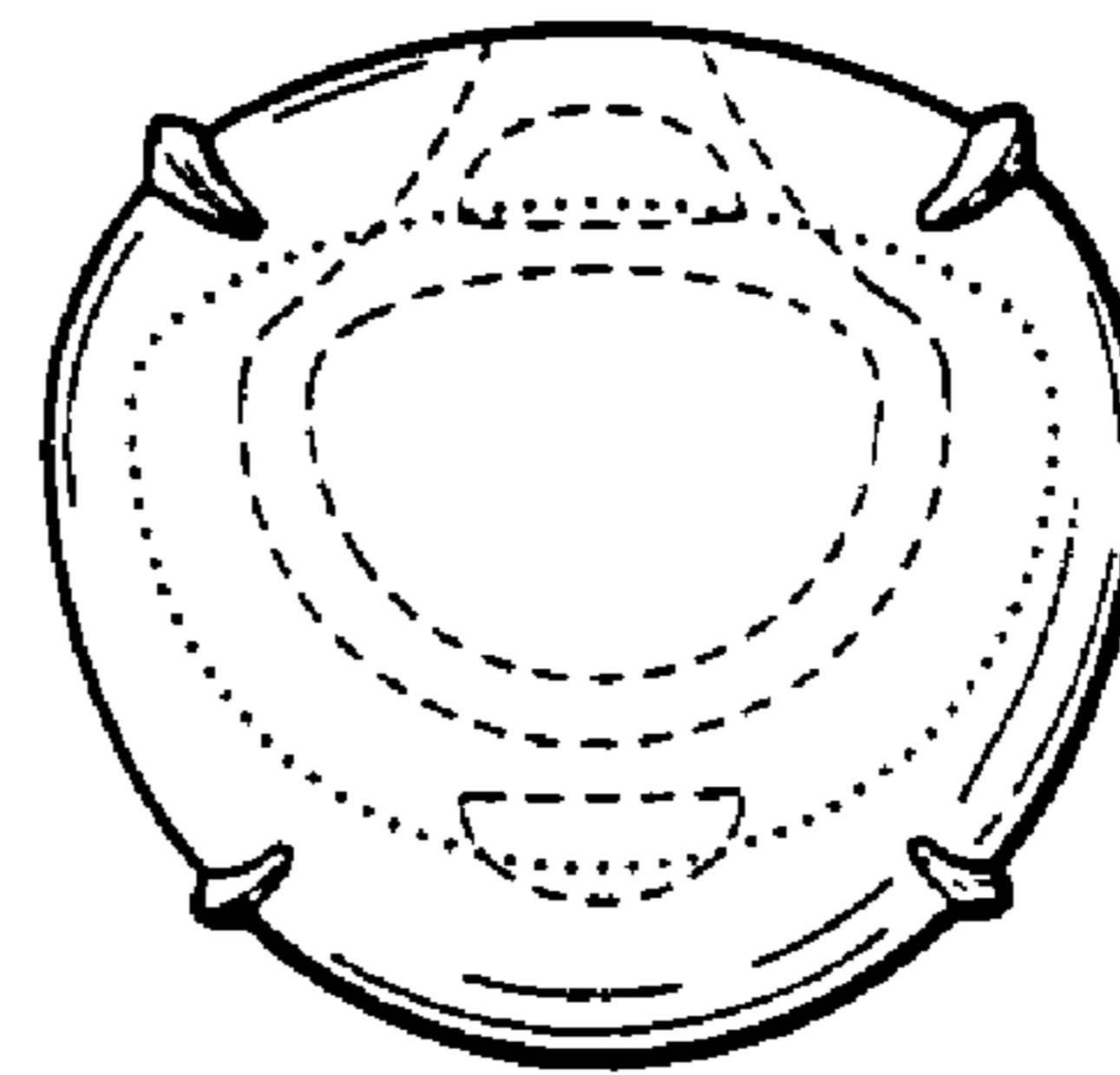


FIG. 54

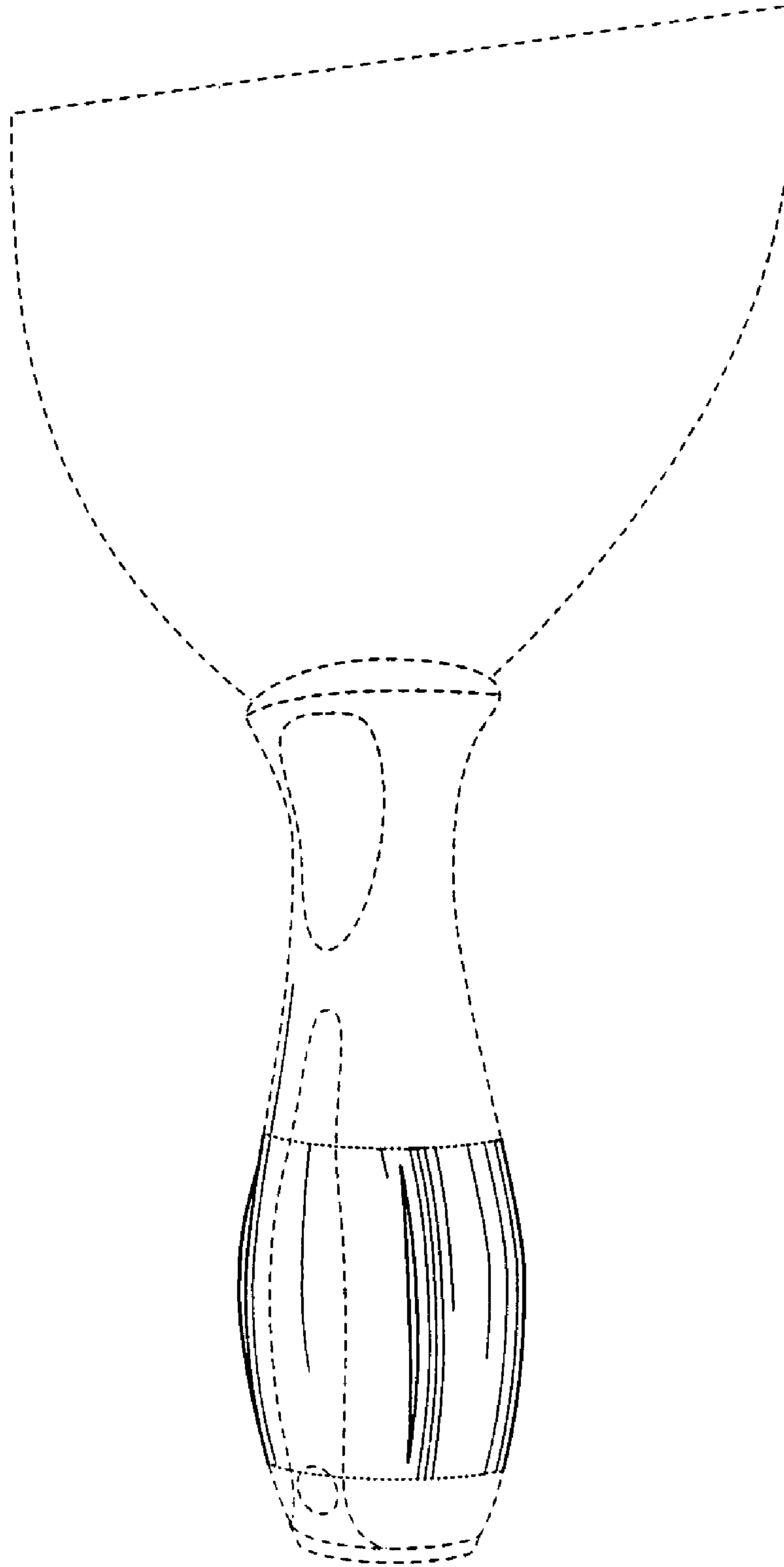


FIG. 55

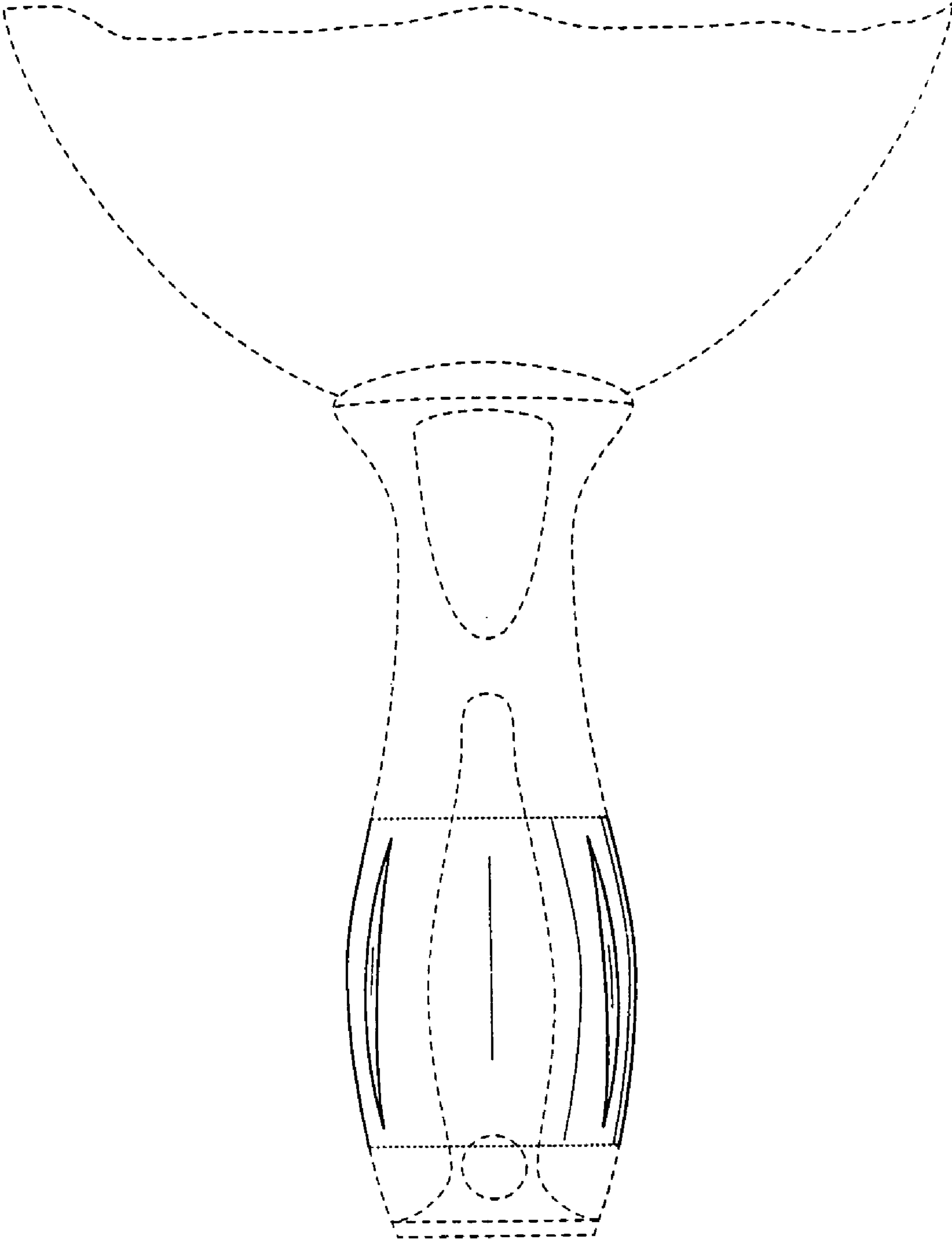


FIG. 56

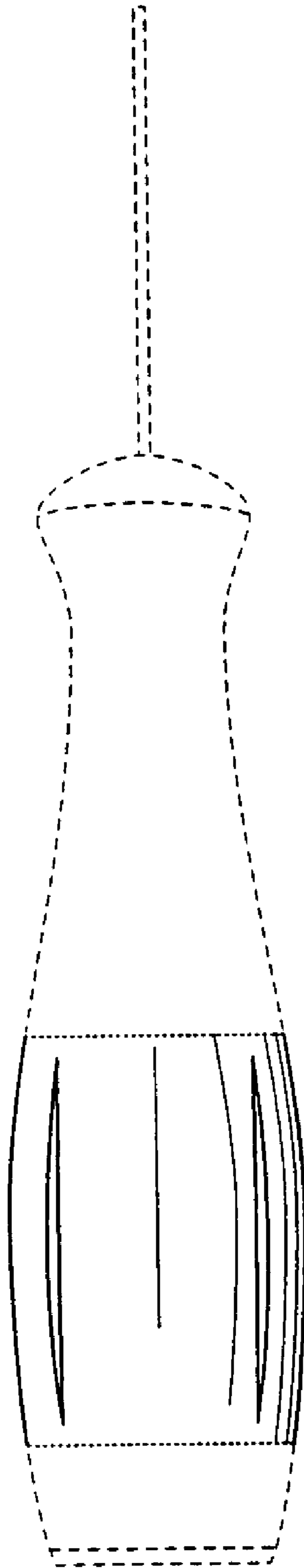


FIG. 57

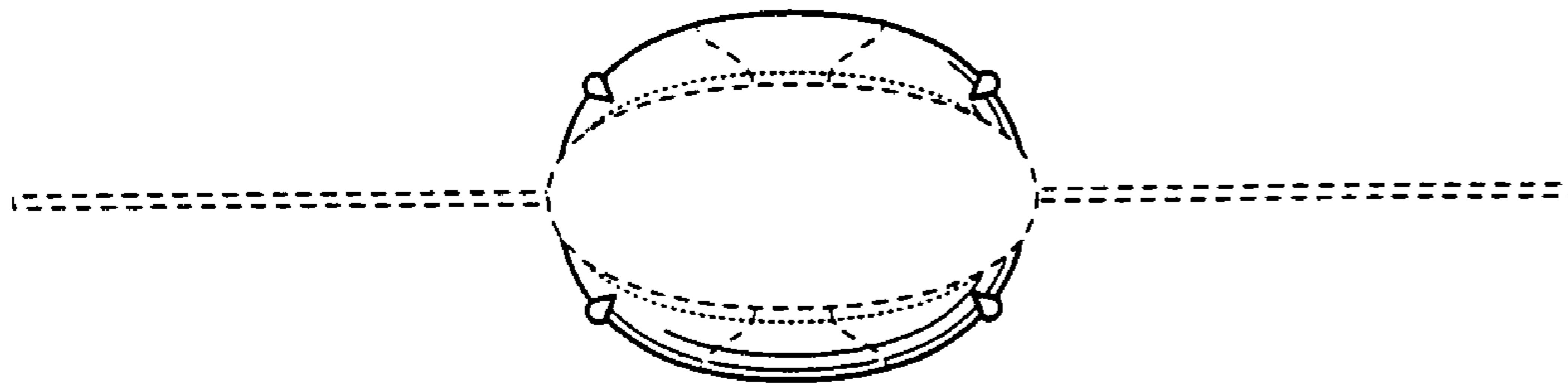


FIG. 58

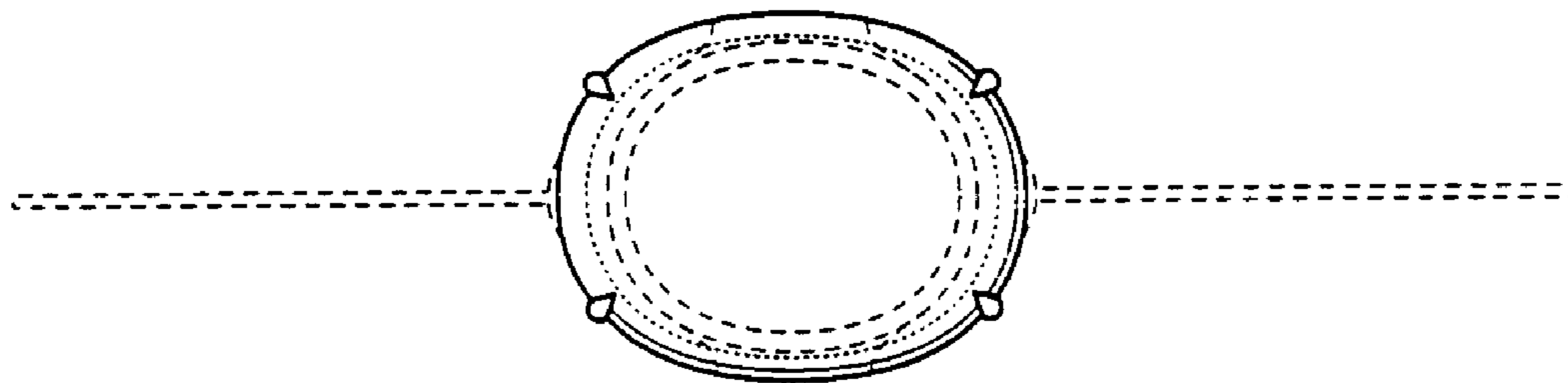


FIG. 59