

US00D545657S

(12) **United States Design Patent** (10) **Patent No.:** **US D545,657 S**
Yamamoto et al. (45) **Date of Patent:** **** Jul. 3, 2007**

(54) **PORTABLE POWER SAW**
(75) Inventors: **Yuji Yamamoto**, Anjo (JP); **Satoshi Tsuji**, Anjo (JP); **Tomohiro Ukai**, Anjo (JP); **Kiyozumi Kokawa**, Anjo (JP)

2003/0110645 A1* 6/2003 Phillips et al. 30/392
2003/0163924 A1* 9/2003 Hempe et al. 30/388
2004/0148789 A1* 8/2004 Gist et al. 30/392
2004/0149553 A1* 8/2004 Duffek et al. 200/61.58 R
2005/0092156 A1* 5/2005 Michel et al. 83/698.11
2005/0126018 A1* 6/2005 Haas 30/394

(73) Assignee: **Makita Corporation**, Aichi-ken (JP)

FOREIGN PATENT DOCUMENTS

(**) Term: **14 Years**

DE 40109686 5/2002

(21) Appl. No.: **29/216,292**

* cited by examiner

(22) Filed: **Nov. 2, 2004**

Primary Examiner—Cathron C. Brooks

Assistant Examiner—Austin Murphy

(51) **LOC (8) Cl.** **08-03**

(52) **U.S. Cl.** **D8/64**

(58) **Field of Classification Search** D8/69,
D8/68, 67, 66, 65, 64, 62, 61; 30/92, 394,
30/393, 392, 377, 376, 371; 74/50, 49; 173/217,
173/216; 83/699.21; 446/145
See application file for complete search history.

(74) *Attorney, Agent, or Firm*—Dennison, Schultz & MacDonald

(57) **CLAIM**

The ornamental design for a portable power saw, as shown and described.

(56) **References Cited**

DESCRIPTION

U.S. PATENT DOCUMENTS

5,007,172 A * 4/1991 Palm 30/377
D408,699 S * 4/1999 Zurwelle D8/64
6,357,125 B1 * 3/2002 Feldmann et al. 30/392
D468,982 S * 1/2003 Brazell et al. D8/64
D479,453 S * 9/2003 Lind et al. D8/64
D480,616 S 10/2003 Welsh
D504,603 S * 5/2005 Xiaoxian D8/64
D506,117 S * 6/2005 Sun et al. D8/64
6,912,790 B2 * 7/2005 James et al. 30/392
2001/0011420 A1 * 8/2001 Osada 30/392
2002/0144411 A1 * 10/2002 Brooks 30/392

FIG. 1 is a perspective view of a portable power saw showing my new design.

FIG. 2 is a front elevation view thereof;

FIG. 3 is a rear elevation view thereof;

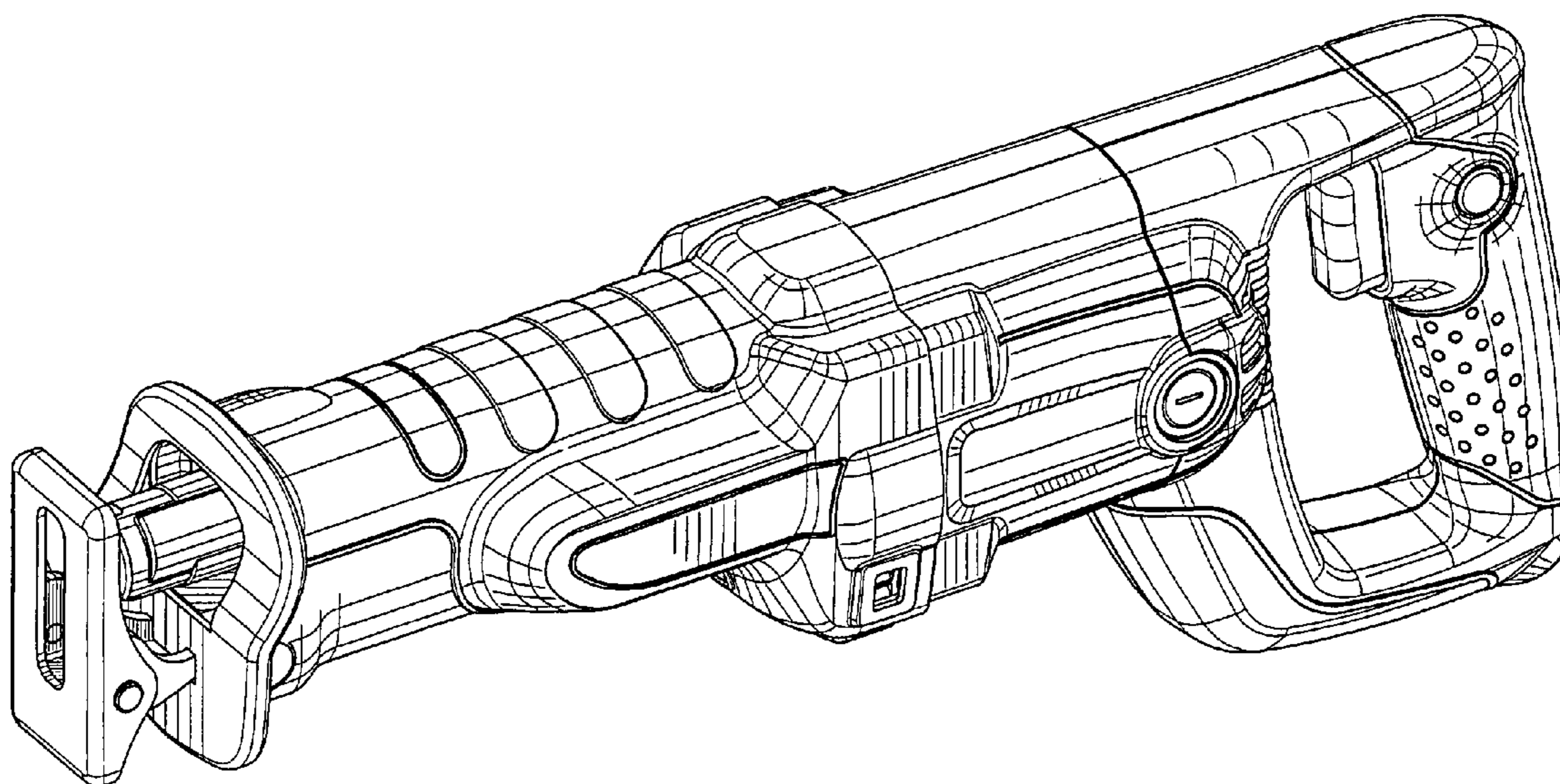
FIG. 4 is a left side elevation view thereof;

FIG. 5 is a right side elevation view thereof;

FIG. 6 is a top plan view thereof; and,

FIG. 7 is a bottom view thereof.

1 Claim, 5 Drawing Sheets



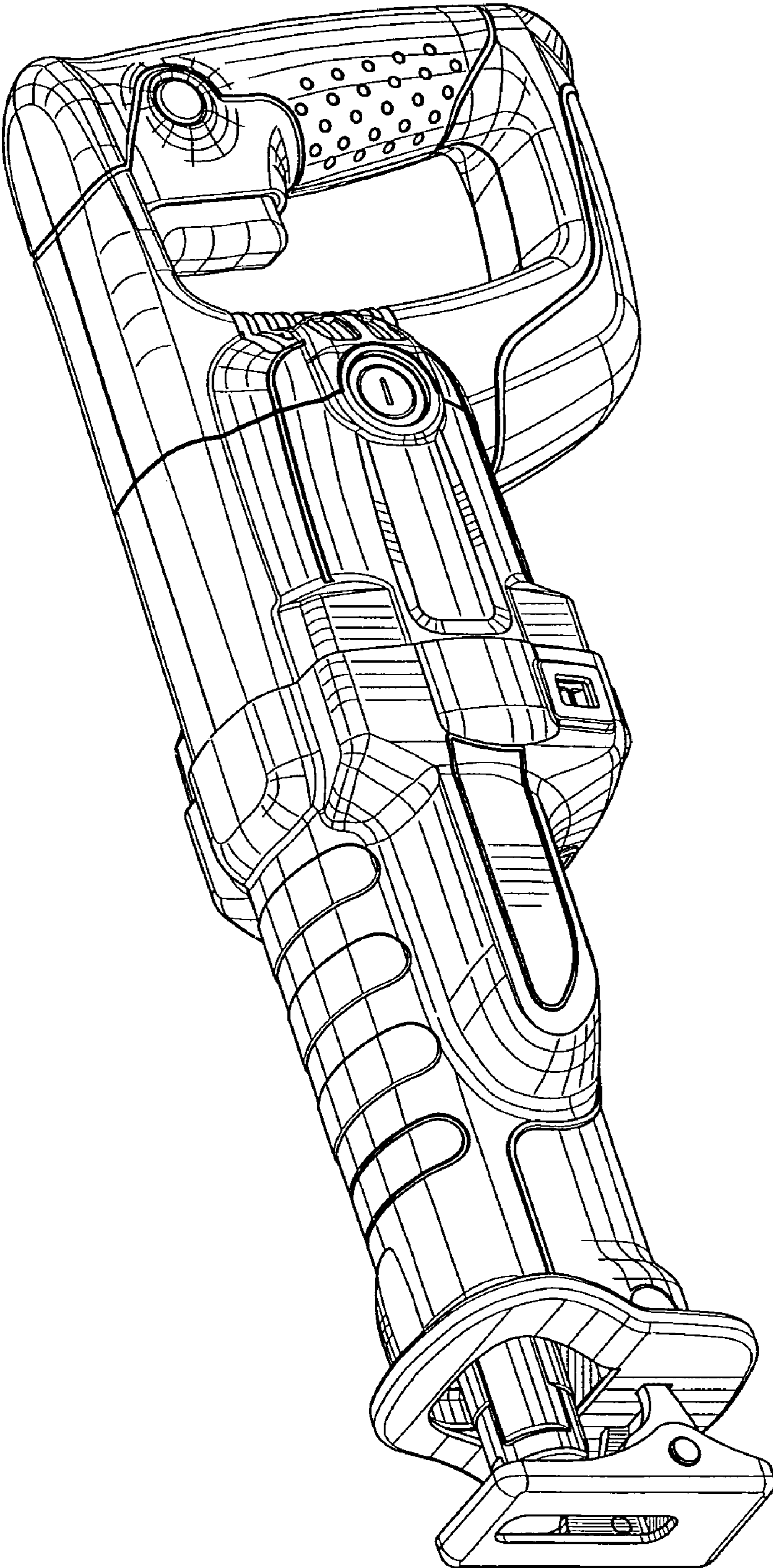


FIG. 1

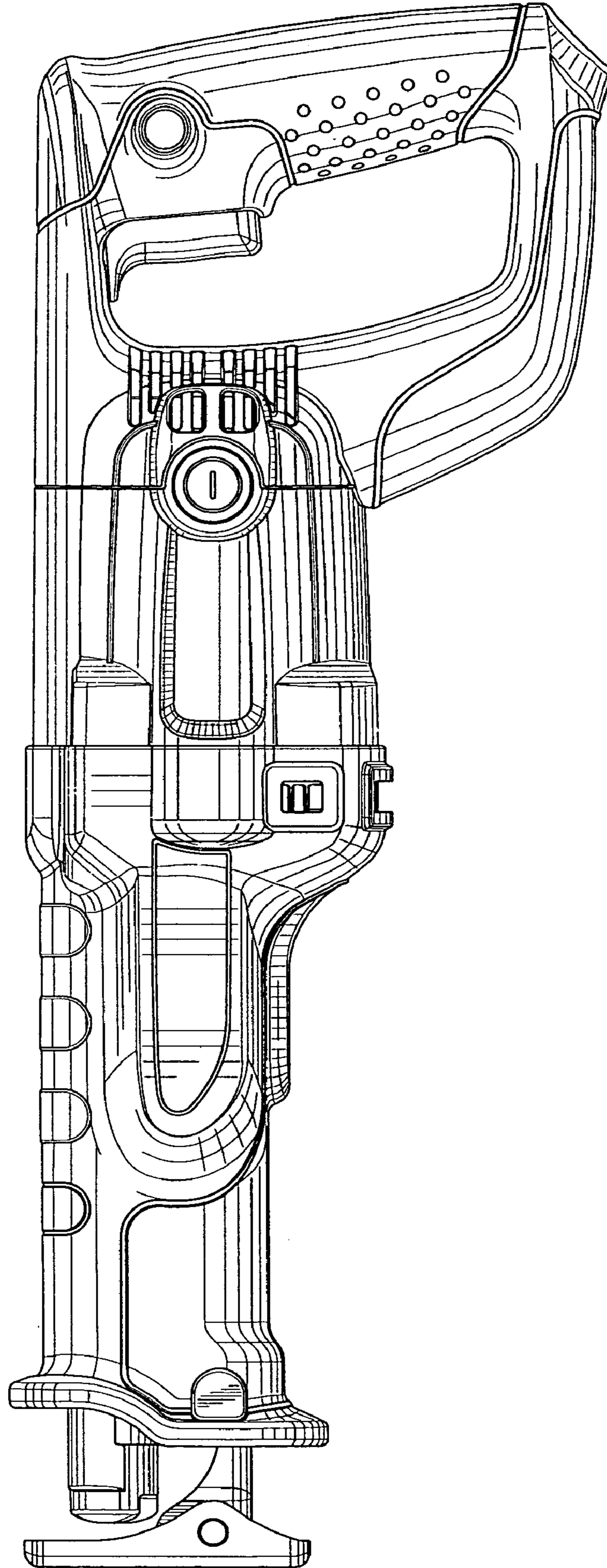


FIG. 2

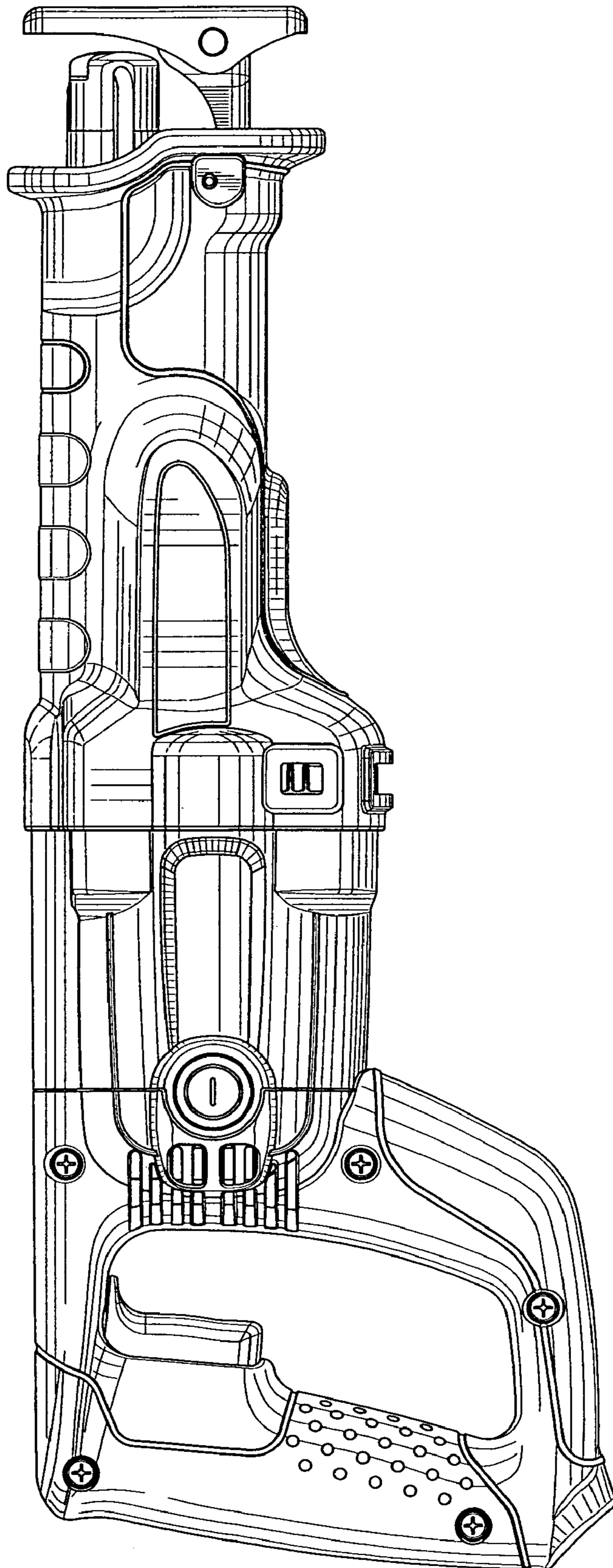


FIG. 3

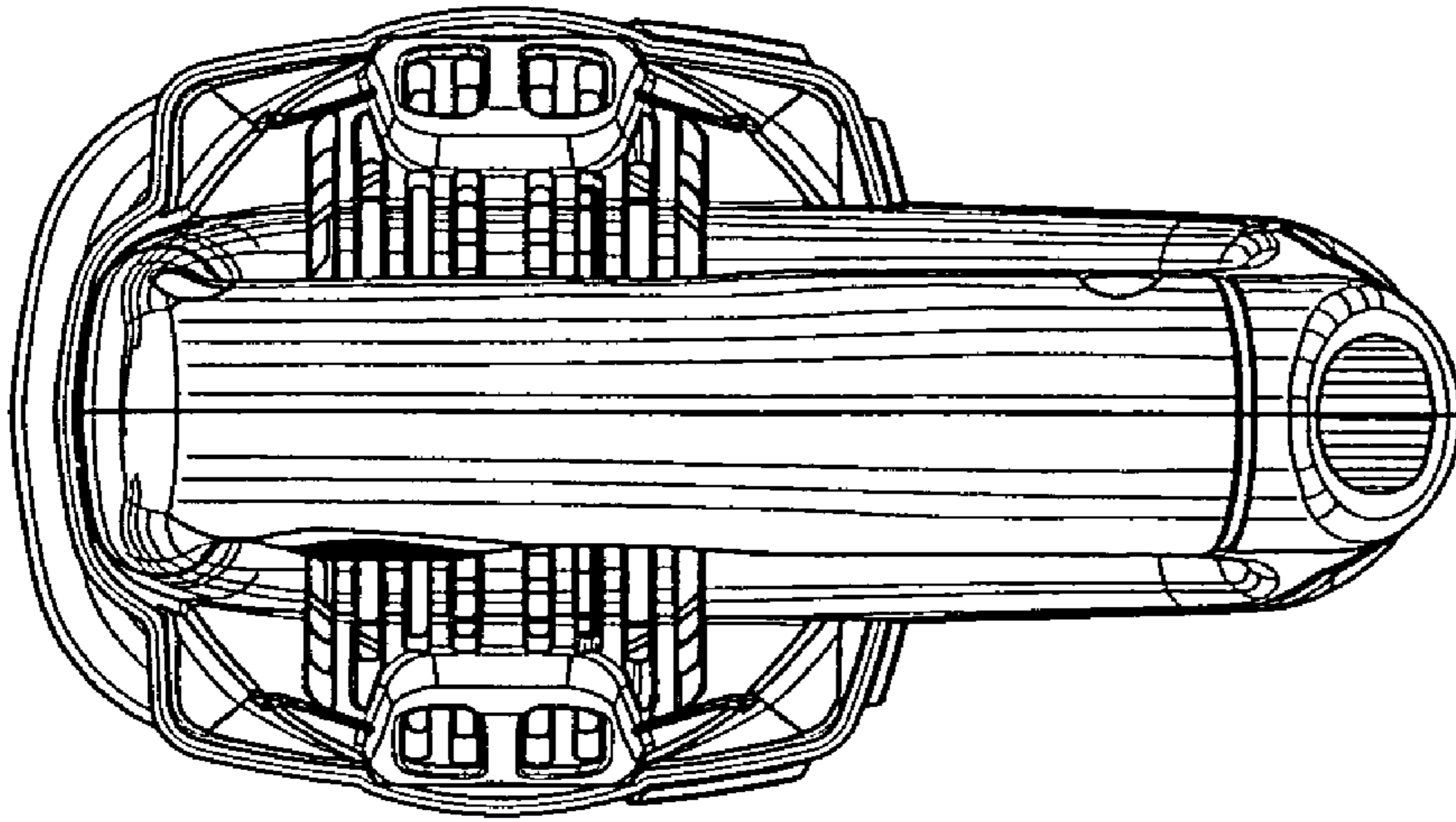


FIG. 5

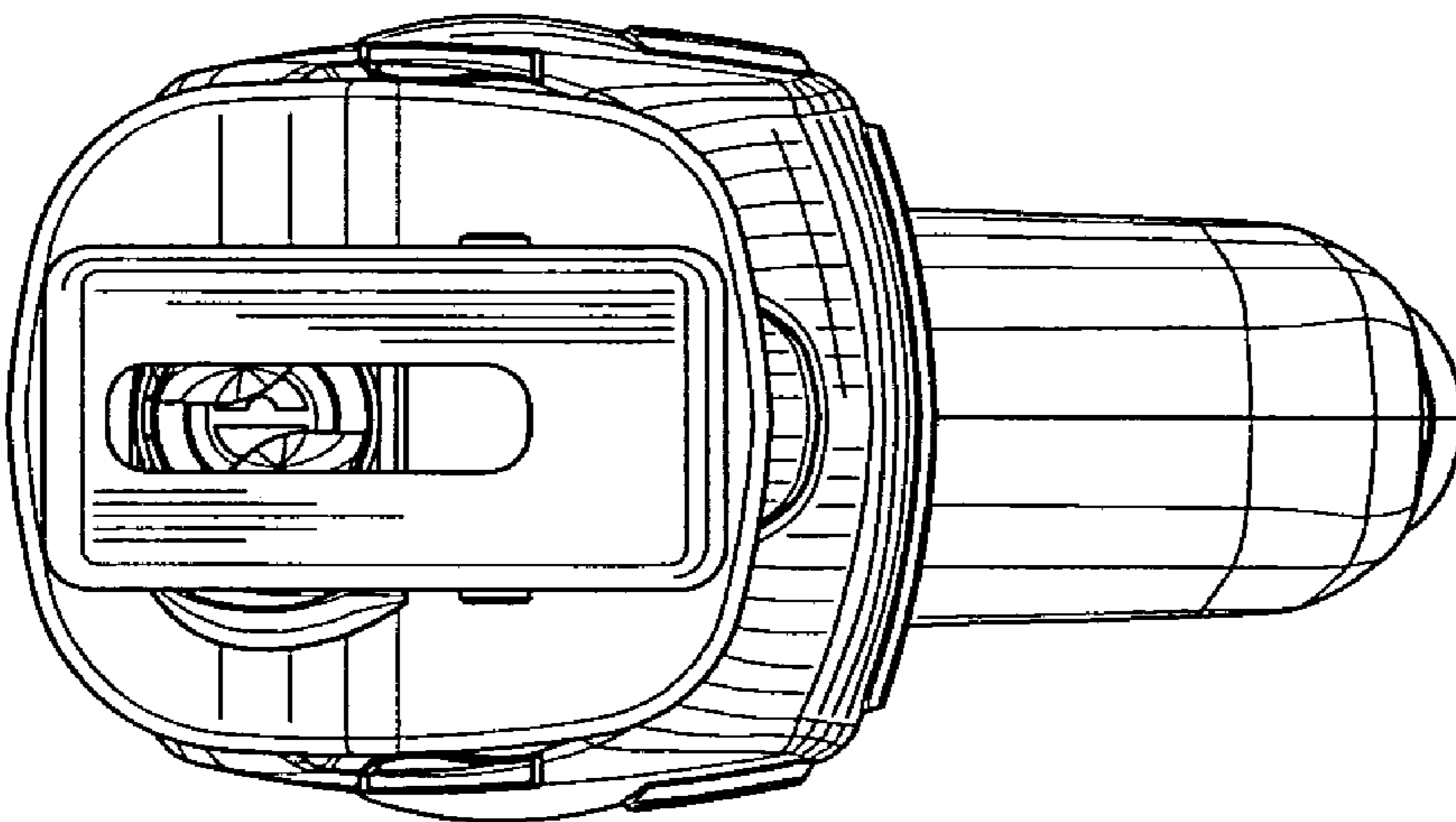


FIG. 4

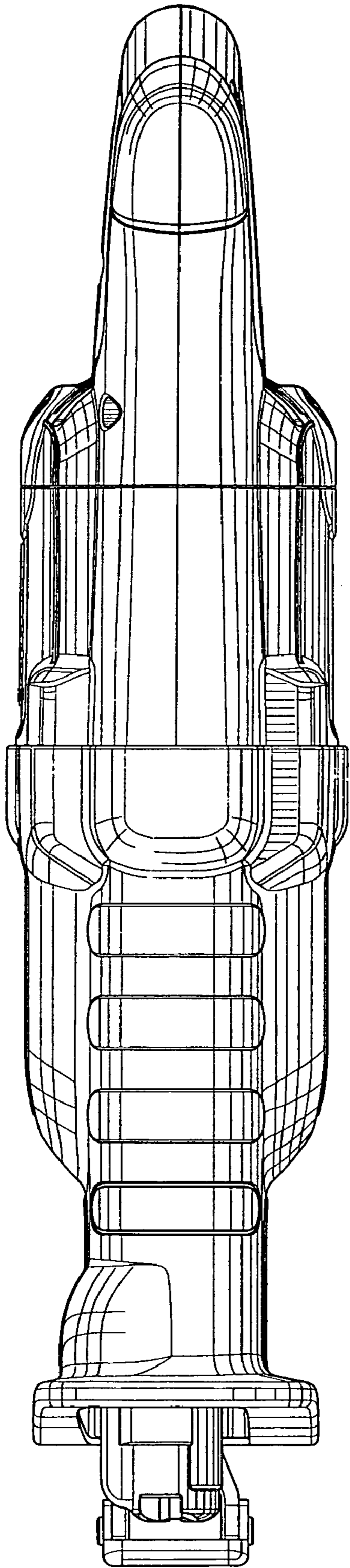


FIG. 6

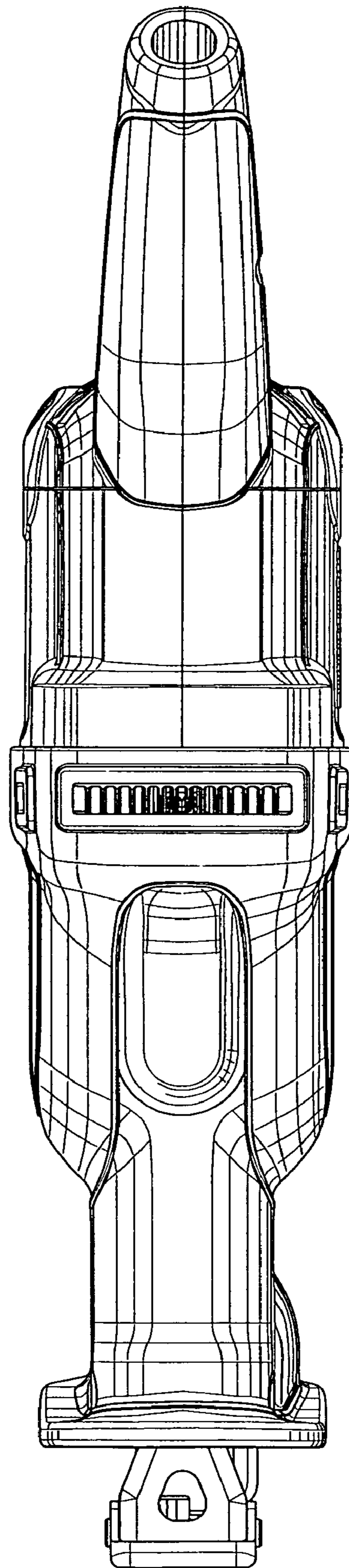


FIG. 7