

US00D545656S

(12) **United States Design Patent**  
**Welsh**

(10) **Patent No.:** **US D545,656 S**

(45) **Date of Patent:** **\*\* Jul. 3, 2007**

(54) **PORTABLE BAND SAW**

- (75) Inventor: **Robert P. Welsh**, Hunt Valley, MD (US)
  - (73) Assignee: **Black & Decker Inc.**, Newark, DE (US)
  - (\*) Notice: This patent is subject to a terminal disclaimer.
  - (\*\*) Term: **14 Years**
  - (21) Appl. No.: **29/196,126**
  - (22) Filed: **Dec. 22, 2003**
  - (51) **LOC (8) Cl.** ..... **08-03**
  - (52) **U.S. Cl.** ..... **D8/64**
  - (58) **Field of Classification Search** ..... D8/64;  
D15/138; 83/824, 818, 816, 788; 30/380,  
30/274, 166.3
- See application file for complete search history.

(56) **References Cited**

**U.S. PATENT DOCUMENTS**

D172,581 S	7/1954	Crane	
D217,799 S	6/1970	Armada	
4,001,937 A *	1/1977	Stelljes et al.	30/380
D248,085 S	6/1978	Stelljes	
D288,933 S	3/1987	Nishimura	
4,823,666 A *	4/1989	Galloway	83/788
D306,126 S	2/1990	Arehart	
D316,507 S	4/1991	Fushiya	
D345,171 S	3/1994	Watanabe et al.	
D369,609 S	5/1996	Liao	
D395,438 S *	6/1998	Armstrong	D15/134
D423,022 S *	4/2000	Brazell et al.	D15/133
D434,049 S *	11/2000	Brazell	D15/134
D478,918 S	8/2003	Casanova	
6,829,830 B2 *	12/2004	O'Banion	30/371
2004/0139835 A1 *	7/2004	Wright et al.	83/788
2004/0158996 A1 *	8/2004	McIntosh	30/380
2005/0188550 A1 *	9/2005	Uehlein-Proctor et al.	30/380

**OTHER PUBLICATIONS**

- Dewalt Band Saw [http://www.amazon.com/gp/product/B0002Q8THI/qid=1135256066/sr=1-1/ref=sr\\_1\\_1/104-5933923-0763124?%5Fencoding=UTF8&v=glance&n=228013](http://www.amazon.com/gp/product/B0002Q8THI/qid=1135256066/sr=1-1/ref=sr_1_1/104-5933923-0763124?%5Fencoding=UTF8&v=glance&n=228013) Dec. 22, 2005.\*
- Hitachi—CB 12VA; Internet at: <http://www.hitachi-koki.co.jp/powertools/products/cutter/cb12va/cb12va.html>.
- Milwaukee—Deep Cut Portable Band Saw # 6236 Internet at: <http://www.milwaukeeconnect.com/webapp/wcs/stores/servlet/ProductDisplay?storeid=27&...>
- Milwaukee—Portable Band Saw # 6226 Internet at: <http://www.milwaukeeconnect.com/webapp/wcs/stores/servlet/ProductDisplay?storeid=27&...>
- Porter Cable—Two-Speed Porta-Band Saw Kit—Model 725; Internet at: <http://www.porter-cable.com/index.asp?e-4434&t=t&p-2759>.
- Porter Cable—Big Capacity Variable-Speed Porta-Band Saw Kit—Model 7724; Internet at: <http://www.porter-cable.com/index.asp?e-4434&t=t&p-2761>.
- RIGID—Operator's Manual, Power Tools—Portable Band Saw and Band Saw Vise; Model Nos. 932VS and 32V.

\* cited by examiner

*Primary Examiner*—Cathron C. Brooks

*Assistant Examiner*—Austin Murphy

(74) *Attorney, Agent, or Firm*—Michael P. Leary; Charles E. Yocum; Adan Ayala

(57) **CLAIM**

The ornamental design for a portable band saw, as shown and described.

**DESCRIPTION**

FIG. 1 is a left front perspective view of a portable band saw showing my new design.

FIG. 2 is a Left side view thereof.

FIG. 3 is a right side view thereof.

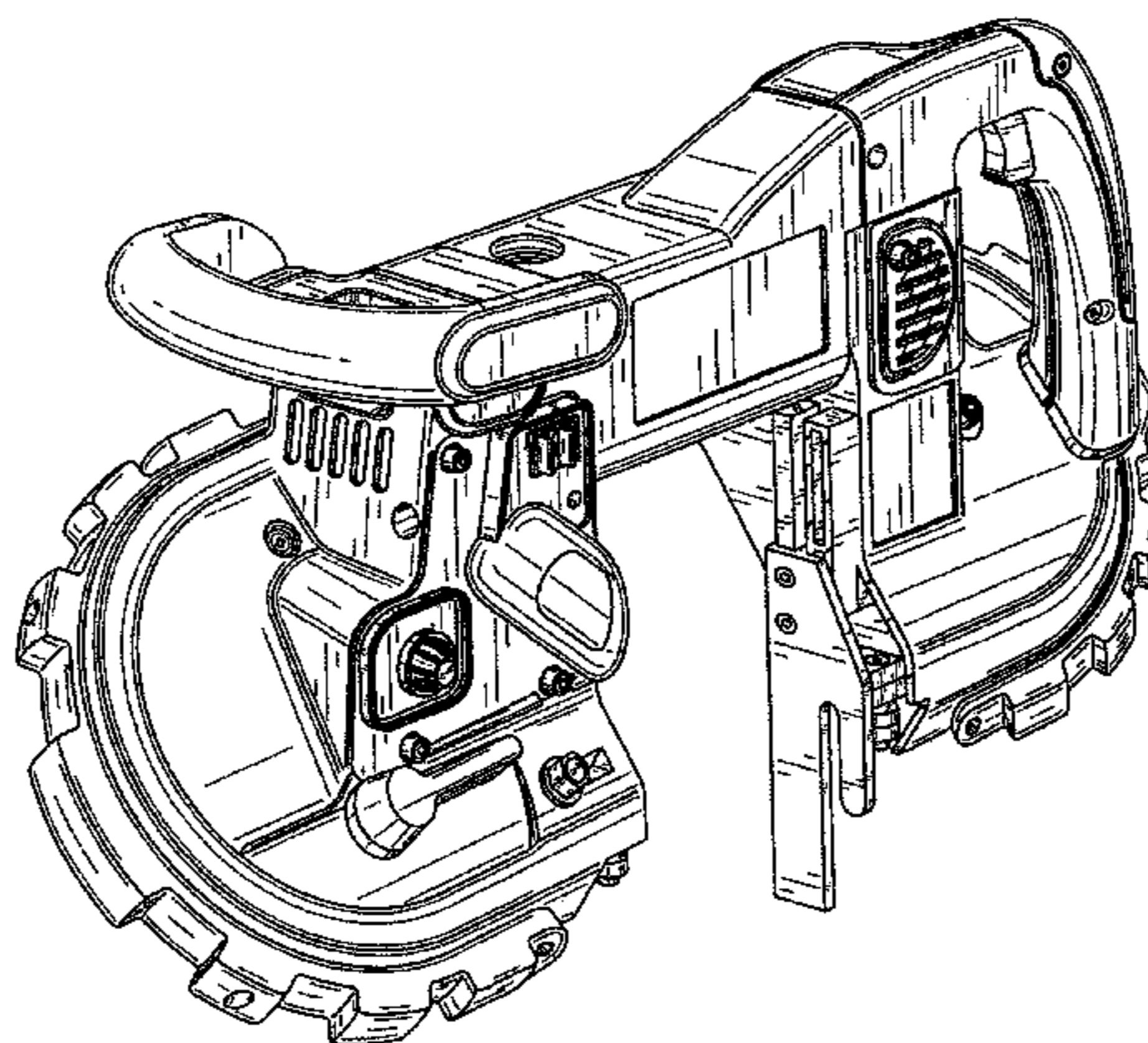
FIG. 4 is a front view thereof.

FIG. 5 is a rear view thereof.

FIG. 6 is a top view thereof; and,

FIG. 7 is a bottom view thereof.

**1 Claim, 7 Drawing Sheets**



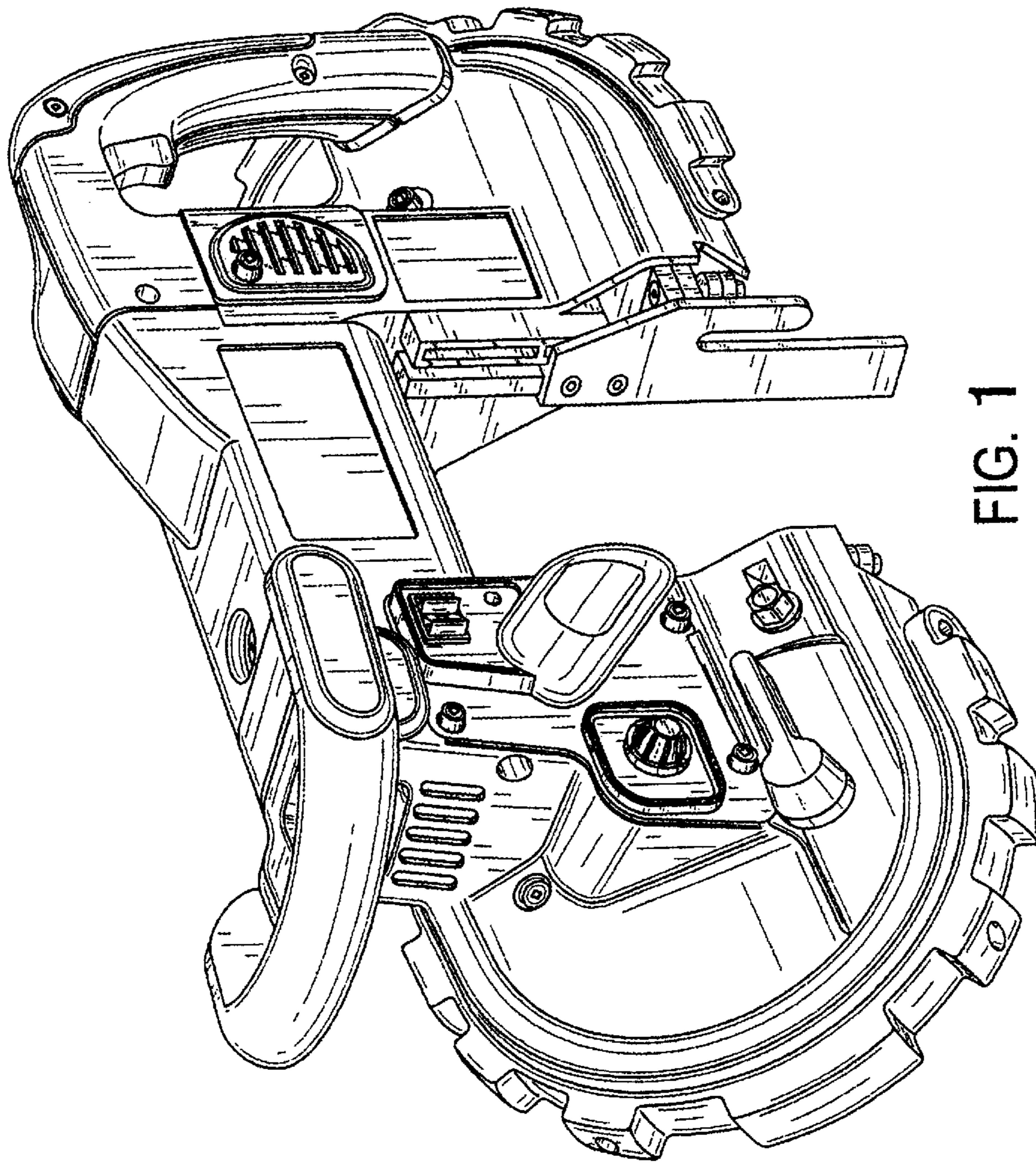


FIG. 1

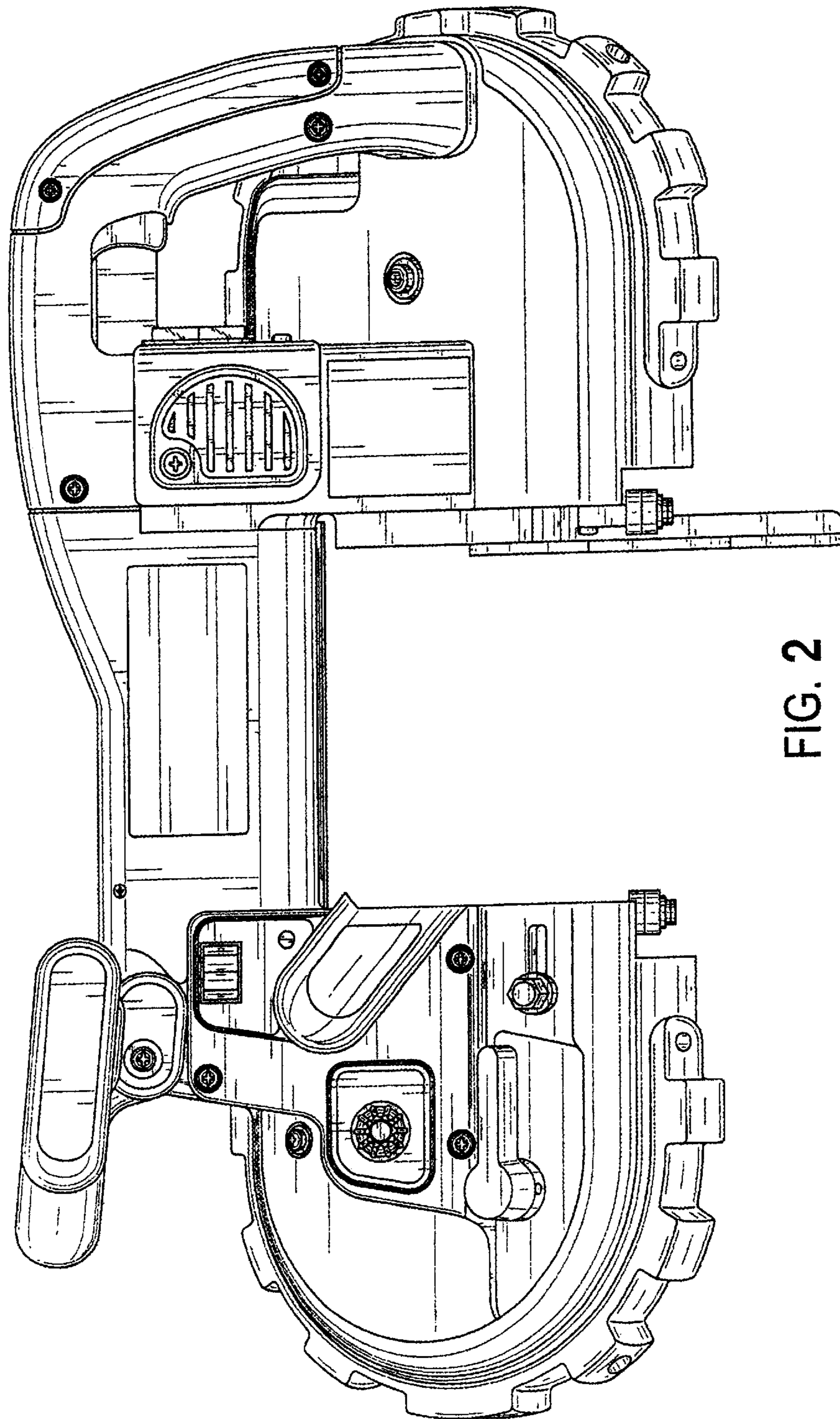


FIG. 2

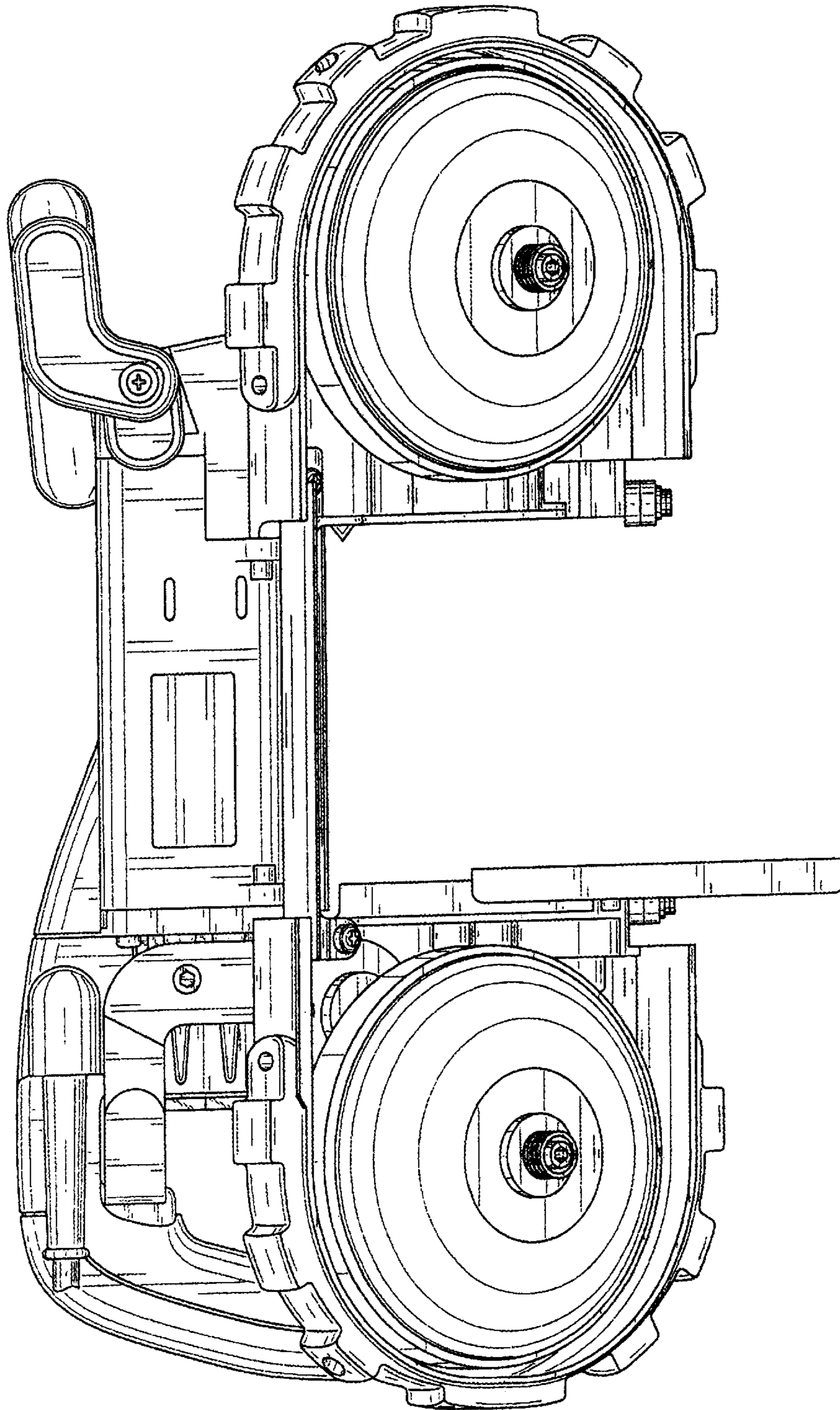


FIG. 3

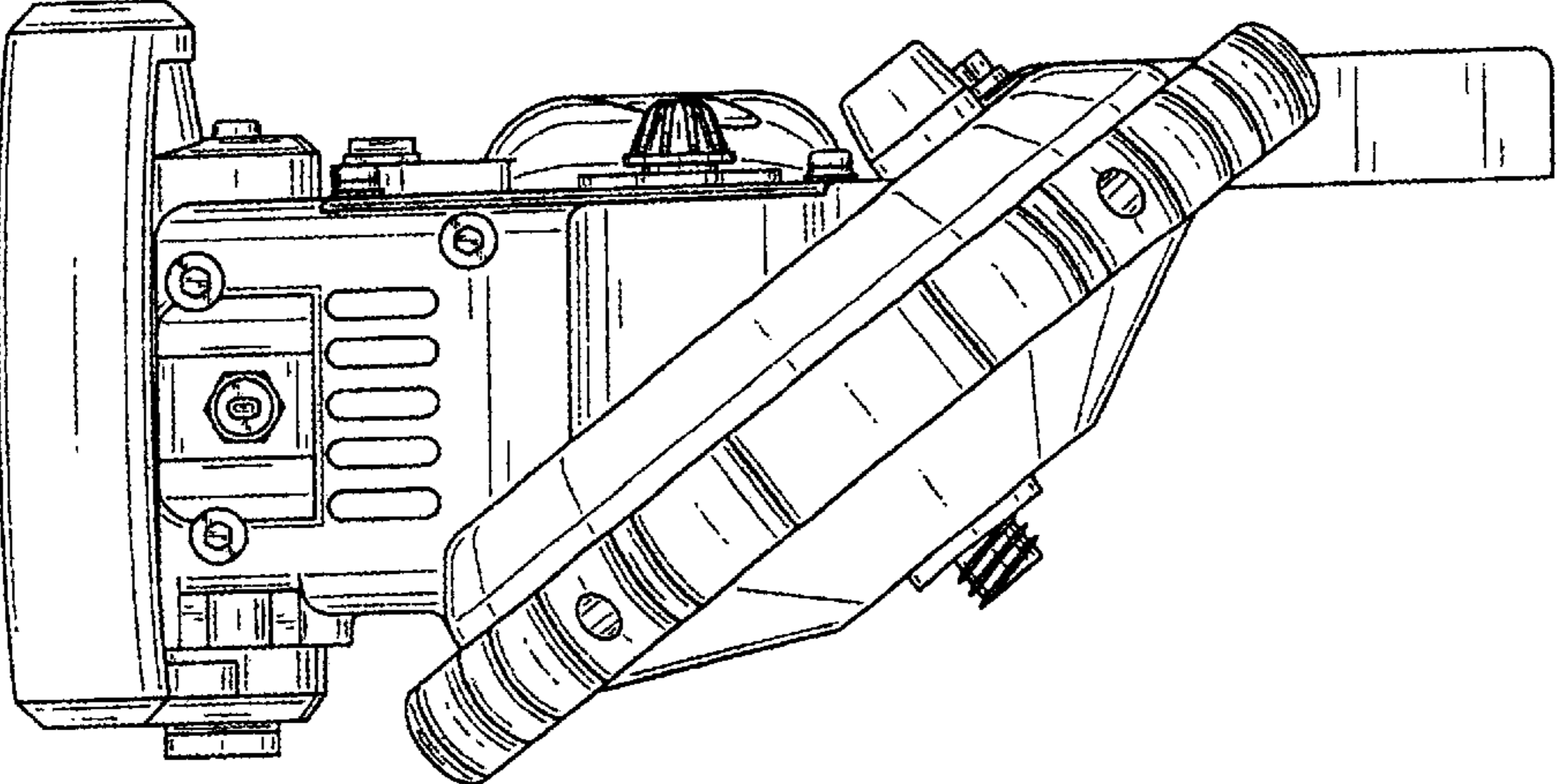


FIG. 4

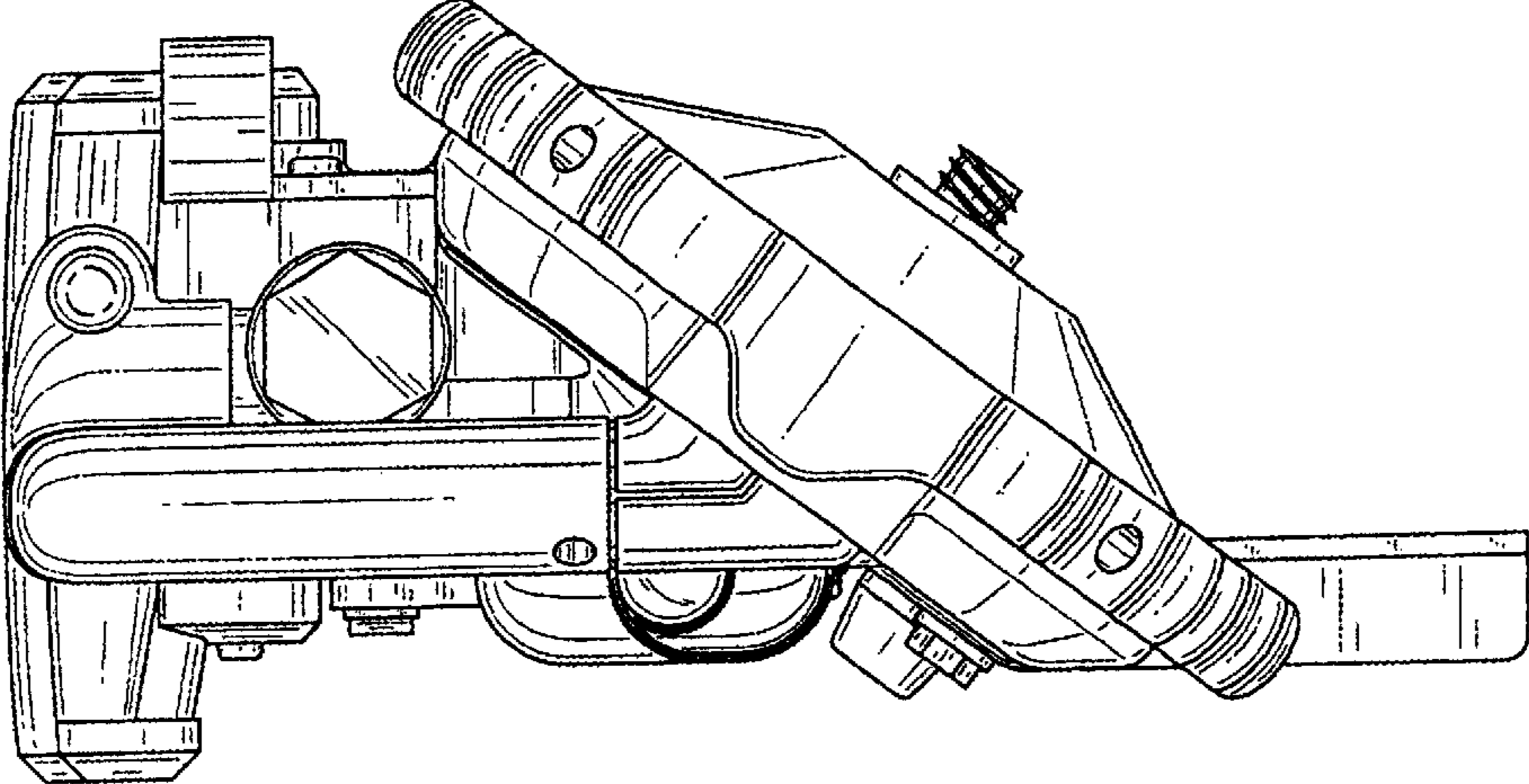


FIG. 5

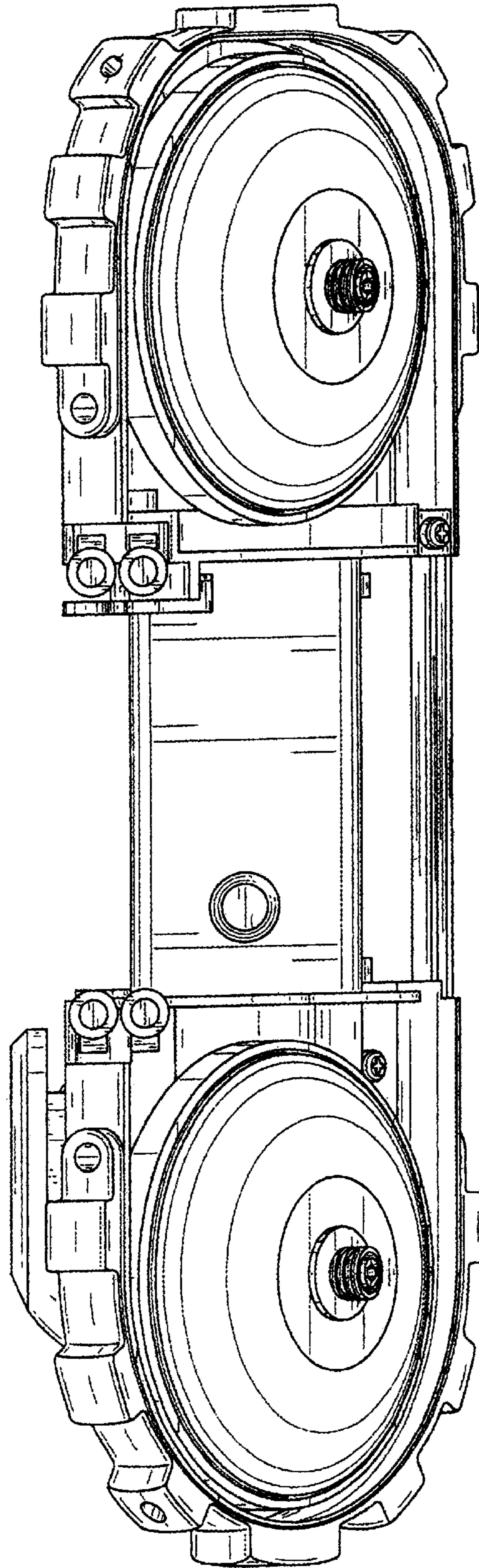


FIG. 6

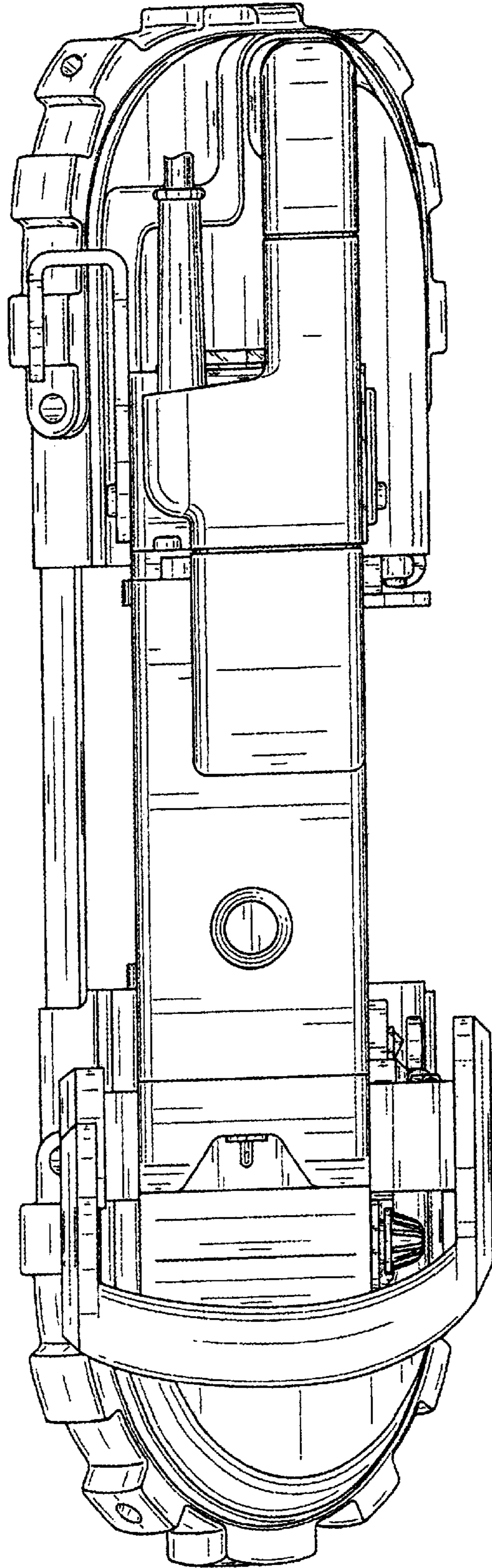


FIG. 7