



US00D545652S

(12) **United States Design Patent**
Verhine, Jr.

(10) **Patent No.:** **US D545,652 S**

(45) **Date of Patent:** **** Jul. 3, 2007**

(54) **GLOW PLUG PULLER**

(76) **Inventor:** **Walter Verhine, Jr.**, 85 Old Mill Rd.,
White, GA (US) 30184

(**) **Term:** **14 Years**

(21) **Appl. No.:** **29/219,328**

(22) **Filed:** **Dec. 16, 2004**

(51) **LOC (8) Cl.** **08-05**

(52) **U.S. Cl.** **D8/51; D8/14**

(58) **Field of Classification Search** D8/14,
D8/51; 29/256, 259, 264, 263, 258
See application file for complete search history.

(56) **References Cited**

U.S. PATENT DOCUMENTS

- 3,763,539 A * 10/1973 Dodd 29/259
- 4,174,558 A * 11/1979 Dombrowski 29/259
- D255,768 S * 7/1980 Immel et al. D8/51
- 4,299,020 A * 11/1981 Grego, Jr. 29/259

- D275,548 S 9/1984 McDaniel
- D336,599 S * 6/1993 Rubino D8/51
- D358,075 S * 5/1995 Ulmer D8/51
- D359,670 S * 6/1995 Cutter D8/51
- D370,608 S 6/1996 Wagner
- 6,185,804 B1 2/2001 Burns et al.

* cited by examiner

Primary Examiner—Philip S. Hyder

(74) *Attorney, Agent, or Firm*—Richard L. Mikesell

(57) **CLAIM**

The ornamental design for a glow plug puller, as shown.

DESCRIPTION

FIG. 1 is a perspective view of a glow plug puller showing my new design; and,

FIG. 2 is a bottom plan view of the design, drawn to a larger scale for clarity.

1 Claim, 1 Drawing Sheet

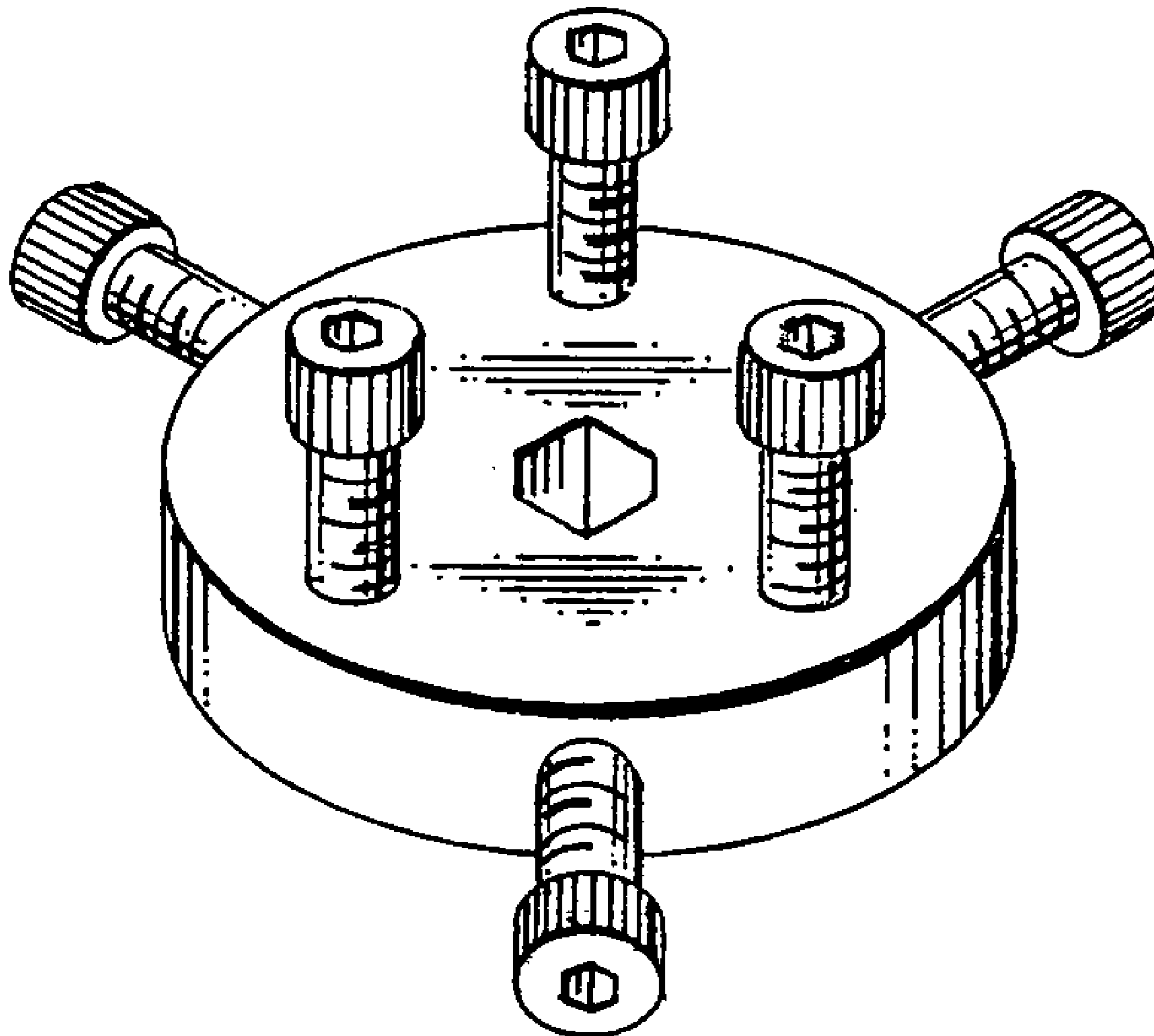


FIG. 1

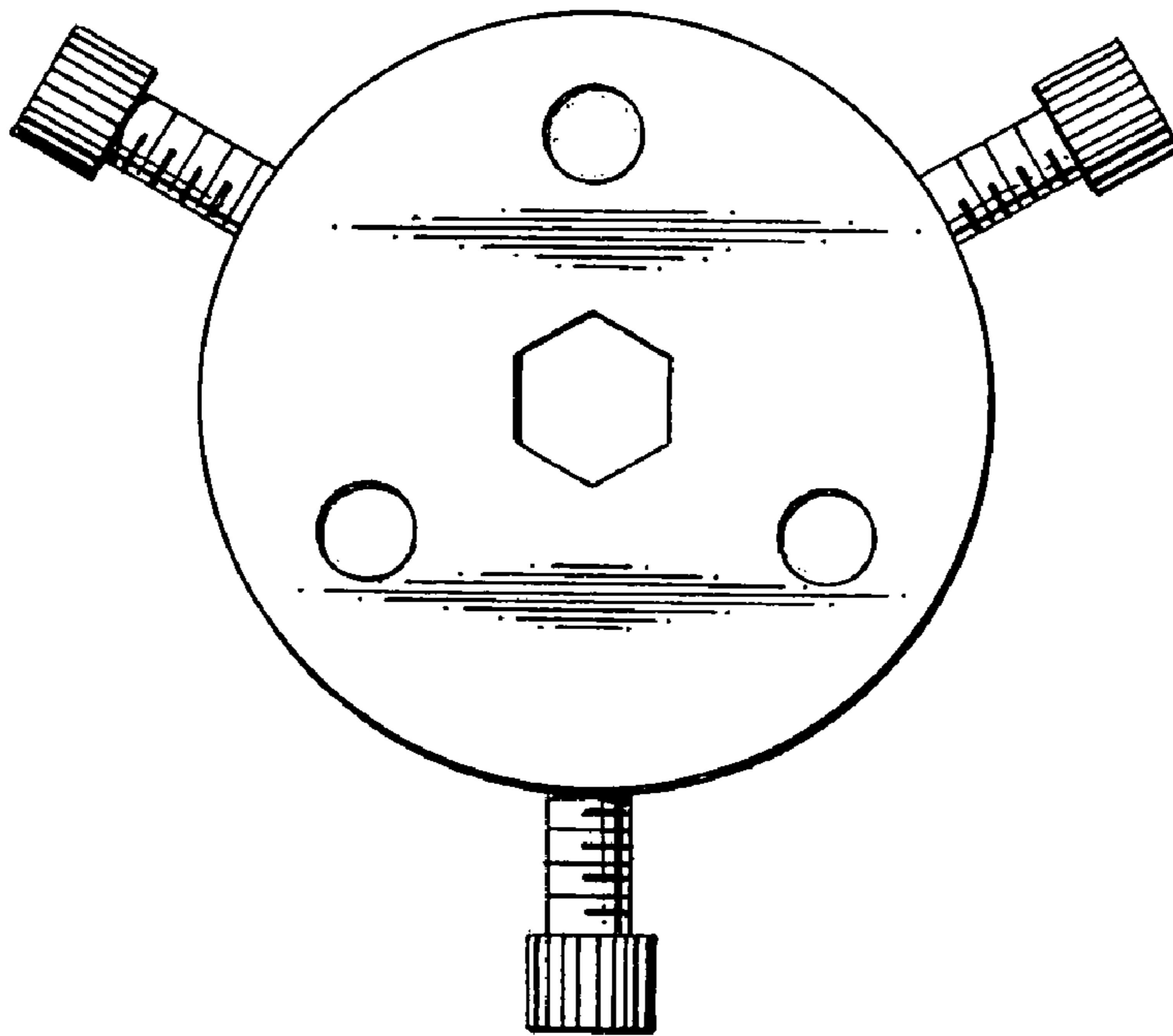
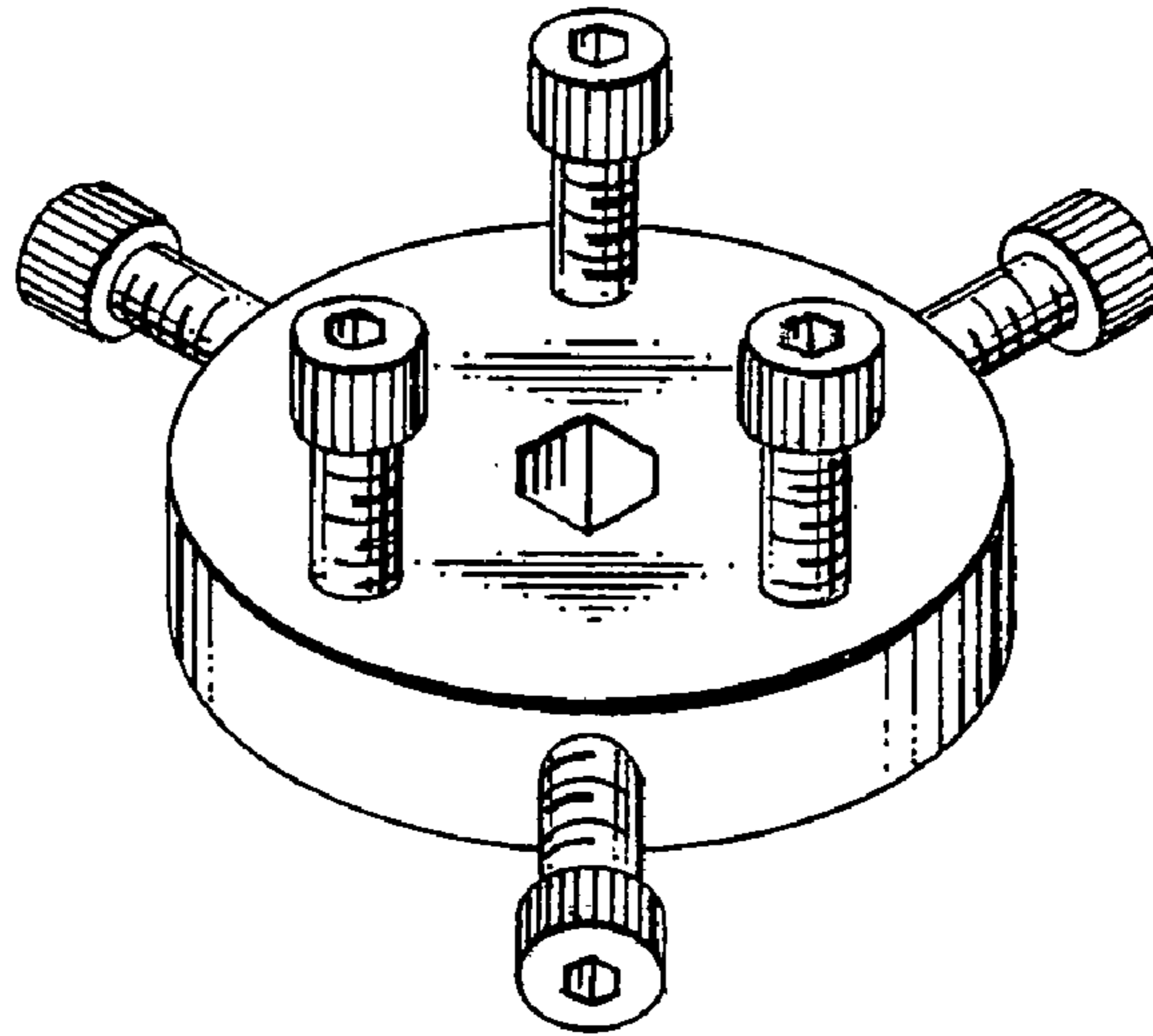


FIG. 2