

US00D545650S

(12) **United States Design Patent**
Kiely

(10) **Patent No.:** **US D545,650 S**

(45) **Date of Patent:** **** Jul. 3, 2007**

(54) **INSTALLMENT TOOL FOR ELECTRIC CONNECTORS**

D422,858 S * 4/2000 Moore D8/17
D445,655 S * 7/2001 Maddox D8/17
D488,689 S * 4/2004 Smith, IV D8/33

(75) Inventor: **Kenneth M. Kiely**, Milford, CT (US)

* cited by examiner

(73) Assignee: **Bridgeport Fittings, Inc.**, Stratford, CT (US)

Primary Examiner—Robert M. Spear
Assistant Examiner—Garth Rademaker

(**) Term: **14 Years**

(74) *Attorney, Agent, or Firm*—Fattibene & Fattibene; Paul A. Fattibene; Arthur T. Fattibene

(21) Appl. No.: **29/254,782**

(57) **CLAIM**

(22) Filed: **Feb. 28, 2006**

The ornamental design for an installment tool for electric connectors, as shown and described.

(51) **LOC (8) Cl.** **08-05**

(52) **U.S. Cl.** **D8/19**

(58) **Field of Classification Search** D8/16-19,
D8/21, 27, 33-43, 88, 105; D7/665, 666,
D7/680; 7/113, 151-156; 81/3.07, 3.09,
81/3.27, 3.4, 3.55

See application file for complete search history.

DESCRIPTION

FIG. 1 is a perspective view of an installation tool for electric connectors showing the new design.

FIG. 2 is a bottom plan view thereof.

FIG. 3 is a right side elevation view thereof, shown at an enlarged scale.

FIG. 4 is a top plan view thereof, shown at a reduced scale.

FIG. 5 is a front elevation view thereof; and,

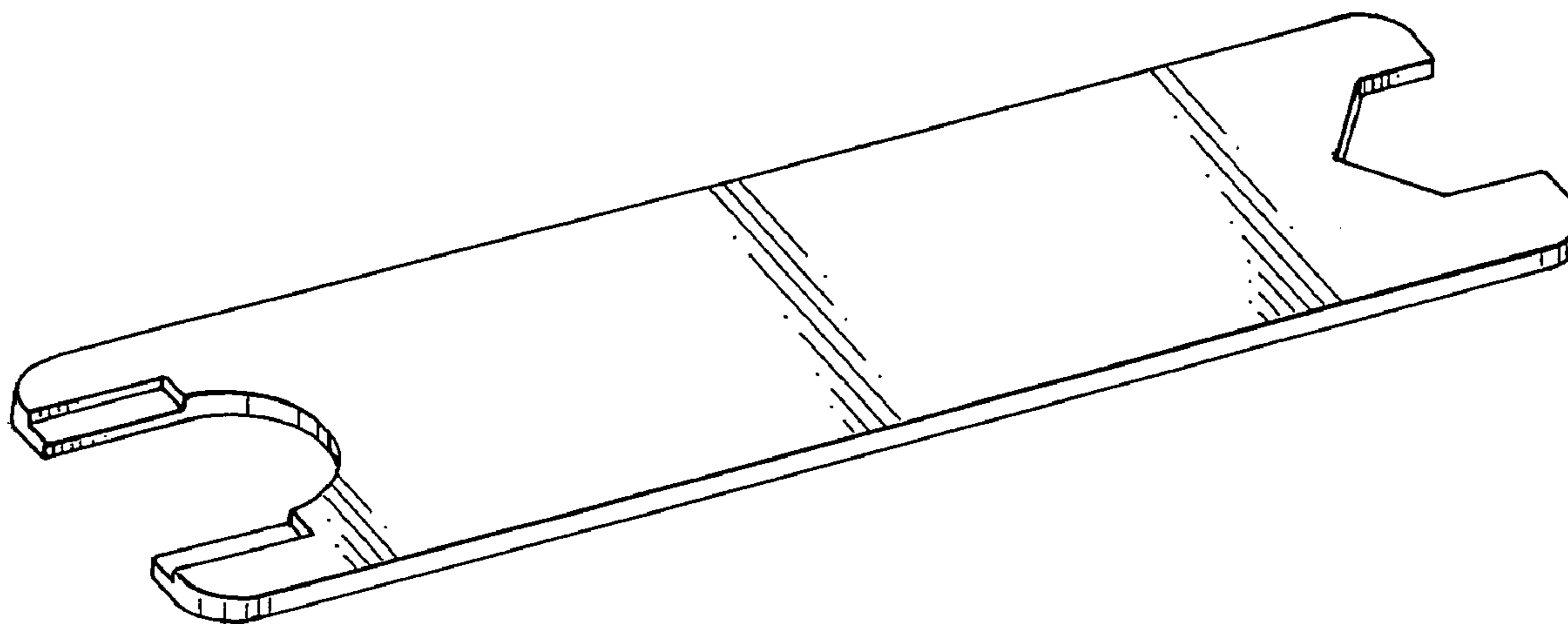
FIG. 6 is a left side elevation view thereof, shown at an enlarged scale.

(56) **References Cited**

U.S. PATENT DOCUMENTS

1,641,252 A * 9/1927 Dickey D8/17
D270,944 S * 10/1983 Hostetler D8/16
D282,046 S * 1/1986 Dumond et al. D8/21
D416,178 S * 11/1999 Moore et al. D8/16
D420,265 S * 2/2000 Pierce D8/40

1 Claim, 1 Drawing Sheet



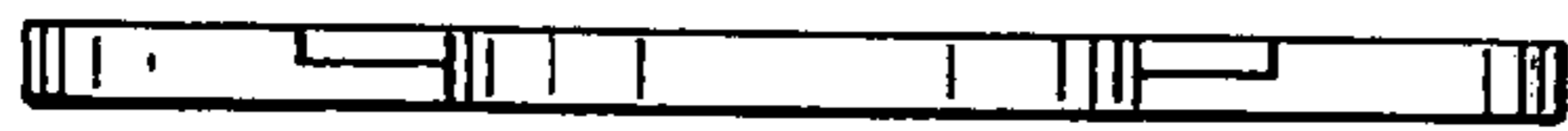
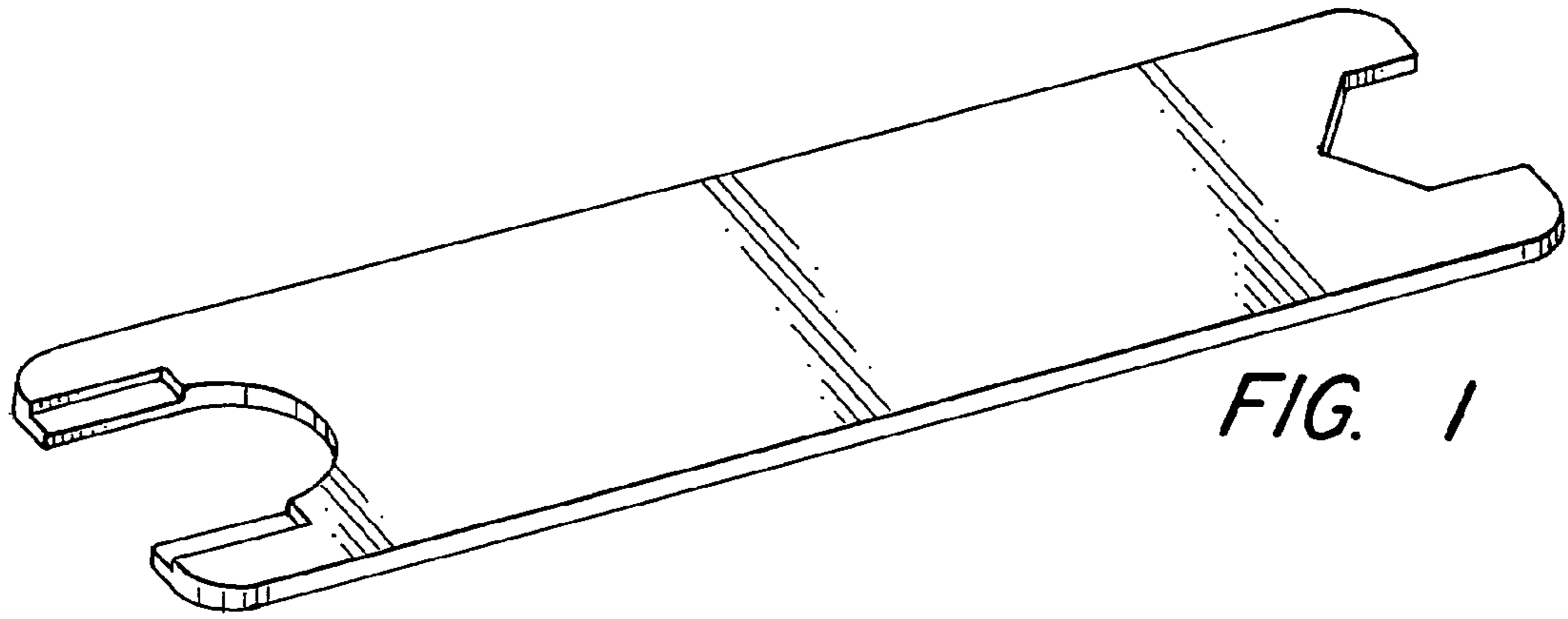


FIG. 6



FIG. 3

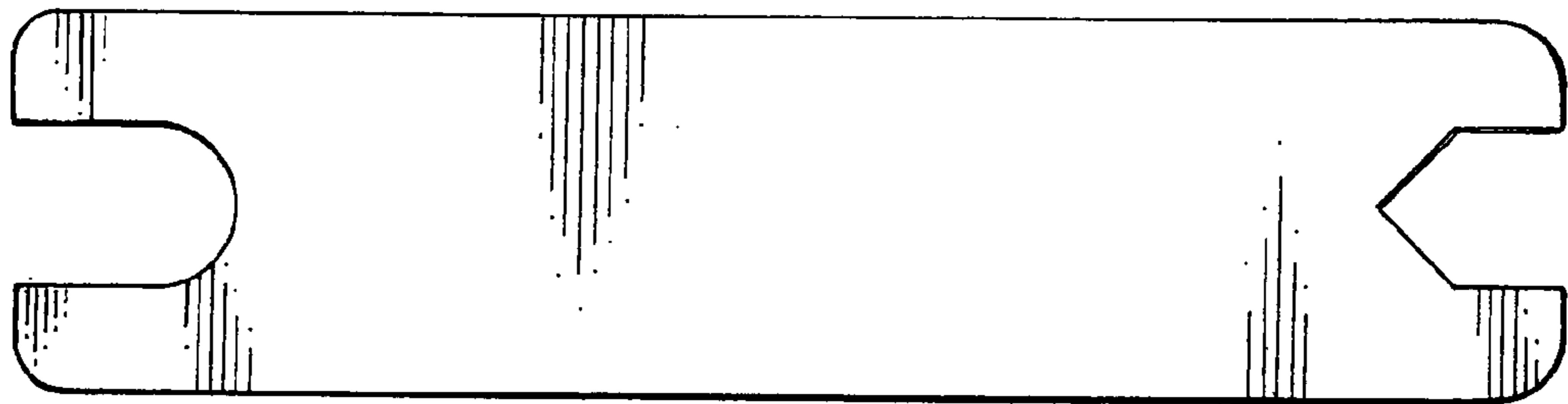


FIG. 2

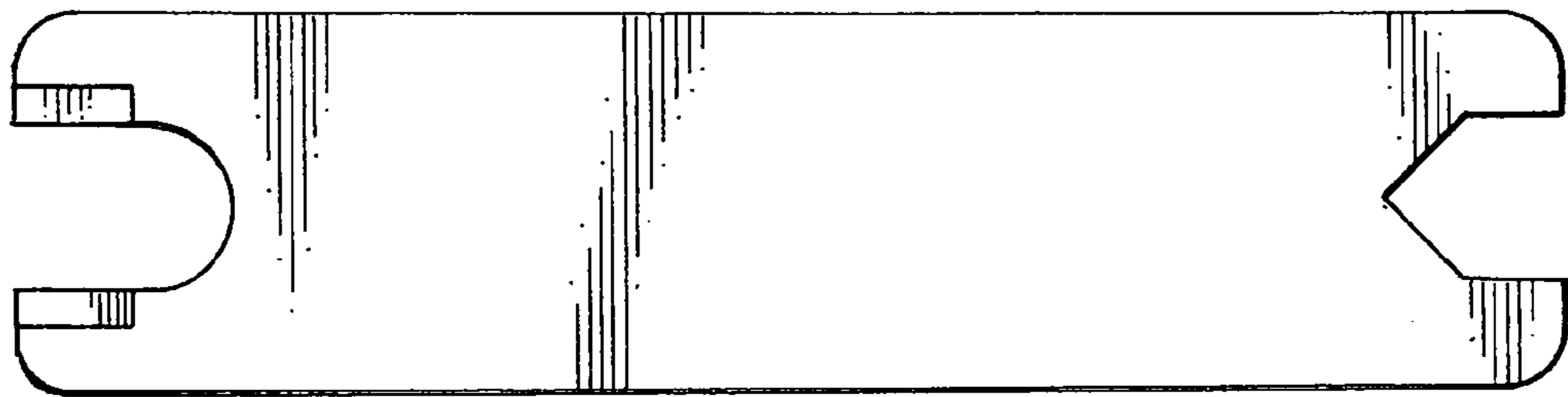


FIG. 4



FIG. 5