



US00D545644S

(12) **United States Design Patent**
Deni

(10) **Patent No.:** **US D545,644 S**

(45) **Date of Patent:** **** Jul. 3, 2007**

(54) **MEAT TENDERIZER**

6,223,651 B1 * 5/2001 Campbell 99/494
D481,268 S 10/2003 Hibbert
D506,905 S 7/2005 Lee

(76) Inventor: **Leonard Deni**, 20 Norris St., Buffalo,
NY (US) 14207

(**) Term: **14 Years**

* cited by examiner

(21) Appl. No.: **29/267,978**

Primary Examiner—Terry A. Wallace
(74) *Attorney, Agent, or Firm*—Kloss Stenger Kroll
Lotempio; Vincent G. LoTem

(22) Filed: **Oct. 26, 2006**

(57) **CLAIM**

(51) **LOC (8) Cl.** **07-04**

(52) **U.S. Cl.** **D7/682**

(58) **Field of Classification Search** D7/682,
D7/679, 372–374; 241/168, 169, 169.1,
241/169.2, 285.1; 452/102, 141, 145–147

The ornamental design for a meat tenderizer, as shown and
described.

See application file for complete search history.

DESCRIPTION

(56) **References Cited**

FIG. 1 is a perspective view of a meat tenderizer showing
my new design;

U.S. PATENT DOCUMENTS

FIG. 2 is a side left view thereof;

210,503	A	12/1878	Coulter	
2,323,667	A	* 7/1943	Moldawsky	452/146
D169,561	S	* 5/1953	Raymond	D7/682
3,772,737	A	* 11/1973	Fleiss	452/146
D235,304	S	* 6/1975	Greenberg	D7/682
4,199,841	A	* 4/1980	Jaccard	452/146
D265,281	S	* 7/1982	Bennett	D7/382
D276,685	S	* 12/1984	Jaccard	D7/682

FIG. 3 is a side right view thereof;

FIG. 4 a front plan view thereof;

FIG. 5 is a back plan view thereof;

FIG. 6 is a top view thereof; and,

FIG. 7 is a bottom view thereof.

1 Claim, 2 Drawing Sheets

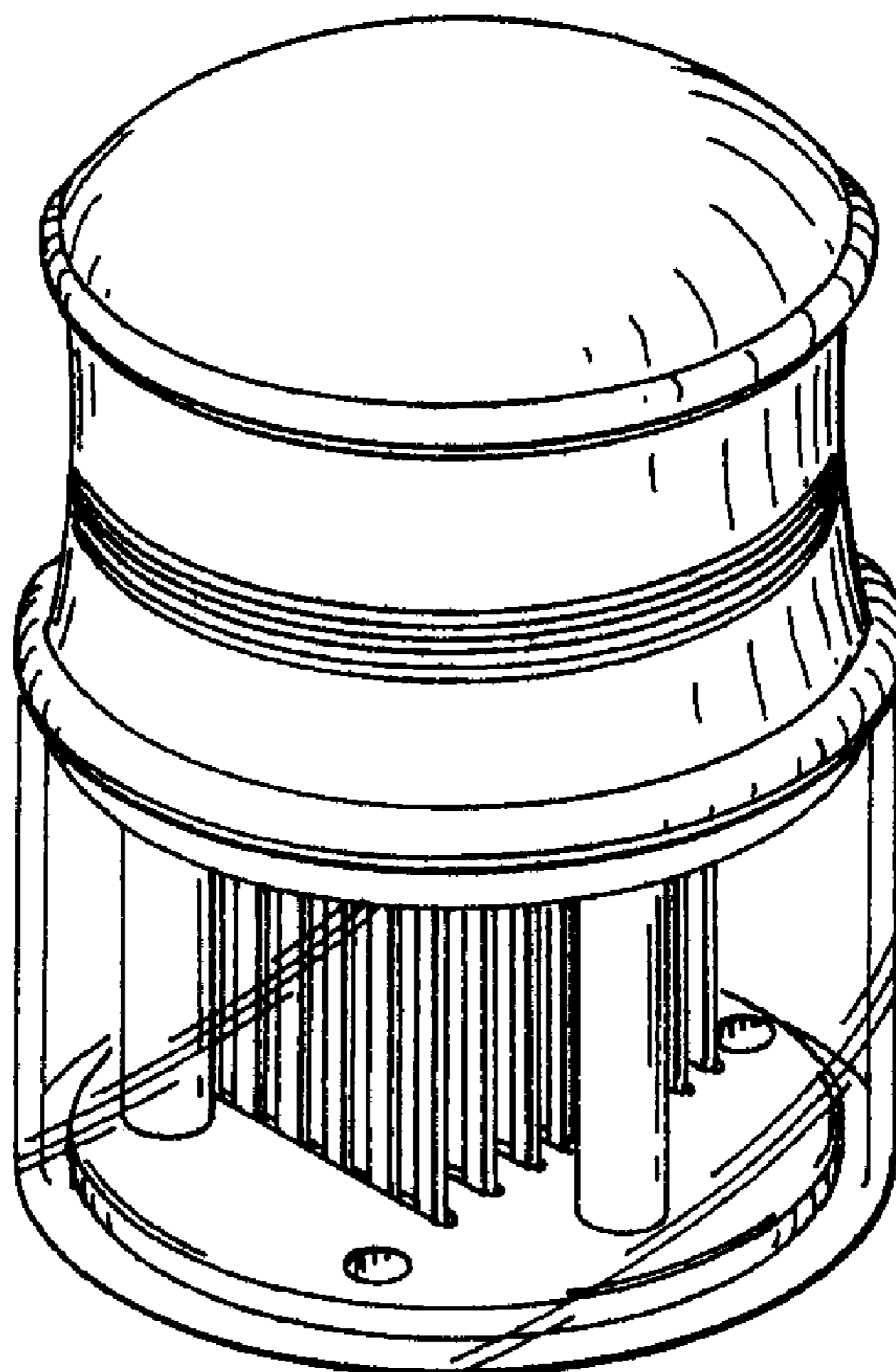


FIG. 1

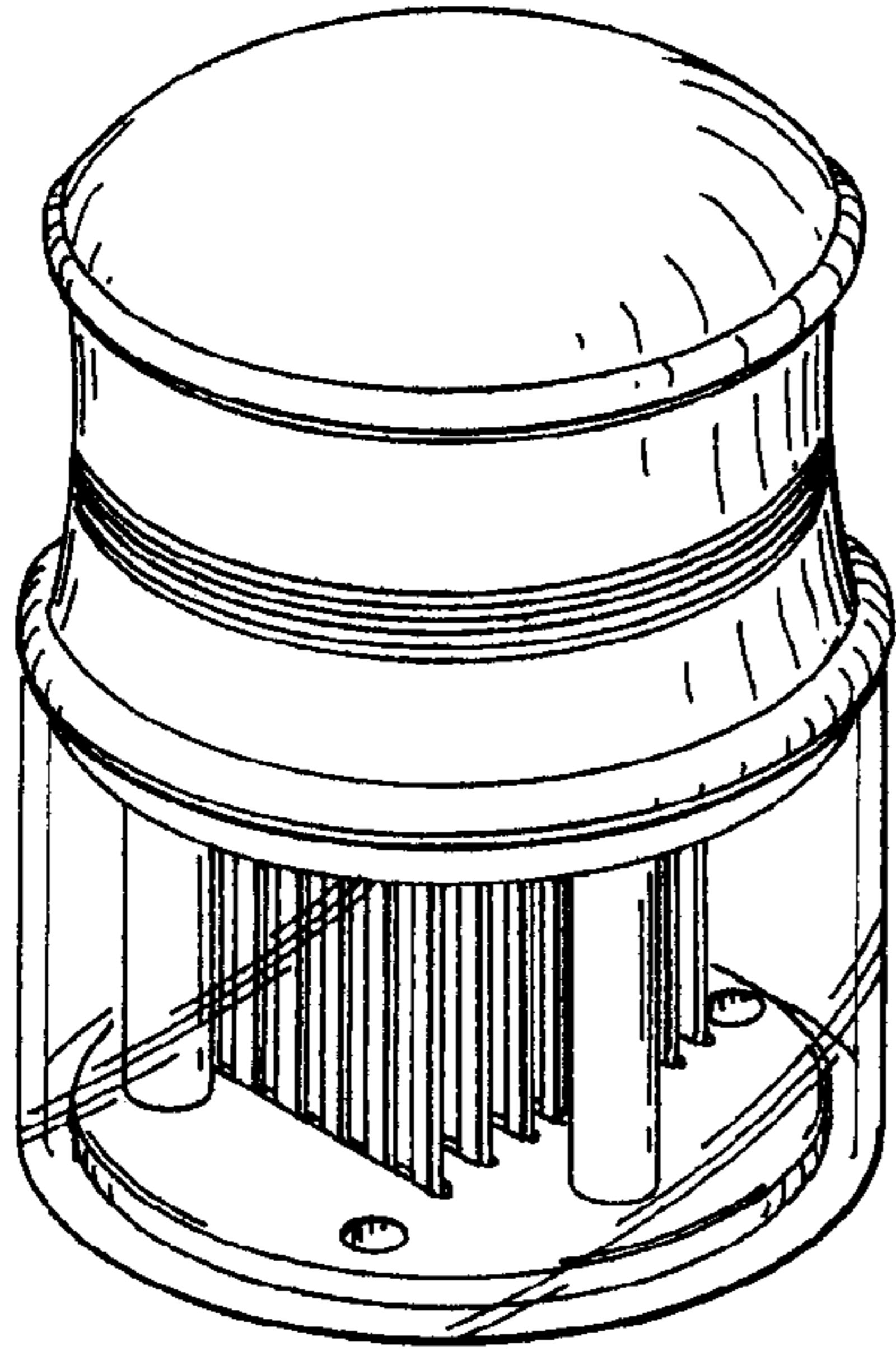


FIG. 2

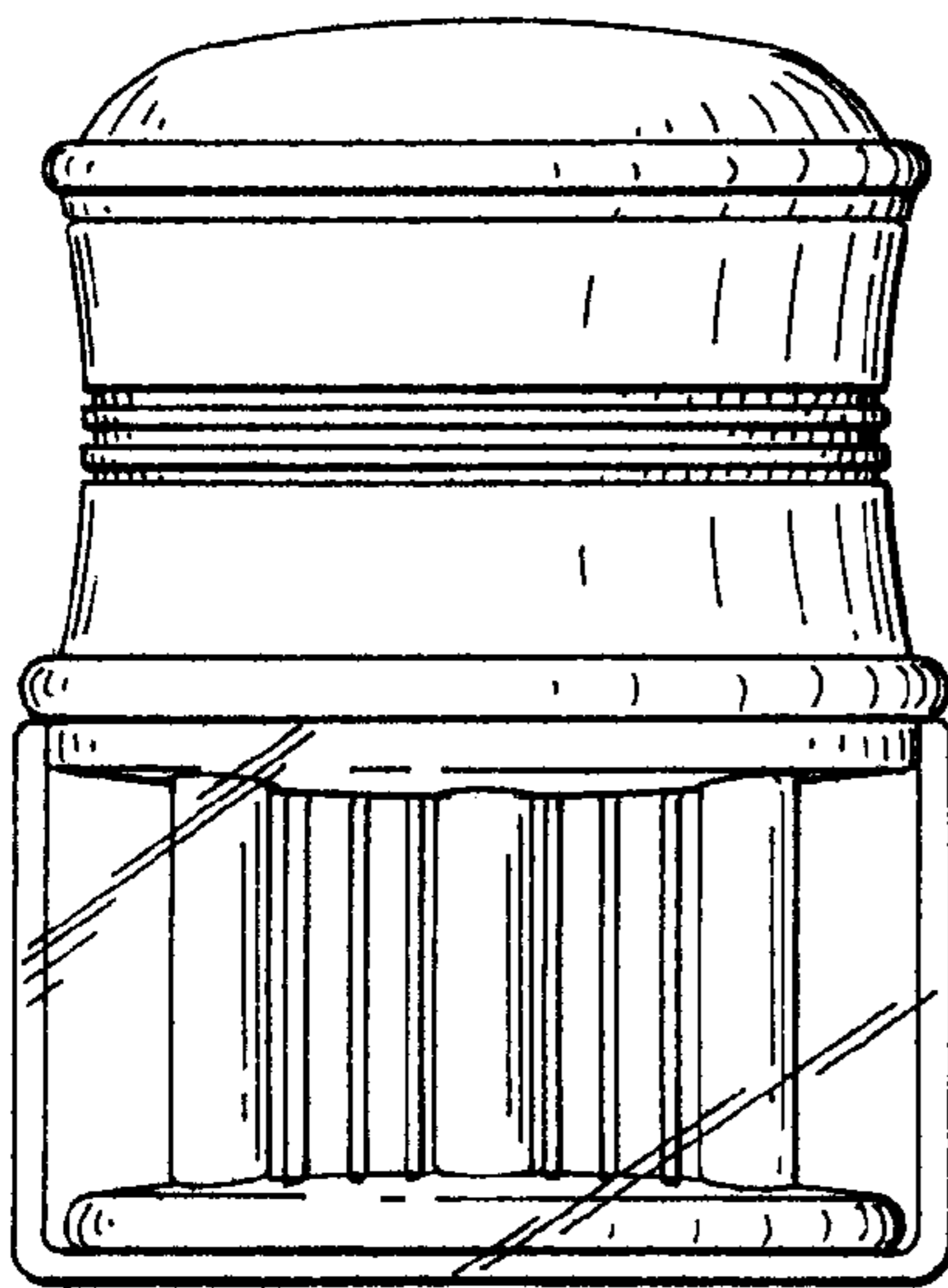
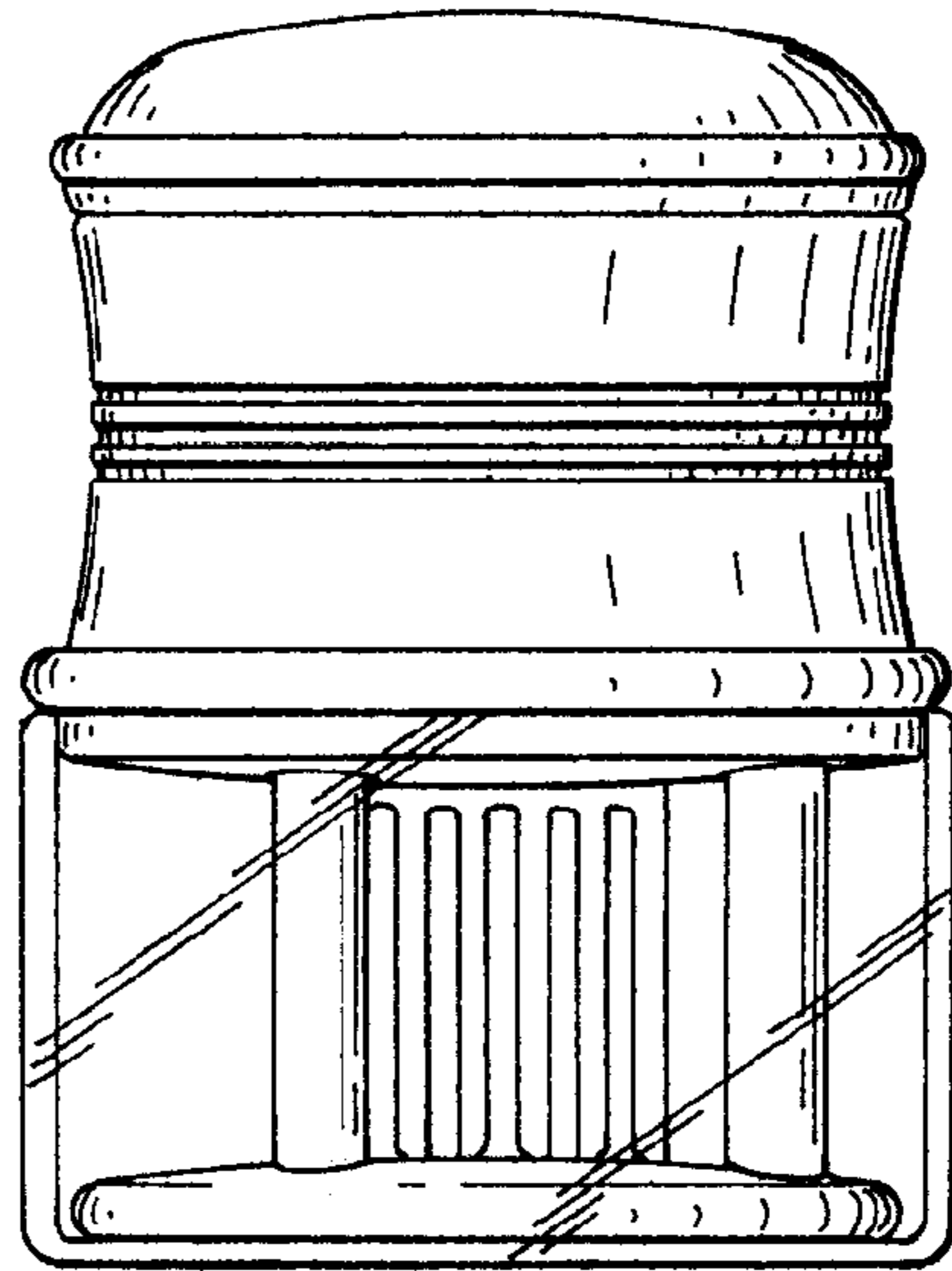


FIG. 4

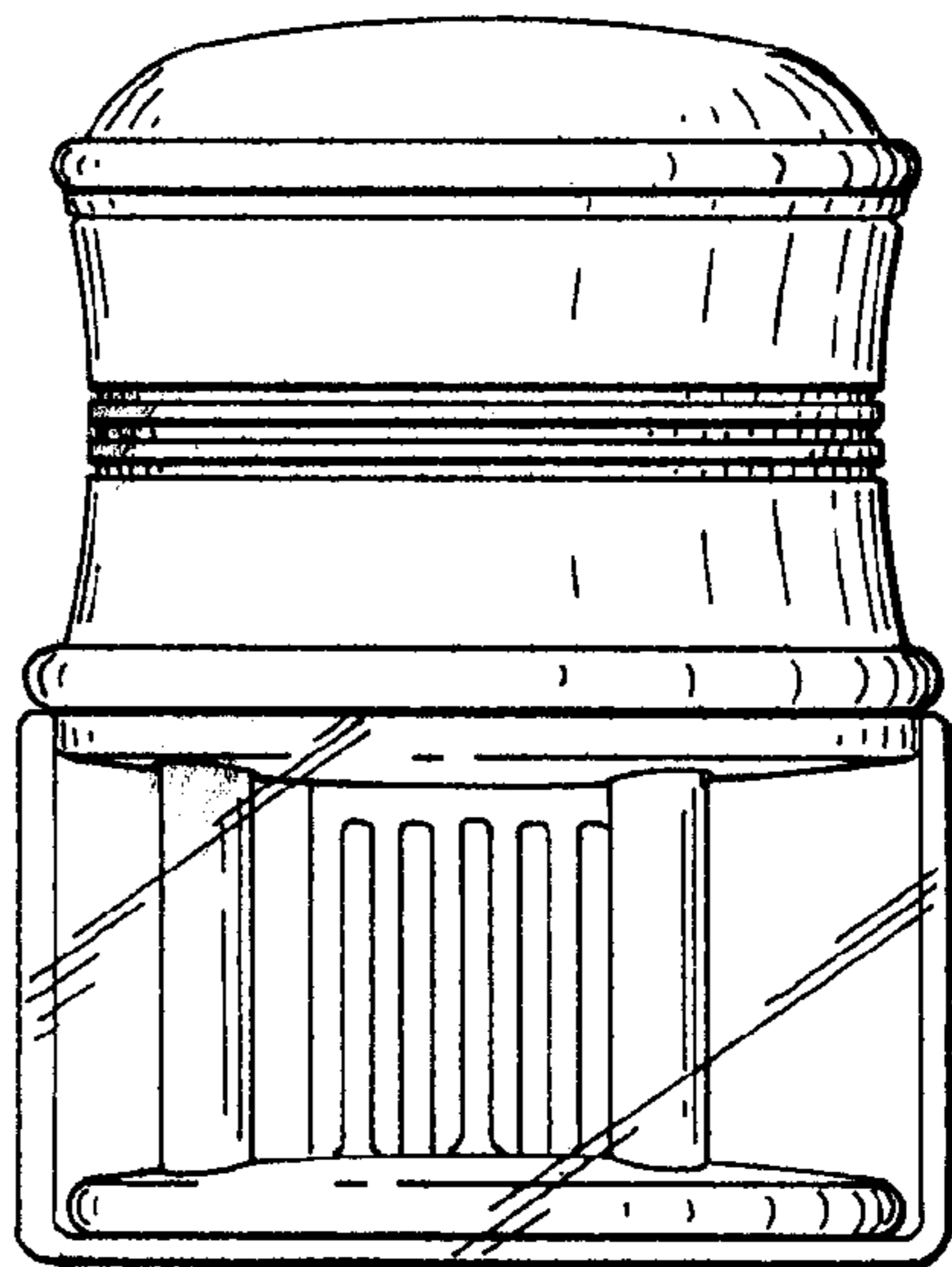


FIG. 3

FIG. 5

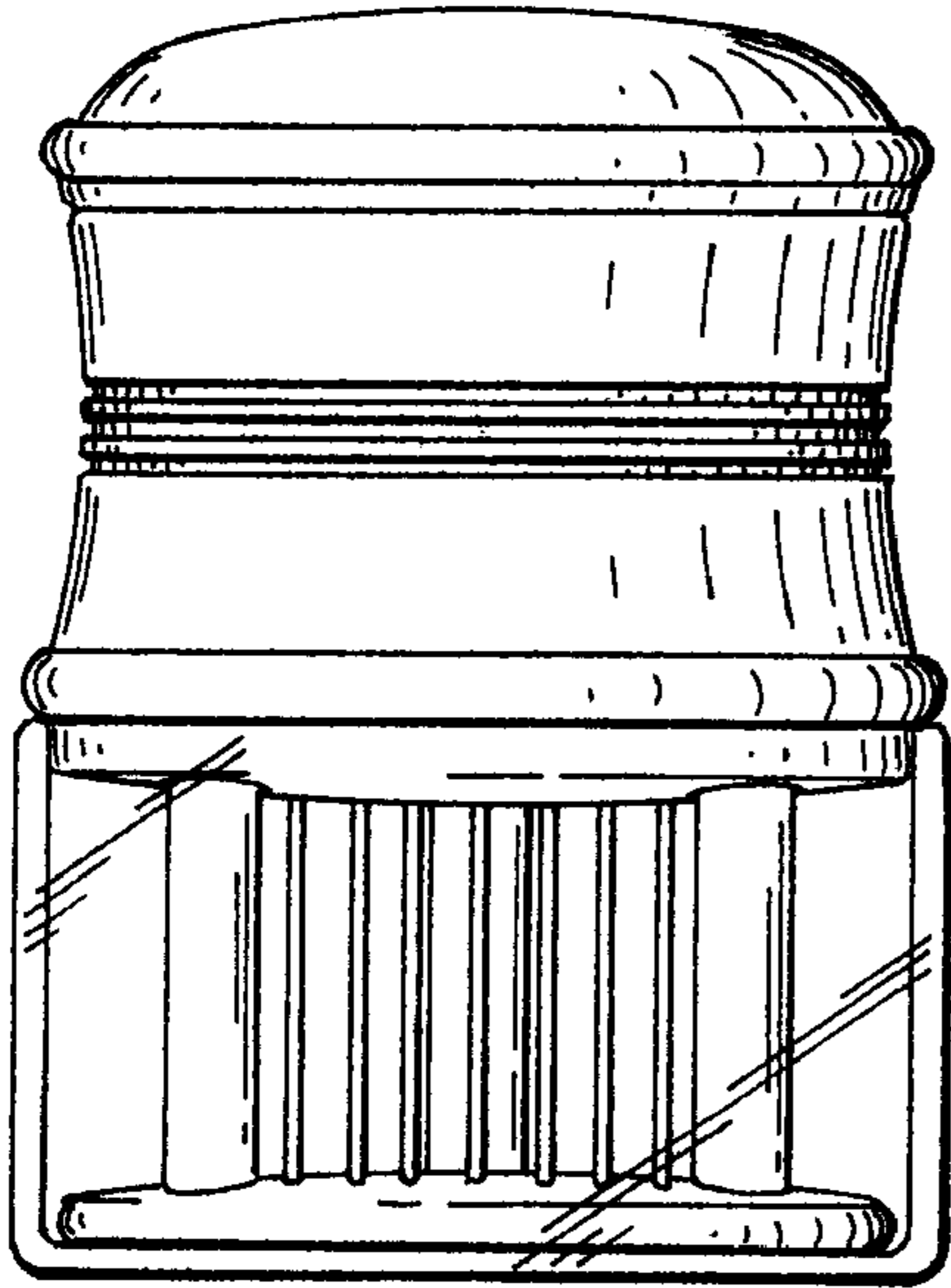


FIG. 6

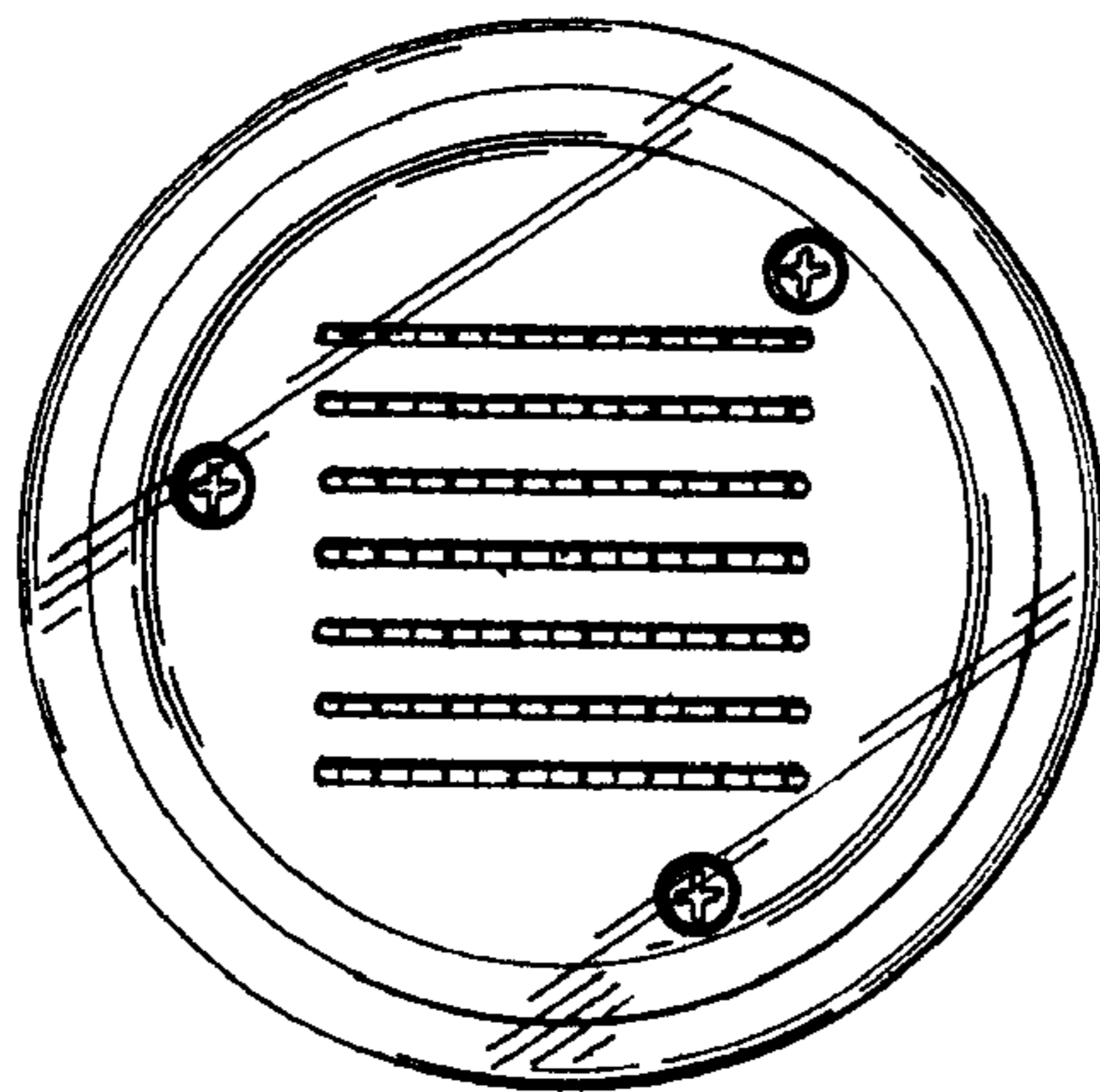
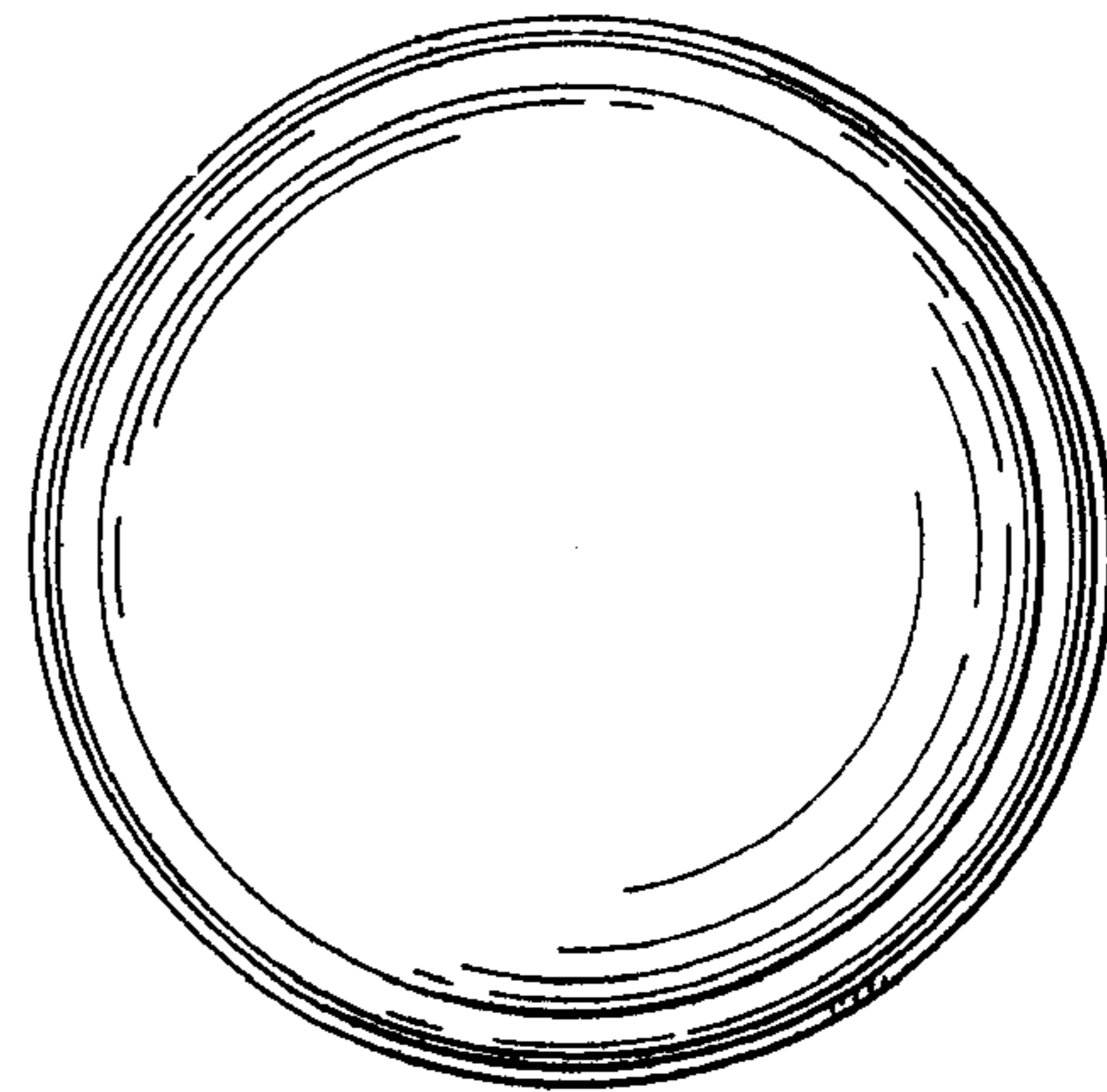


FIG. 7