



US00D545642S

(12) **United States Design Patent**  
**Wong**

(10) **Patent No.:** **US D545,642 S**

(45) **Date of Patent:** **\*\* Jul. 3, 2007**

(54) **SUPER CHOPPER**

6,805,032 B2 \* 10/2004 Engdahl ..... 83/597  
D512,609 S \* 12/2005 Kaposi ..... D7/672

(76) Inventor: **Yan Kwong Wong**, Unit 1016-17, 10/F  
Metro Centre II, 21 Lam Hing Street,  
Kowloon Bay, Kowloon (HK)

\* cited by examiner

(\*\*) Term: **14 Years**

*Primary Examiner*—Terry A. Wallace  
(74) *Attorney, Agent, or Firm*—Law Office of Sergei Orel,  
LLC

(21) Appl. No.: **29/258,165**

(57) **CLAIM**

(22) Filed: **Apr. 18, 2006**

The ornamental design for a super chopper, as shown and  
described.

(30) **Foreign Application Priority Data**

Oct. 19, 2005 (HK) ..... 0502528

**DESCRIPTION**

(51) **LOC (8) Cl.** ..... **07-04**

FIG. 1 is a front view of the super chopper showing my new  
design;

(52) **U.S. Cl.** ..... **D7/674**

(58) **Field of Classification Search** ..... D7/672–674,  
D7/677, 693; 30/279.6, 114–117, 303, 304;  
83/669, 856, 857, 651.1, 662, 597, 167; 241/95,  
241/168, 169, 273.1–273.4, 274, 257.1, 100,  
241/285.2

FIG. 2 is a top view thereof;

FIG. 3 is a rear view thereof;

FIG. 4 is a bottom view thereof;

FIG. 5 is a side view thereof;

See application file for complete search history.

FIG. 6 is a opposite side view thereof;

FIG. 7 is a perspective view thereof;

(56) **References Cited**

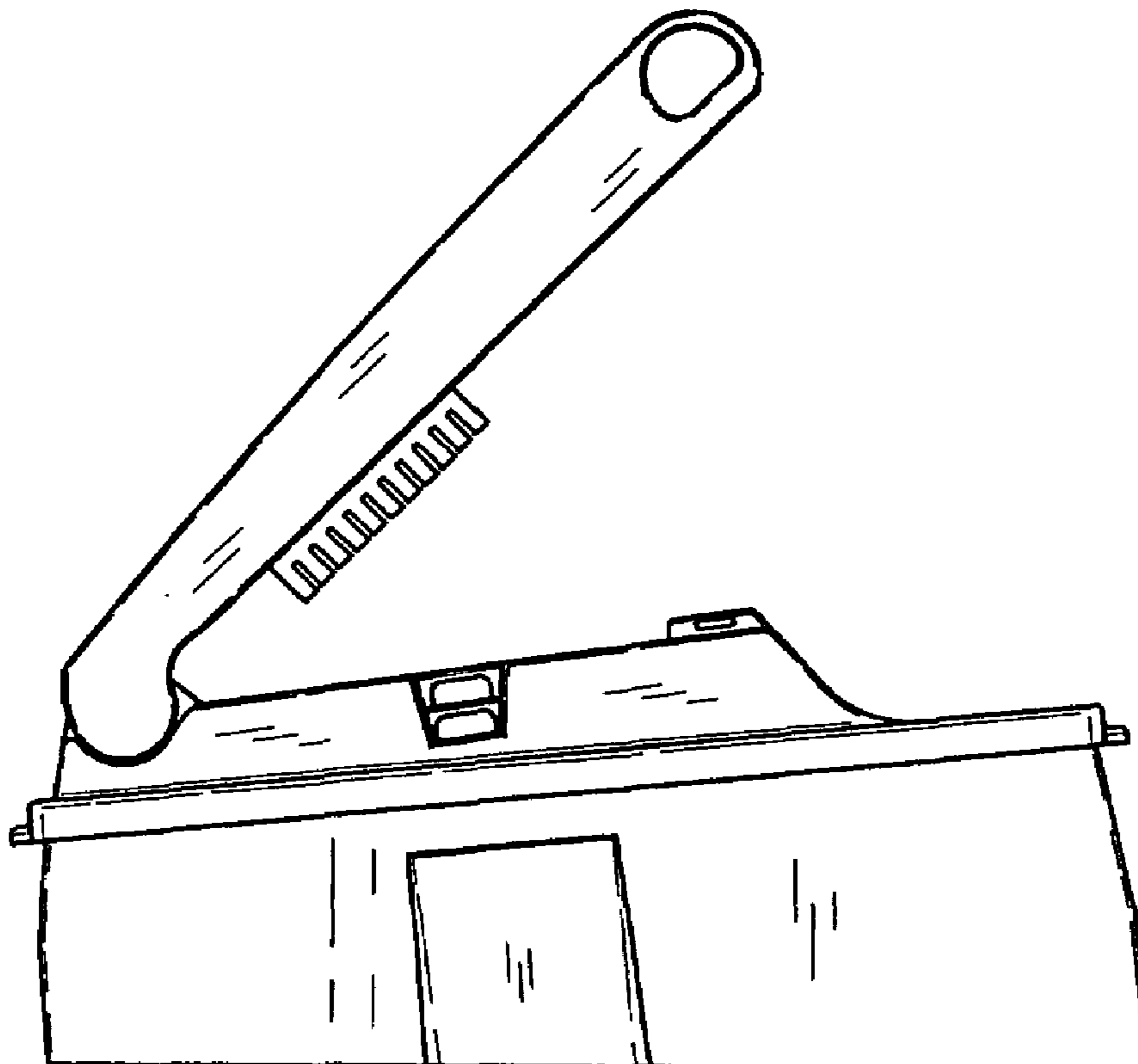
**U.S. PATENT DOCUMENTS**

4,513,501 A \* 4/1985 Lee ..... 30/115  
4,697,488 A \* 10/1987 Cole ..... 83/437.2  
5,692,424 A \* 12/1997 Wallace ..... 83/167  
D443,800 S \* 6/2001 Weterrings ..... D7/670

FIG. 8 is a perspective view in alternative position 1 thereof;  
and,

FIG. 9 is a perspective view in alternative position 2 thereof.

**1 Claim, 5 Drawing Sheets**



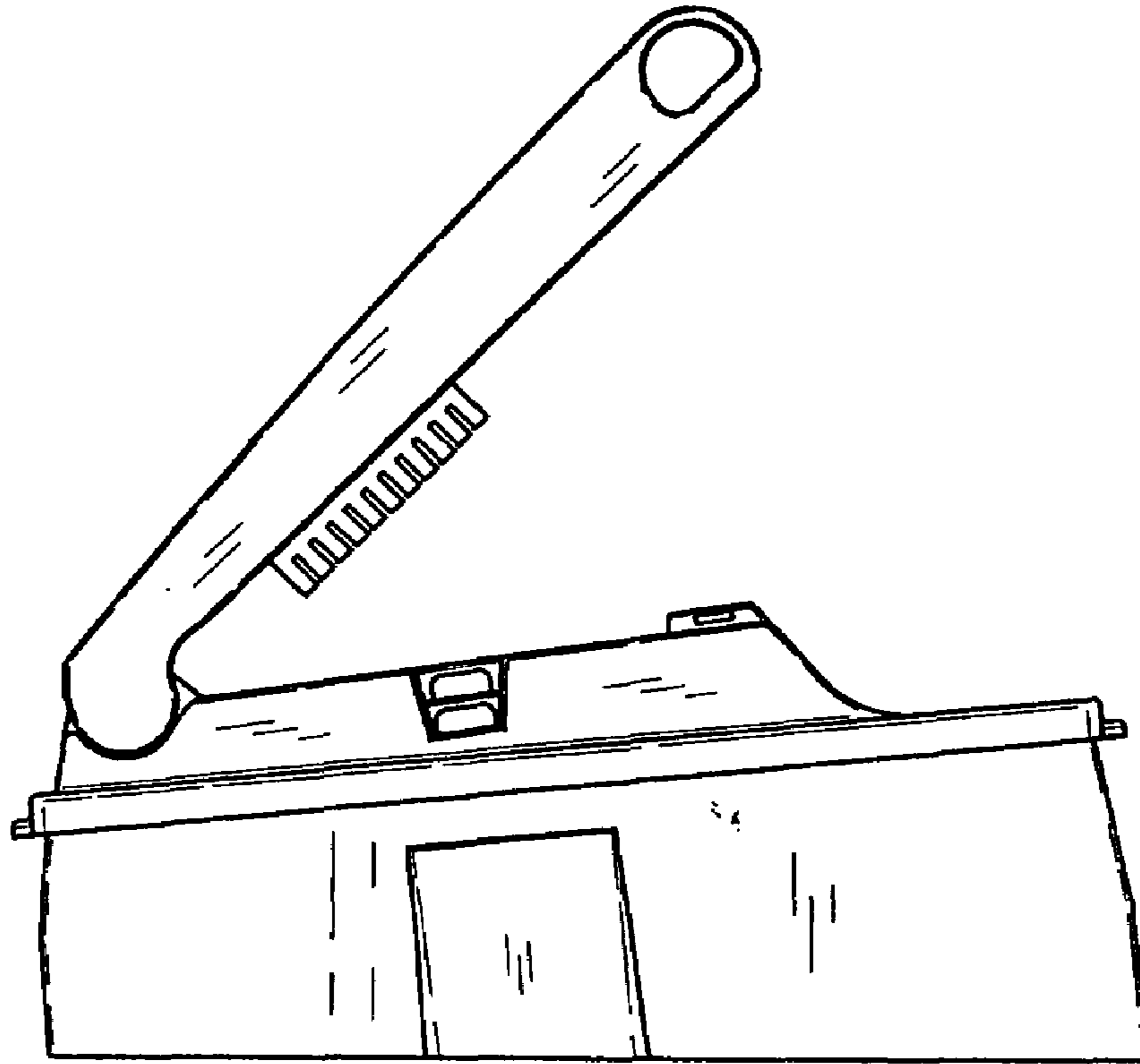


Fig.1

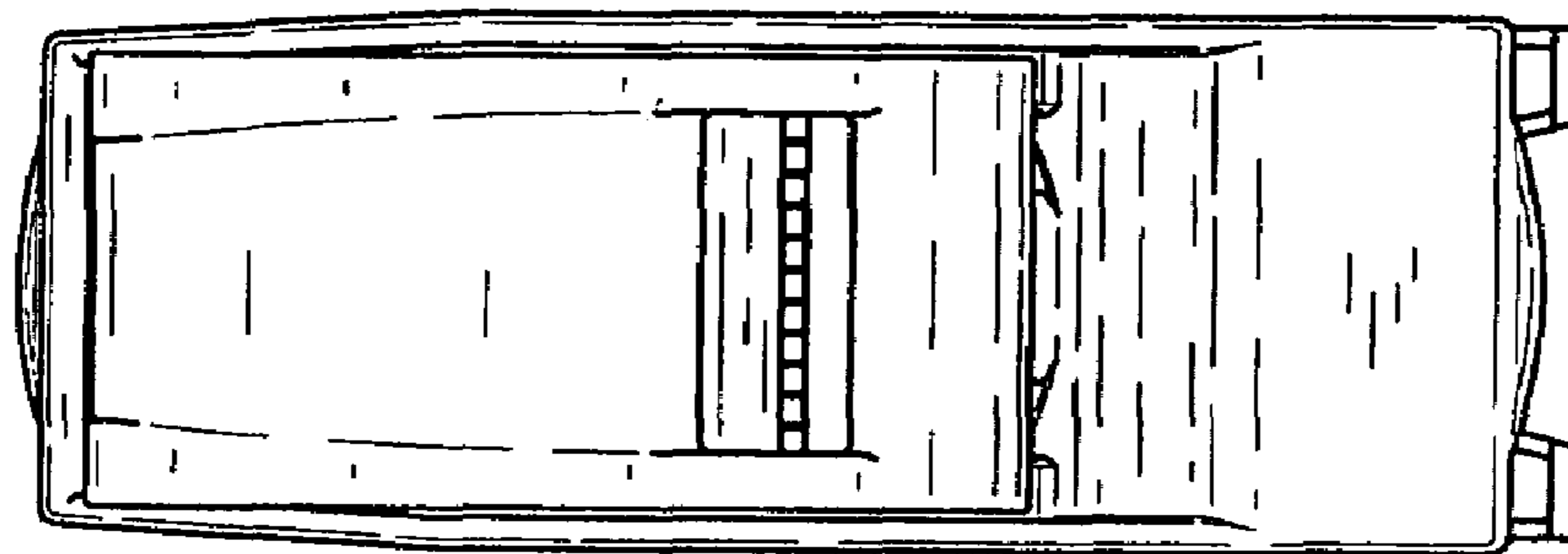


Fig.2

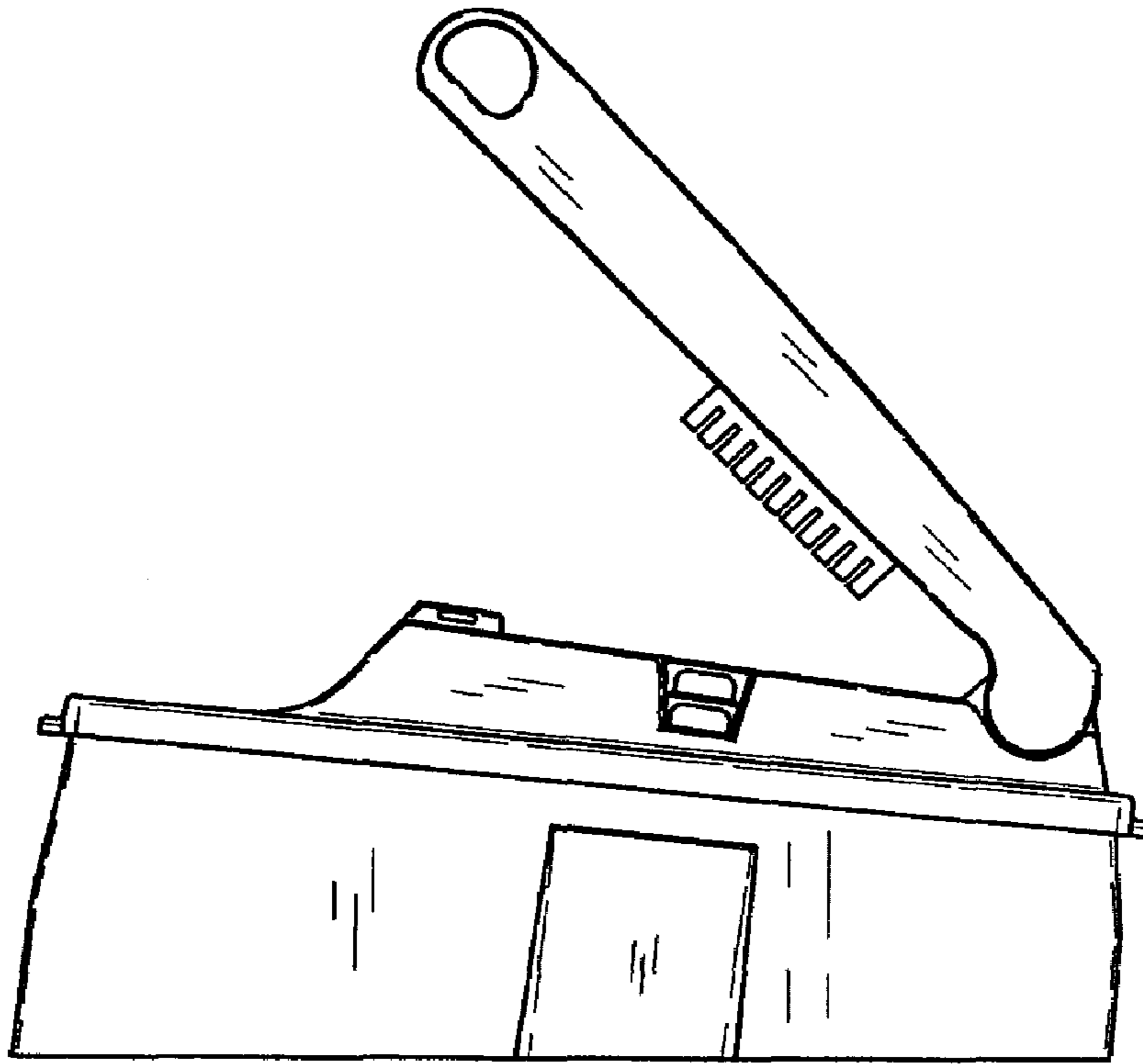


Fig.3

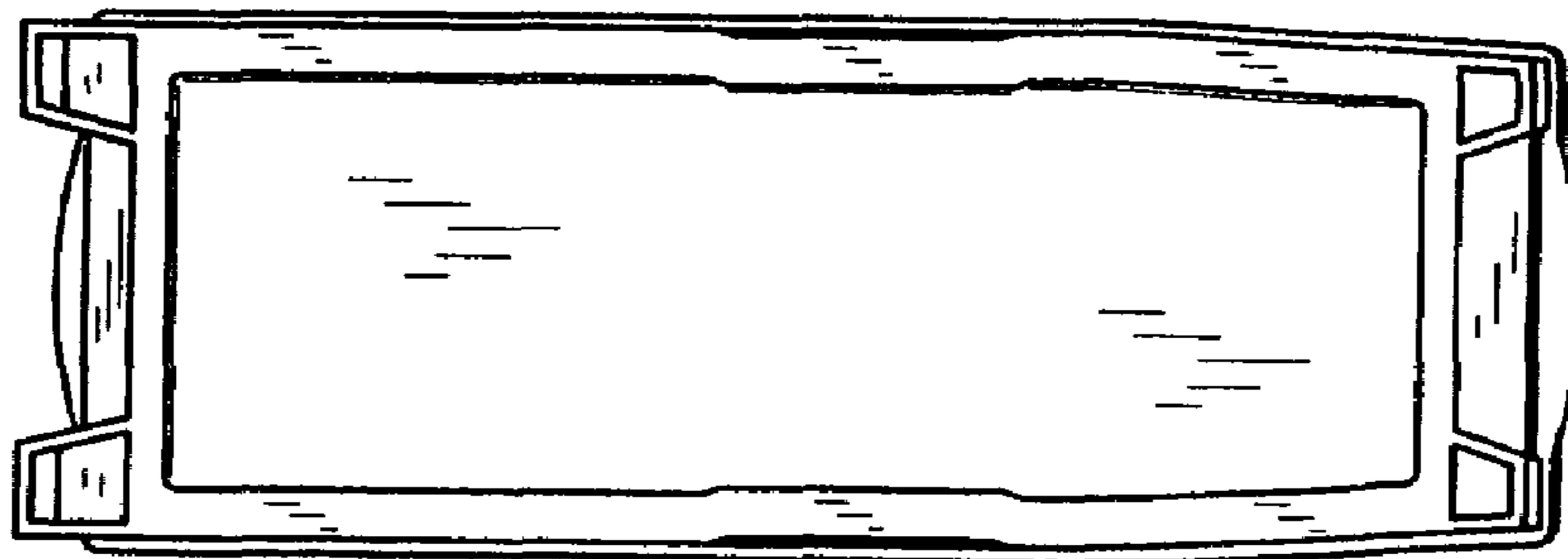


Fig.4

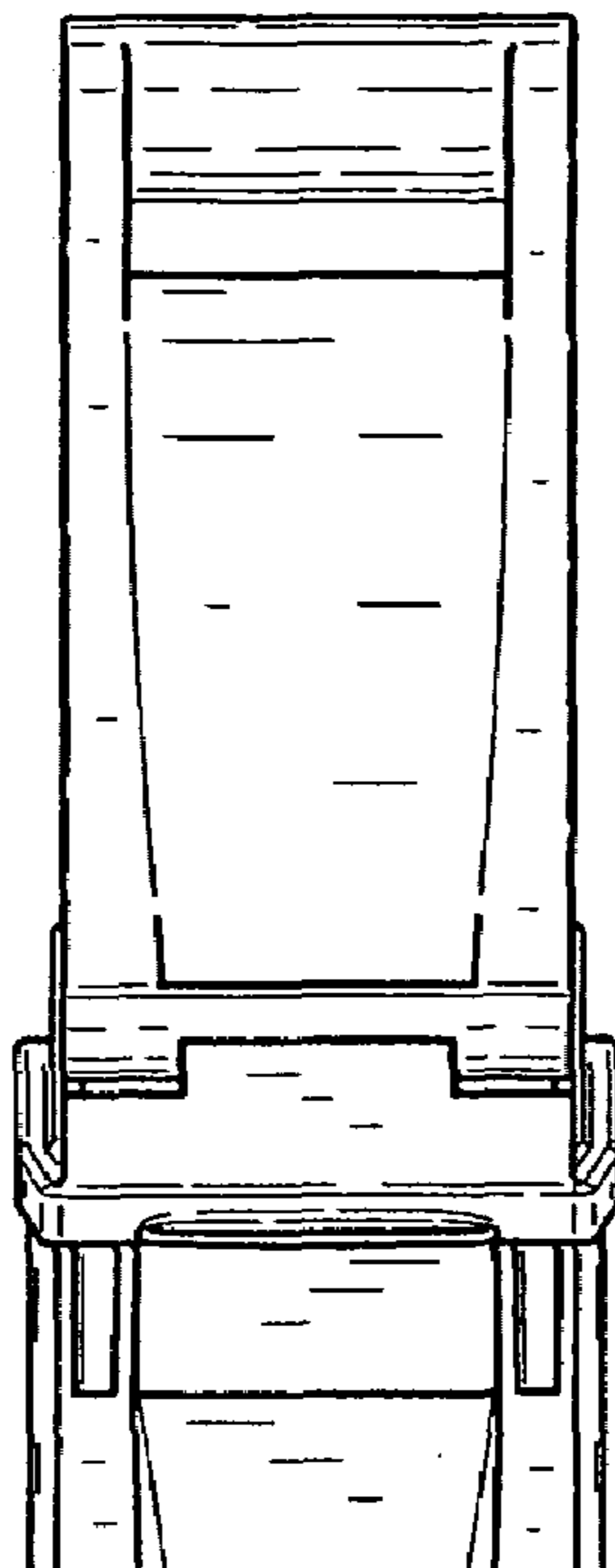


Fig.5

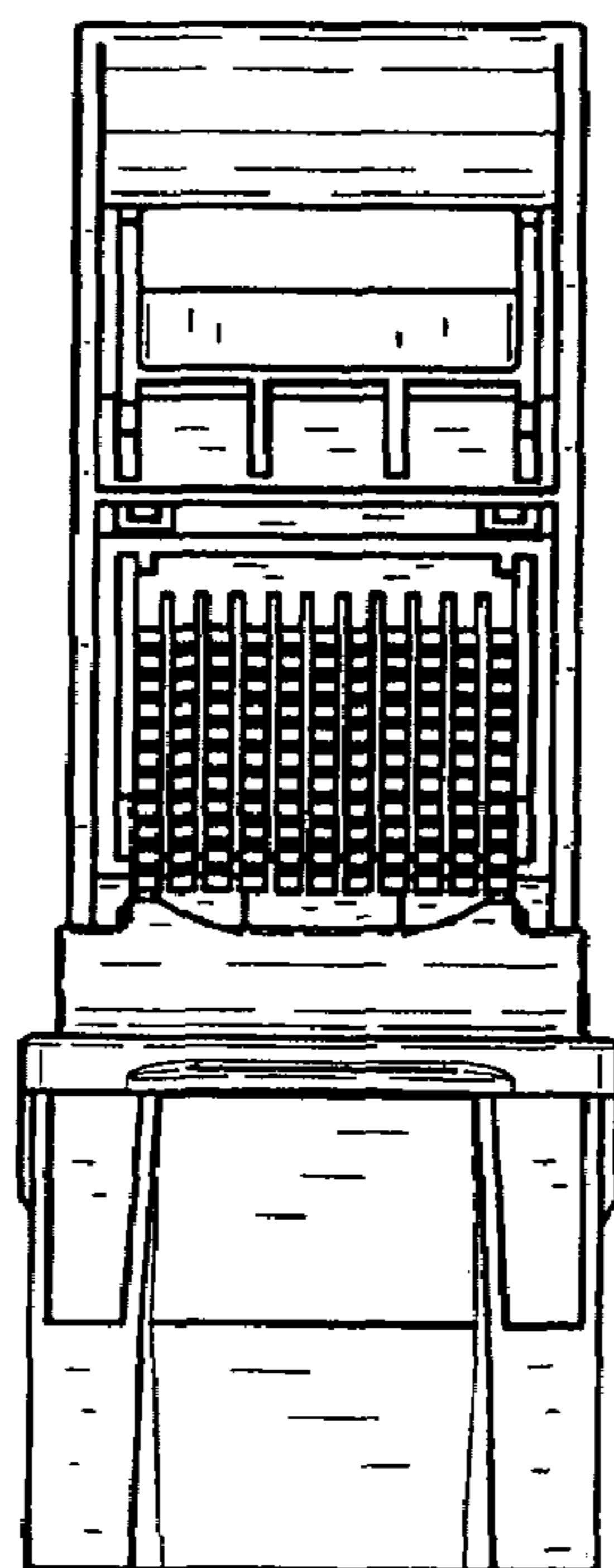


Fig.6

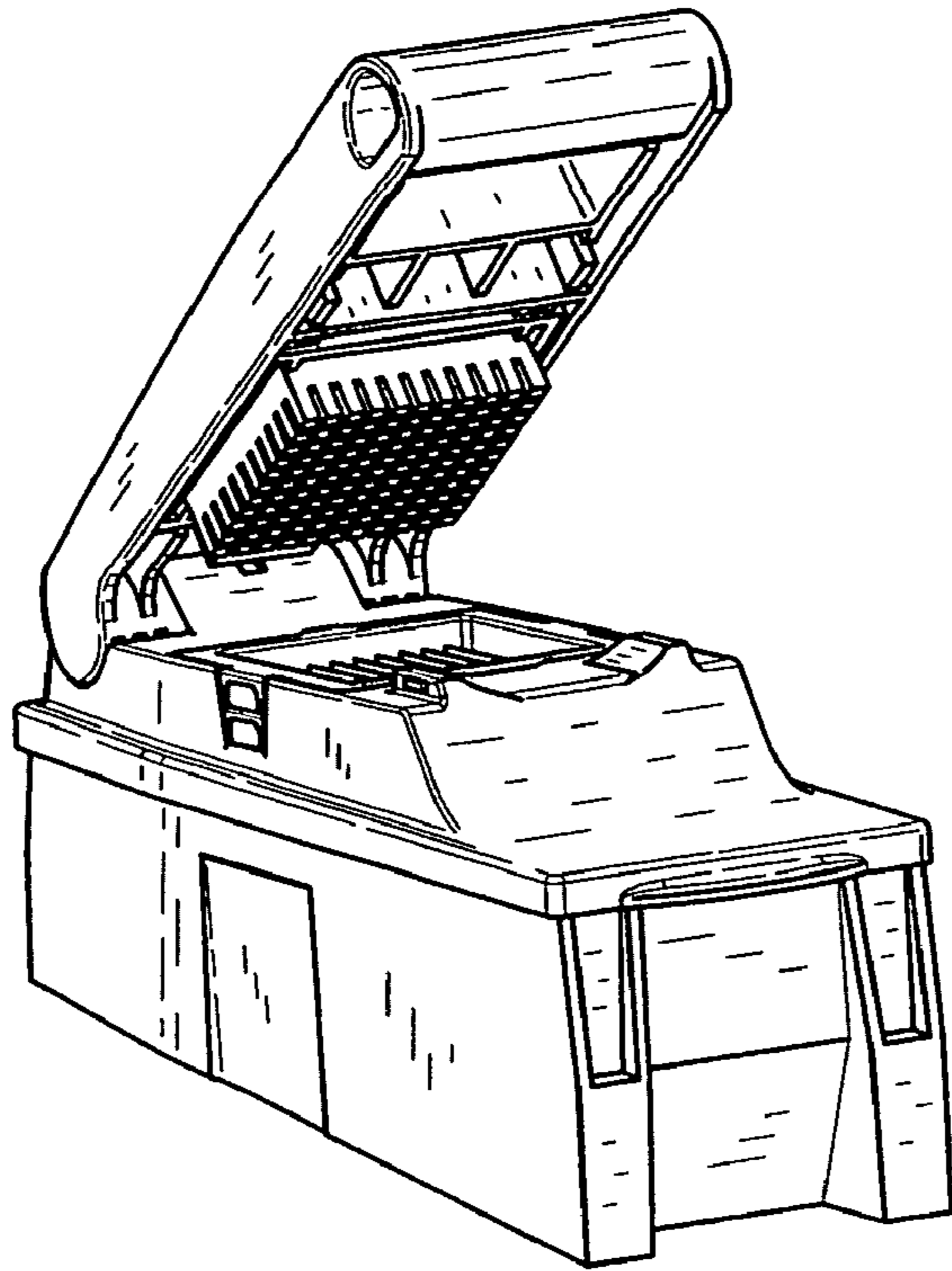


Fig.7

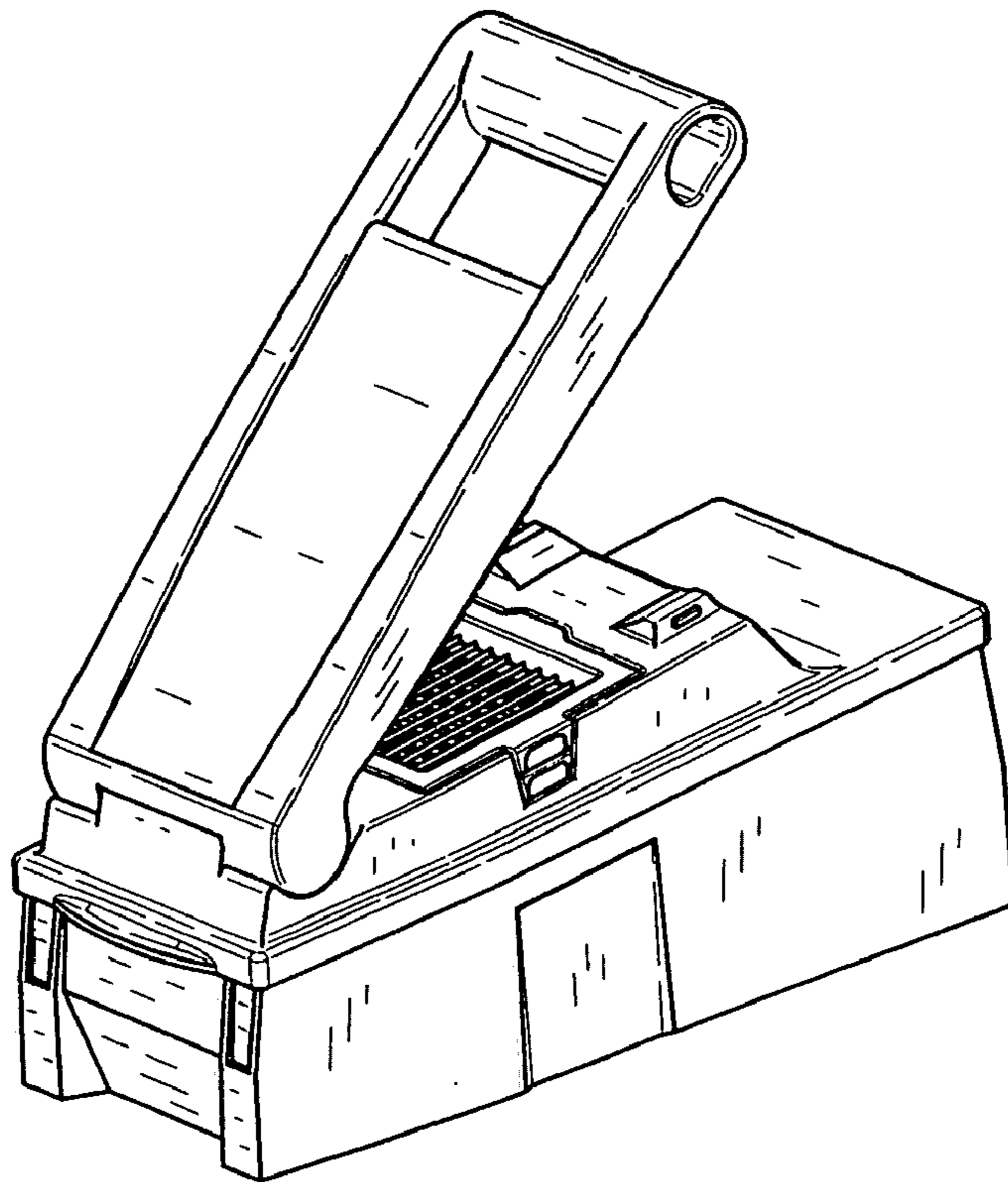


Fig.8

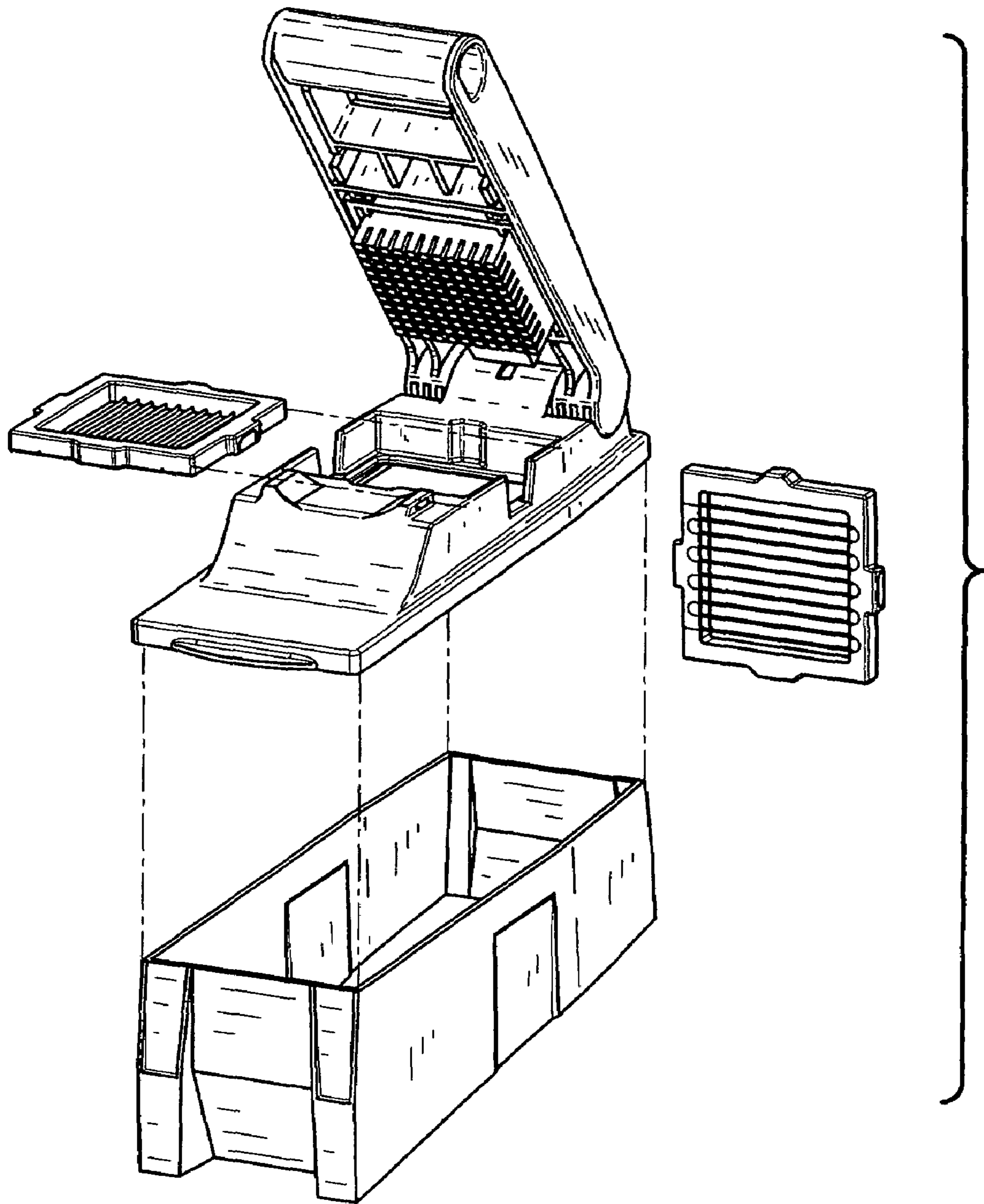


Fig.9