



US00D545639S

(12) **United States Design Patent**
Shane-Schuldt

(10) **Patent No.:** **US D545,639 S**
(45) **Date of Patent:** **** Jul. 3, 2007**

(54) **SPOON**

(75) Inventor: **Diane Shane-Schuldt**, Sherrill, NY
(US)

(73) Assignee: **Oneida, Ltd.**, Oneida, NY (US)

(**) Term: **14 Years**

(21) Appl. No.: **29/262,843**

(22) Filed: **Jul. 12, 2006**

(51) **LOC (8) Cl.** **07-03**

(52) **U.S. Cl.** **D7/653**

(58) **Field of Classification Search** D7/368,
D7/401.2, 642-664, 688-692, 669, 675, 676,
D7/683; 30/137, 141, 142, 340, 147-150,
30/322-329, 342-345; 416/70 R
See application file for complete search history.

(56) **References Cited**

U.S. PATENT DOCUMENTS

D2,212 S *	10/1865	Polhamus	D7/662
D50,292 S *	2/1917	Ball	D7/653
D50,474 S *	3/1917	Jacoby	D7/653
D140,263 S *	2/1945	Farber	D7/663
D145,144 S *	7/1946	Price	D7/653
D153,616 S *	5/1949	Mercer	D7/664

D248,009 S *	5/1978	Cannon et al.	D7/664
D299,899 S *	2/1989	Liebmann	D7/653
D340,842 S *	11/1993	Richmond	D7/653
D347,770 S *	6/1994	Gong	D7/653
D431,759 S *	10/2000	Junko	D7/653
D474,079 S *	5/2003	Hanners et al.	D7/645

* cited by examiner

Primary Examiner—Cathron C. Brooks

Assistant Examiner—Ricky Pham

(74) *Attorney, Agent, or Firm*—Marjama & Bilinski LLP

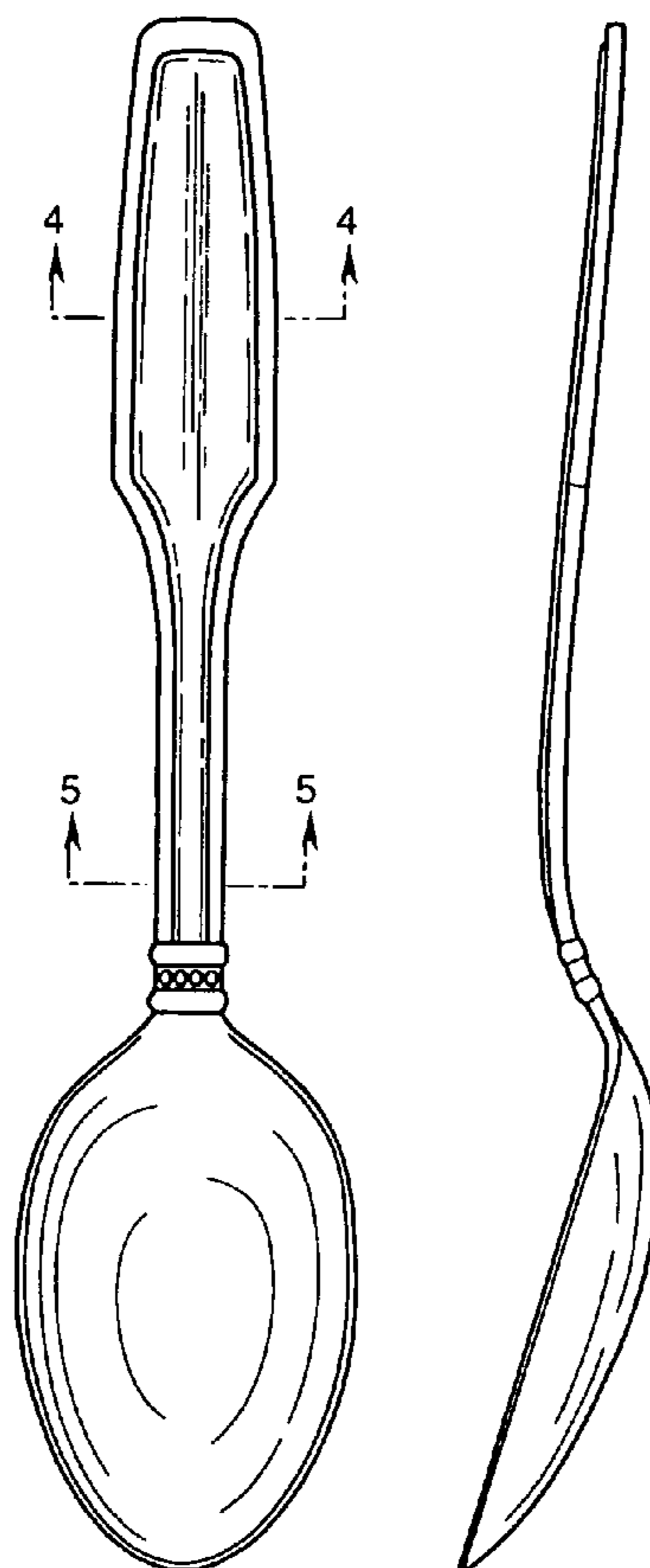
(57) **CLAIM**

The ornamental design for a spoon, as shown and described.

DESCRIPTION

FIG. 1 is a top view of a spoon, illustrating my new Design;
FIG. 2 is a right side view thereof; the left side view being
a mirror image;
FIG. 3 is a bottom view thereof;
FIG. 4 is a cross-sectional view taken through line 4-4 of
FIG. 1; and,
FIG. 5 is a cross-sectional view taken through line 5-5 of
FIG. 1.

1 Claim, 1 Drawing Sheet



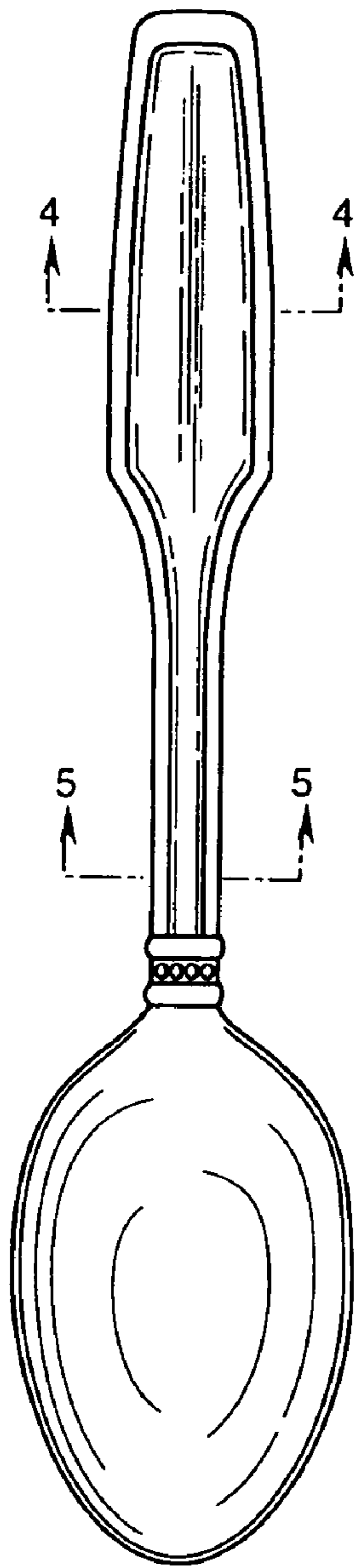


Fig. 1

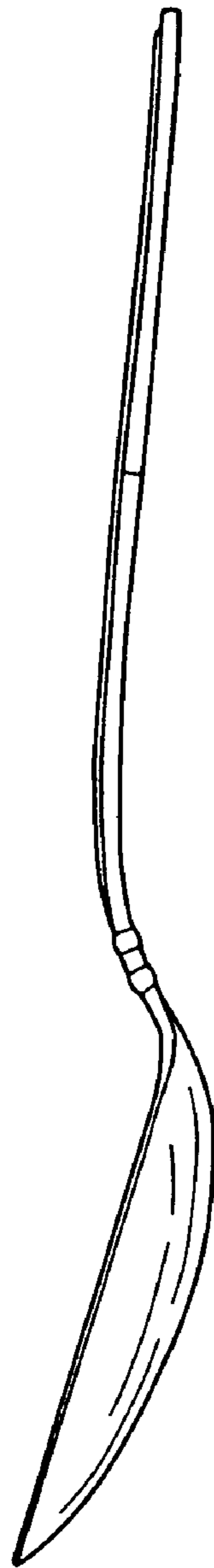


Fig. 2

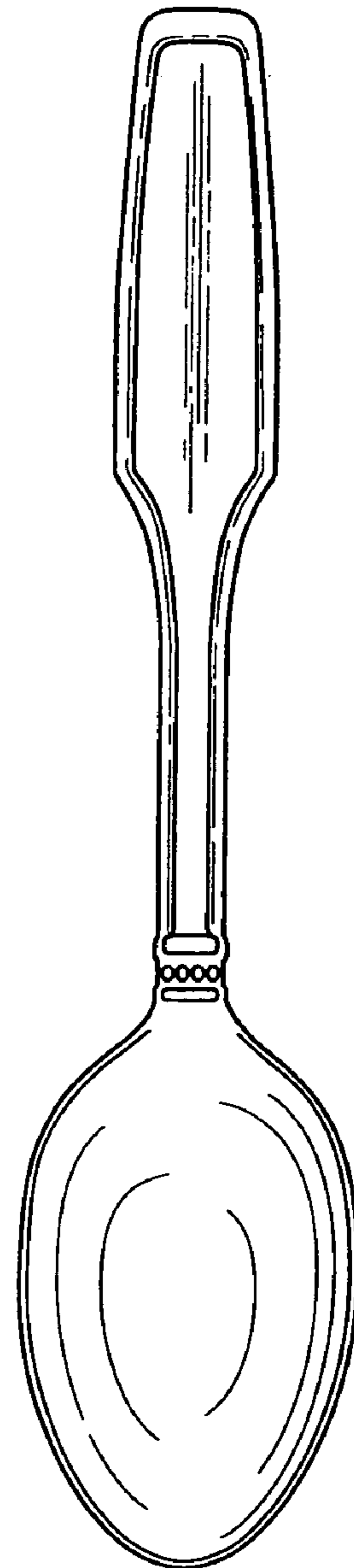


Fig. 3



Fig. 4



Fig. 5