

US00D545637S

(12) **United States Design Patent**
Curtin

(10) **Patent No.:** **US D545,637 S**

(45) **Date of Patent:** **** Jul. 3, 2007**

(54) **LETTUCE KNIFE**

(75) Inventor: **Heather Curtin**, Renton, WA (US)

(73) Assignee: **Progressive International Corporation**, Kent, WA (US)

(**) Term: **14 Years**

(21) Appl. No.: **29/248,440**

(22) Filed: **Aug. 16, 2006**

(51) **LOC (8) Cl.** **07-03**

(52) **U.S. Cl.** **D7/650**

(58) **Field of Classification Search** D4/138;
D7/393, 395, 401.2, 642-646, 649-653, 662-664,
D7/688, 695-696; D8/10, 36, 75, 80, 83,
D8/87, 98, 99, 102, 107, 300, 303; D18/34.9;
D22/118; 30/123.5-123.7, 124-125, 128,
30/142-143, 147-149, 169, 304, 316, 329,
30/340, 342-346, 353, 355, 394

See application file for complete search history.

(56) **References Cited**

U.S. PATENT DOCUMENTS

495,110 A * 4/1893 Hayes et al. 30/355
D24,386 S * 6/1895 Christy D7/650
D180,760 S 8/1957 Baer
D192,961 S 6/1962 Baer
D269,244 S * 6/1983 Becher et al. D7/650

D303,603 S * 9/1989 Zimmerman D7/650
D315,660 S * 3/1991 Hahn D7/650
D324,326 S * 3/1992 Lu D7/650
D403,559 S 1/1999 Terenzio
6,044,566 A 4/2000 Ries et al.
D468,973 S * 1/2003 Sun D7/650
D499,943 S * 12/2004 Malvoisin et al. D7/696
D500,233 S * 12/2004 Overthun D7/650
D513,927 S * 1/2006 Chen D7/395

* cited by examiner

Primary Examiner—Cathron C. Brooks

Assistant Examiner—Ricky Pham

(74) *Attorney, Agent, or Firm*—Black Lowe & Graham, PLLC

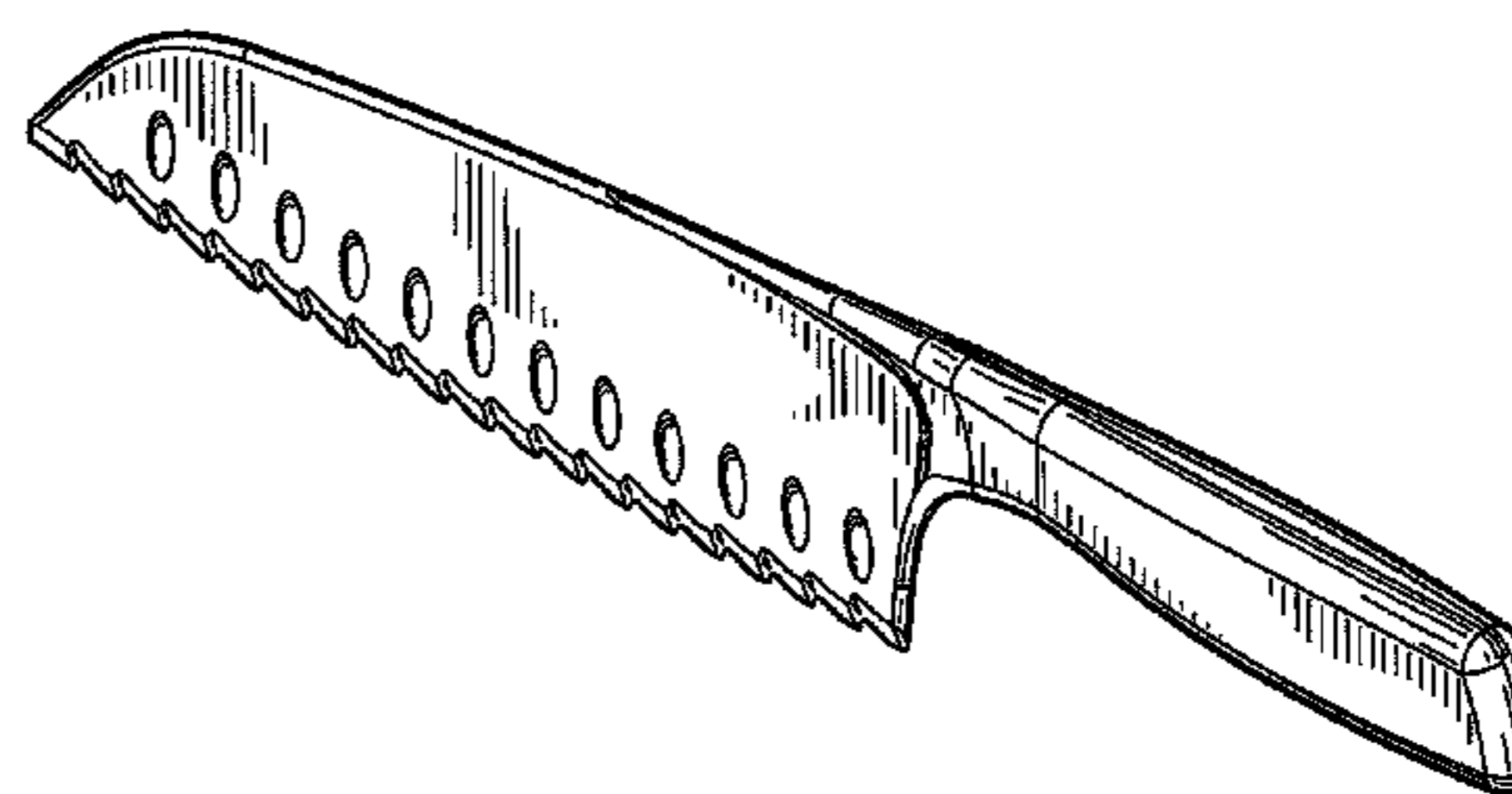
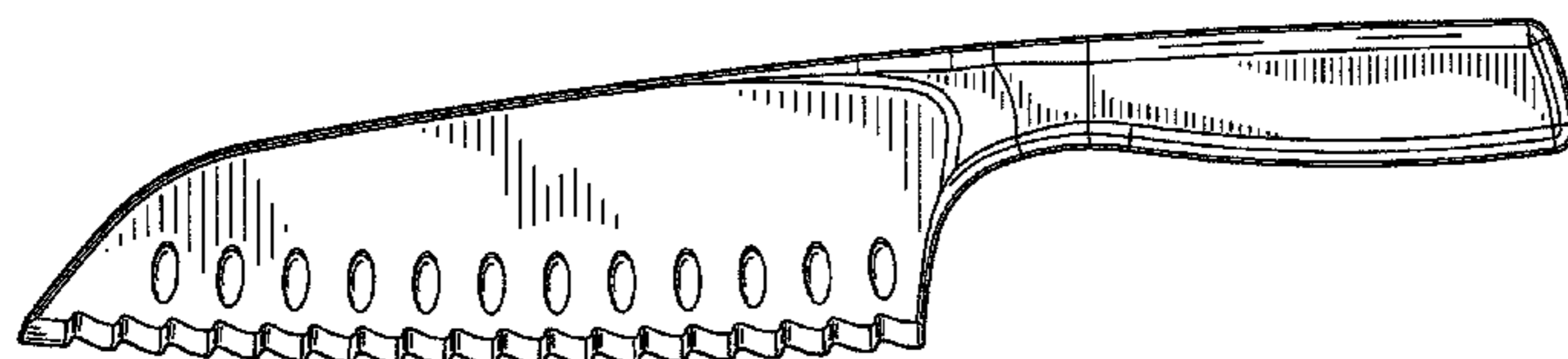
(57) **CLAIM**

I claim the ornamental design for the lettuce knife, as shown.

DESCRIPTION

FIG. 1 is a front view of the lettuce knife;
FIG. 2 is a top view of the lettuce knife;
FIG. 3 is a bottom view of the lettuce knife;
FIG. 4 is a back view of the lettuce knife;
FIG. 5 is a left side view of the lettuce knife;
FIG. 6 is a right side view of the lettuce knife; and,
FIG. 7 is a perspective view of the lettuce knife.

1 Claim, 3 Drawing Sheets



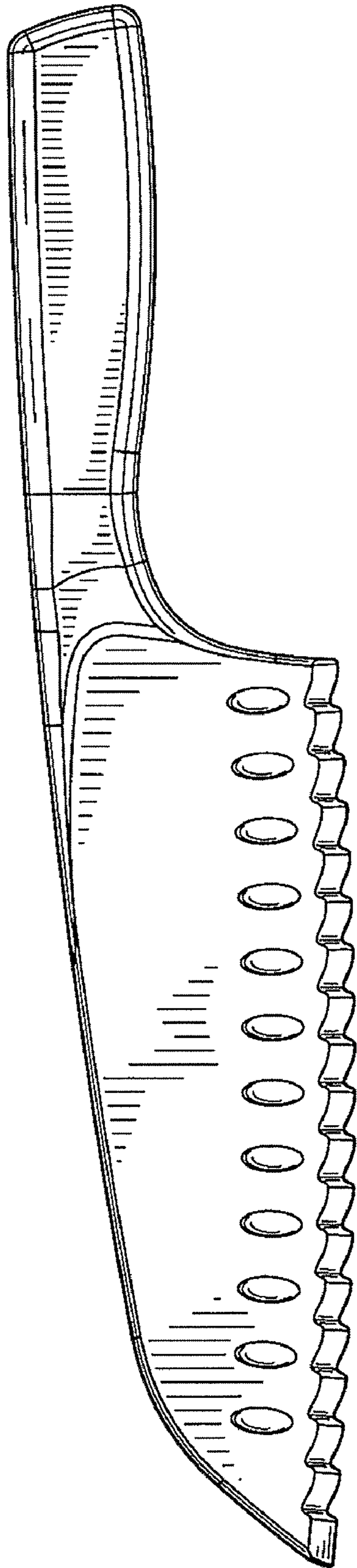


FIG. 1



FIG. 2

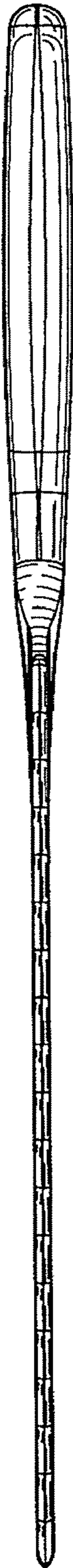


FIG. 3

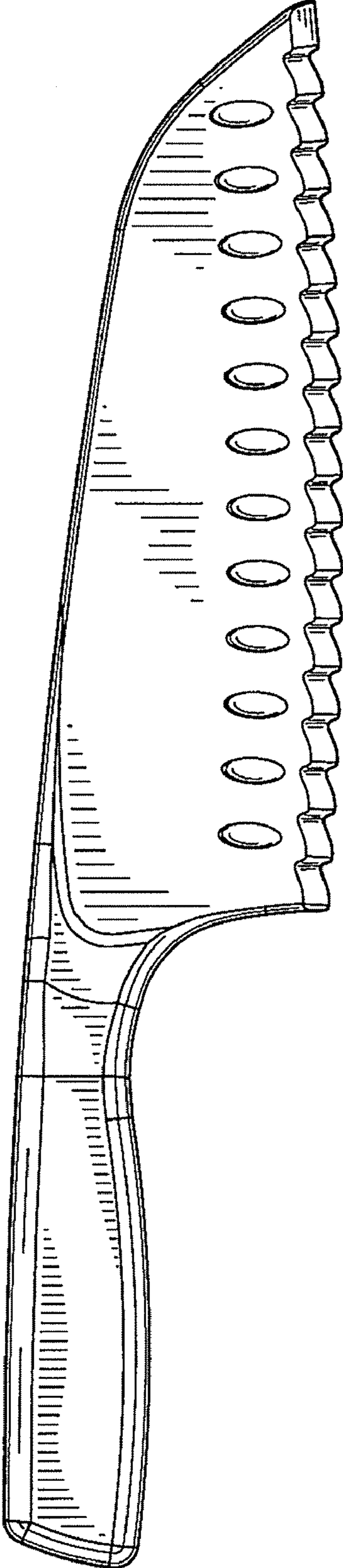


FIG. 4



FIG. 5

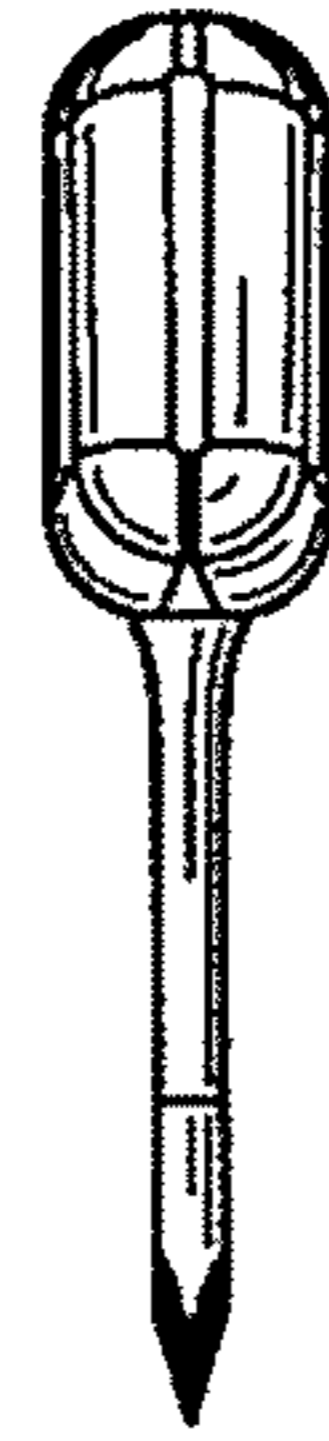


FIG. 6

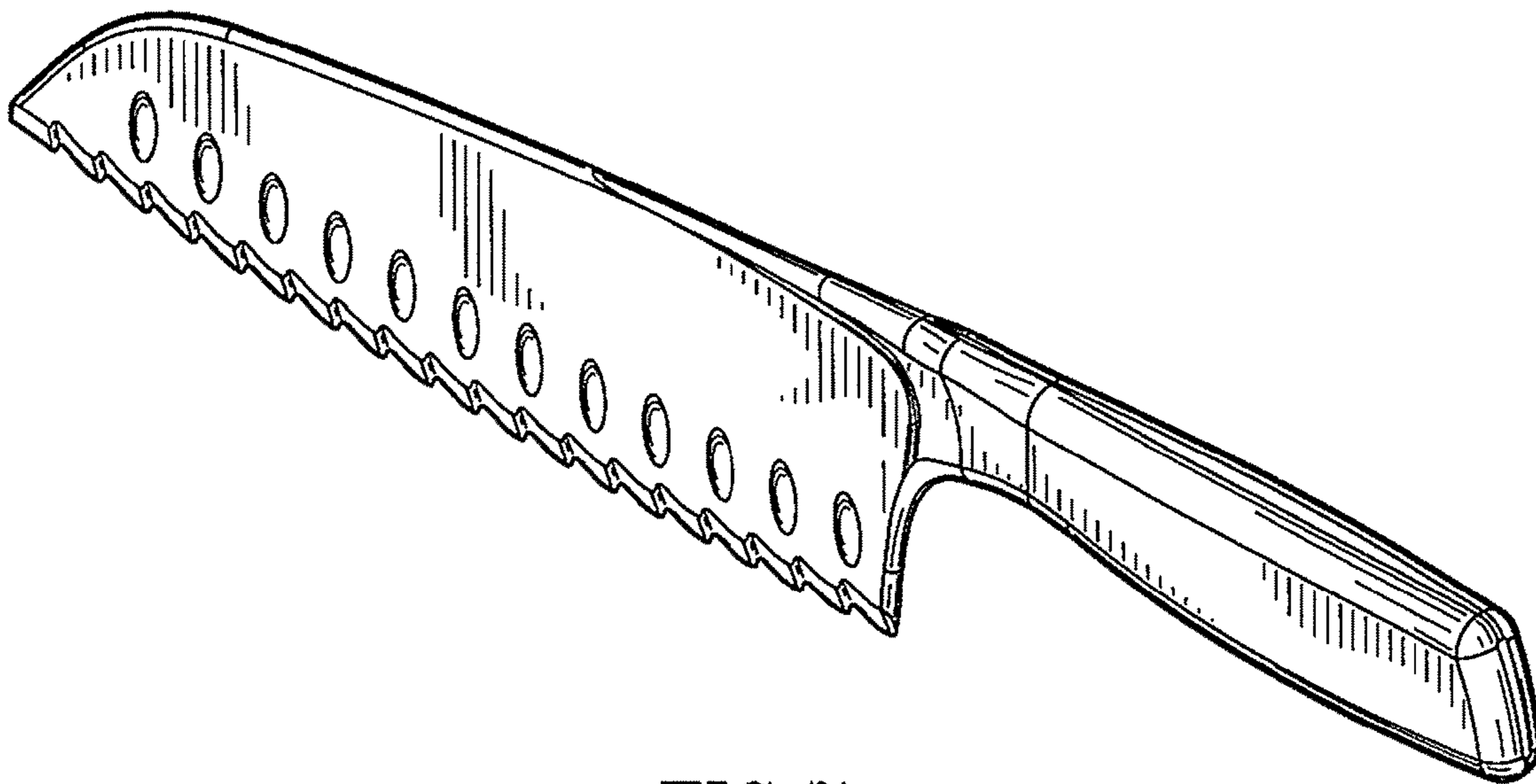


FIG. 7