

US00D545635S

(12) **United States Design Patent**
Dorfman

(10) **Patent No.:** **US D545,635 S**
(45) **Date of Patent:** **** Jul. 3, 2007**

(54) **EATING UTENSIL**

D515,369 S * 2/2006 Bertulis D7/686

(76) Inventor: **Lisa Dorfman**, 6421 SW. 109th St.,
Miami, FL (US) 33156

FOREIGN PATENT DOCUMENTS

(**) **Term:** **14 Years**

FR 2829008 A1 * 3/2003
GB 2333691 A * 8/1999
WO WO 2006046086 A1 * 5/2006

(21) Appl. No.: **29/220,896**

* cited by examiner

(22) Filed: **Jan. 7, 2005**

Primary Examiner—Cathron C. Brooks
Assistant Examiner—Ricky Pham

(51) **LOC (8) Cl.** **07-03**

(52) **U.S. Cl.** **D7/642**

(58) **Field of Classification Search** D7/393,
D7/401.2, 642–645, 653–668, 683–687;
30/147–150, 322–328; 294/1.1, 11, 16, 33,
294/99.1, 99.2, 100, 106, 118, 119
See application file for complete search history.

(74) *Attorney, Agent, or Firm*—David P. Lhota, Esq.;
Stearns Weaver Miller Weissler Alhadeff & Sitterson, P.A.

(57) **CLAIM**

The ornamental design for an eating utensil, as shown and described herein.

(56) **References Cited**

DESCRIPTION

U.S. PATENT DOCUMENTS

809,244	A *	1/1906	Blomquist	294/8.5
1,734,958	A *	11/1929	Audrieth	33/27.02
1,829,271	A *	10/1931	Freye	294/99.2
D141,909	S *	7/1945	Tamblyn	D32/35
3,640,561	A *	2/1972	Law	294/99.2
4,707,922	A *	11/1987	Hosak-Robb	30/322
D311,851	S *	11/1990	Allardyce	D7/642
D357,846	S *	5/1995	McNaughton	D7/686
5,487,578	A *	1/1996	Williams	294/99.2
D435,201	S *	12/2000	Wang	D7/686
D463,220	S *	9/2002	Yun	D7/642
D473,111	S *	4/2003	Kortleven et al.	D7/686

FIG. 1 is a perspective view of the eating utensil of the instant invention, showing the new design;

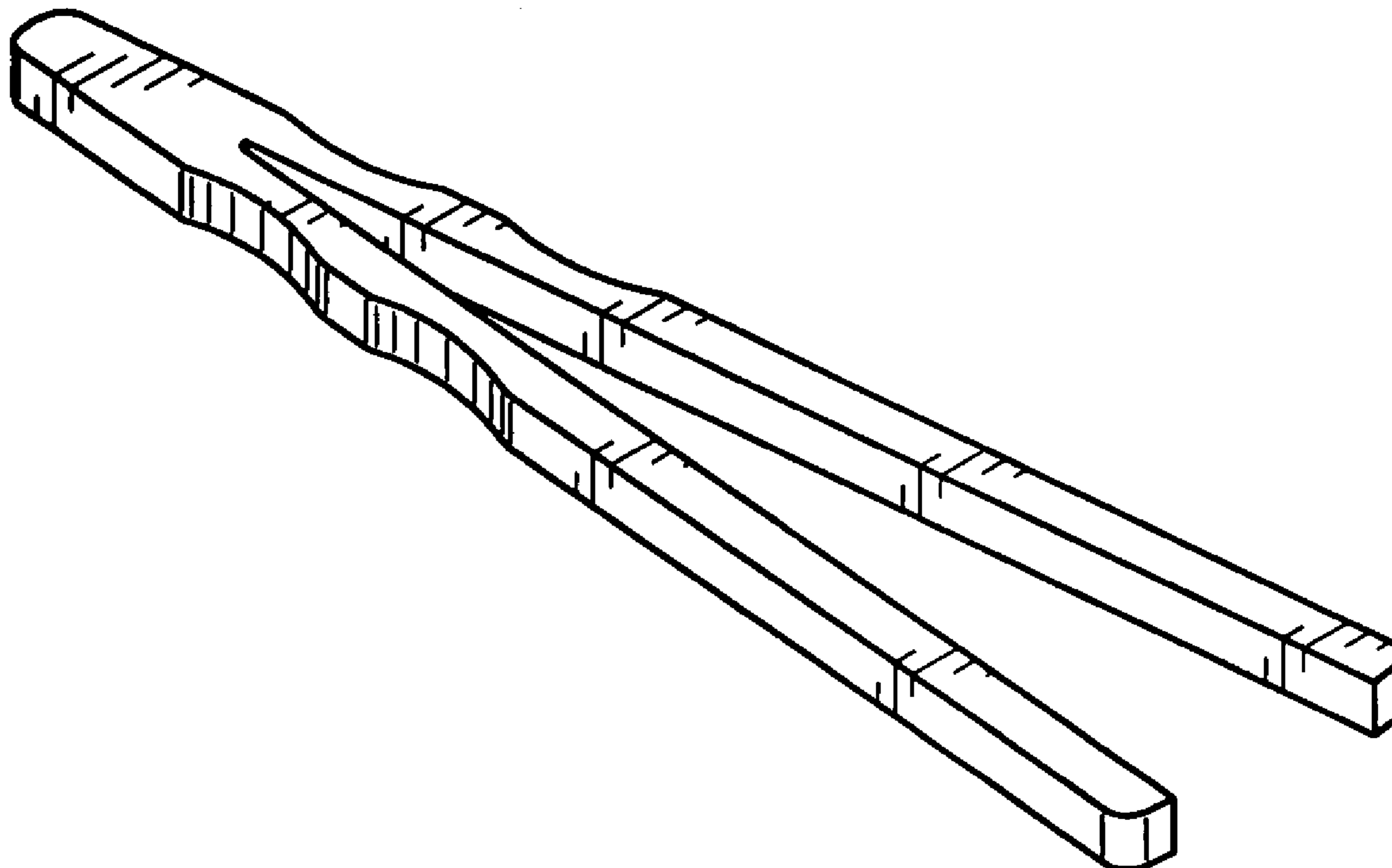
FIG. 2 is a bottom plan view of the instant invention of FIG. 1;

FIG. 3 is a top plan view of the instant invention of FIG. 1;

FIG. 4 is a front elevational view of the instant invention of FIG. 1, the rear elevational view being a mirror image thereof; and,

FIG. 5 is a right side elevational view of the instant invention of FIG. 1, the left side being a mirror image thereof.

1 Claim, 1 Drawing Sheet



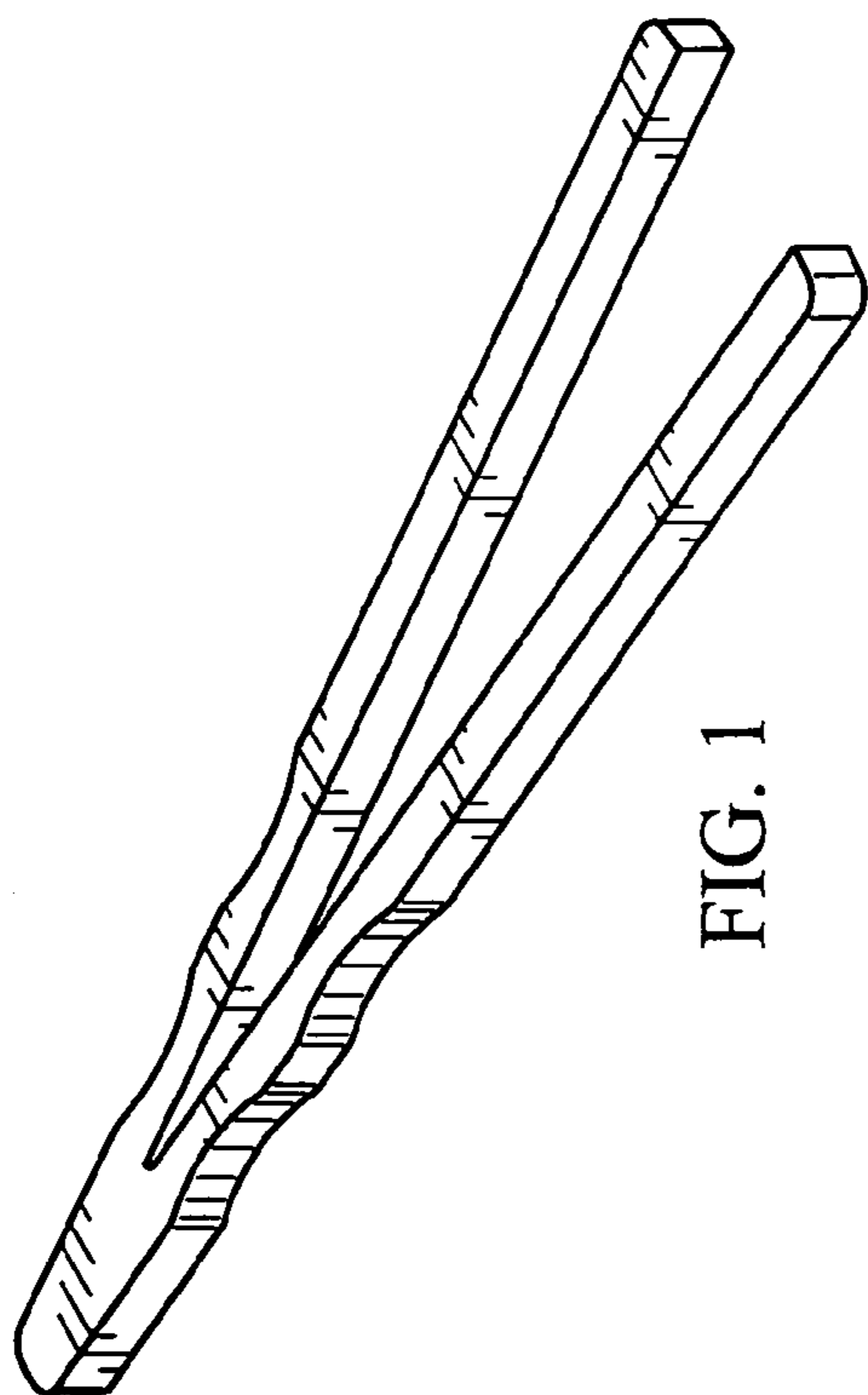


FIG. 1



FIG. 2

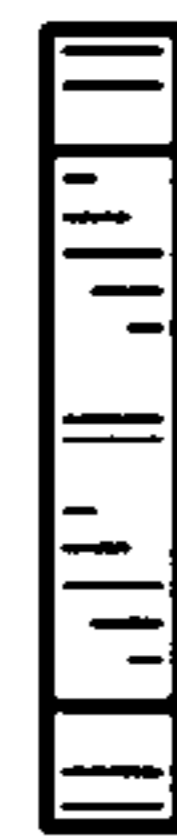


FIG. 3

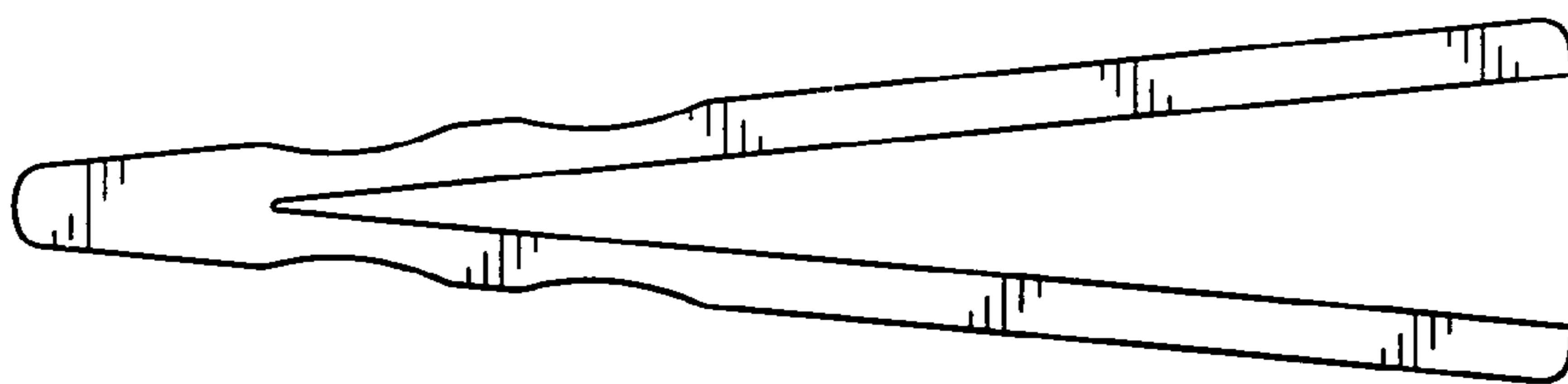


FIG. 4

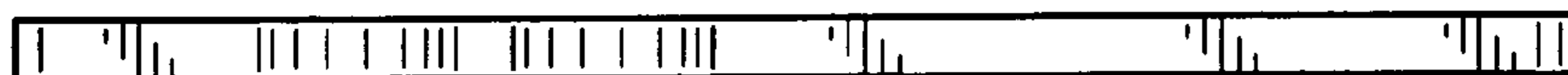


FIG. 5