



US00D545633S

(12) **United States Design Patent**
Hussaini et al.

(10) **Patent No.:** **US D545,633 S**

(45) **Date of Patent:** **** Jul. 3, 2007**

(54) **THERMOELECTRIC COOLER AND HEATER DEVICE**

D515,361 S * 2/2006 Yuen D7/605
D525,086 S * 7/2006 Krieger et al. D7/605
D527,225 S * 8/2006 Krieger et al. D7/605

(75) Inventors: **Saied Hussaini**, Miami, FL (US); **Marc Iacovelli**, Miami, FL (US)

* cited by examiner

(73) Assignee: **Rally Manufacturing, Inc.**, Miami, FL (US)

Primary Examiner—Brian N Vinson

(74) *Attorney, Agent, or Firm*—Berenato, White & Stavish

(**) Term: **14 Years**

(57) **CLAIM**

(21) Appl. No.: **29/229,877**

The ornamental design for a thermoelectric cooler and heater device, as shown and described.

(22) Filed: **May 13, 2005**

DESCRIPTION

(51) **LOC (8) Cl.** **07-01**

(52) **U.S. Cl.** **D7/605**

(58) **Field of Classification Search** D23/314,
D23/328, 332; D15/81; D7/334, 601, 605;
62/371–372, 3.62, 457.1–457.9; D3/273,
D3/276

FIG. 1 is a front, top and left perspective view of a thermoelectric cooler and heater device showing our new design;

FIG. 2 is a front elevational view thereof;

FIG. 3 is a rear elevational view thereof;

FIG. 4 is a left side elevational view thereof;

FIG. 5 is a right elevational view thereof;

FIG. 6 is a top plan view thereof; and,

FIG. 7 is a bottom plan view thereof.

See application file for complete search history.

(56) **References Cited**

U.S. PATENT DOCUMENTS

D494,021 S * 8/2004 Huthmaker D7/605
D502,845 S * 3/2005 Wilgus et al. D7/605

1 Claim, 7 Drawing Sheets

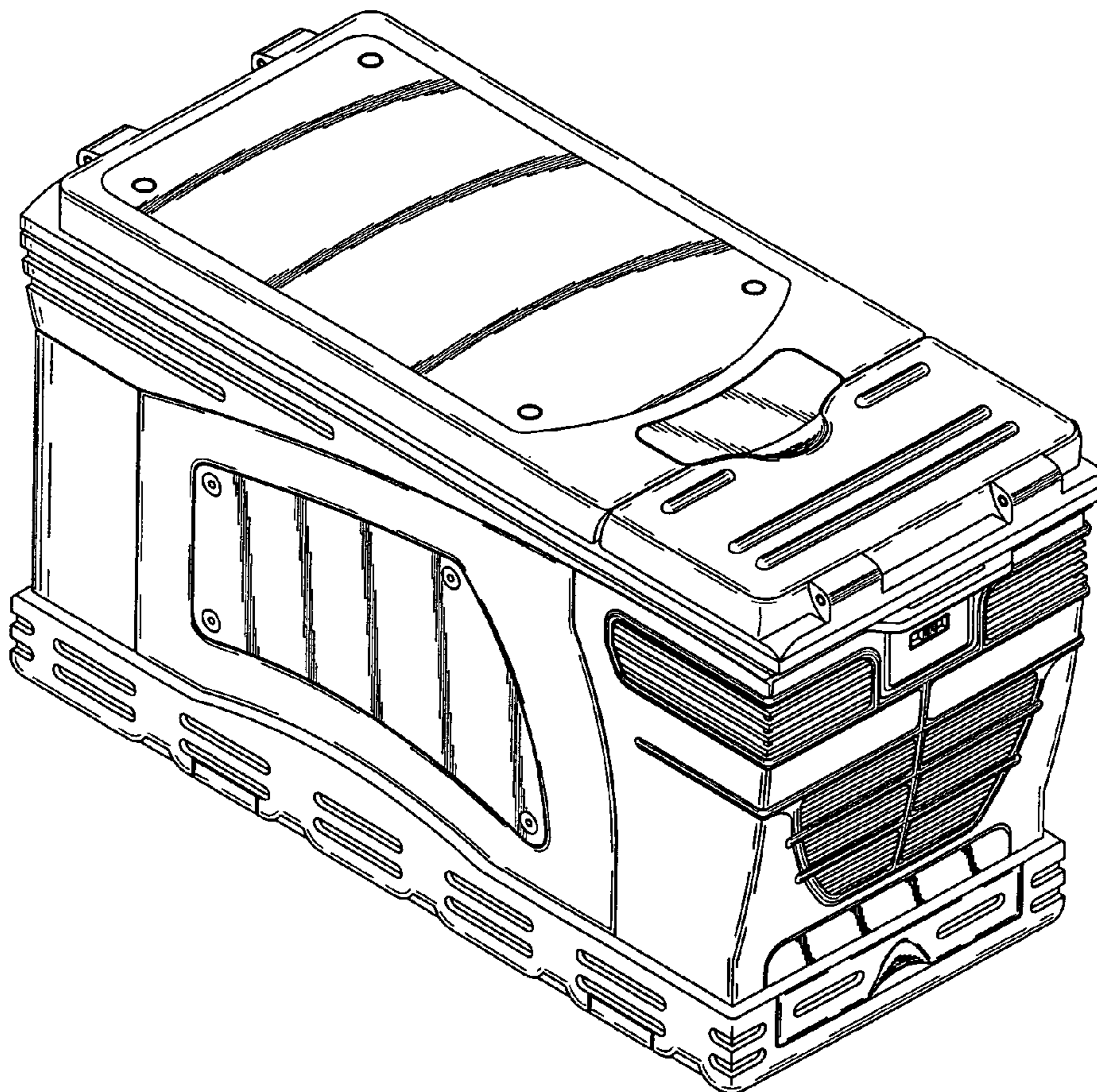


Fig. 1

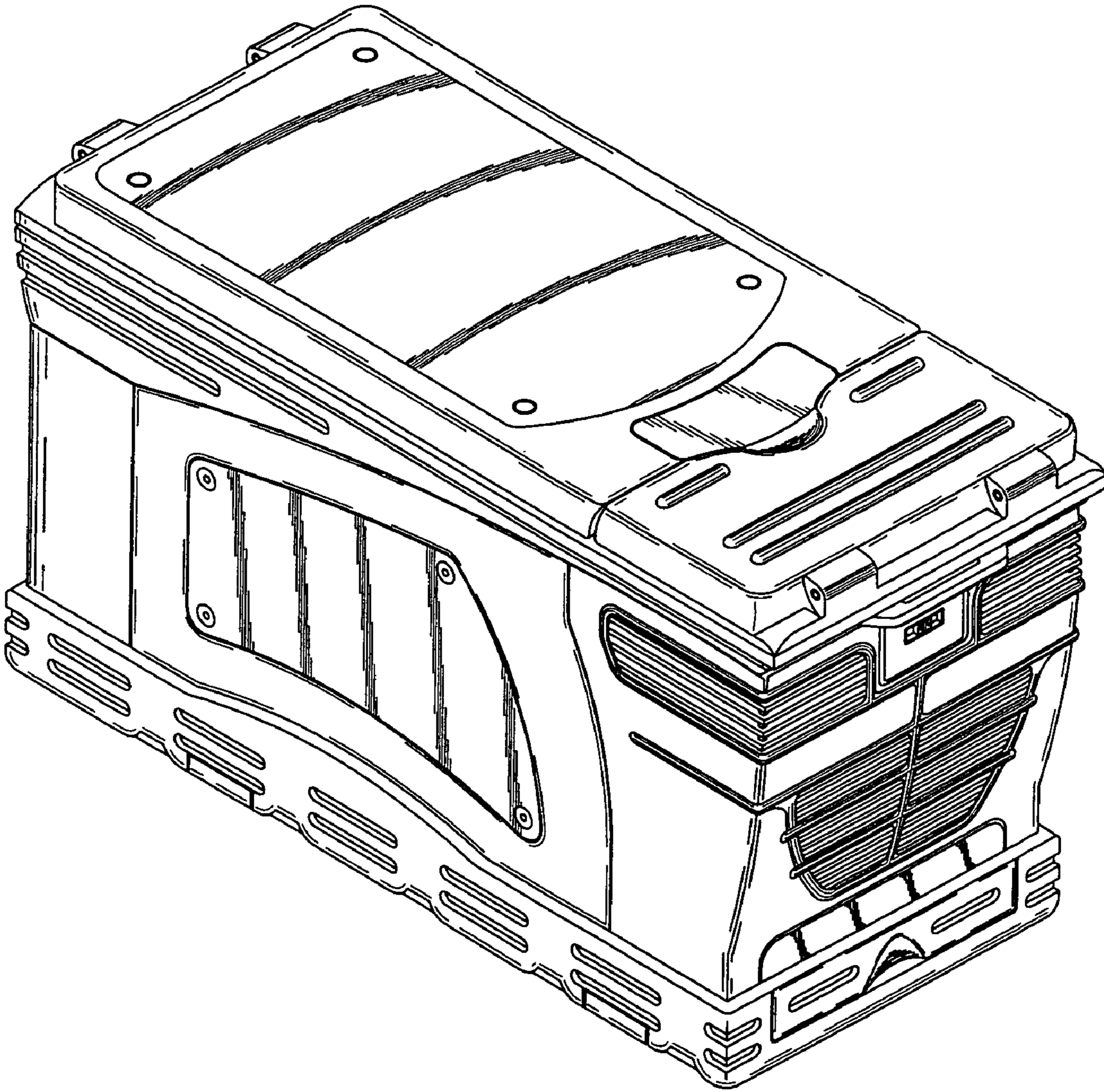


Fig. 2

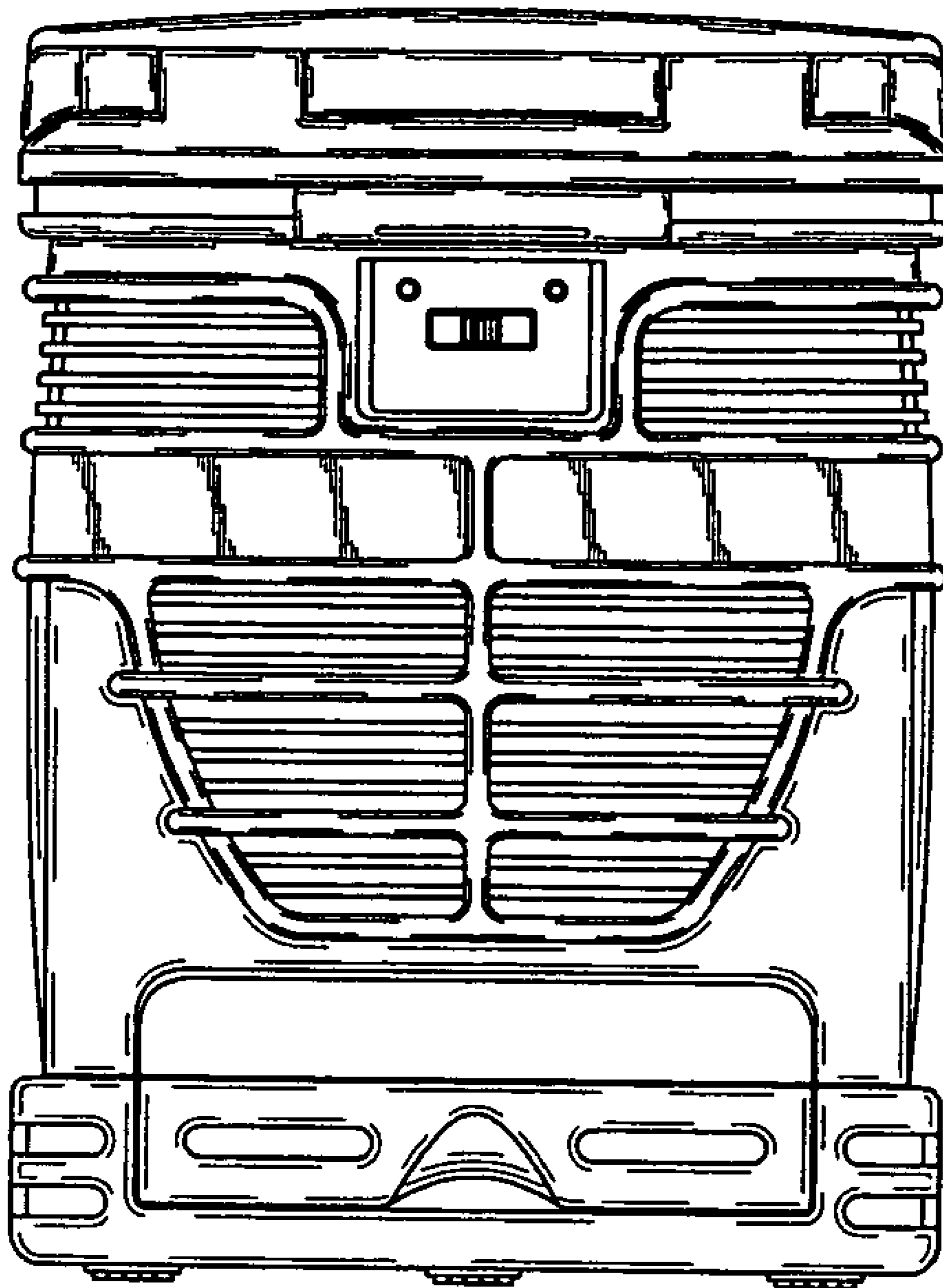


Fig. 3

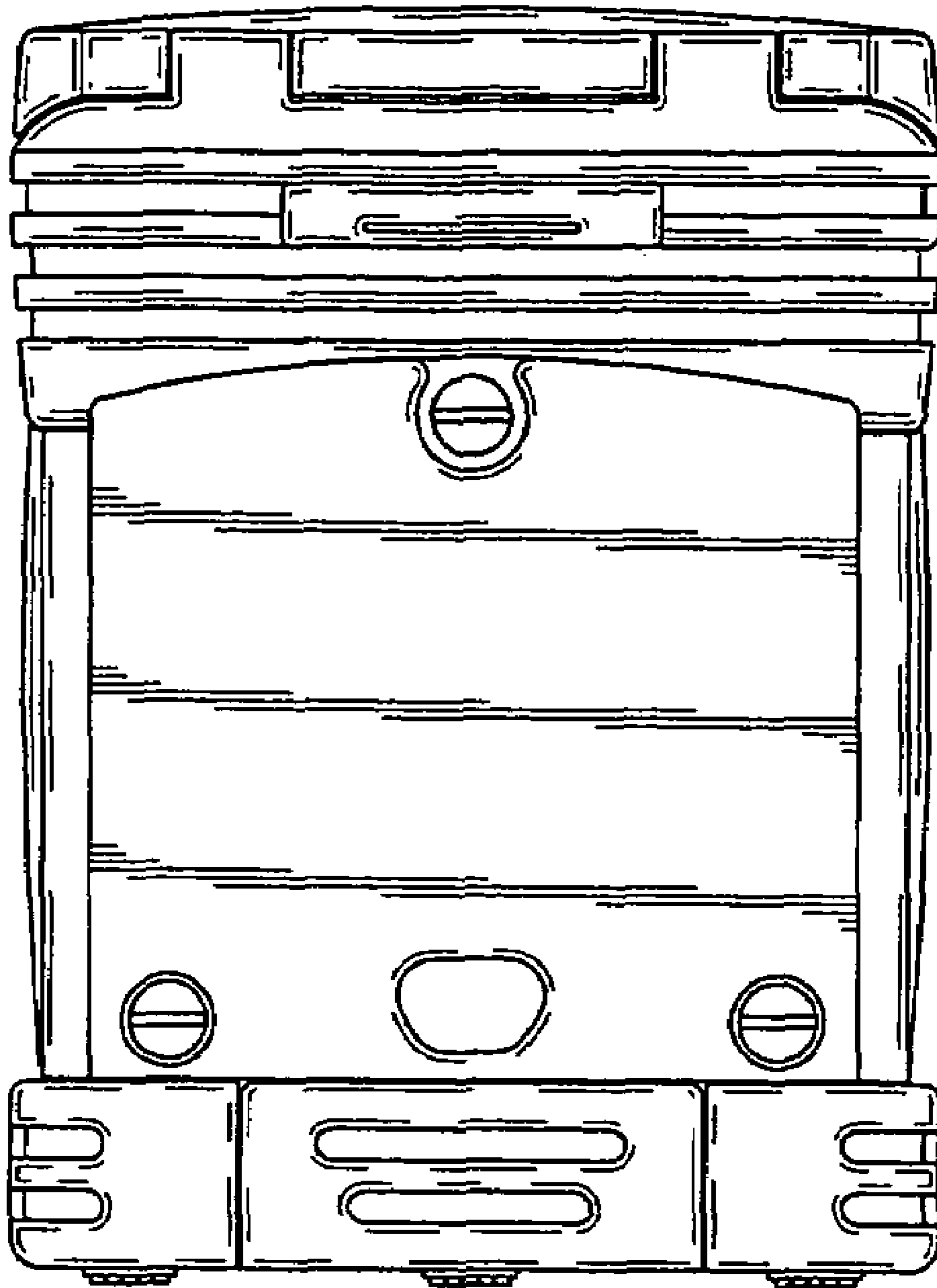


Fig. 4

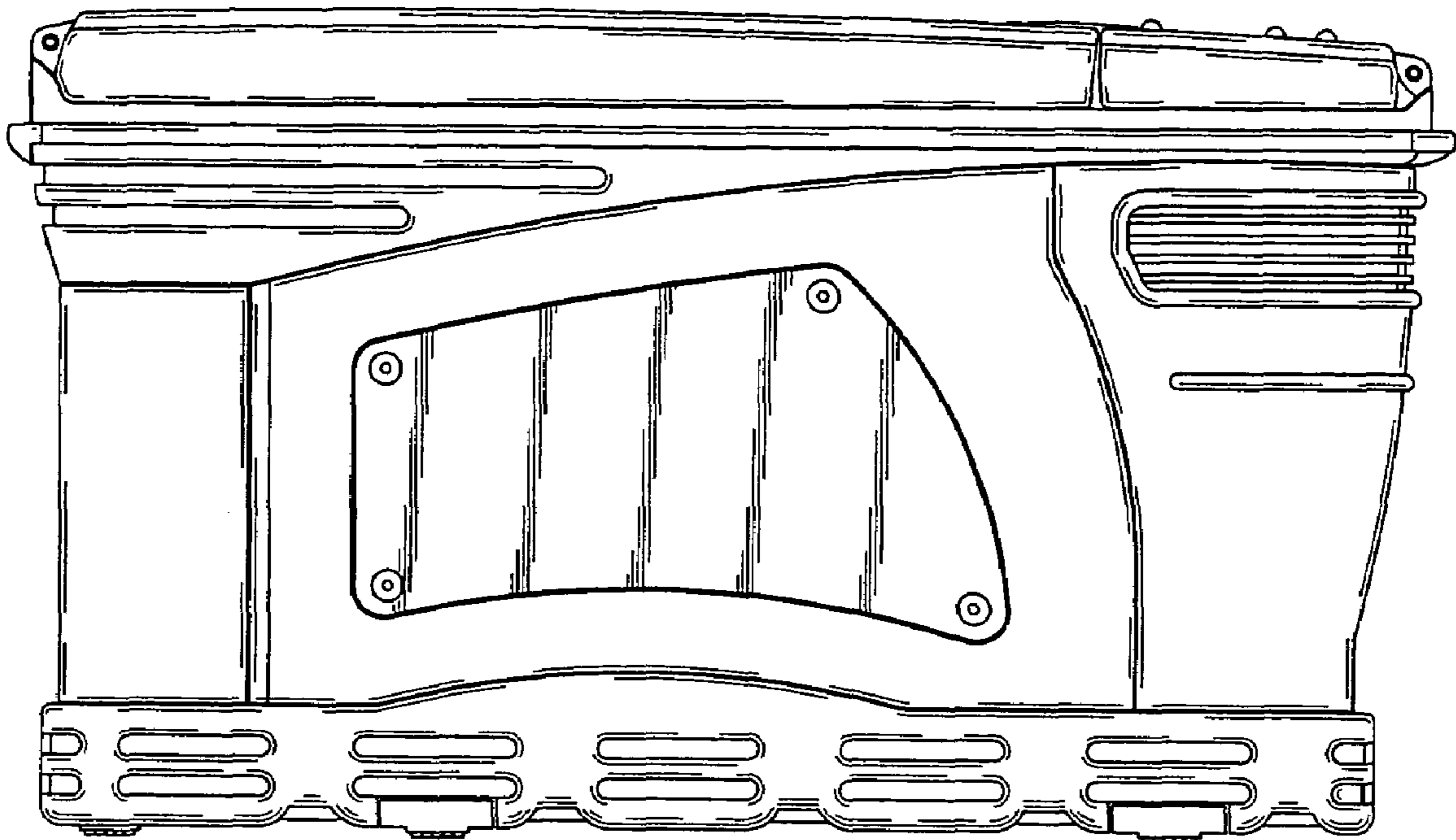


Fig. 5

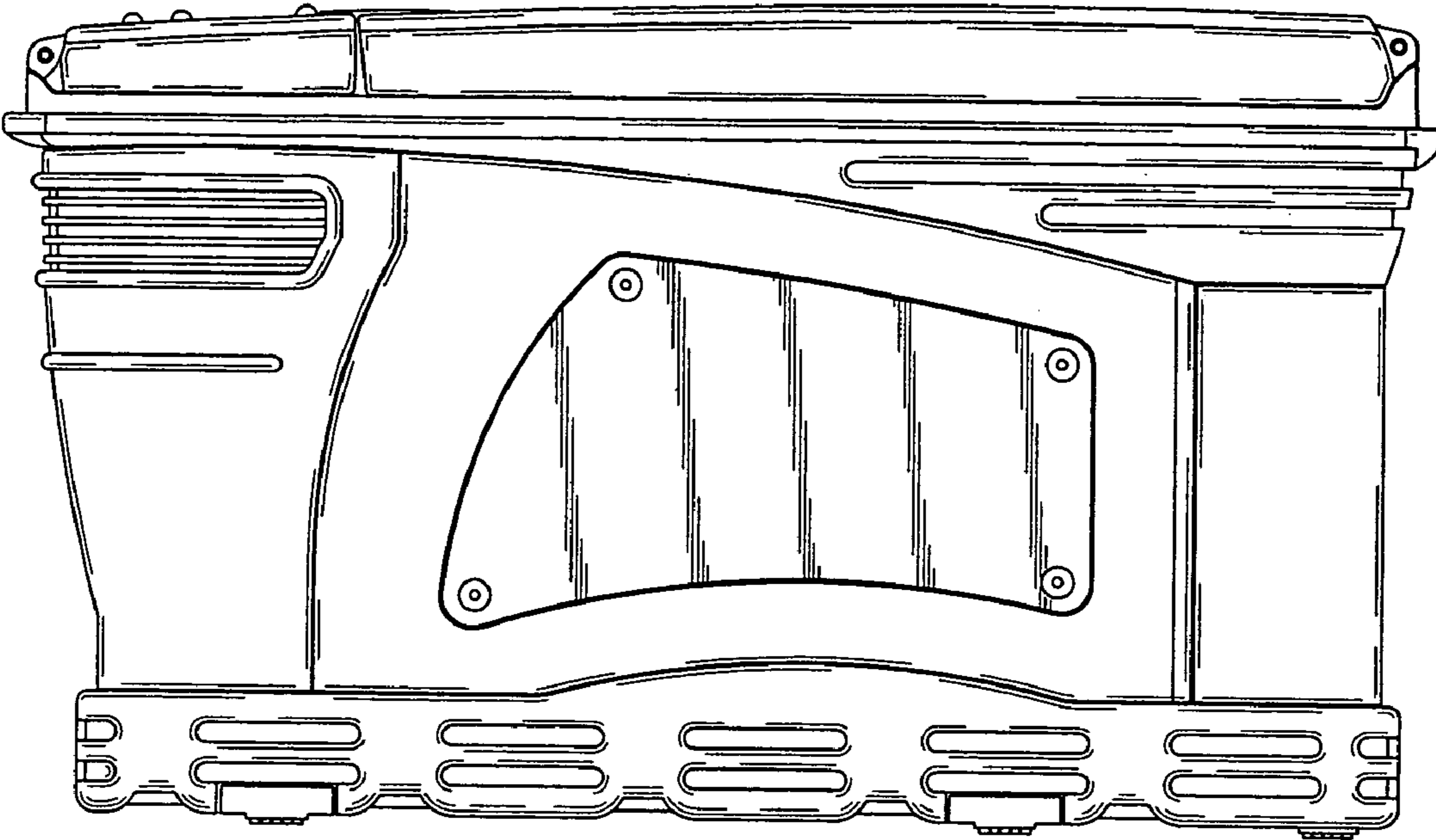


Fig. 6

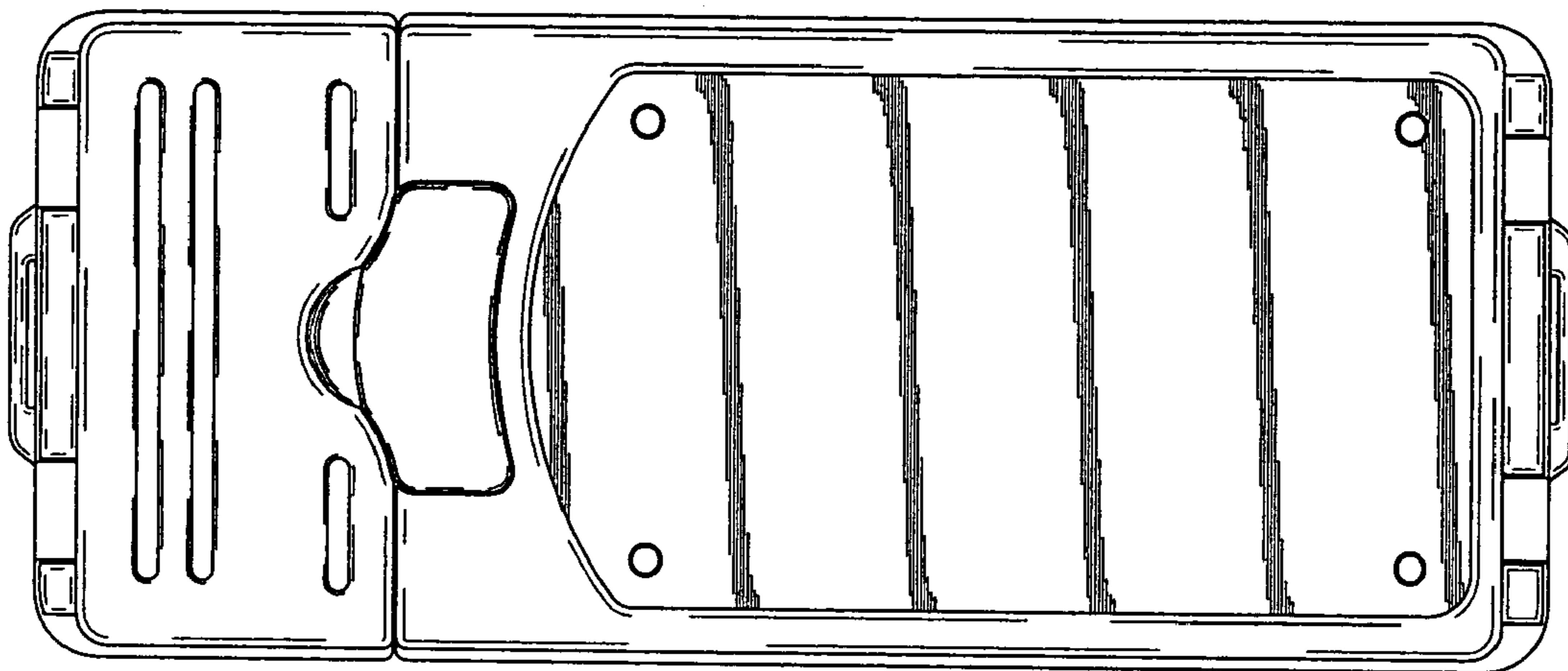


Fig. 7

