



US00D545627S

(12) **United States Design Patent**
Chatterton et al.

(10) **Patent No.: US D545,627 S**
(45) **Date of Patent: ** Jul. 3, 2007**

- (54) **BOWL AND LID**
- (75) Inventors: **Chadd R. Chatterton**, Kenosha, WI (US); **Scott D. Brown**, Winthrop Harbor, IL (US)
- (73) Assignee: **Pactiv Corporation**, Lake Forest, IL (US)
- (**) Term: **14 Years**
- (21) Appl. No.: **29/235,770**
- (22) Filed: **Aug. 5, 2005**
- (51) **LOC (8) Cl. 07-01**
- (52) **U.S. Cl. D7/538; D7/602; D7/629**
- (58) **Field of Classification Search D7/500, D7/509, 524, 533, 538-549, 554.2, 554.4, D7/571, 584, 586, 587, 601-641, 701-708, D7/300, 302, 320, 352, 353, 361, 368, 392, D7/393, 307, 597, 551.2, 553.6, 318, 321, D7/619.1; D9/423-433, 435, 443, 434, 452, D9/761; 206/557; 220/737, 4.23**
See application file for complete search history.

- (56) **References Cited**
U.S. PATENT DOCUMENTS

933,881 A	9/1909	Brown	
D43,852 S	4/1913	Sanford	D7/565
D52,727 S	12/1918	Beiswanger	
1,507,685 A	9/1924	Robinson	
D69,040 S	12/1925	Loomis	D7/562
D69,929 S	4/1926	Zimmerman	D30/120
1,696,099 A	12/1928	Moore	
1,974,898 A	9/1934	Rutledge	
D108,209 S	2/1938	Kelly	
2,170,040 A	8/1939	Stuart	
2,179,188 A	11/1939	Kitselman	
D124,290 S	12/1940	Chaplin	D7/565
2,283,704 A	5/1942	Steudel	

- 2,550,815 A 5/1951 Inwood
- D164,407 S 9/1951 Cowan D7/565
- D174,832 S 5/1955 Nowak D7/545
- 2,811,152 A 10/1957 Wicks
- 3,037,677 A 6/1962 Debs
- D195,699 S 7/1963 Bostrom
- 3,099,377 A 7/1963 Metzler et al.
- D197,310 S 1/1964 Butzko
- 3,126,582 A 3/1964 Scott
- 3,183,291 A 5/1965 Miller et al.

(Continued)

Primary Examiner—Philip S. Hyder
Assistant Examiner—Cynthia Underwood
(74) *Attorney, Agent, or Firm*—Baker Botts L.L.P.

(57) **CLAIM**

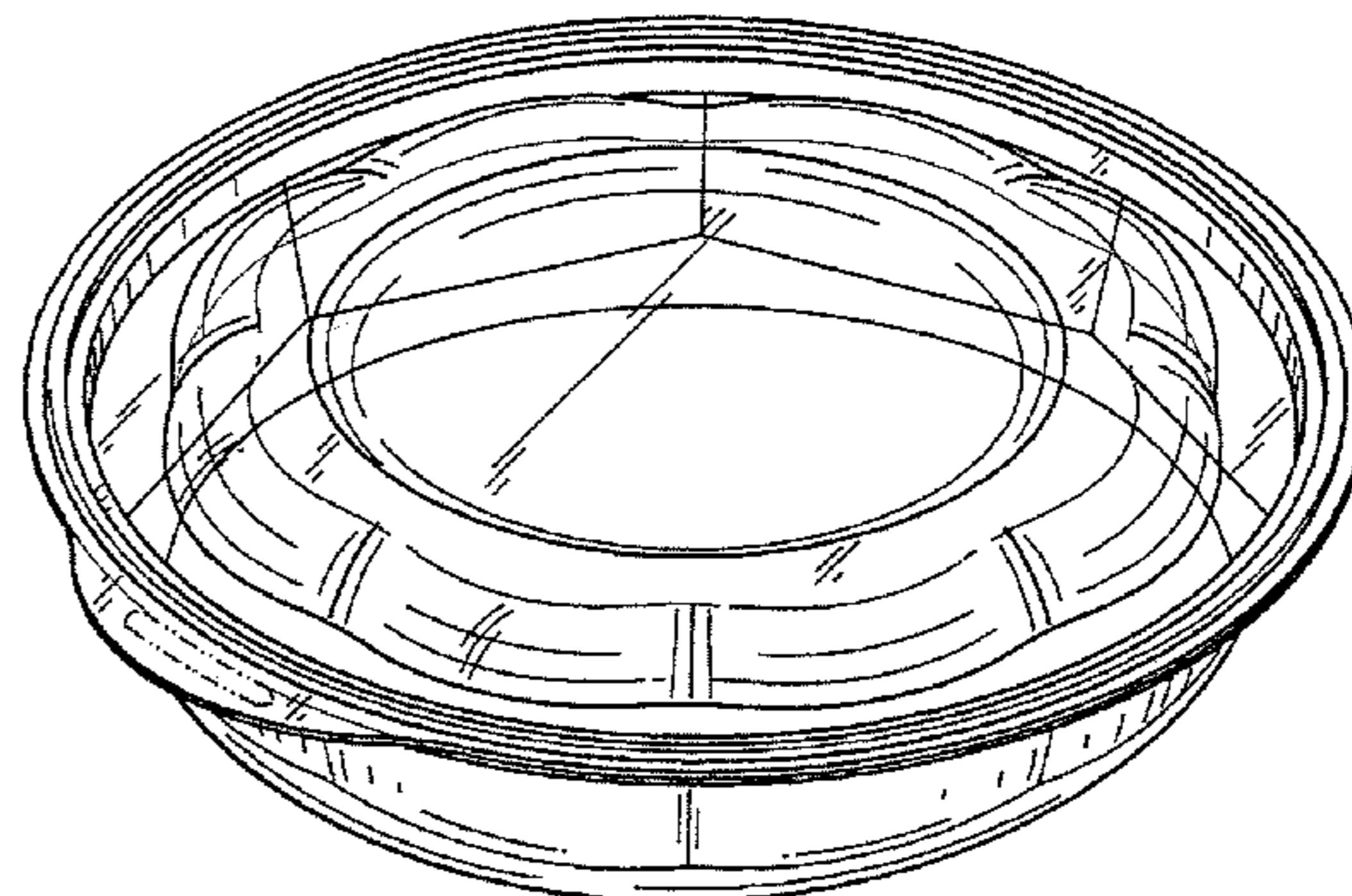
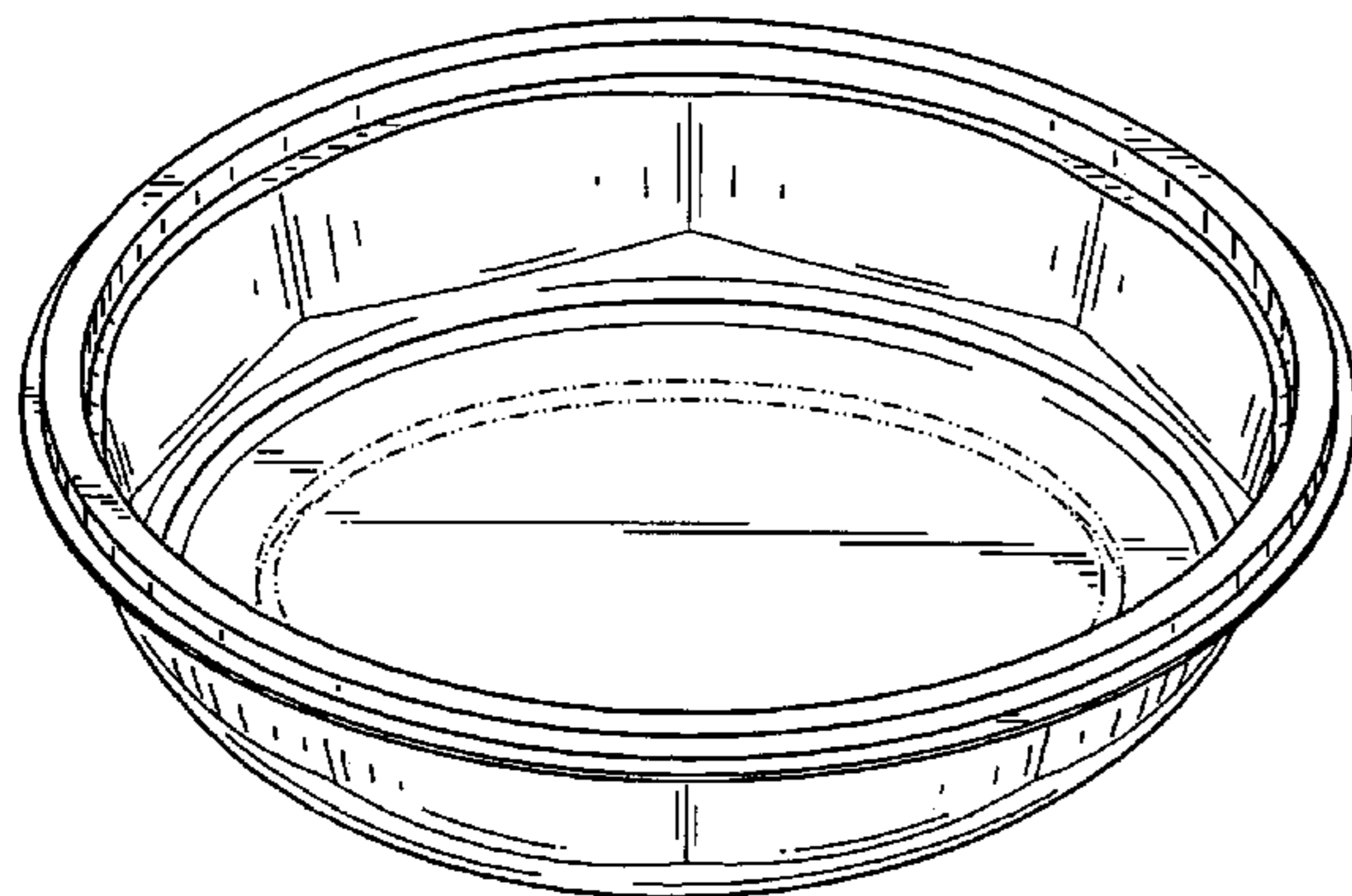
The ornamental design for a bowl and lid, as shown.

DESCRIPTION

FIG. 1 is a perspective view of a bowl;
 FIG. 2 is a top view of the bowl of FIG. 1;
 FIG. 3 is side view of the bowl of FIG. 1;
 FIG. 4 is a bottom view of the bowl of FIG. 1;
 FIG. 5 is a perspective view of the bowl of FIG. 1 with a lid;
 FIG. 6 is a top view of the bowl and lid of FIG. 5;
 FIG. 7 is a side view of the bowl and lid of FIG. 5, the opposite side view being a mirror image thereof;
 FIG. 8 is a front view of the bowl and lid of FIG. 5;
 FIG. 9 is a back view of the bowl and lid of FIG. 5; and,
 FIG. 10 is a bottom view of the bowl and lid of FIG. 5.

The portions shown in phantom lines are not part of the claimed invention, but are included to show environment. The phantom lines illustrate features such as a circular bottom rib and a pull tab rib.

1 Claim, 5 Drawing Sheets



US D545,627 S

U.S. PATENT DOCUMENTS					
3,229,886 A	1/1966	Grogel	D272,595 S	2/1984	Chase et al.
3,284,553 A	11/1966	Edwards	4,442,064 A	4/1984	Myers et al.
3,293,697 A	12/1966	Balint	4,446,088 A	5/1984	Daines
3,337,664 A	8/1967	Lyon	D275,255 S	8/1984	Durand
3,474,929 A	10/1969	Harker	D275,636 S	9/1984	Picozza
3,530,537 A	9/1970	Walker	D275,922 S	10/1984	Weil
3,551,954 A	1/1971	Knowles	4,491,225 A	1/1985	Baillod 206/583
3,598,278 A	8/1971	Vann, Jr.	4,502,660 A	3/1985	Luther et al.
3,625,305 A	12/1971	Mueller et al. 182/46	D278,588 S	4/1985	Knutson
3,703,255 A	11/1972	Wade	D279,445 S	7/1985	Jagger
3,737,068 A	6/1973	Bird 220/60	D279,532 S	7/1985	Pozzi
3,794,090 A	2/1974	Commisso 150/0.05	4,534,927 A	8/1985	Morioka et al.
D235,302 S	6/1975	Lanigan	4,535,889 A	8/1985	Terauds 206/527
3,902,540 A	9/1975	Commisso 220/4.24	D280,482 S	9/1985	Knutson
D237,689 S	11/1975	Davis	D280,590 S	9/1985	Schrage
3,955,710 A	5/1976	Commisso 220/784	D280,688 S	9/1985	Laslo
3,967,991 A	7/1976	Shimano et al.	D280,689 S	9/1985	Knutson
3,988,191 A	10/1976	Matsui	D281,661 S	12/1985	Unger
3,995,763 A	12/1976	Ayres et al.	D283,193 S	4/1986	Daenen D7/317
D242,972 S	1/1977	Day	D283,388 S	4/1986	Durand
D243,428 S	2/1977	Thrush	D284,160 S	6/1986	Durand D7/360
D243,429 S	2/1977	Thrush	D285,405 S	9/1986	Grange D7/412
D243,430 S	2/1977	Thrush	4,609,339 A	9/1986	Padovani
D244,246 S	5/1977	Daenen	D286,249 S	10/1986	Carlson
D244,338 S	5/1977	Yauger	D286,726 S	11/1986	Daenen et al.
D244,415 S	5/1977	Daenen	D286,844 S	11/1986	Daenen et al.
D244,573 S	6/1977	Thrush	4,627,810 A	12/1986	Von Holdt
D244,742 S	6/1977	Daenen	D288,050 S	2/1987	Fox et al.
D246,026 S	10/1977	Stahel	D290,327 S	6/1987	Durand
4,060,577 A	11/1977	Collins	4,690,666 A	9/1987	Alexander et al.
4,073,609 A	2/1978	Petrenchik	D292,159 S	10/1987	Thrush
D248,006 S	5/1978	Christian	4,705,163 A	11/1987	James 206/45.32
D248,076 S	6/1978	Christian	4,705,172 A	11/1987	Gage 206/519
D248,359 S	7/1978	Meyer	D293,292 S	12/1987	Finsilver
4,108,347 A	8/1978	Amberg	4,742,934 A	5/1988	Michaud et al. 220/306
D249,234 S	9/1978	Limon et al.	4,753,351 A	6/1988	Guillin 206/520
D249,439 S	9/1978	Benes et al.	D296,640 S	7/1988	Miller
4,113,824 A	9/1978	Matsui et al.	D298,001 S	10/1988	Perry
4,121,402 A	10/1978	Cress et al.	4,795,056 A	1/1989	Meyers 220/788
D250,382 S	11/1978	Benes et al.	4,822,553 A	4/1989	Marshall
4,127,378 A	11/1978	Meadors	D303,633 S	9/1989	Terauds D9/428
D250,929 S	1/1979	Gerstman et al.	D304,121 S	10/1989	Gabayno D34/42
D250,930 S	1/1979	Franklin	D304,275 S	10/1989	Kiefer
D251,713 S	5/1979	Brody	D304,317 S	10/1989	Wagner D11/153
4,157,762 A	6/1979	Robinson 220/1	4,878,970 A	11/1989	Schubert et al.
D253,272 S	10/1979	Ottier	D304,909 S	12/1989	Natori D9/423
4,197,940 A	4/1980	DeRossett 206/46.32	D305,592 S	1/1990	Harris et al.
4,202,464 A	5/1980	Mohs et al. 220/339	D307,395 S	4/1990	Borst D9/428
D255,199 S	6/1980	Gruber	D308,826 S	6/1990	Cyr et al.
4,219,119 A	8/1980	Zefran 206/457	4,930,627 A	6/1990	Borst et al. 206/45.23
D257,654 S	12/1980	Campana et al.	4,947,993 A	8/1990	Bruml et al. 206/551
D259,009 S	4/1981	Connolly et al.	D310,768 S	9/1990	Levine D7/543
D259,543 S	6/1981	Commisso et al.	4,961,494 A	10/1990	Alexander 206/45.2
4,281,979 A	8/1981	Doherty et al.	4,962,849 A	10/1990	Anderson 206/45.24
4,286,766 A	9/1981	von Holdt	D312,024 S	11/1990	Antoni et al. D7/545
D262,944 S	2/1982	Commisso	D312,025 S	11/1990	Antoni et al. D7/552
D263,023 S	2/1982	Commisso	D313,148 S	12/1990	de Winter D7/318
D263,668 S	4/1982	Knutson	4,974,738 A	12/1990	Kidd et al. 220/4 E
D266,818 S	11/1982	Trombly	D313,728 S	1/1991	Oropeza D7/556
4,359,160 A	11/1982	Myers et al.	5,011,006 A	4/1991	Anderson 206/45.18
4,362,252 A	12/1982	Graff 220/270	5,015,169 A	5/1991	Inzinna et al.
D267,703 S	1/1983	Chase et al.	5,046,659 A	9/1991	Warburton 229/2.5
4,375,862 A	3/1983	Kurinsky et al. 220/293	D320,532 S	10/1991	Zielinski et al. D7/560
4,383,819 A	5/1983	Letica	D320,533 S	10/1991	Zielinski et al. D7/560
4,386,044 A	5/1983	Arndt et al.	D320,534 S	10/1991	Finney et al. D7/560
D269,854 S	7/1983	Commisso	D322,737 S	12/1991	Unger D7/545
D270,698 S	9/1983	Husted	D323,097 S	1/1992	Picozza D7/542
D271,378 S	11/1983	Sun D9/424	D324,324 S	3/1992	Picozza D7/565
D271,651 S	12/1983	Knutson	D325,492 S	4/1992	Fabricius D7/540
D271,835 S	12/1983	Knutson	5,118,277 A	6/1992	Padovani
D272,030 S	1/1984	Sleith	D328,705 S	8/1992	Krupa D9/420
			D329,198 S	9/1992	Krupa D9/423
			D329,572 S	9/1992	Krupa D7/542

US D545,627 S

5,169,023 A	12/1992	Heiberg et al.	220/574	D391,118 S	2/1998	Jorgensen	D7/586
D332,892 S	2/1993	Sun	D7/540	D391,850 S	3/1998	Krupa et al.	D9/429
D335,085 S	4/1993	Wacker	D9/504	D392,159 S	3/1998	Longstreth	D7/610
5,220,999 A	6/1993	Goulette	206/45.23	D392,881 S	3/1998	Bulcher et al.	D9/425
D337,696 S	7/1993	Sun	D7/538	5,730,313 A	3/1998	Hayes et al.	220/526
D338,375 S	8/1993	Andress	D7/565	D401,475 S	11/1998	Ritchey	D7/543
5,266,763 A	11/1993	Colombo	219/10.55	D402,506 S	12/1998	Chilewich	D7/558
5,269,430 A	12/1993	Schlaupitz et al.	220/4.23	D402,507 S	12/1998	Chilewich	D7/358
D343,376 S	1/1994	Killian	D9/423	D402,511 S	12/1998	Chilewich	D7/584
D343,576 S	1/1994	Krupa	D9/423	D402,852 S	12/1998	Benson	D7/545
D344,210 S	2/1994	Cousins et al.	D7/538	D404,258 S	1/1999	Indekeu	D7/585
D344,211 S	2/1994	Froger	D7/565	D404,614 S	1/1999	Indekeu	D7/588
D344,660 S	3/1994	Krupa	D7/629	5,860,530 A	1/1999	Simmons et al.	
D344,875 S	3/1994	Pomroy et al.	D7/552	D406,986 S	3/1999	Lewis	D7/558
D345,894 S	4/1994	Krupa	D7/552	D407,266 S	3/1999	Silva	D7/392.1
D345,912 S	4/1994	Krupa	D9/429	D409,909 S	5/1999	Hayes et al.	D9/429
D349,005 S	7/1994	Cousins et al.	D7/543	D411,078 S	6/1999	Cornelissen	D7/586
D349,213 S	8/1994	Cousins et al.	D7/543	D411,288 S	6/1999	Cuttriss	D23/284
D351,968 S	11/1994	Zivin	D7/564	D413,230 S	8/1999	Horvat	D7/558
D351,999 S	11/1994	Krupa	D9/423	D413,489 S	9/1999	Miller	D7/602
D352,207 S	11/1994	Jaworski	D7/585	D414,413 S	9/1999	Brown	D9/429
5,368,469 A	11/1994	Ekkert		5,947,321 A	9/1999	Vadney	
D353,230 S	12/1994	Reusche et al.	D30/123	D414,657 S	10/1999	Sgro	D7/564
D353,327 S	12/1994	Castner et al.		D415,025 S	10/1999	McCann	D9/429
D353,518 S	12/1994	Cautereels et al.	D7/560	D415,385 S	10/1999	Loew et al.	D7/392.1
D353,519 S	12/1994	Wolfenden	D7/584	D415,657 S	10/1999	Cornelissen	D7/566
5,375,701 A	12/1994	Hustad et al.	206/45.18	D415,933 S	11/1999	Cornelissen	D7/587
D354,436 S	1/1995	Krupa	D9/423	D416,445 S	11/1999	Henry	D7/545
D354,884 S	1/1995	Carranza	D7/564	D416,760 S	11/1999	Horvat	D7/558
5,390,816 A	2/1995	Boyd	220/574	5,979,687 A	11/1999	Hayes et al.	
D356,010 S	3/1995	McEntee	D7/557	5,984,130 A	11/1999	Hayes et al.	
D358,091 S	5/1995	Warburton	D9/429	D417,817 S	12/1999	Loew et al.	D7/392.1
5,413,239 A	5/1995	Rider, Jr.	220/339	D419,382 S	1/2000	Horvat	D7/558
5,423,453 A	6/1995	Fritz	220/608	6,010,062 A	1/2000	Shimono	
5,425,467 A	6/1995	Feer et al.	220/281	D420,285 S	2/2000	Sagan et al.	D9/429
D360,112 S	7/1995	McEntee	D7/584	D420,854 S	2/2000	Michaeli	D7/533.6
D361,696 S	8/1995	Wolfenden	D7/584	D420,857 S	2/2000	Loew et al.	D7/558
5,441,166 A	8/1995	Lucas, Jr. et al.	220/306	D421,549 S	3/2000	Hints	D7/555
D363,879 S	11/1995	Krupa et al.	D9/423	D422,843 S	4/2000	Rashid	D7/555
D364,090 S	11/1995	Krupa	D9/429	D422,907 S	4/2000	Sagan et al.	D9/428
D364,998 S	12/1995	Held	D7/545	D423,880 S	5/2000	Rashid	D7/545
5,497,894 A	3/1996	Krupa et al.	220/4.23	D426,427 S	6/2000	Rubbright et al.	D7/565
D369,278 S	4/1996	Scialpi et al.	D7/579	6,073,795 A	6/2000	Longstreth	220/574
5,515,993 A	5/1996	McManus	220/339	D427,525 S	7/2000	Hayes et al.	D9/431
D371,721 S	7/1996	Redmond et al.	D7/565	D427,902 S *	7/2000	Hayes et al.	D9/425
D371,940 S	7/1996	Krupa	D7/549	D428,777 S	8/2000	Hayes et al.	D7/629
D371,964 S	7/1996	Krupa	D9/429	D429,961 S	8/2000	Harris	D7/540
D373,050 S	8/1996	Brewer et al.	D7/505	D431,419 S	10/2000	Greene	D7/538
5,542,565 A	8/1996	Hidalgo-Lopez	220/574	D432,360 S	10/2000	Greene	D7/543
D373,954 S	9/1996	Wolff	D9/429	D432,362 S	10/2000	Fait	D7/562
D374,820 S	10/1996	Knoss et al.	D9/429	D432,914 S	10/2000	Hayes et al.	D9/434
D375,683 S	11/1996	Schoff	D9/429	D433,334 S *	11/2000	Hayes et al.	D9/452
D376,314 S	12/1996	Krupa	D9/425	D433,600 S	11/2000	Hollinger	D7/565
D376,954 S	12/1996	Burns et al.	D7/560	D434,604 S	12/2000	Littlejohn et al.	D7/545
D376,960 S	12/1996	Ferris	D7/629	D434,945 S	12/2000	Godwin	D7/546
D377,450 S	1/1997	Krupa et al.	D9/425	6,168,044 B1 *	1/2001	Zettle et al.	220/784
D377,580 S *	1/1997	Hayes et al.	D7/392.1	D439,160 S	3/2001	Abayhan et al.	D9/429
D378,192 S	2/1997	Krupa et al.	D9/425	D440,829 S	4/2001	Brown	D7/629
D378,886 S	4/1997	Joyce	D7/585	D444,382 S	7/2001	Hayes et al.	D9/452
5,637,332 A	6/1997	Ridout		D445,310 S	7/2001	Brown	D7/629
D380,381 S	7/1997	Krupa et al.	D9/425	6,261,504 B1	7/2001	Baker et al.	
D381,563 S	7/1997	Longstreth	D7/610	D447,910 S	9/2001	Brown	D7/396.1
D382,796 S	8/1997	Mangla	D9/429	D449,522 S	10/2001	Brown	D9/425
5,657,873 A	8/1997	Hustad et al.	206/764	D450,537 S	11/2001	Hayes	D7/538
5,657,874 A	8/1997	Hustad et al.	206/764	D450,580 S *	11/2001	Littlejohn et al.	D9/429
D383,646 S	9/1997	Jeppesen et al.	D7/584	D457,037 S	5/2002	Hayes	D7/584
D384,551 S	10/1997	Ahern, Jr.	D7/392.1	D457,781 S	5/2002	Brown	D7/396.1
D384,554 S	10/1997	Ancona et al.	D7/505	D461,678 S	8/2002	Hayes	D7/392.1
D385,461 S	10/1997	Cousins	D7/538	D468,202 S	1/2003	Chou	D9/429
5,693,388 A	12/1997	Castner et al.		6,561,374 B2	5/2003	Longstreth	220/574
5,695,798 A	12/1997	Rozzano	426/115	D475,621 S *	6/2003	Buchalski et al.	D9/428
D389,056 S	1/1998	Hayes et al.	D9/435	D476,852 S	7/2003	Willis	D7/565
D389,061 S *	1/1998	Ebrahim et al.	D9/452	D478,812 S	8/2003	Hobbs	D9/428

US D545,627 S

Page 4

D479,097 S	9/2003	Willis	D7/565	D494,062 S	8/2004	Willis	D9/428
D479,441 S *	9/2003	Whitworth et al.	D7/629	D495,920 S	9/2004	Isler et al.	D7/354
D481,943 S	11/2003	Hobbs	D9/428	D497,548 S	10/2004	Nordland	D9/428
D482,283 S *	11/2003	Wichmann et al.	D9/454	D502,046 S	2/2005	Isler et al.	D7/354
D483,222 S	12/2003	Willis	D7/392.1	D505,596 S *	5/2005	Tucker et al.	D7/629
D484,412 S	12/2003	Willis	D9/454	7,097,066 B2 *	8/2006	Tucker et al.	220/780
D485,470 S	1/2004	Willis	D7/429	7,124,910 B2 *	10/2006	Nordland	220/839
D485,755 S	1/2004	Isler et al.	D9/425				
D487,210 S	3/2004	Isler et al.	D7/354				
D489,254 S *	5/2004	Kocis et al.	D9/425				

* cited by examiner

FIG. 1

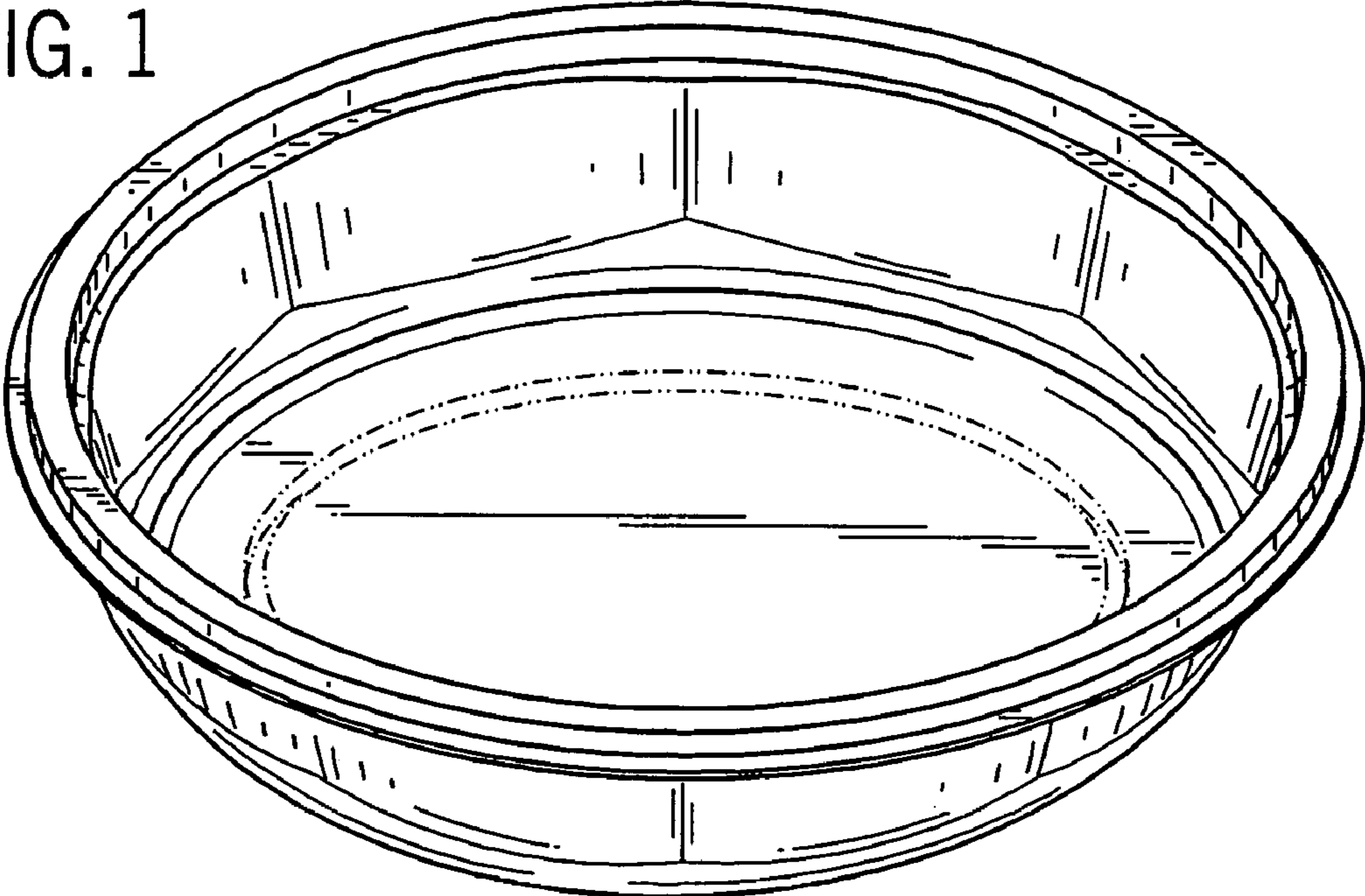


FIG. 2

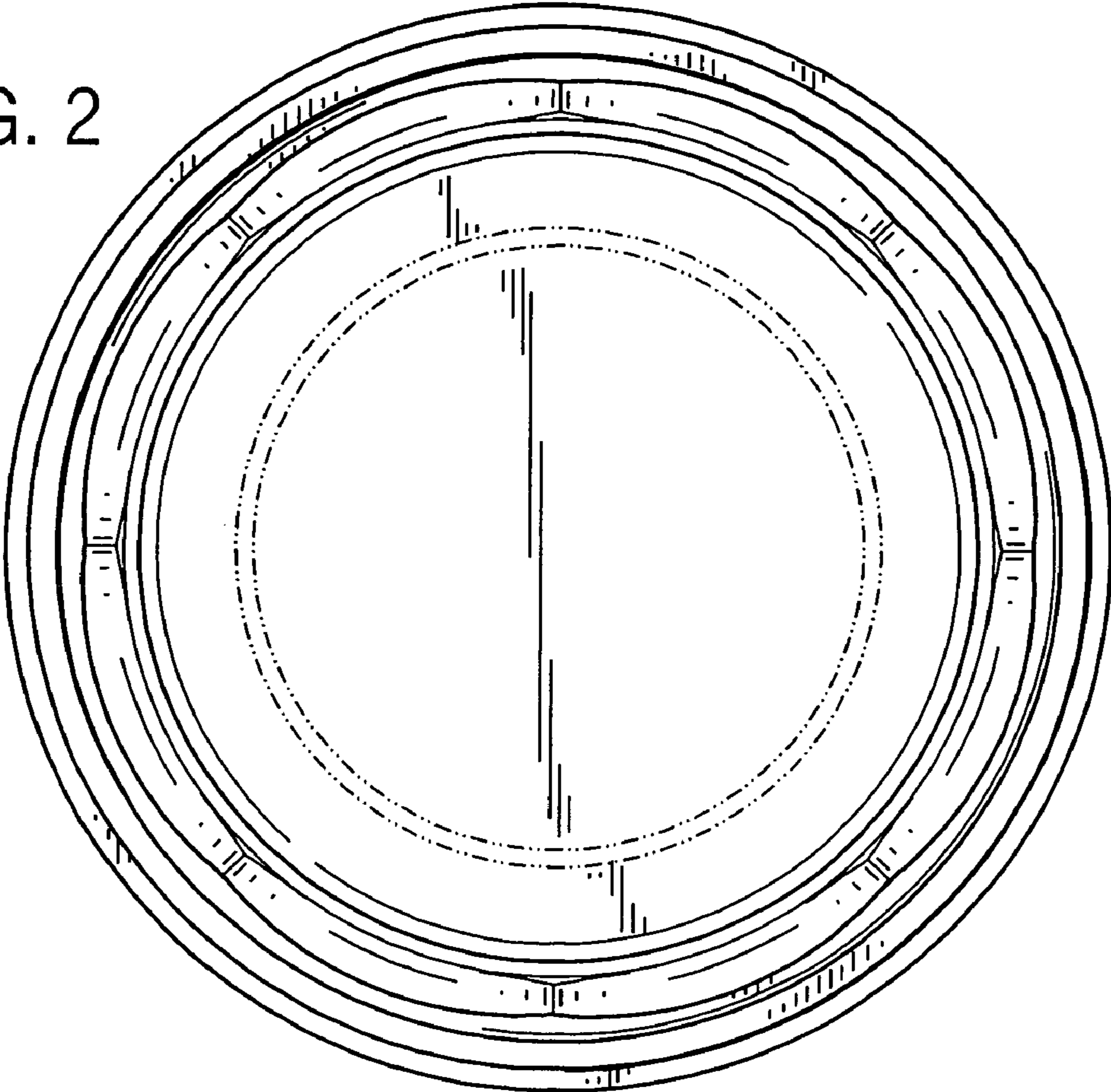


FIG. 3

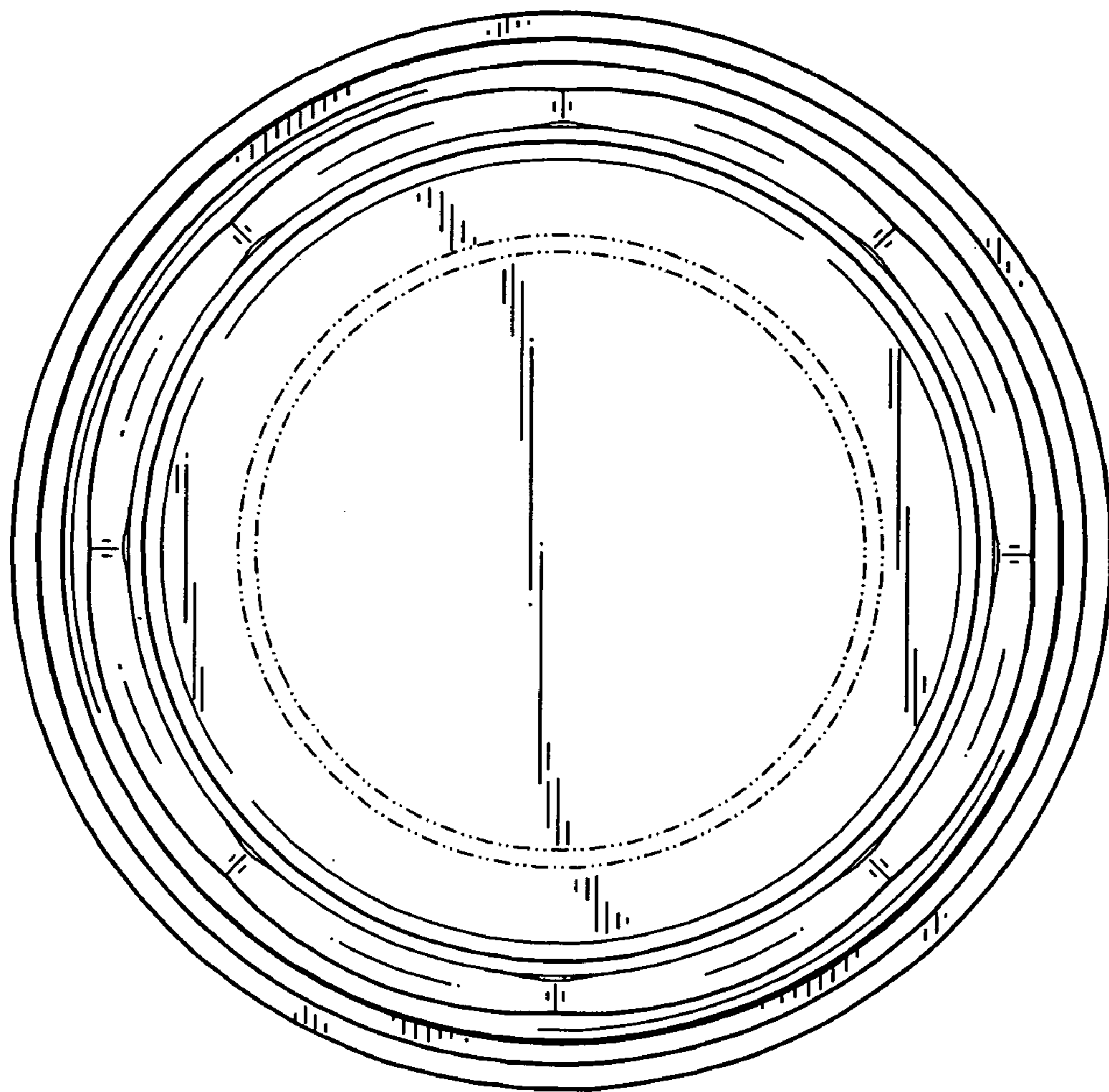
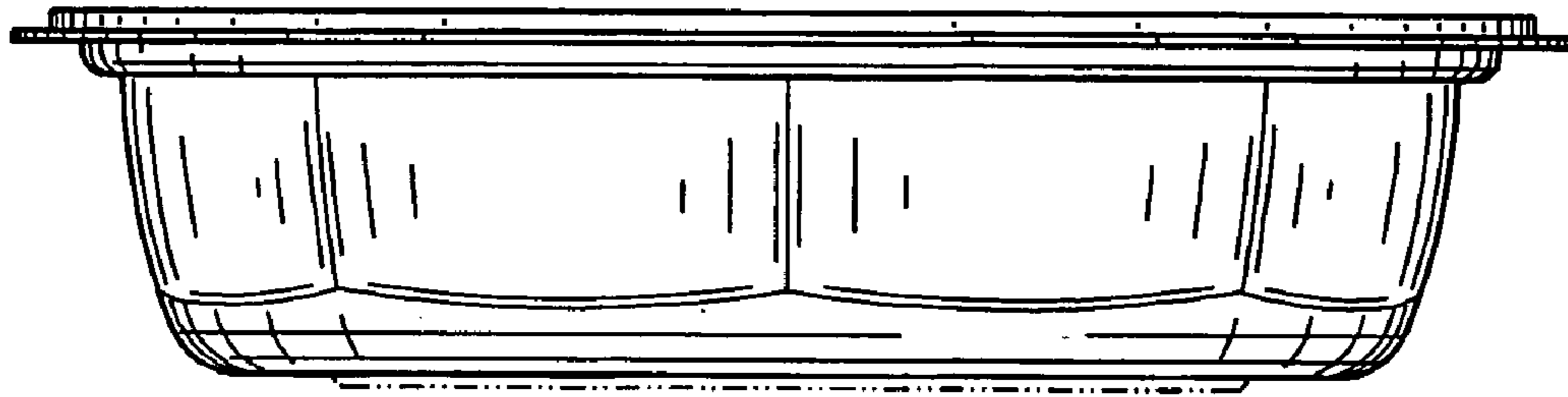


FIG. 4

FIG. 5

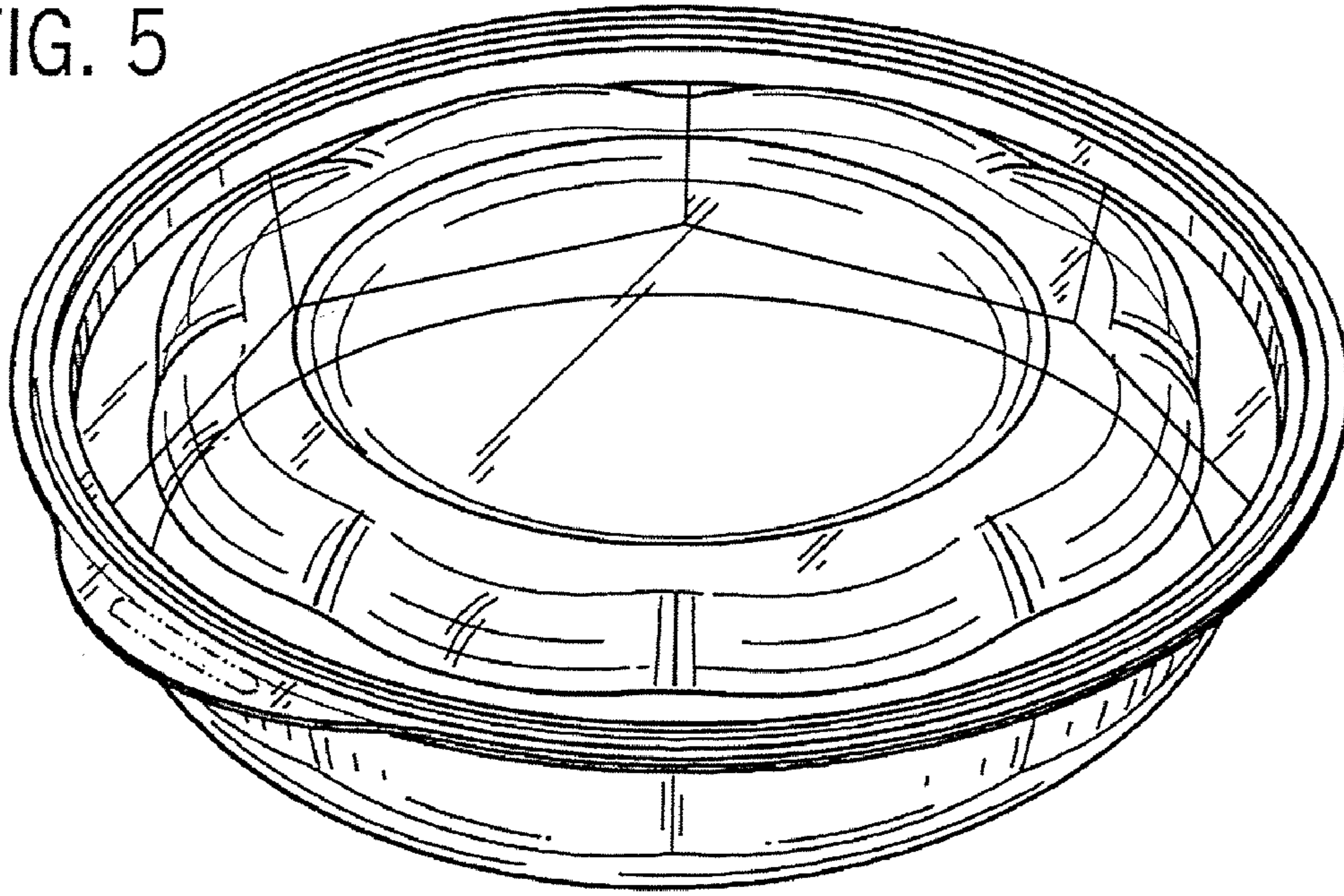


FIG. 6

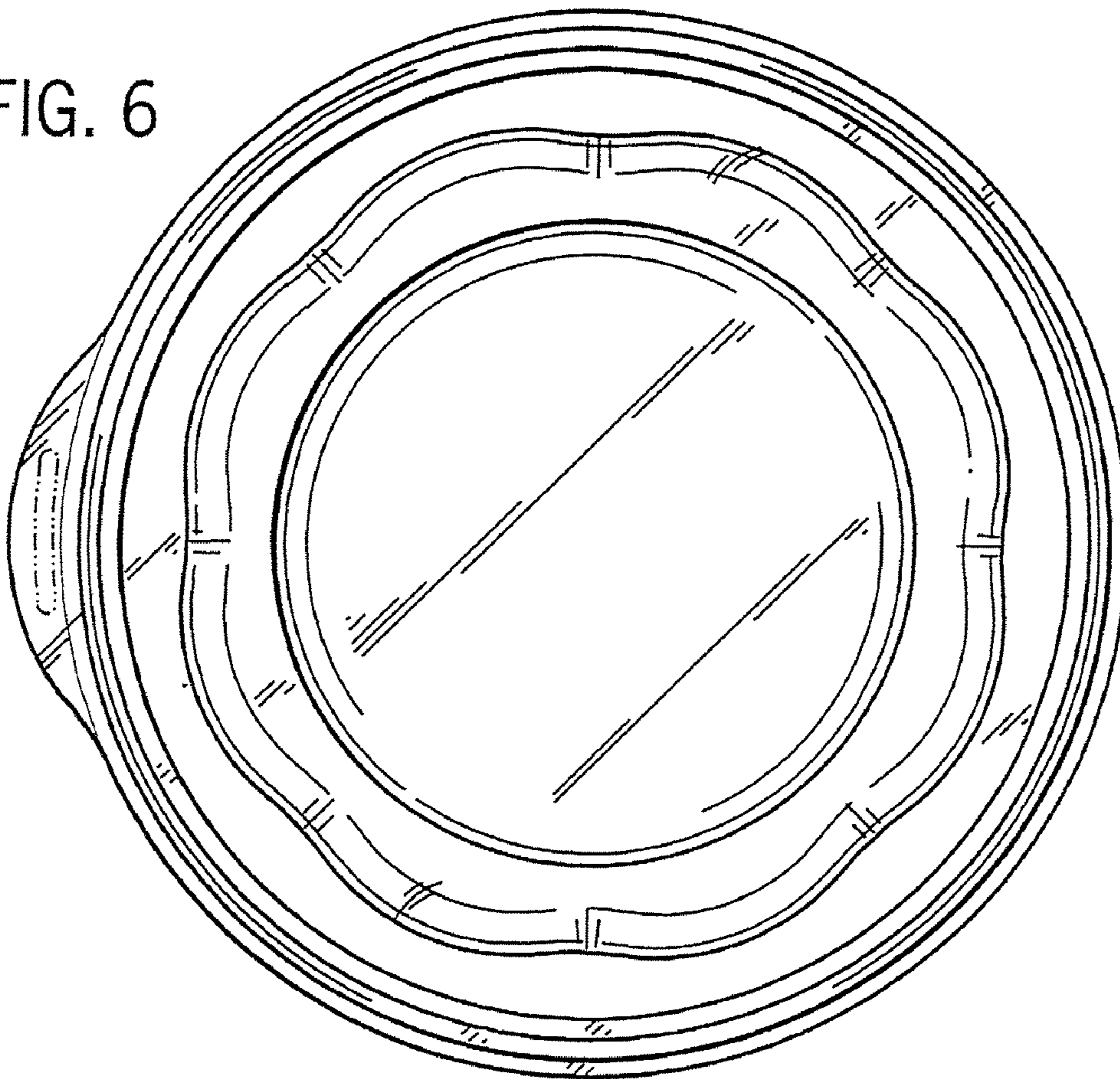


FIG. 7

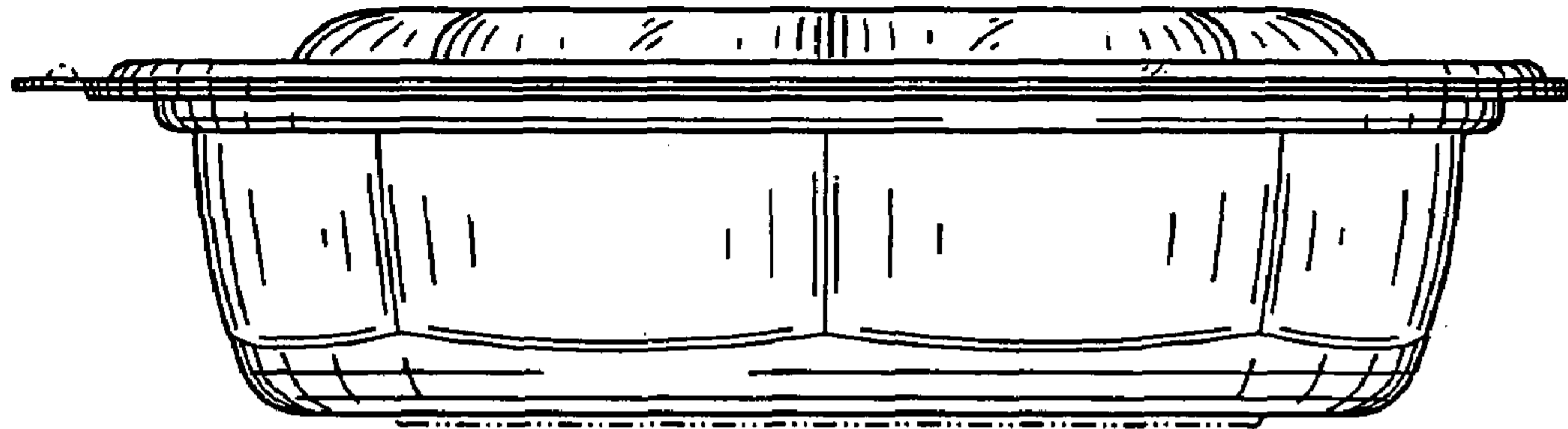


FIG. 8

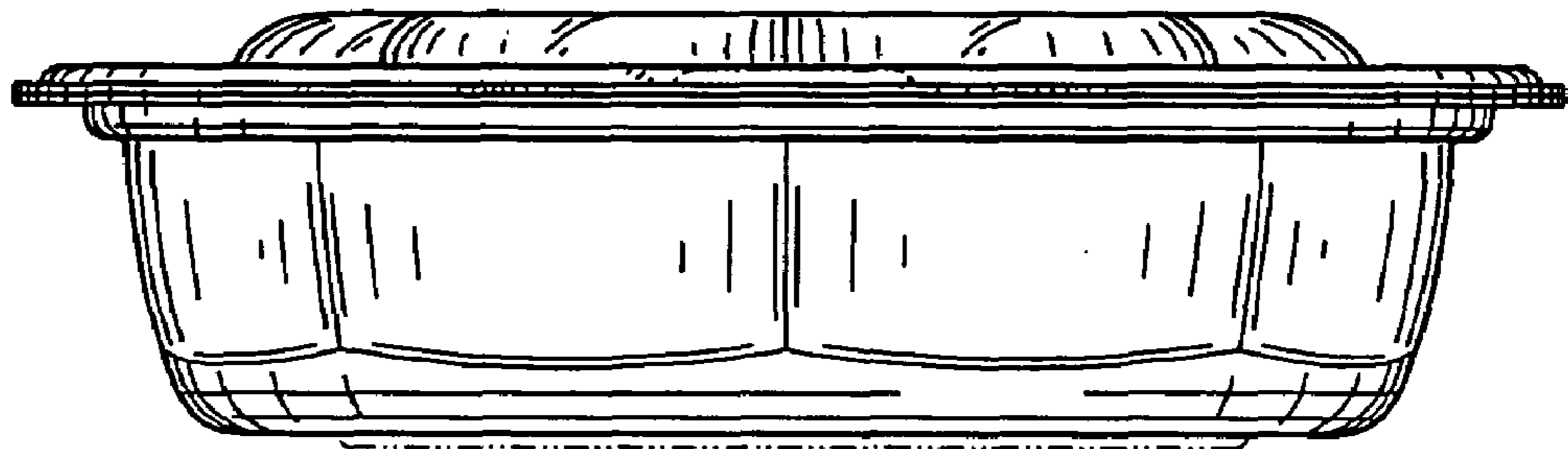
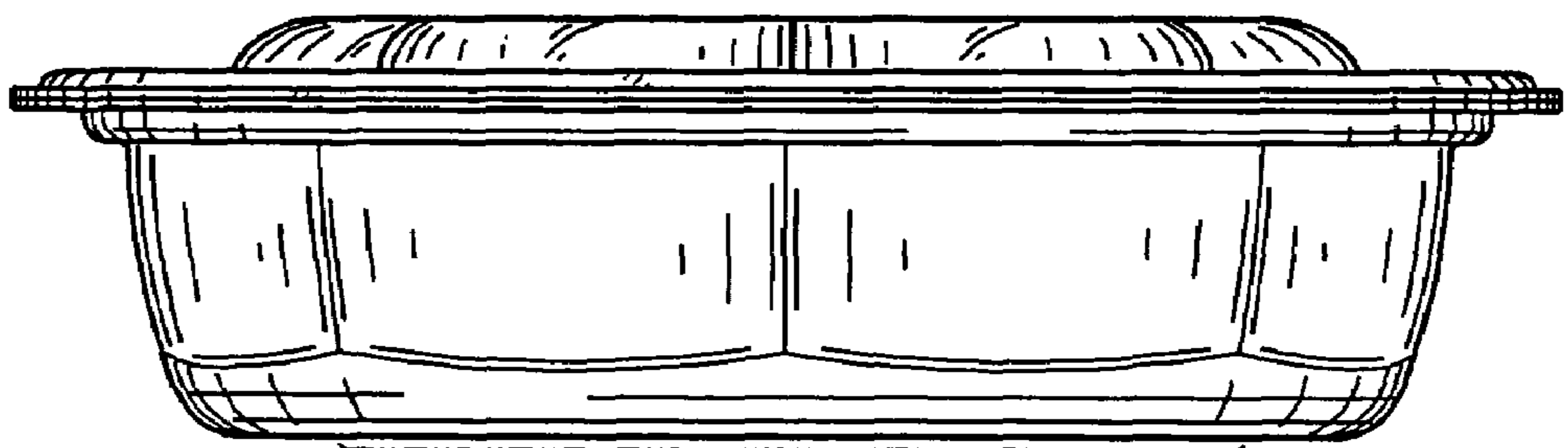


FIG. 9



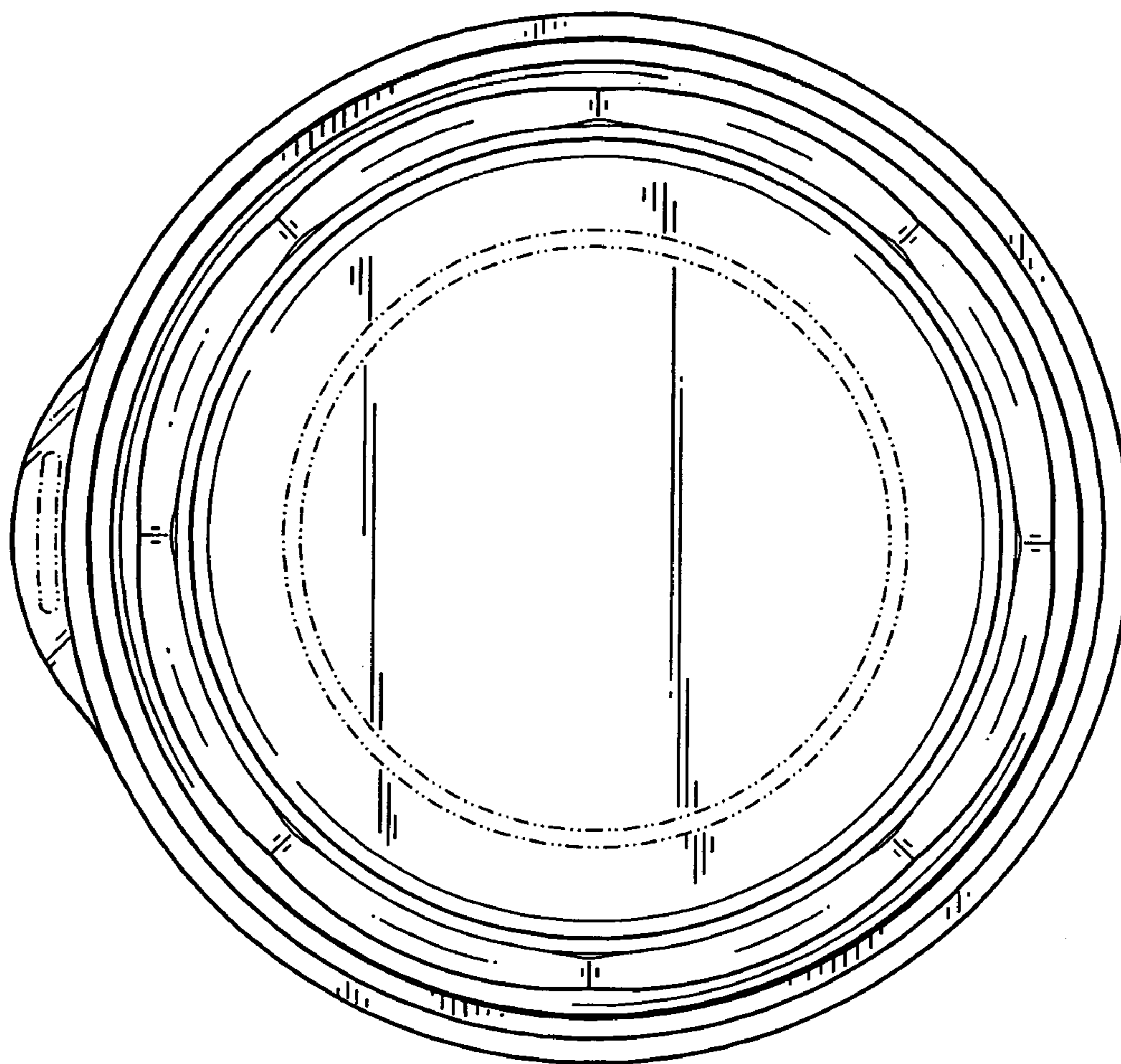


FIG. 10