



US00D545624S

(12) **United States Design Patent**  
**Tien**

(10) **Patent No.:** **US D545,624 S**

(45) **Date of Patent:** **\*\* Jul. 3, 2007**

(54) **TUMBLER**

OTHER PUBLICATIONS

(75) Inventor: **Kuang-Hsia Tien**, Pasadena, CA (US)

ST66 stainless steel/acrylic wave Tumbler with Stainless lid;http://web.archive.org/web/20050213232337/www.swedausa.com/frontend/Proddisp.asp?page=2&Co=10000663.\*

(73) Assignee: **Sweda Company, LLC**, Monrovia, CA (US)

\* cited by examiner

(\*\*) Term: **14 Years**

*Primary Examiner*—T. Chase Nelson

*Assistant Examiner*—Karen Acker

(21) Appl. No.: **29/236,944**

(74) *Attorney, Agent, or Firm*—Clement Cheng, Esq.

(22) Filed: **Aug. 24, 2005**

(57) **CLAIM**

(51) **LOC (8) Cl.** ..... **07-01**

The ornamental design for a tumbler, as shown and described.

(52) **U.S. Cl.** ..... **D7/523**

**DESCRIPTION**

(58) **Field of Classification Search** ..... D7/392–394, D7/509–511, 523, 531–533, 536, 605, 608, D7/619.1, 622, 624.2; 215/382, 384, 386–388, 215/392, 394, 396, 398, DIG. 7; 220/62.12, 220/592.17, 669, 696, 710, 710.5, 711, 713, 220/715, 719, 739

FIG. 1 is a front perspective view of the tumbler shown in condition of use with a broken line cap and handle.

FIG. 2 is a top view of the tumbler of FIG. 1.

FIG. 3 is a bottom view of the tumbler of FIG. 1.

FIG. 4 is a left side view of the tumbler of FIG. 1.

FIG. 5 is a right side view of the tumbler of FIG. 1.

FIG. 6 is a front view of the tumbler of FIG. 1.

FIG. 7 is a front perspective view of the tumbler of FIG. 1 but which is shown in an alternate condition of use with only a broken line cap.

FIG. 8 is a top view of the tumbler of FIG. 7.

FIG. 9 is a bottom view of the tumbler of FIG. 7.

FIG. 10 is a left side view of the tumbler of FIG. 7; and,

FIG. 11 is a right side view of the tumbler of FIG. 7.

All broken lines are for illustrative purposes only and form no part of the claimed design.

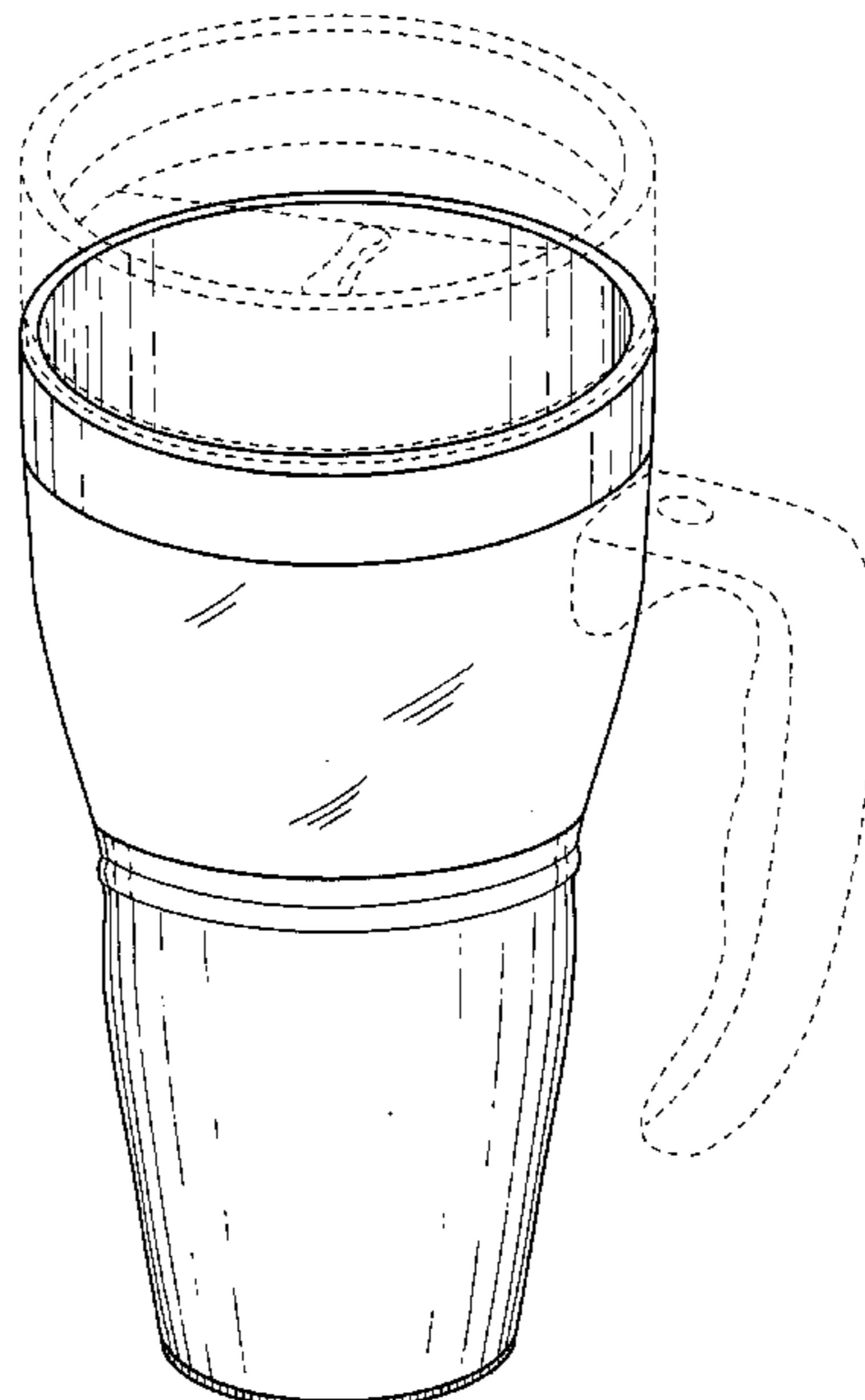
See application file for complete search history.

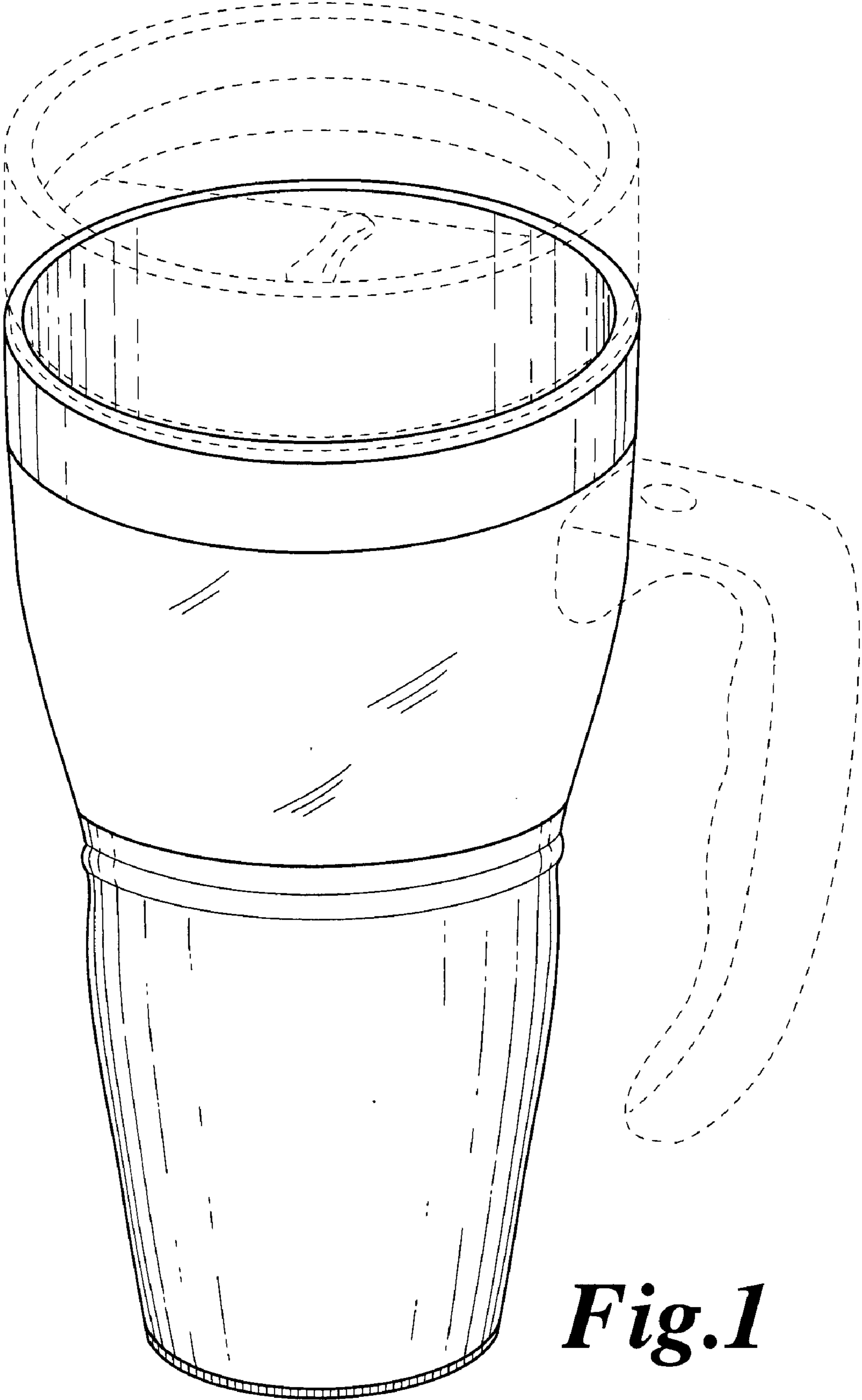
(56) **References Cited**

U.S. PATENT DOCUMENTS

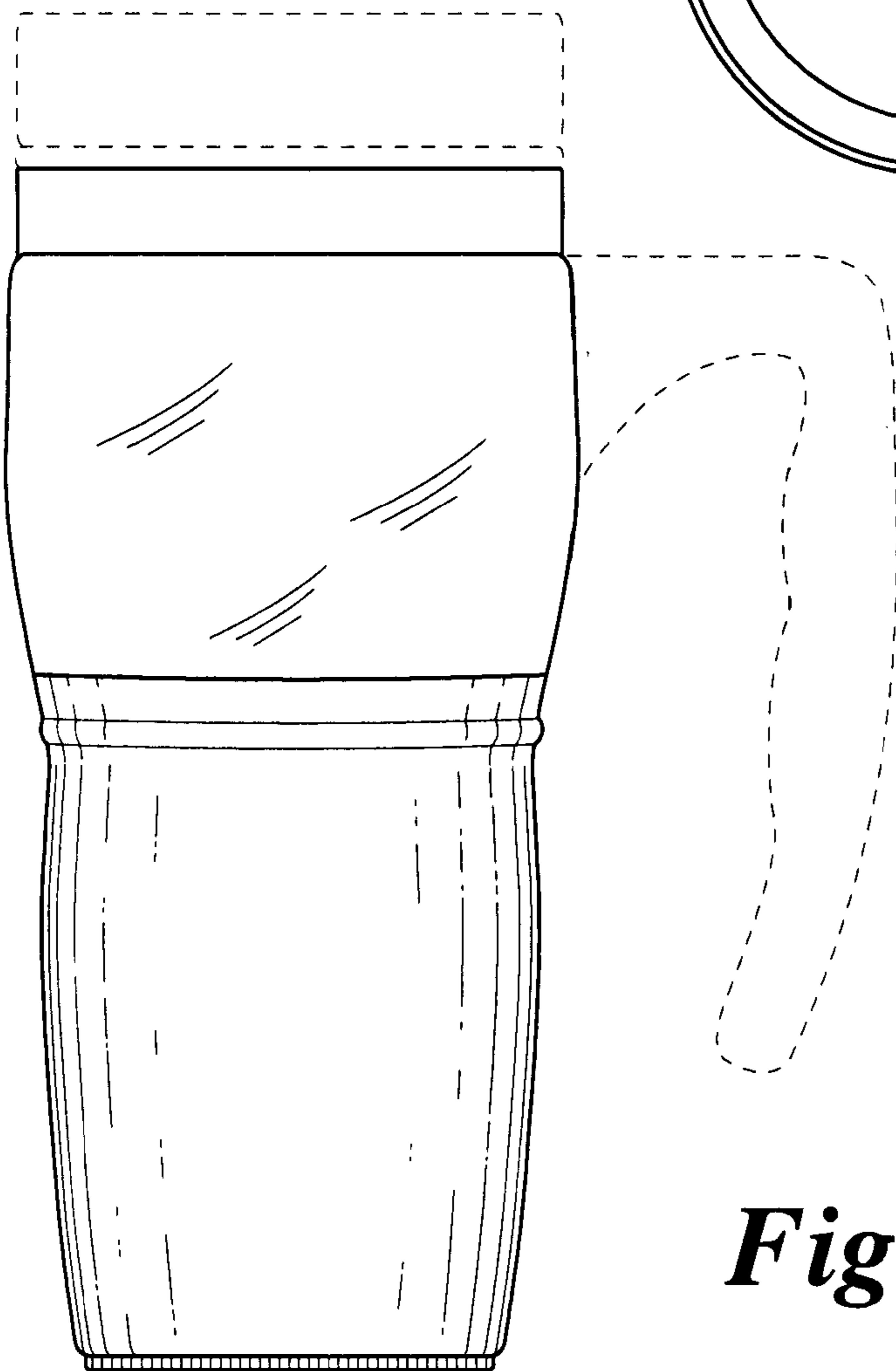
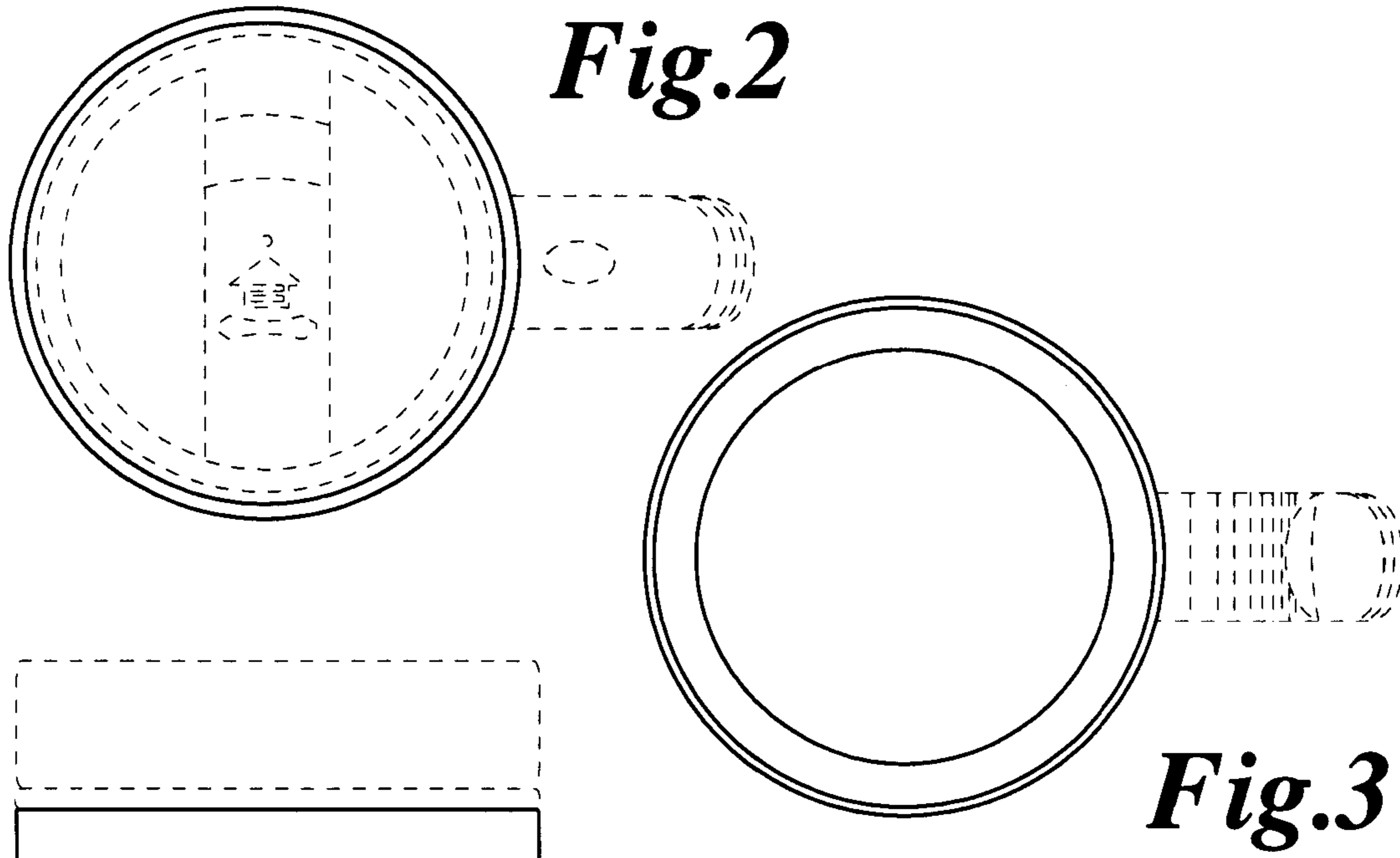
D408,221 S *	4/1999	Asberg	.....	D7/511
D433,599 S *	11/2000	Kristiansen et al.	.....	D7/523
D436,296 S *	1/2001	Freed	.....	D7/523
D442,030 S *	5/2001	Freed	.....	D7/523
D447,693 S *	9/2001	Warner et al.	.....	D9/776
D462,576 S *	9/2002	Janky	.....	D7/510
D464,849 S *	10/2002	Norris et al.	.....	D7/523
D471,764 S *	3/2003	Janky	.....	D7/510
D477,183 S *	7/2003	Janky	.....	D7/509
D479,437 S *	9/2003	Gluck	.....	D7/523
D480,267 S *	10/2003	Freed et al.	.....	D7/510
D483,995 S *	12/2003	Otake	.....	D7/523
D494,011 S *	8/2004	Janky et al.	.....	D7/533

**1 Claim, 5 Drawing Sheets**

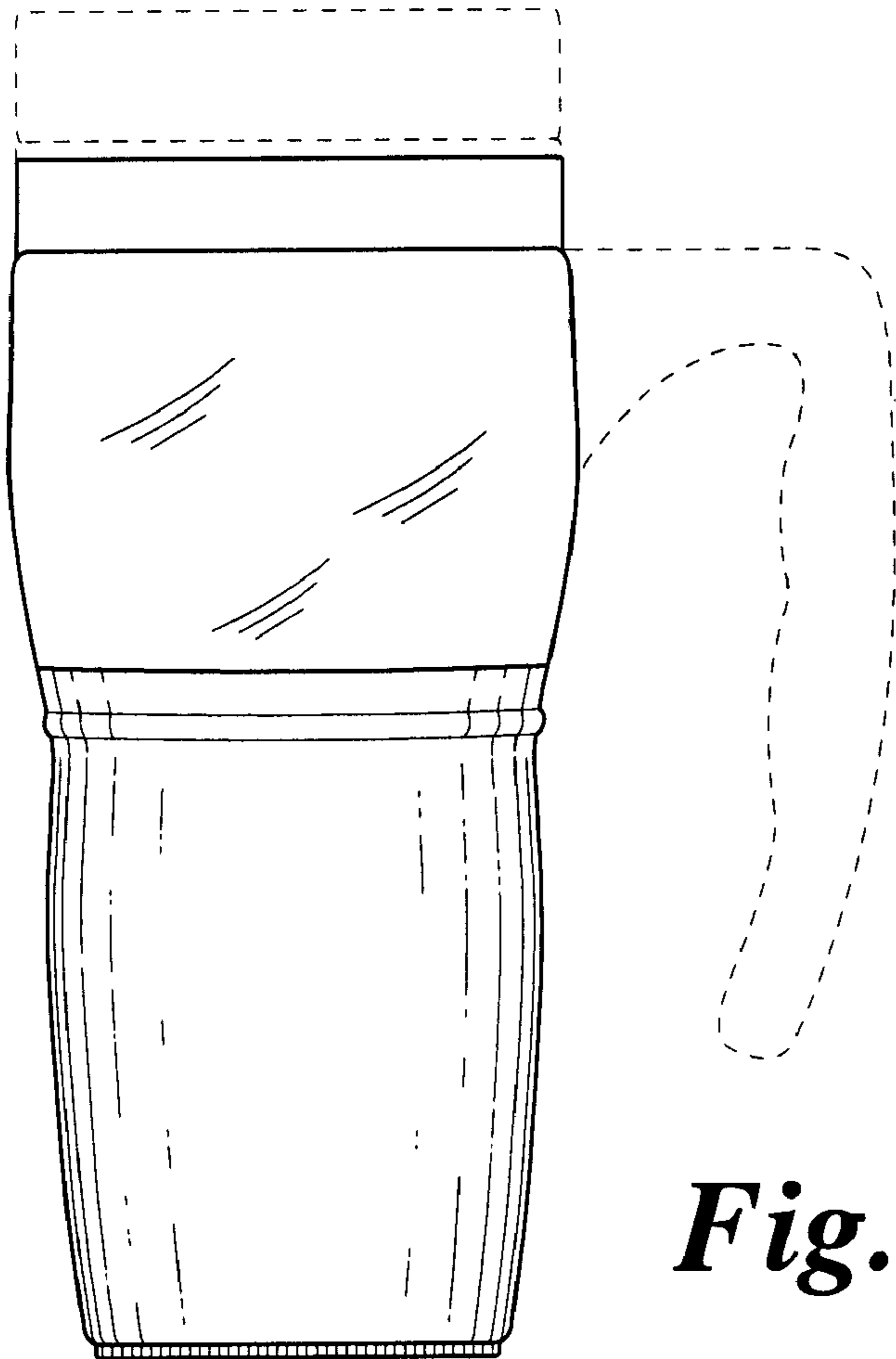
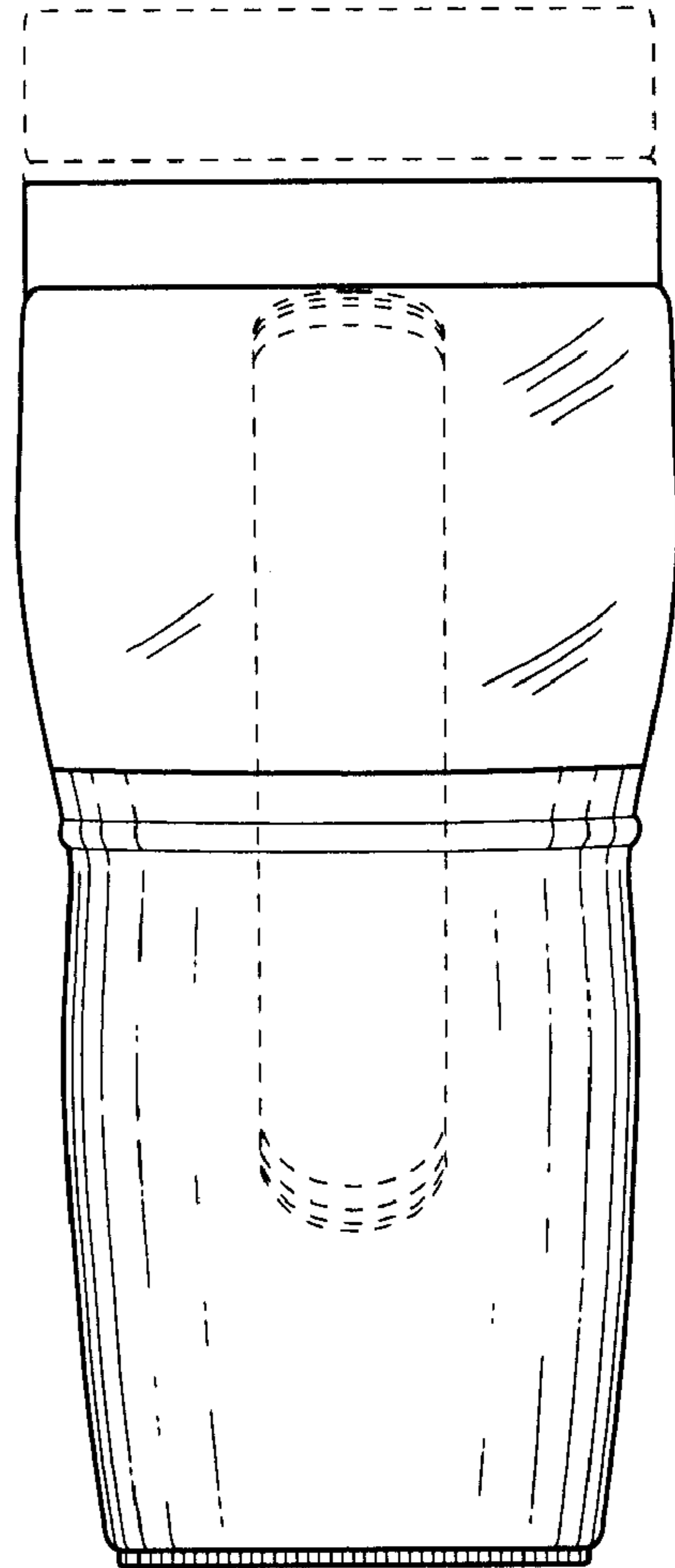




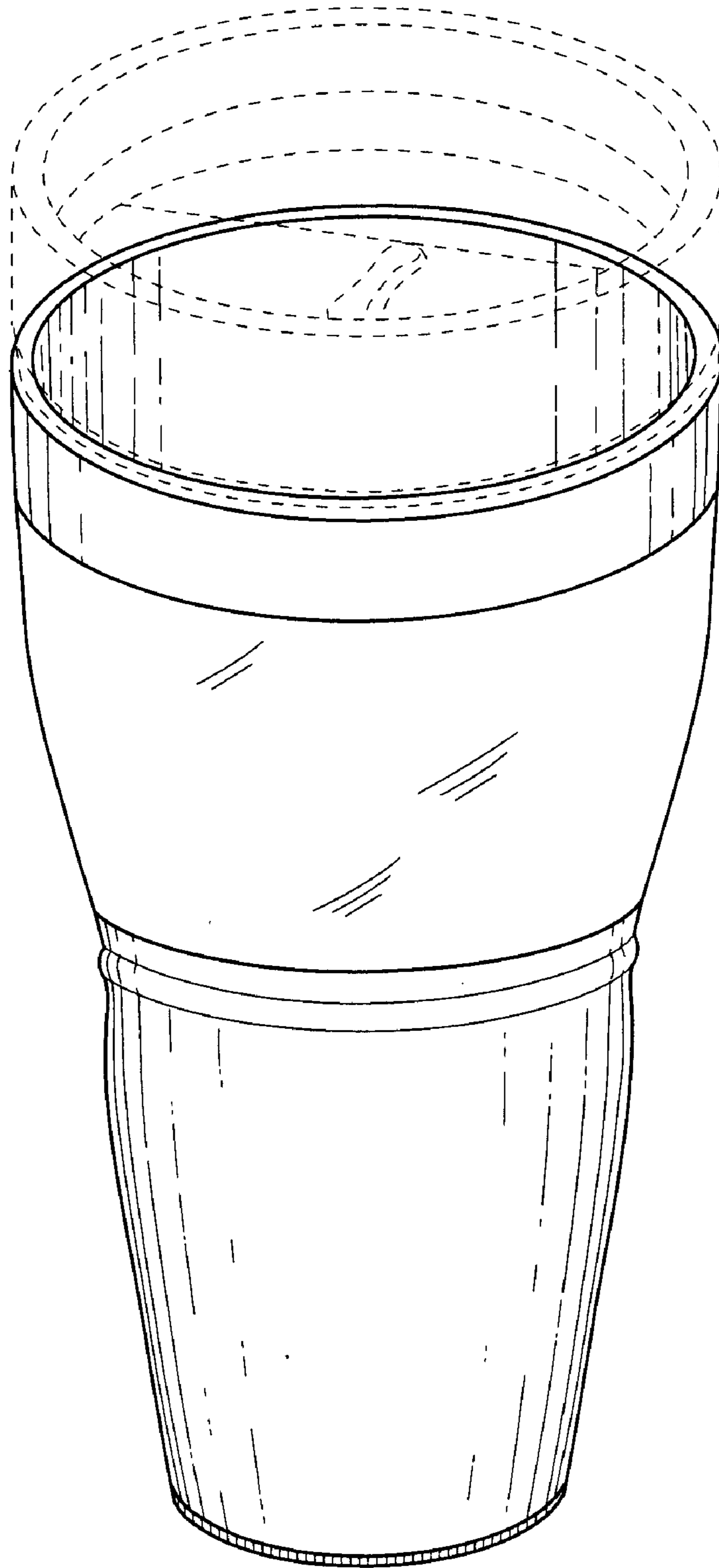
***Fig.1***



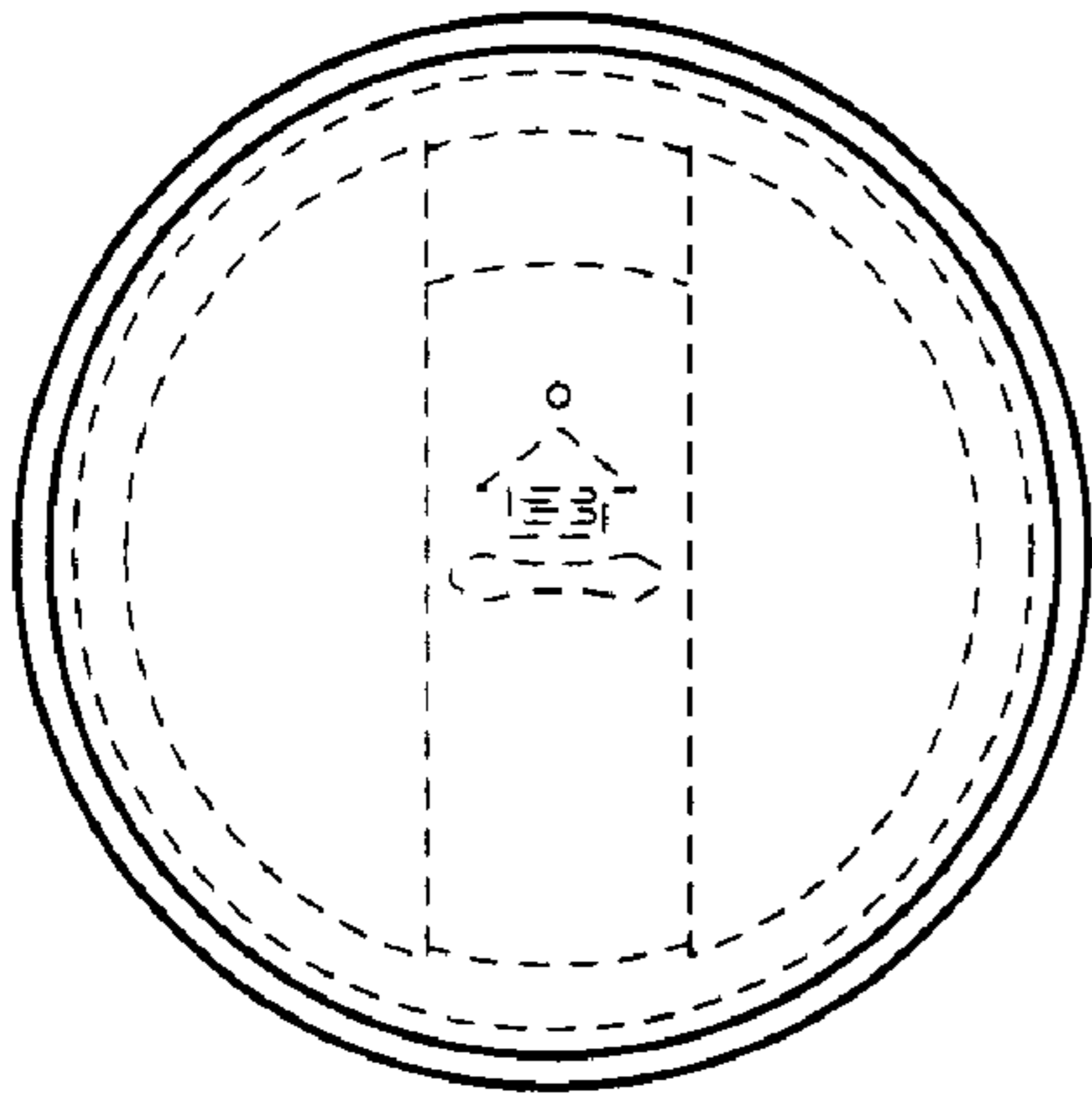
***Fig.5***



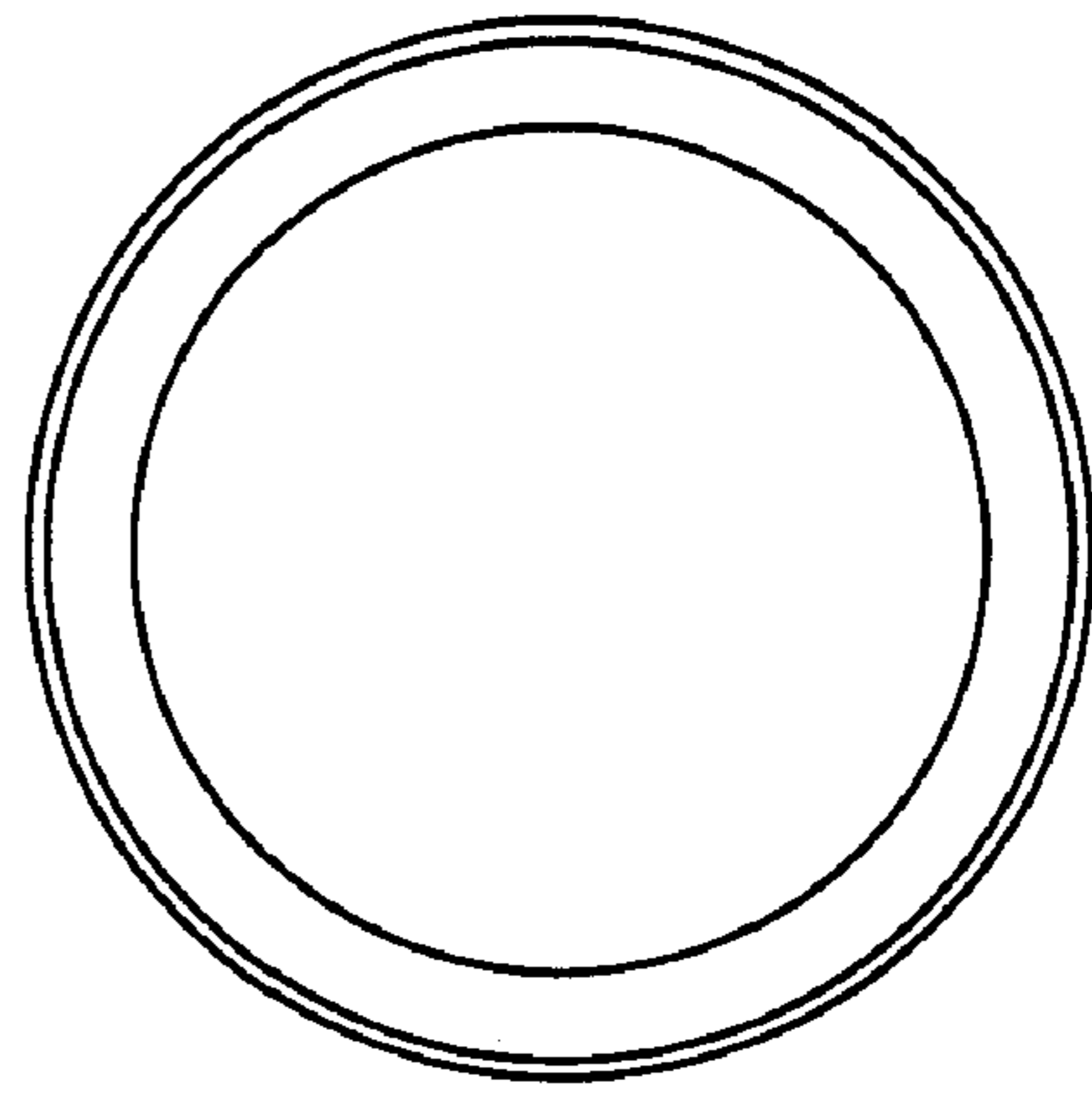
***Fig.6***



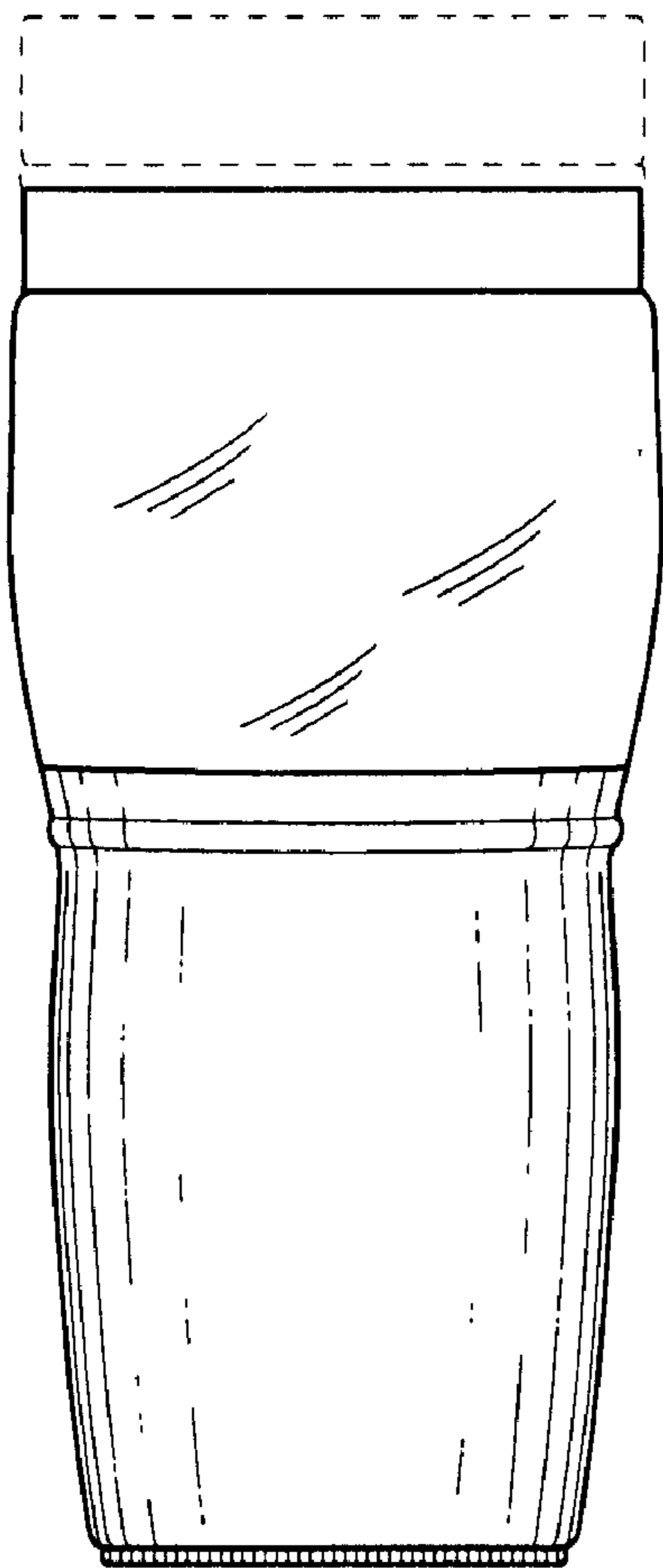
***Fig.7***



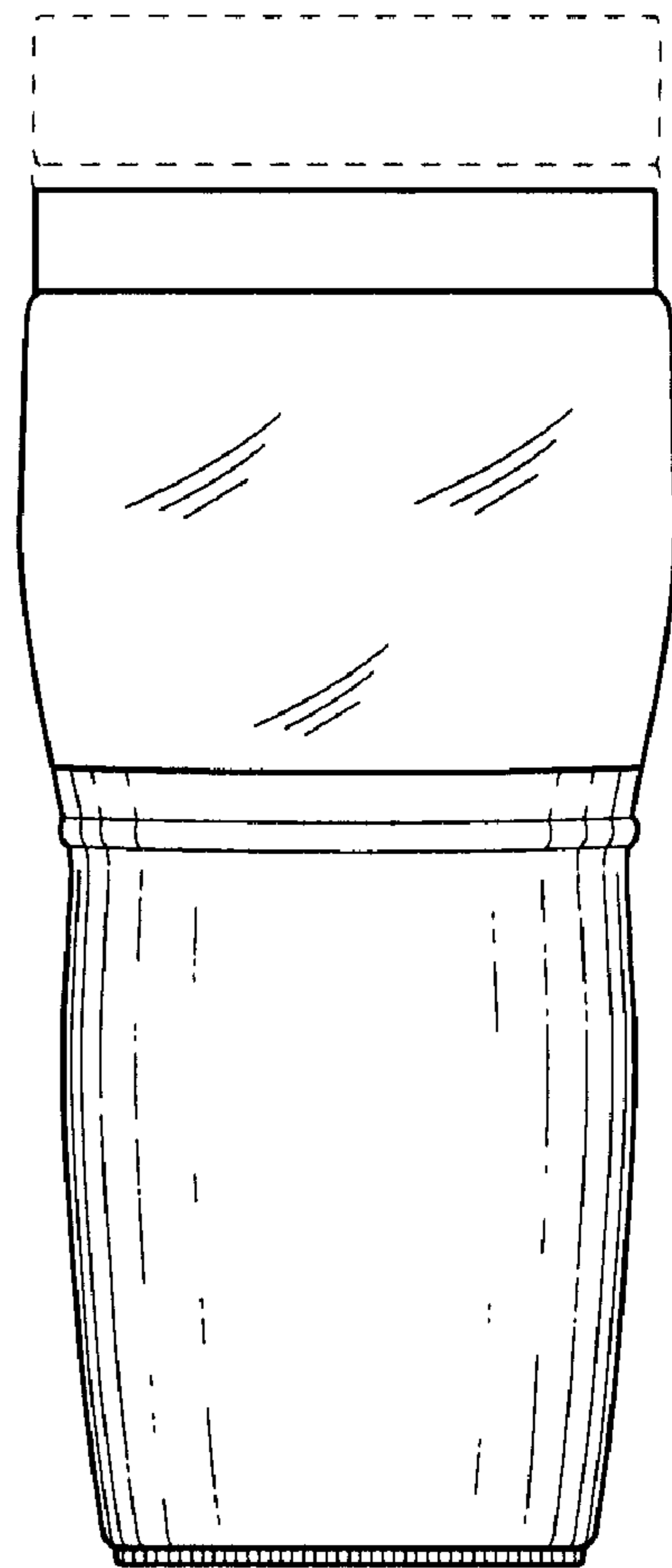
***Fig.8***



***Fig.9***



***Fig.10***



***Fig.11***