



US00D545619S

(12) **United States Design Patent**
Jalet

(10) **Patent No.:** **US D545,619 S**

(45) **Date of Patent:** **** Jul. 3, 2007**

(54) **COVER FOR CONTAINER**

(75) Inventor: **Vincent Jalet**, Brussels (BE)

(73) Assignee: **Dart Industries Inc.**, Orlando, FL (US)

(**) Term: **14 Years**

(21) Appl. No.: **29/257,592**

(22) Filed: **Apr. 6, 2006**

(51) **LOC (8) Cl.** **07-02**

(52) **U.S. Cl.** **D7/392**

(58) **Field of Classification Search** D7/316-319,
D7/391-392.1, 396.2, 510-511, 538, 540-542,
D7/629; D9/435, 440, 444, 447, 449-450,
D9/454, 503-504; 215/211, 200, 224; 220/700,
220/701, 703, 711, 713-715, 719
See application file for complete search history.

(56) **References Cited**

U.S. PATENT DOCUMENTS

- D314,708 S * 2/1991 DeCoster D9/449
- D374,590 S * 10/1996 Ahern, Jr. D7/392.1
- D382,769 S * 8/1997 Jeppesen et al. D7/392.1
- D411,408 S * 6/1999 Ahern et al. D7/392
- D417,583 S * 12/1999 Demore D7/392.1
- D418,364 S * 1/2000 Demore D7/392.1

- D456,713 S * 5/2002 Bried et al. D9/449
- D506,639 S 6/2005 Jalet
- D511,655 S * 11/2005 Kim D7/629
- D525,825 S * 8/2006 Heiberg et al. D7/392

* cited by examiner

Primary Examiner—Holly H. Baynham

Assistant Examiner—Cynthia M. Chin

(74) *Attorney, Agent, or Firm*—John A. Doninger

(57) **CLAIM**

The ornamental design for a cover for container, as shown and described.

DESCRIPTION

FIG. 1 is a top, side and front perspective view of a cover for container showing the new design;

FIG. 2 is a front elevation view thereof;

FIG. 3 is a rear elevation view thereof;

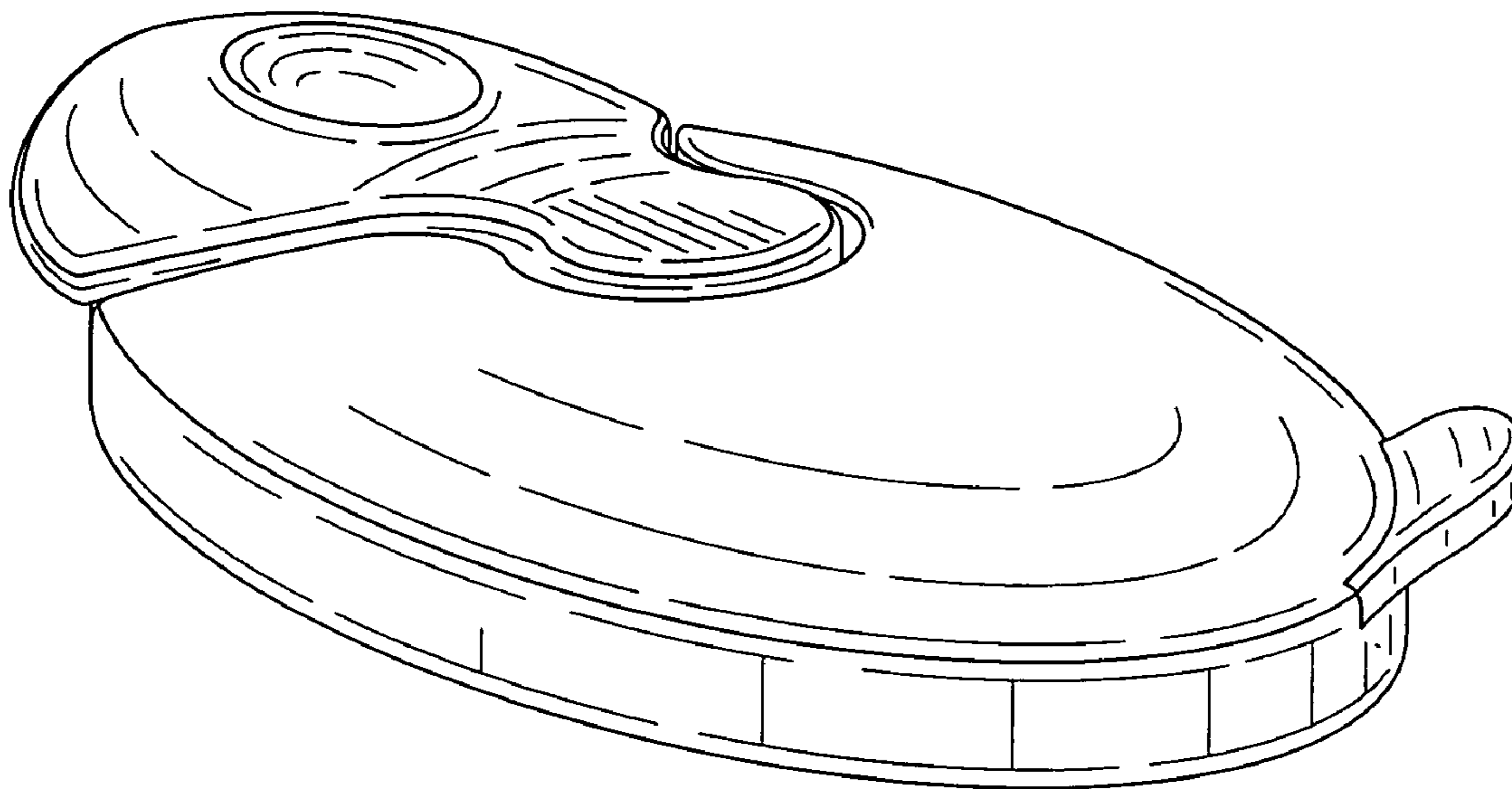
FIG. 4 is a right side elevation view thereof;

FIG. 5 is a left side elevation view thereof;

FIG. 6 is a top plan view thereof; and,

FIG. 7 is a bottom plan view thereof.

1 Claim, 3 Drawing Sheets



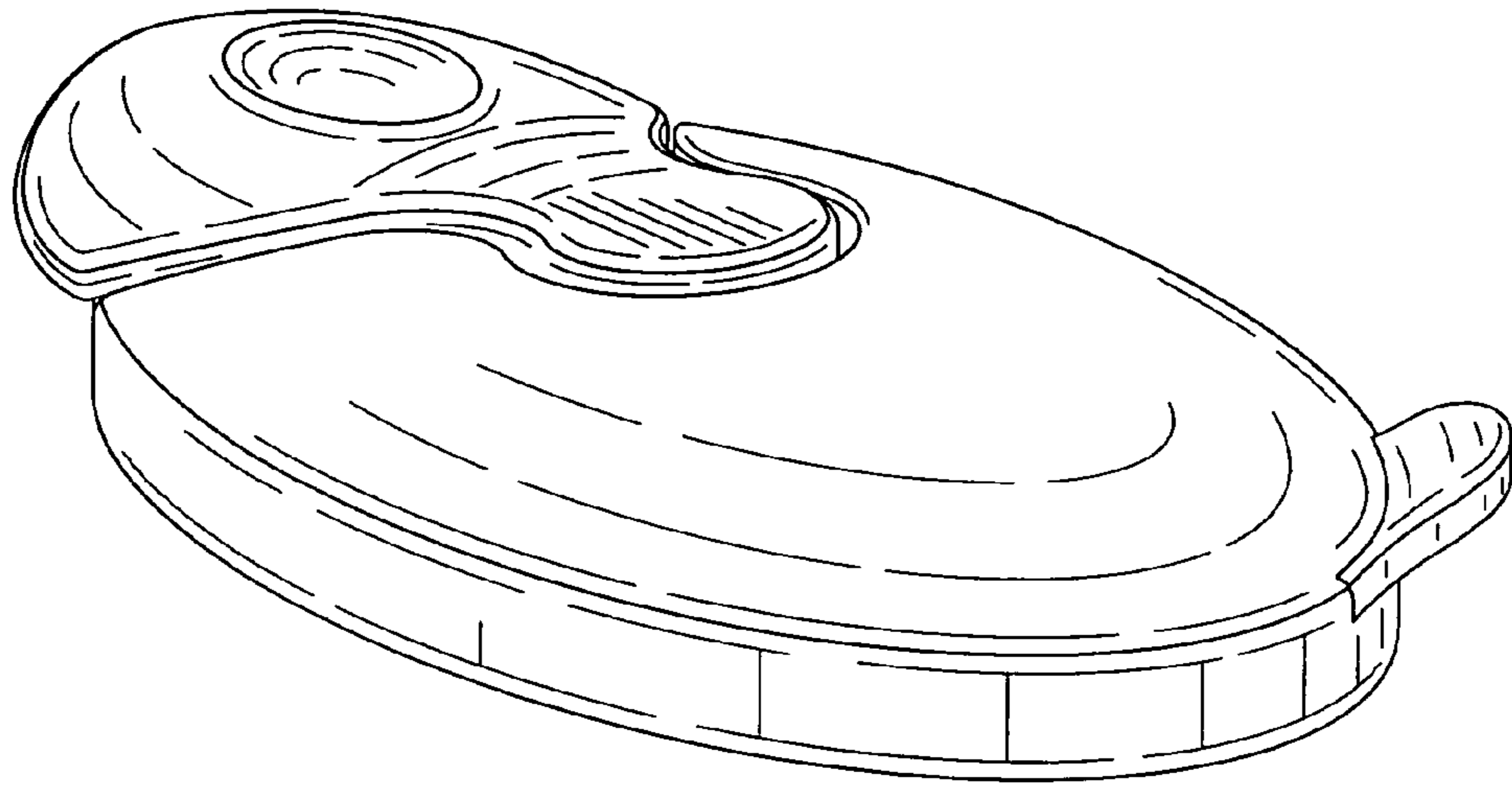


FIG. 1

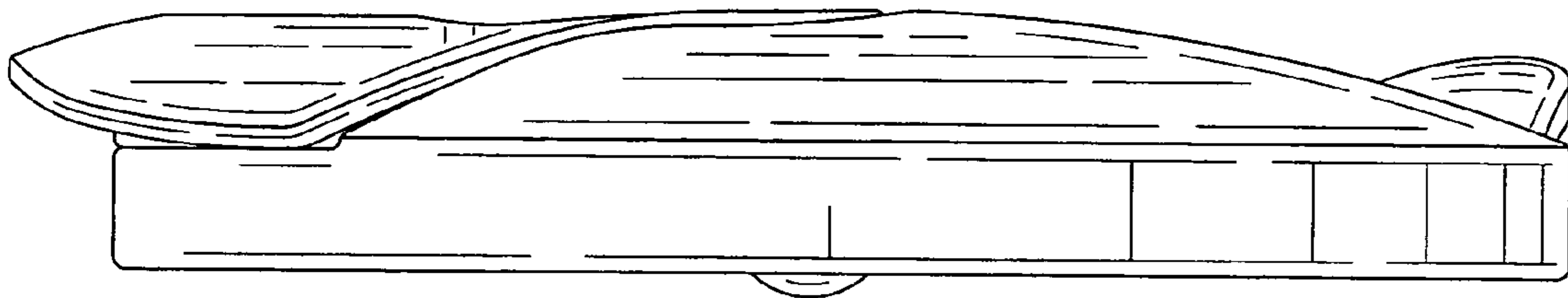


FIG. 2

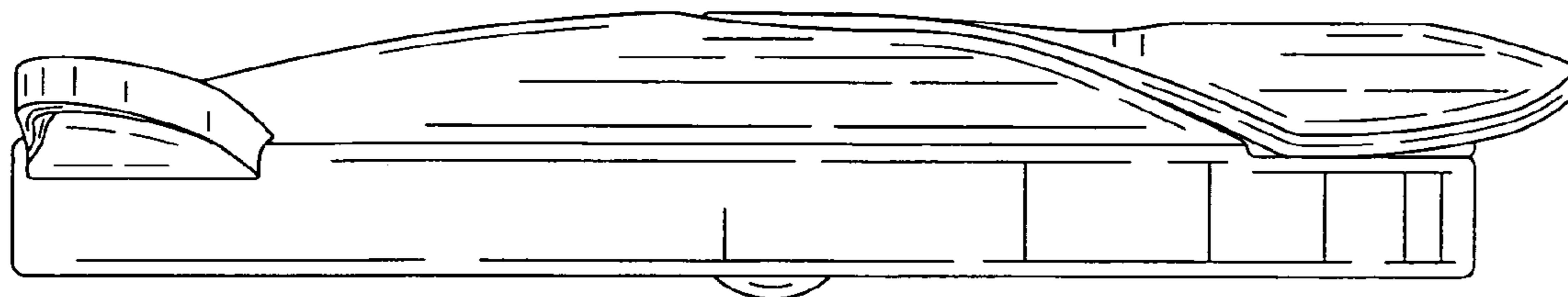


FIG. 3

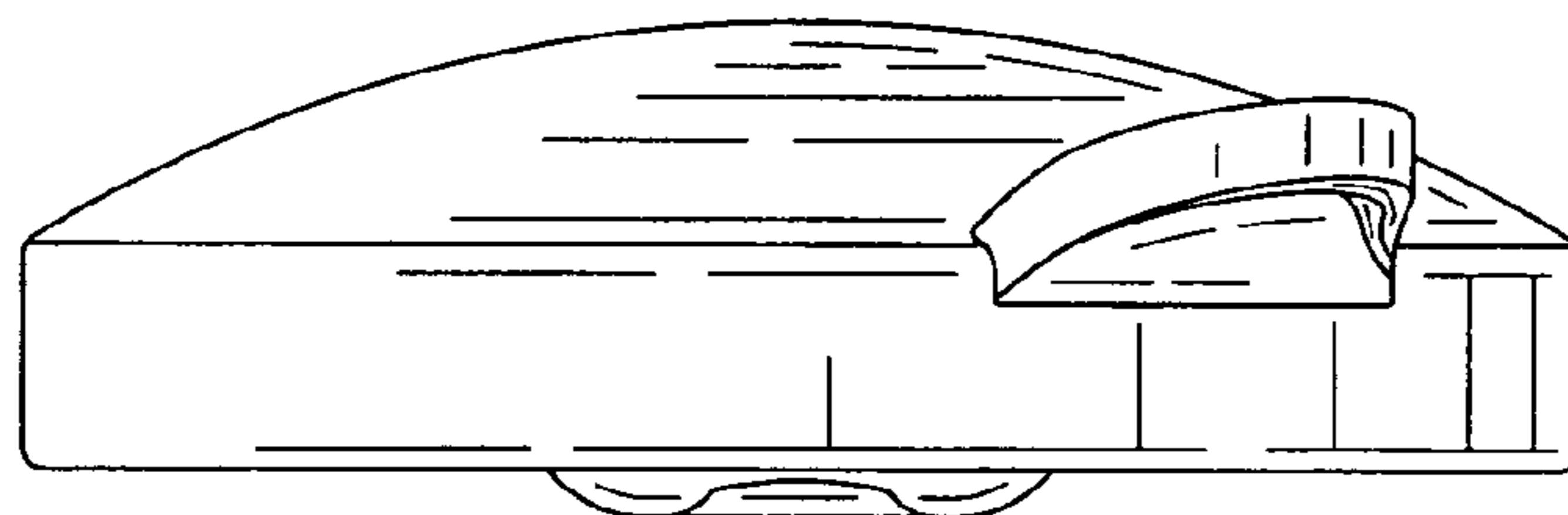


FIG. 4

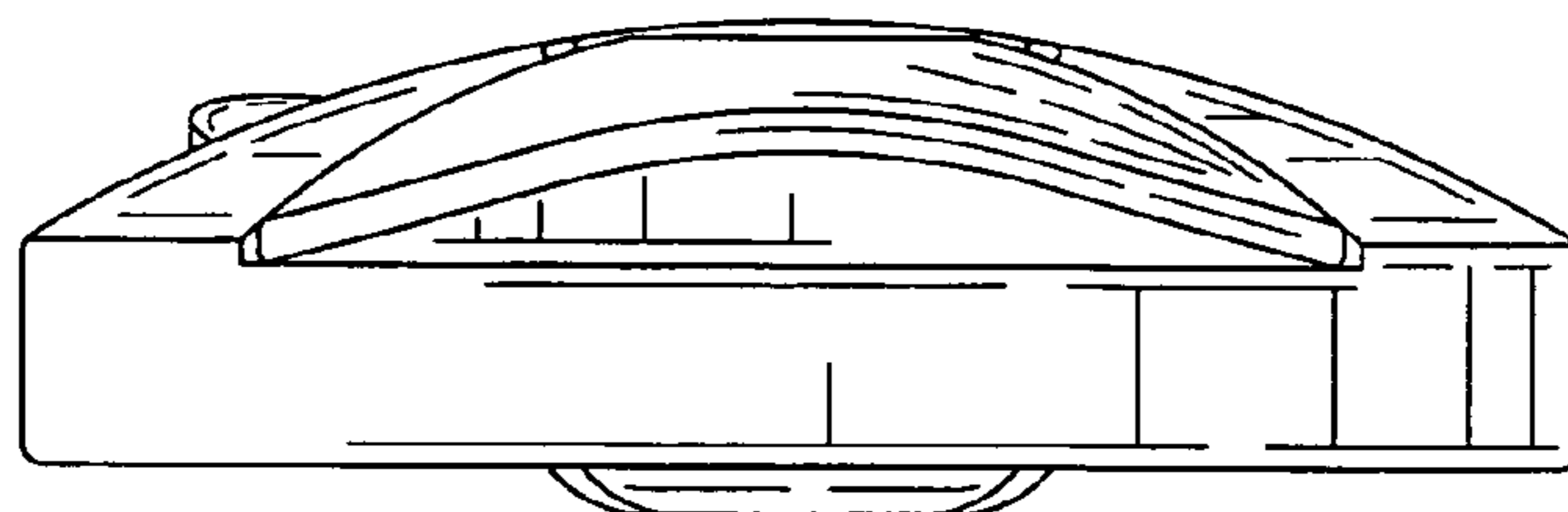


FIG. 5

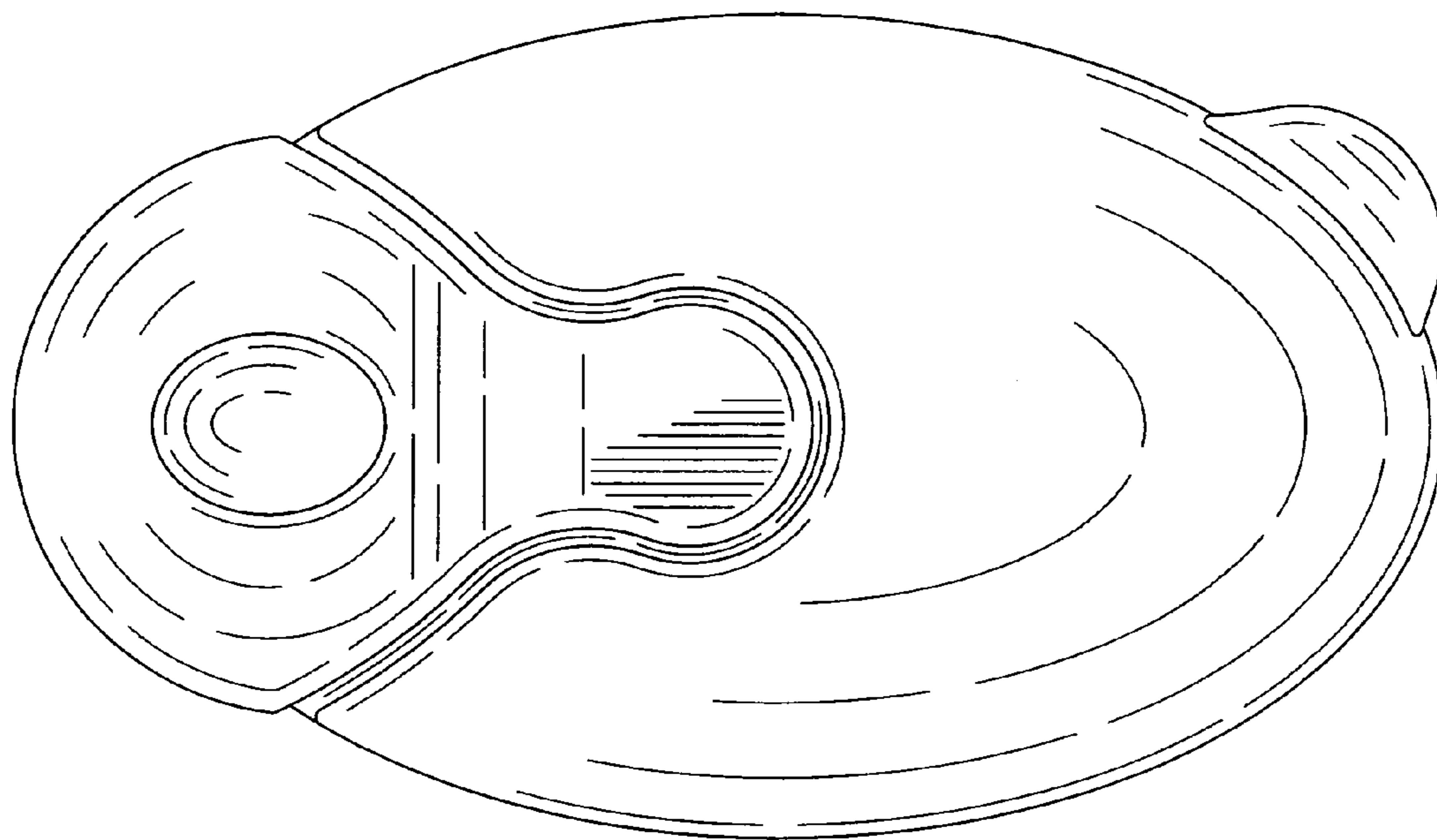


FIG. 6

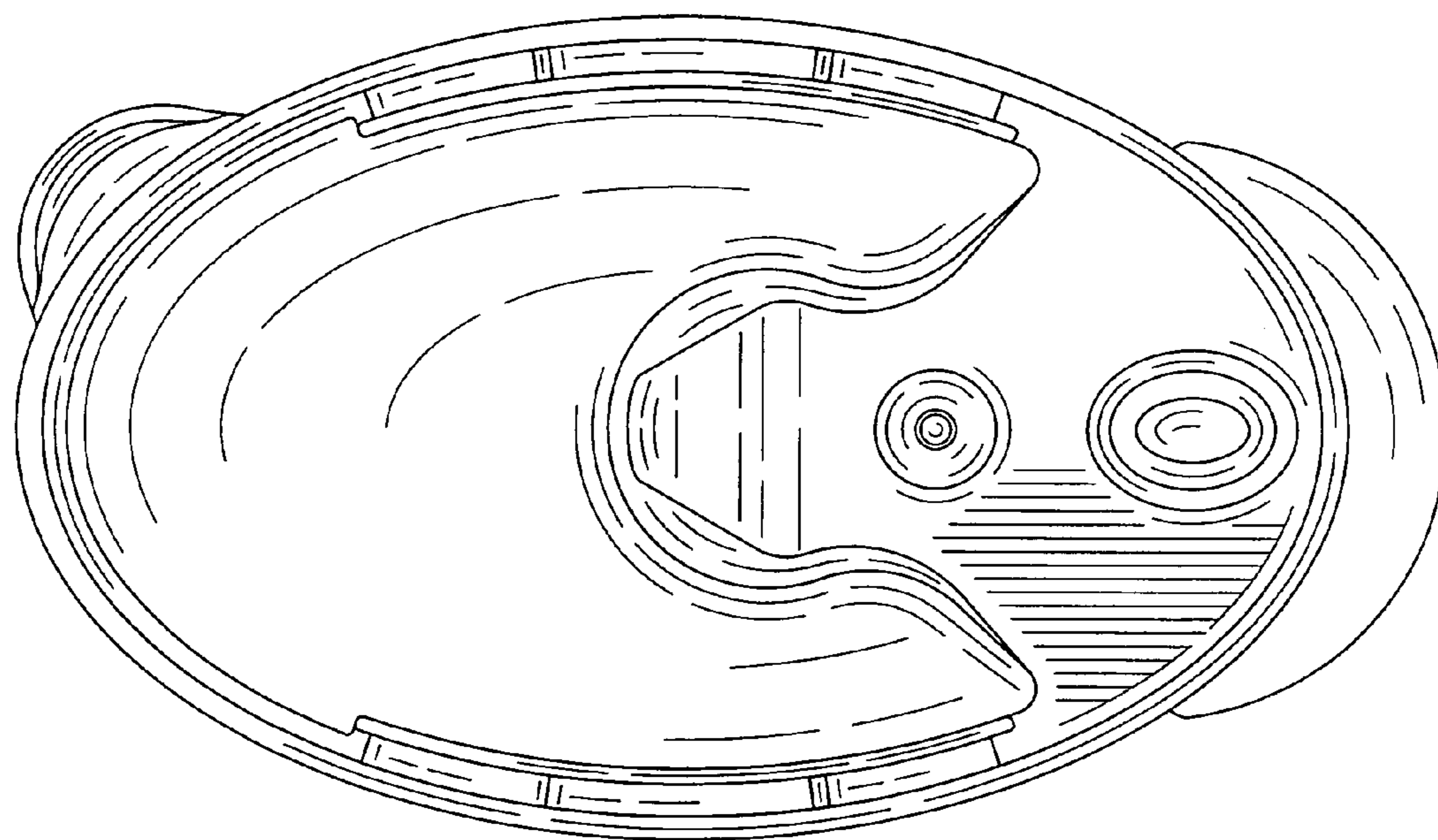


FIG. 7