

US00D545617S

(12) **United States Design Patent** (10) **Patent No.:** **US D545,617 S**
Wasserman et al. (45) **Date of Patent:** **** Jul. 3, 2007**

(54) **FOOD PAN COVER**

(75) Inventors: **David M. Wasserman**, Whitefish Bay, WI (US); **John A. Wojcik**, Sheboygan, WI (US); **Ronald E. Bratton**, Fort Wayne, IN (US); **William C. Lindeman**, Marshall, WI (US); **Cory R. Boudreau**, Madison, WI (US); **David E. Barnard**, Saint Paul, MN (US)

(73) Assignee: **The Vollrath Company, L.L.C.**, Sheboygan, WI (US)

(**) Term: **14 Years**

(21) Appl. No.: **29/209,353**

(22) Filed: **Jul. 14, 2004**

(51) **LOC (8) Cl.** **07-02**

(52) **U.S. Cl.** **D7/391**

(58) **Field of Classification Search** D7/323, D7/354-361, 365-367, 388, 391, 601-610, D7/538, 542, 392.1; D9/423-430, 435, 524, D9/443; 219/429-438, 620-622; 220/252, 220/573.1, 573.2-573; 126/263, 390, 261; 248/147; 206/219-222; 99/324, 339, 340, 99/357; D12/213; D34/4-7, 10-11; 426/110-115
See application file for complete search history.

(56) **References Cited**

U.S. PATENT DOCUMENTS

D26,706 S *	3/1897	Eagle	D7/391
D29,879 S	12/1898	Wojidkow		
D42,277 S	3/1912	Farr		
D50,645 S *	4/1917	Brock	D7/391
D91,774 S	3/1934	Fukal		
D95,877 S *	6/1935	Van Doren et al.	D9/443
D115,298 S *	6/1939	Platt	D7/360
D121,575 S *	7/1940	Russell	D7/391

D146,832 S *	5/1947	O'Connell	D7/355
D150,157 S	7/1948	O'Connell		
D160,649 S *	10/1950	Muller-Munk	D7/391
D168,905 S *	2/1953	O'Connell	D7/355
D169,166 S	3/1953	O'Connell		
D176,993 S	2/1956	O'Connell		
D189,469 S	12/1960	Fischer		
D193,920 S	10/1962	Curtis		

(Continued)

OTHER PUBLICATIONS

Halco, Harold Leonard & Co. Inc., Jan. 2, 2002, Deluxe Round Rolltop Chafer, Item # RD400RTA, Deluxe Rolltop Chafer, Item # HL400RTA.*

(Continued)

Primary Examiner—Cathron C. Brooks

Assistant Examiner—Ricky Pham

(74) *Attorney, Agent, or Firm*—Foley & Lardner LLP

(57) **CLAIM**

We claim the ornamental design for a food pan cover, as shown and described.

DESCRIPTION

FIG. 1 is a top perspective view of a food pan cover showing our new design;

FIG. 2 is a top plan view thereof;

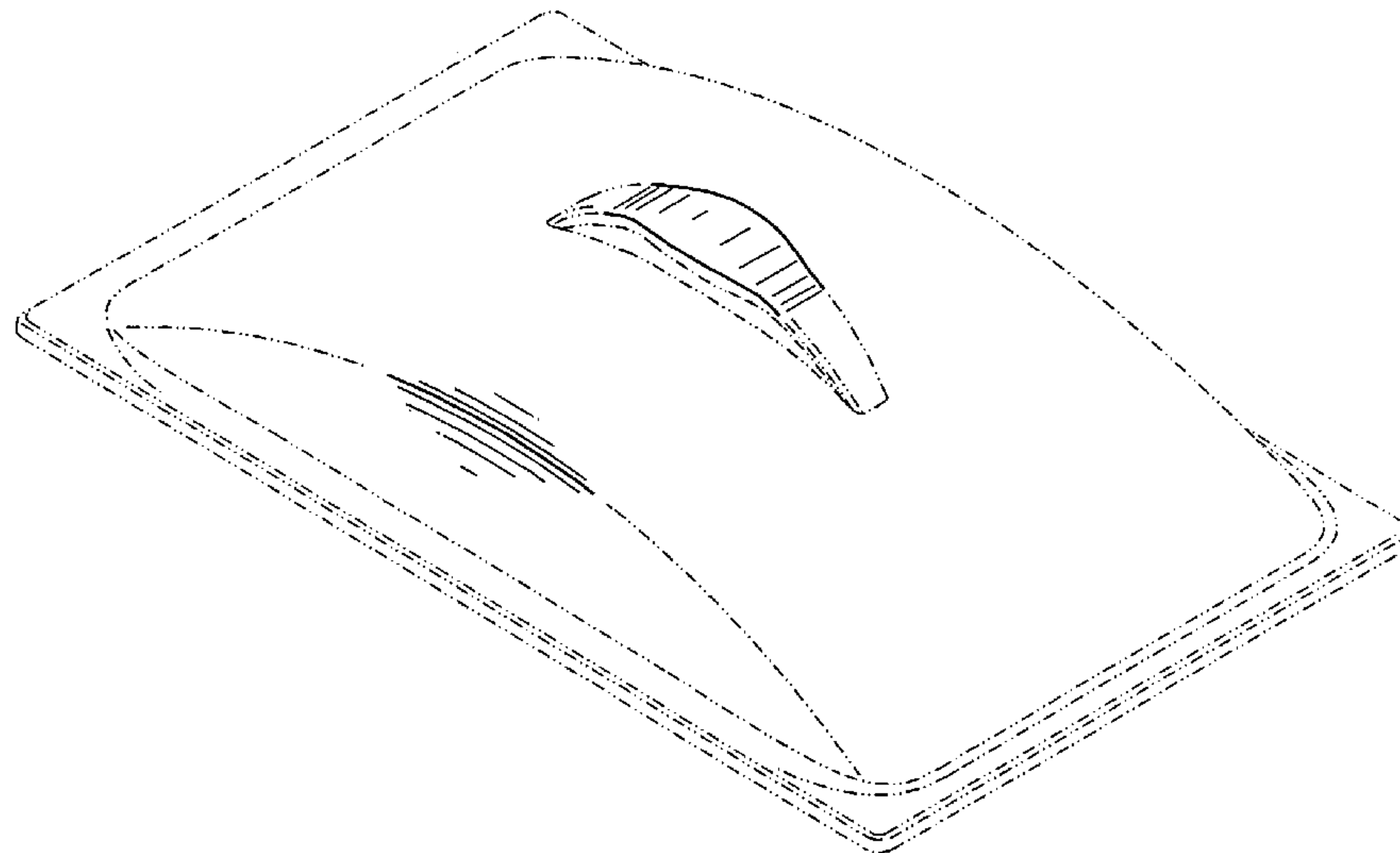
FIG. 3 is a front elevational view thereof;

FIG. 4 is a right end elevation view thereof; the left end elevation view being a mirror image; and,

FIG. 5 is a rear elevational view thereof.

The ornamental design which is claimed is shown in solid lines in the drawings. The broken lines in the drawings are for illustrative purposes only and form no part of the claimed design.

1 Claim, 3 Drawing Sheets



U.S. PATENT DOCUMENTS

D201,197	S	5/1965	Davis, Jr.	
D203,549	S	1/1966	Hvale	
3,361,126	A *	1/1968	Bloomfield	126/261
D213,717	S	4/1969	Rickmeier, Jr.	
D213,899	S	4/1969	Rickmeier, Jr.	
3,578,467	A *	5/1971	Huber	426/112
D220,967	S *	6/1971	Schneider	D7/542
D221,173	S	7/1971	Beckman	
D228,114	S *	8/1973	De La Rosa	D7/542
D233,115	S *	10/1974	Christain et al.	D7/392.1
D288,767	S *	3/1987	Minuti	D7/542
D301,819	S *	6/1989	Watson et al.	D7/542
D305,635	S *	1/1990	Pope	D12/213
D307,229	S	4/1990	Grolman	
D323,914	S *	2/1992	Doxey et al.	D34/5
D327,201	S *	6/1992	Gecchelin	D7/542
5,287,800	A	2/1994	Orednick	
D351,088	S	10/1994	Hsiao	
D369,506	S *	5/1996	Tinius	D7/355
D376,884	S *	12/1996	Presnell et al.	D34/11
D381,161	S *	7/1997	Berend et al.	D34/11
D398,430	S *	9/1998	Taylor	D34/11
D401,804	S *	12/1998	Tinius	D7/355
D402,614	S *	12/1998	Martinez	D12/213
D412,263	S *	7/1999	Jozancy	D7/354
D418,655	S *	1/2000	Conti	D34/11
D423,278	S	4/2000	Briner	
D423,281	S *	4/2000	Mosionzhnik	D7/391
D426,103	S *	6/2000	Briner	D7/355
D427,846	S *	7/2000	Hajwanie	D7/391
D430,454	S *	9/2000	Garber et al.	D7/354
D433,272	S	11/2000	Park	
D433,328	S *	11/2000	Loughnane	D9/430
D434,594	S *	12/2000	Yu	D7/355
D434,714	S *	12/2000	White	D12/213
D437,181	S *	2/2001	Park	D7/355
D441,290	S *	5/2001	West	D9/443
D441,599	S *	5/2001	Garber et al.	D7/391
6,415,945	B1	7/2002	Zank et al.	
D480,263	S *	10/2003	Lillelund et al.	D7/392.1
D482,834	S *	11/2003	Bennett	D34/11
D491,708	S *	6/2004	Taylor	D34/11
D491,874	S *	6/2004	Cook	D12/213
D506,349	S *	6/2005	Wasserman et al.	D7/355
D515,005	S *	2/2006	Oatis	D12/213
D528,963	S *	9/2006	Horn	D12/213
D532,647	S *	11/2006	Wasserman et al.	D7/355

OTHER PUBLICATIONS

George Foreman GR55 Five Star Grill, printed from website www.amazon.com on May 6, 2003, 2 pages.
 ADCRAFT Sale Bulletin, Spring 2002, 4 pages, SB-0502.
 Bringing Elegance to the Table, Adcraft Chafers, 2000, 8 pages.
 Chafing Dishes, ADCRAFT Food Service, Jul. 2001, 6 pages.
 Chafing Dishes, ADCRAFT Food Service, 1998, 7 pages, AD-105.
 Your source for the widest selections & best values in Food Service, ADCRAFT, date unknown, 6 pages, Catalog AD-104.
 The New Adcraft Roll Top Full Size Chafer, ADCRAFT Sale Bulletin SB-896, Aug. 1996, 6 pages, Admiral Craft Equipment Corp, Hicksville, NY.
 For Your Best Values in Food Service, Admiral Craft Catalog, 1995, 7 pages.
 Your Source for the Best Values in Food Service, Admiral Craft Catalog, 1994-1995, 7 pages, AD-103.
 American Metalcraft, Product Catalog 2001, Effective Jan. 1, 2001, 5 pages.
 American Metalcraft, The Performance Collection, date unknown, 5 pages.
 The Performance Collection, exclusively presented by American Metalcraft, The Encore Trio, date unknown, 2 pages.

Encore, The Performance Collection, American Metalcraft, Inc., 2002 Gold Excellence, 2 pages.
 American Metalcraft, Product Catalog 2002, Effective Apr. 15, 2002, 7 pages.
 Bon Chef, Chafing Dish Systems, 2002, 13 pages.
 The Beautiful, Practical Choice, Bon Chef, Round Chafing Dishes, Aug. 1, 1999, 2 pages.
 Bon Chef, Rectangular Chafing Dishes, 1996, 1 page.
 Bon Chef, Rectangular/Round/Buffer Station Chafing Dishes, 1995, 4 pages.
 Bon Chef, Round Chafing Dishes, 1997, 1 page.
 Bon Chef, Rectangular Chafing Dishes, 1997, 1 page.
 Bon Chef, The Beautiful, Practical Choice, Revised Jan. 15, 1996, 2 pages.
 Bon Chef, Rectangular/Round Chafing Dishes, date unknown, 4 pages.
 The Unbreakables by Bon Chef, Chafing Dish Systems, Mar. 1999, 15 pages.
 Bon Chef, Chafing Dish w/Roll back cover, date unknown, 2 pages.
 Bon Chef, Catalog cover page, 1999, 1 page.
 Bon Chef, Round/Rectangular Chafing Dishes, date unknown, 5 pages.
 Bon Chef, Chafing Dish Buffet Station, date unknown, 2 pages.
 Bon Chef, Retail Price List cover page, Revised Mar. 1, 1998, 1 page.
 Bon Chef, Catalog cover page, Mar. 1999, 1 page.
 Oneida, Foodservice Flatware & Holloware—Chafing Dishes and Urns, 2001, 9 pages, H-1054.
 Oneida, Foodservice Flatware & Holloware—Full Line Catalog, Northland Chafers, Royal Buffet Chafing Dishes and Urns, 1999, 7 pages.
 Oneida, Chaf-O-Matic, Aug. 1996, 4 pages, H-883.
 Oneida, Foodservice Flatware and Holloware—Full Line Catalog, date unknown, 6 pages.
 Oneida, Northland Tableware, 1997, 4 pages.
 Halco, Foodservice Resource Guide—Catalog 21, 2002, 10 pages.
 Halco, Summer 1999, Prices effective Jul. 1-Sep. 30, 1999, 2 pages.
 Halco, Catalog 19, date unknown, 3 pages.
 Halco, Stock price List—Catalog 20, Effective Jul. 1, 1999, 2 pages.
 Halco, Quality Crafted Foodservice Products, date unknown, 3 pages.
 Halco, 2002 Mini Catalog, 2002, 3 pages.
 Polar Ware Price List, Effective Mar. 15, 1997, 3 pages.
 The Northbrook Chafer, Affordable Elegance Now Available from Polar Ware, 1997, 2 pages.
 Polar Ware Food Service Catalog, Mar. 1999, 4 pages.
 Chafers and Buffet Ware, Polar Ware, date unknown, 3 pages.
 The Polar Ware Chafer Collection, Polar Ware, date unknown, 6 pages.
 New Chafer Collection, Polar Ware, The Confident Choice, 4 pages.
 Polar Ware Catalog, Effective Apr. 1, 1995, 3 pages.
 Coast-To-Coast Savings on New Dura-Ware Stainless Steel Roll-Top Chafers, 1994, 1 page.
 Dura-Ware's New Resort Line of World Class Silver Plated Chafers, Feb. 5, 1996, 1 page.
 Incredible Savings Breakthrough from Dura-Ware, date unknown, 2 pages.
 Dura-Ware, Three chafers that are pretty BRASSY, date unknown, 1 page.
 Clutter Busters, Dura-Ware, Feb. 5, 1996, 1 page.
 Dura-Ware Catalog, date unknown, 3 pages.
 Symphony, The Buffetware Collection by Dura-Ware, date unknown, 8 pages.
 Dura-Ware Sale Prices, Effective Sep. 1 through Oct. 31, 1997, 2 pages.
 Dura-Ware Price List, Mar. 1, 1997, 4 pages.
 Dura-Ware Catalog, Selections from Symphony, date unknown, 2 pages.
 Dura-Ware Catalog, date unknown, 2 pages.
 Symphony, Dura-Ware Catalog, date unknown, 11 pages.
 New World Chafers, Sysco Food Services of Cleveland, Effective Oct. 1 through Dec. 31, 1998, 2 pages.
 Dura-Ware Price List, 3 pages.

US D545,617 S

Page 3

Dura-Ware, Standard Weight Steam Table Pans, date unknown, 3 pages.

Introducing Durapan by Dura-Ware, Prices effective Aug. 1 through Dec. 31, 1998, 3 pages.

Dura-Ware, Price Rollback, Steam Table Pans, May 11, 1998, 2 pages.

Better than super—SUPERIOR, Durapan by Dura-Ware, date unknown, 3 pages.

Dura-Ware, date unknown, 2 pages.

Dura-Ware Catalog, The Most Complete Line of Professional Aluminum and Stainless Steel Cookware and Servingware, date unknown, 4 pages.

Dura-Ware, Steam Table Pans, Feb. 15, 2000, 3 pages.

Dura-Ware, Professional Cookware and Servingware, Price Listing, Feb. 15, 2000, 5 pages.

Symphony, Dura-Ware, date unknown, 12 pages, No. 7807.

Dura-Ware by Carlisle, A Symphony of Elegant Buffetware, 2000, 4 pages.

Carlisle FoodService Products, Prices Effective Feb. 1, 2002, 16 pages.

Carlisle FoodService Products, We Serve Solutions!, Effective Feb. 1, 2001, 13 pages.

Carlisle FoodService Products, 2002 New Products Brochure, 2002, 2 pages.

New Products, Sparta Spectrum Flex-Tip Handle, printed May 21, 2002, 1 page.

Carlisle FoodService Products, Windsor Buffetware, date unknown, 4 pages.

* cited by examiner

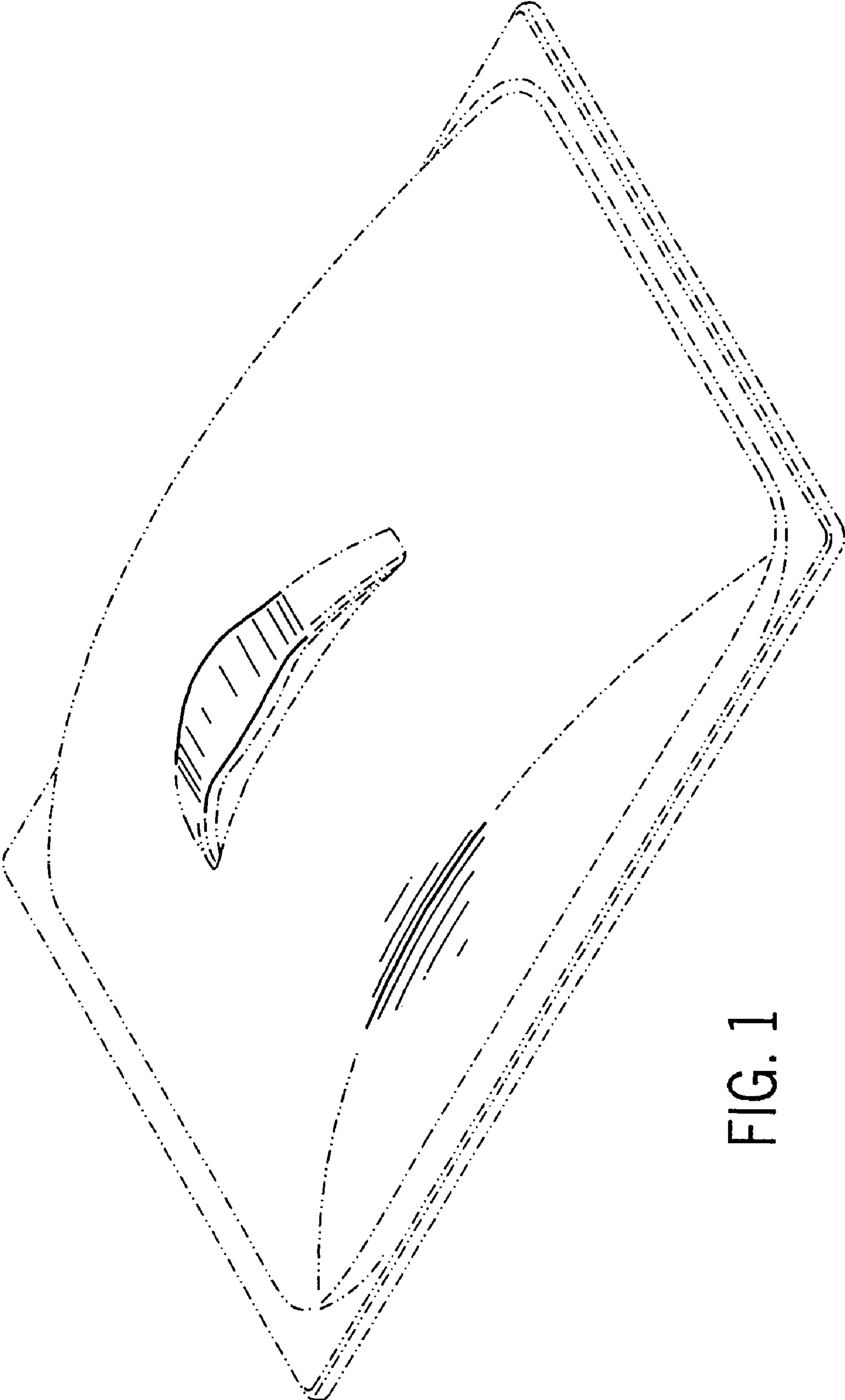


FIG. 1

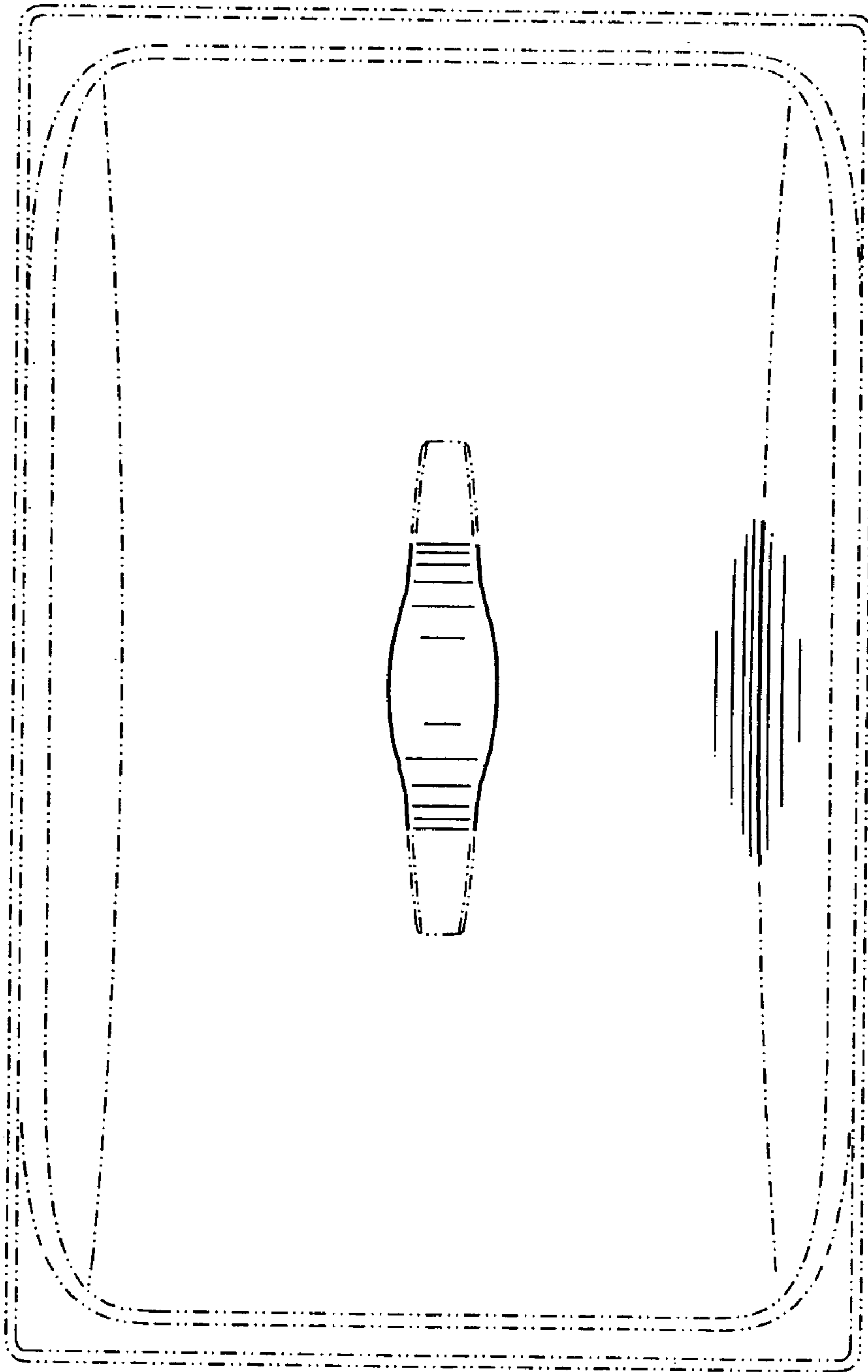


FIG. 2

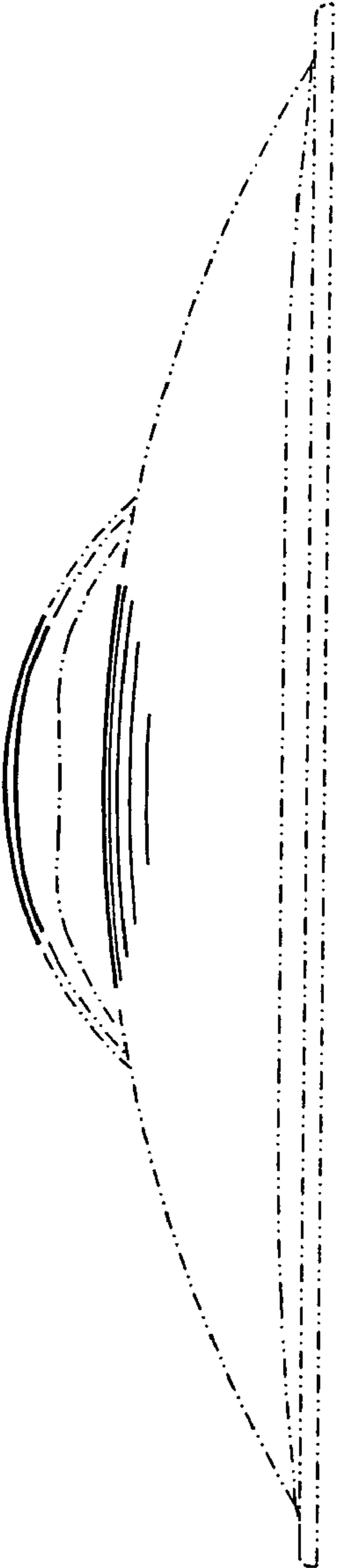


FIG. 3

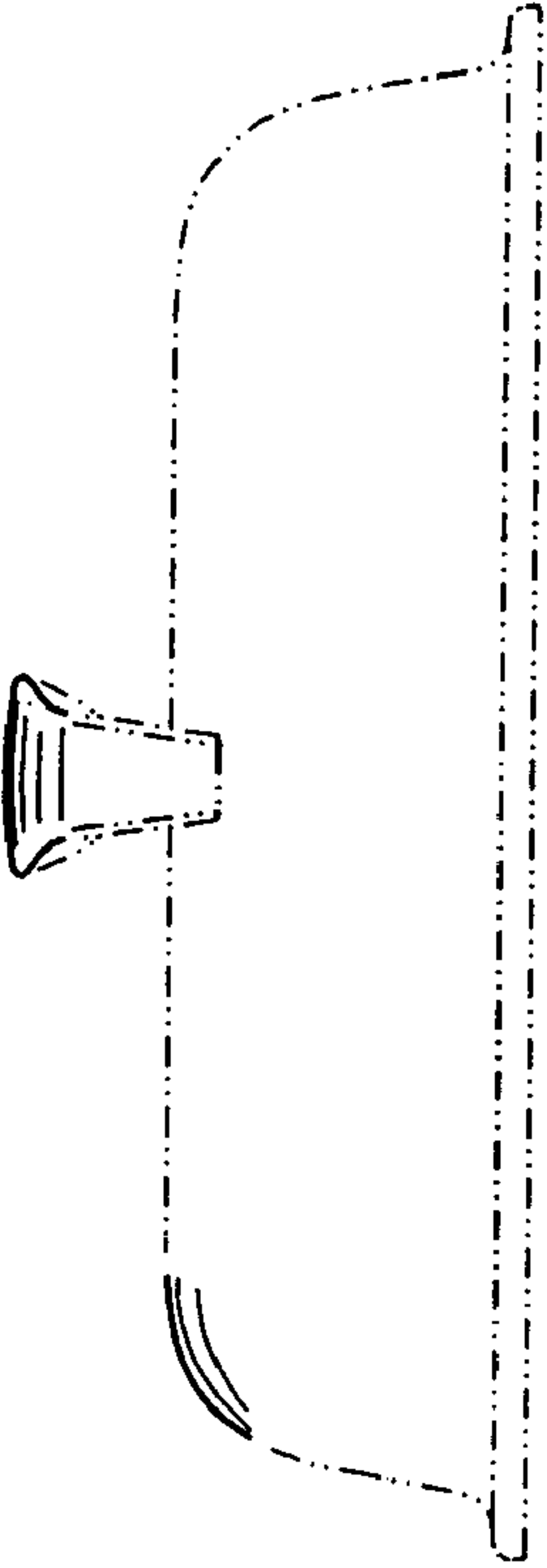


FIG. 4

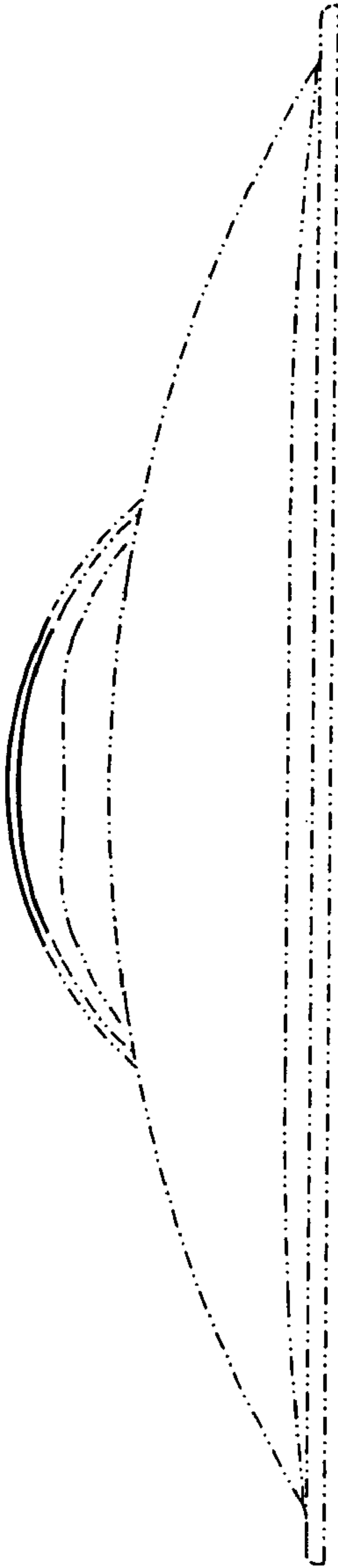


FIG. 5