



US00D545615S

(12) **United States Design Patent**
Lin

(10) **Patent No.:** **US D545,615 S**

(45) **Date of Patent:** **** Jul. 3, 2007**

(54) **BREAD SLICING MACHINE**

(76) Inventor: **King-Yuan Lin**, 4602 Brass Way,
Dallas, TX (US) 75236

(**) Term: **14 Years**

(21) Appl. No.: **29/269,683**

(22) Filed: **Dec. 5, 2006**

(51) **LOC (8) Cl.** **31-00**

(52) **U.S. Cl.** **D7/385; D7/381**

(58) **Field of Classification Search** D7/672,
D7/673, 368, 381, 385; 269/289 R, 291,
269/292, 295; 83/599, 647, 761-765, 701,
83/751, 425.2, 620, 435.19, 407, 454, 467.1,
83/455, 468.6, 759, 800, 932

See application file for complete search history.

(56) **References Cited**

U.S. PATENT DOCUMENTS

D110,920 S *	8/1938	Debus	D7/385
2,528,853 A *	11/1950	Brustowsky	83/751
2,638,950 A	5/1953	Menssen		
D203,554 S	1/1966	Jacoby		
4,662,257 A *	5/1987	Petersen et al.	83/407
D310,933 S *	10/1990	Kruse et al.	D7/381

D354,659 S	1/1995	Dornbush et al.		
5,601,005 A *	2/1997	Petersen et al.	83/221
6,415,700 B1 *	7/2002	Hunn et al.	83/647

* cited by examiner

Primary Examiner—Terry A. Wallace

(74) *Attorney, Agent, or Firm*—Todd N. Hathaway

(57) **CLAIM**

The ornamental design for a bread slicing machine, as shown and described.

DESCRIPTION

FIG. 1 is a top plan view of a bread slicing machine showing my new design;

FIG. 2 is a left-side elevational view thereof;

FIG. 3 is a front elevational view thereof;

FIG. 4 is a right-side elevational view thereof;

FIG. 5 is a rear elevational view thereof; and,

FIG. 6 is a bottom plan view thereof.

The broken lines are for illustrative purposes only and for no part of the claimed design.

1 Claim, 4 Drawing Sheets

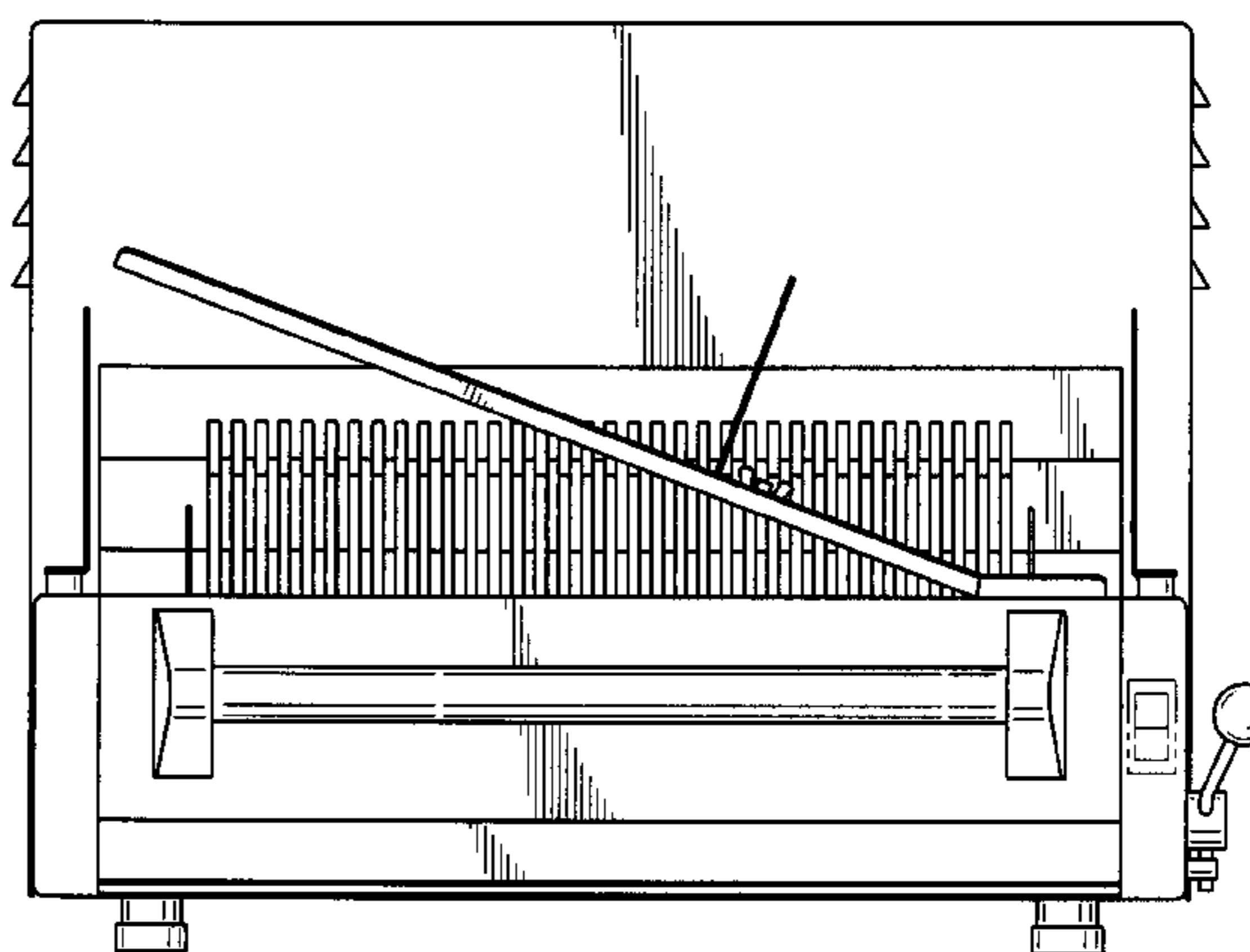
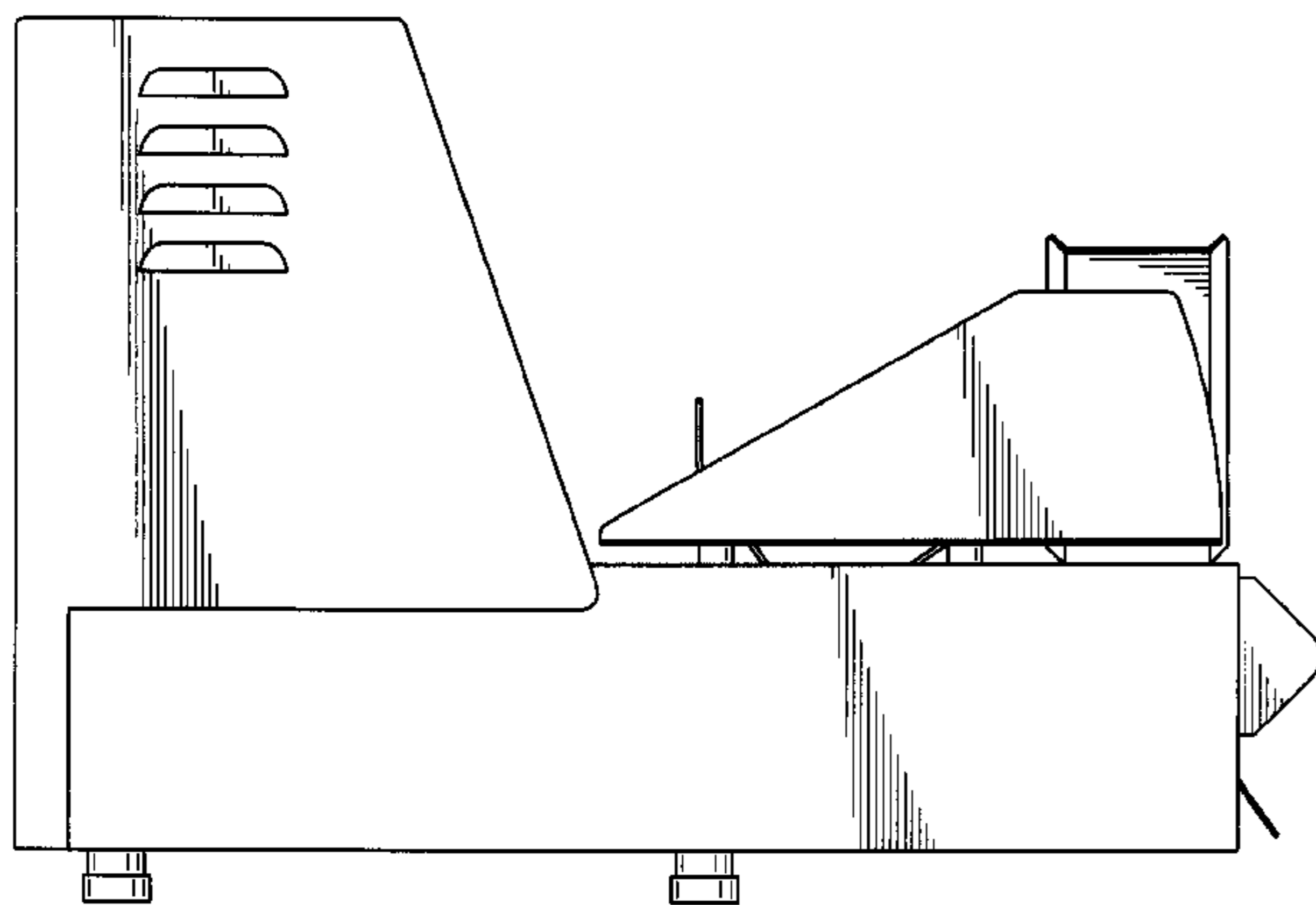


FIG. 1

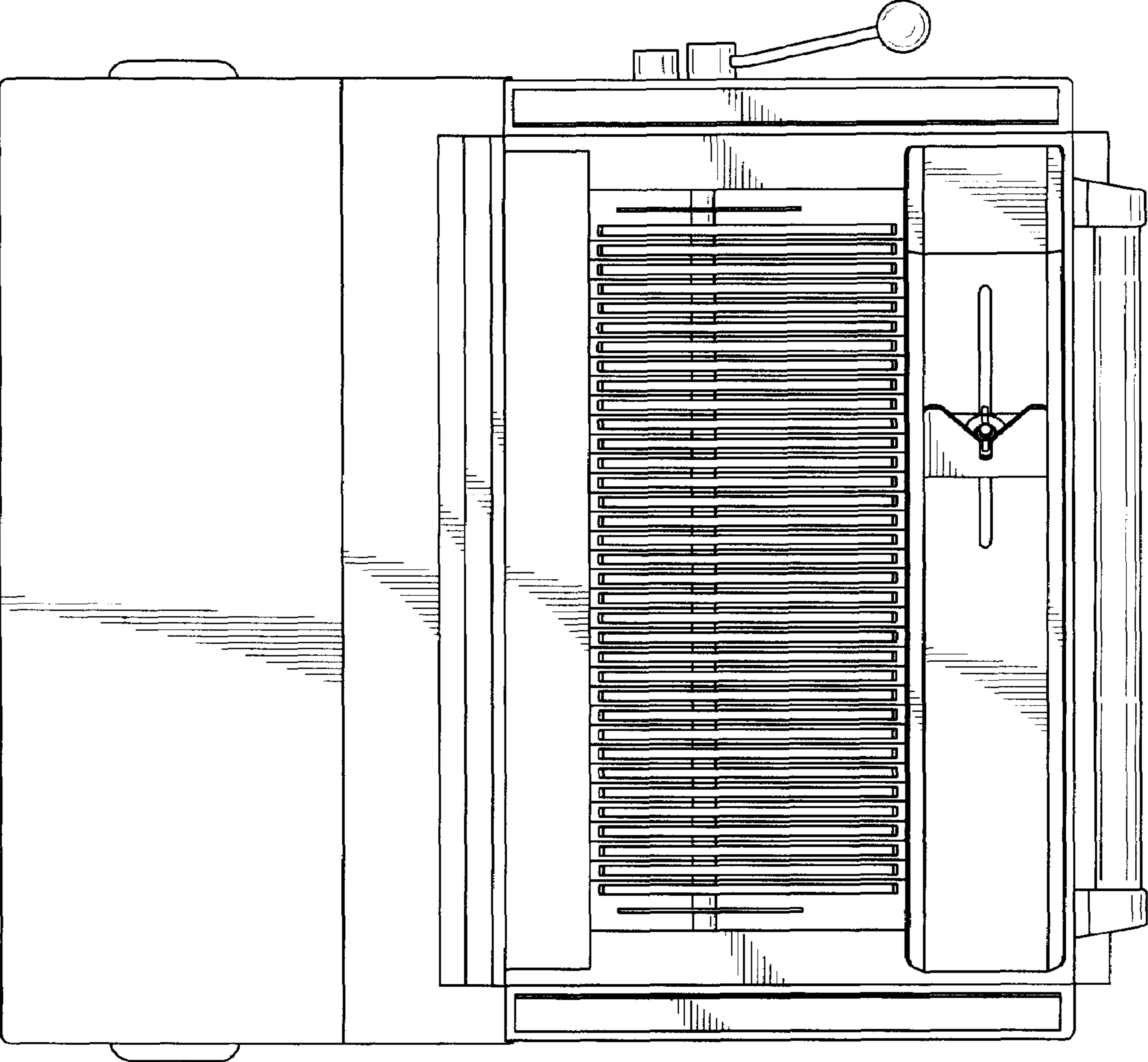


FIG. 2

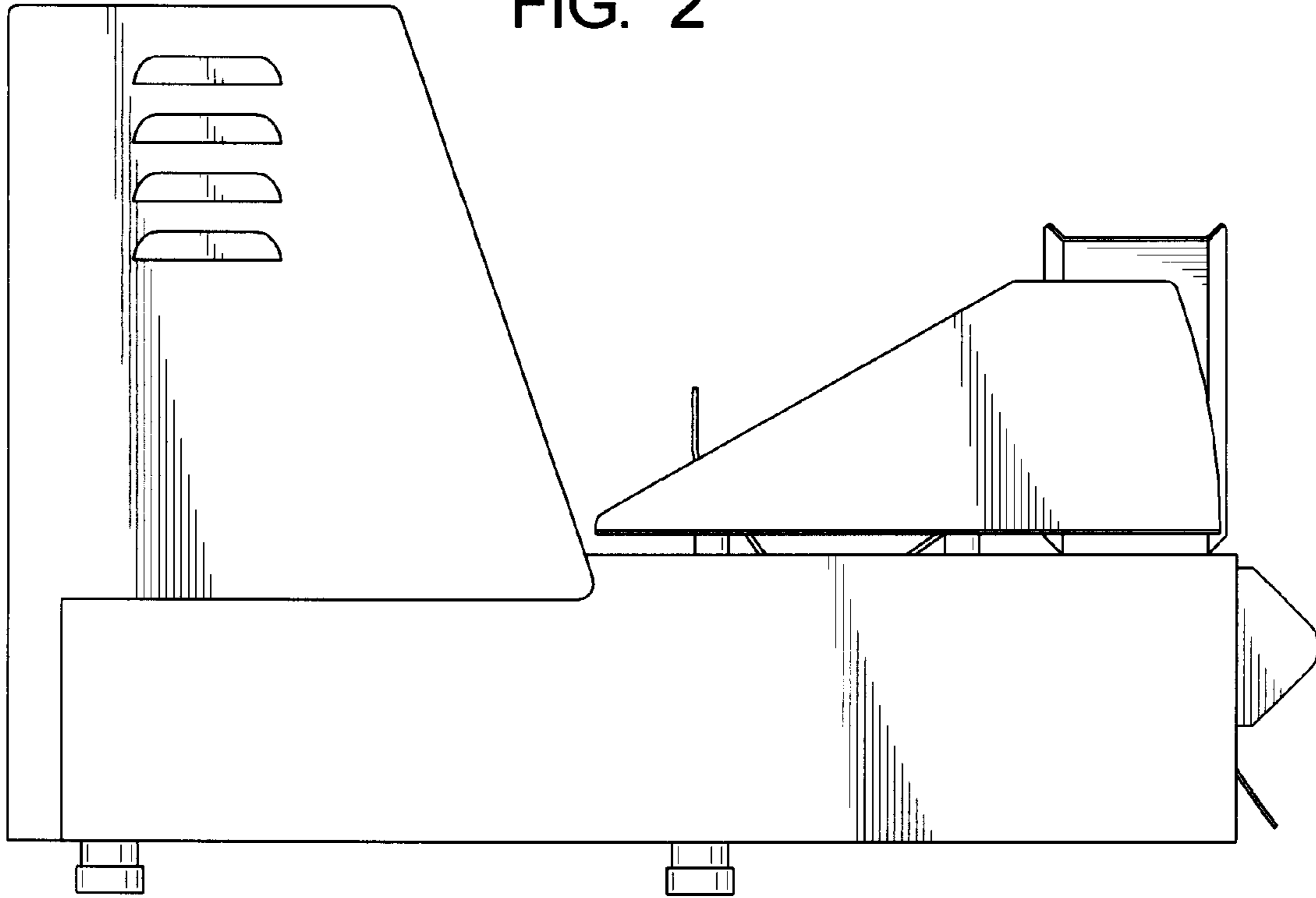


FIG. 3

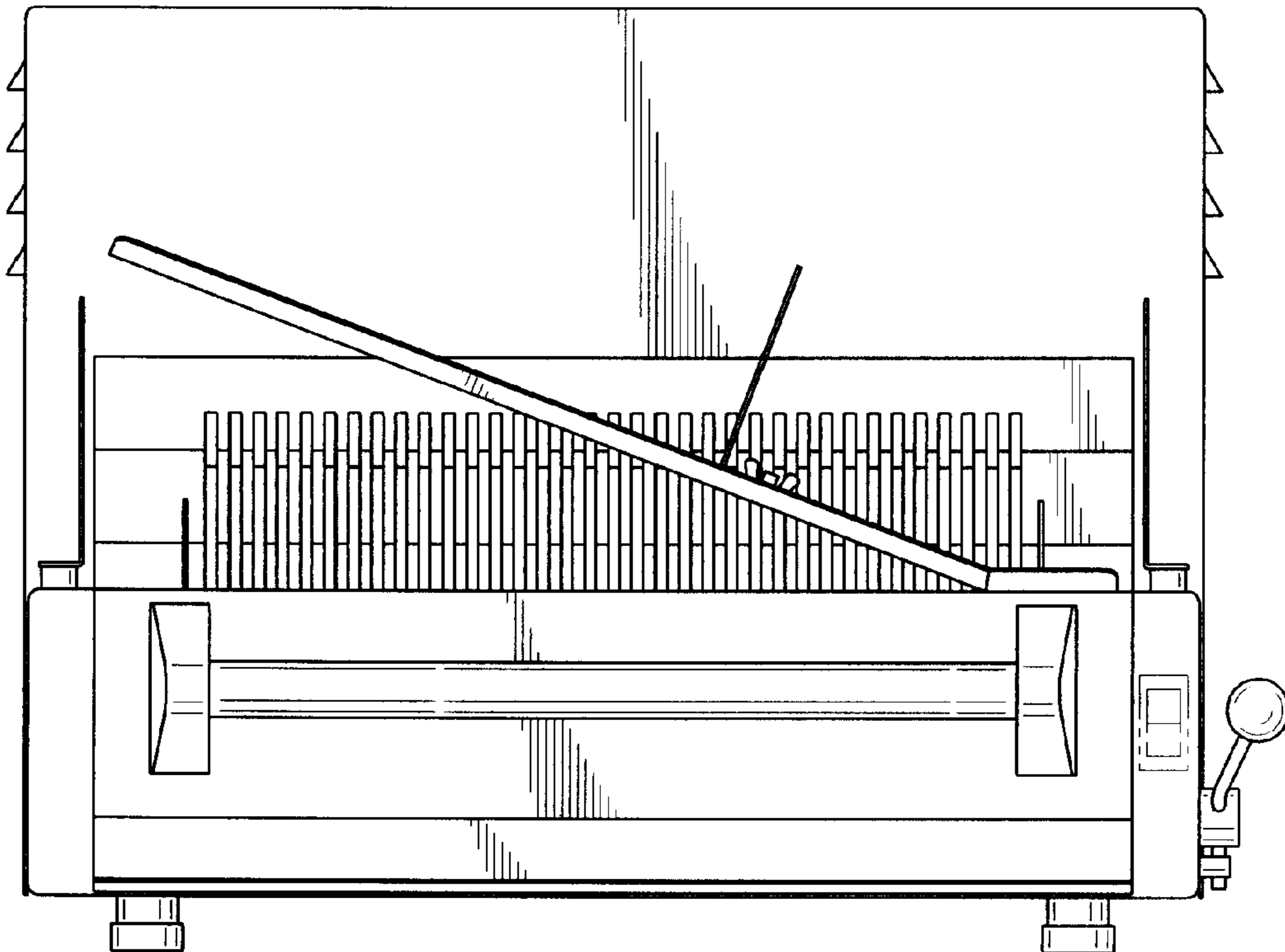


FIG. 4

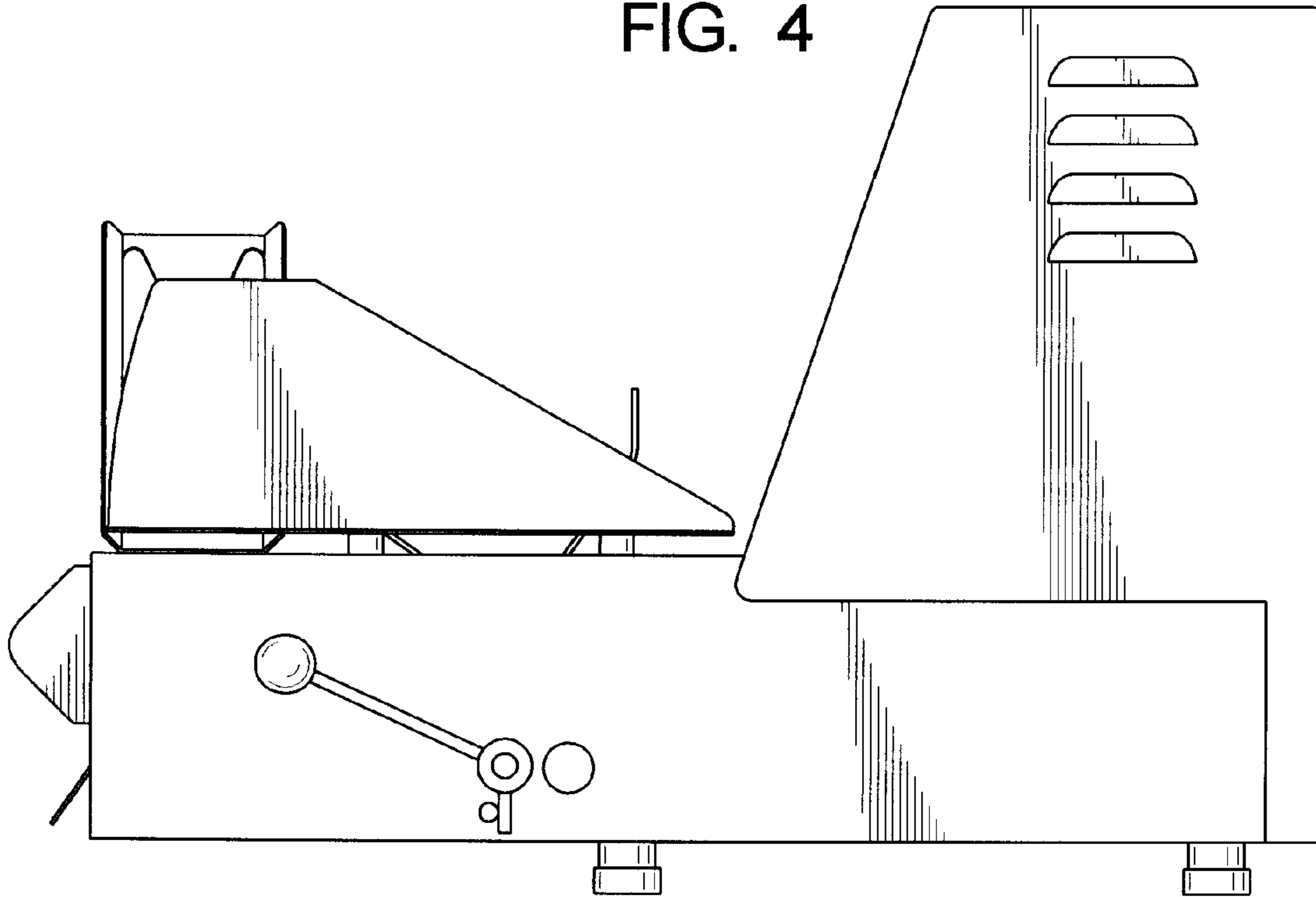


FIG. 5

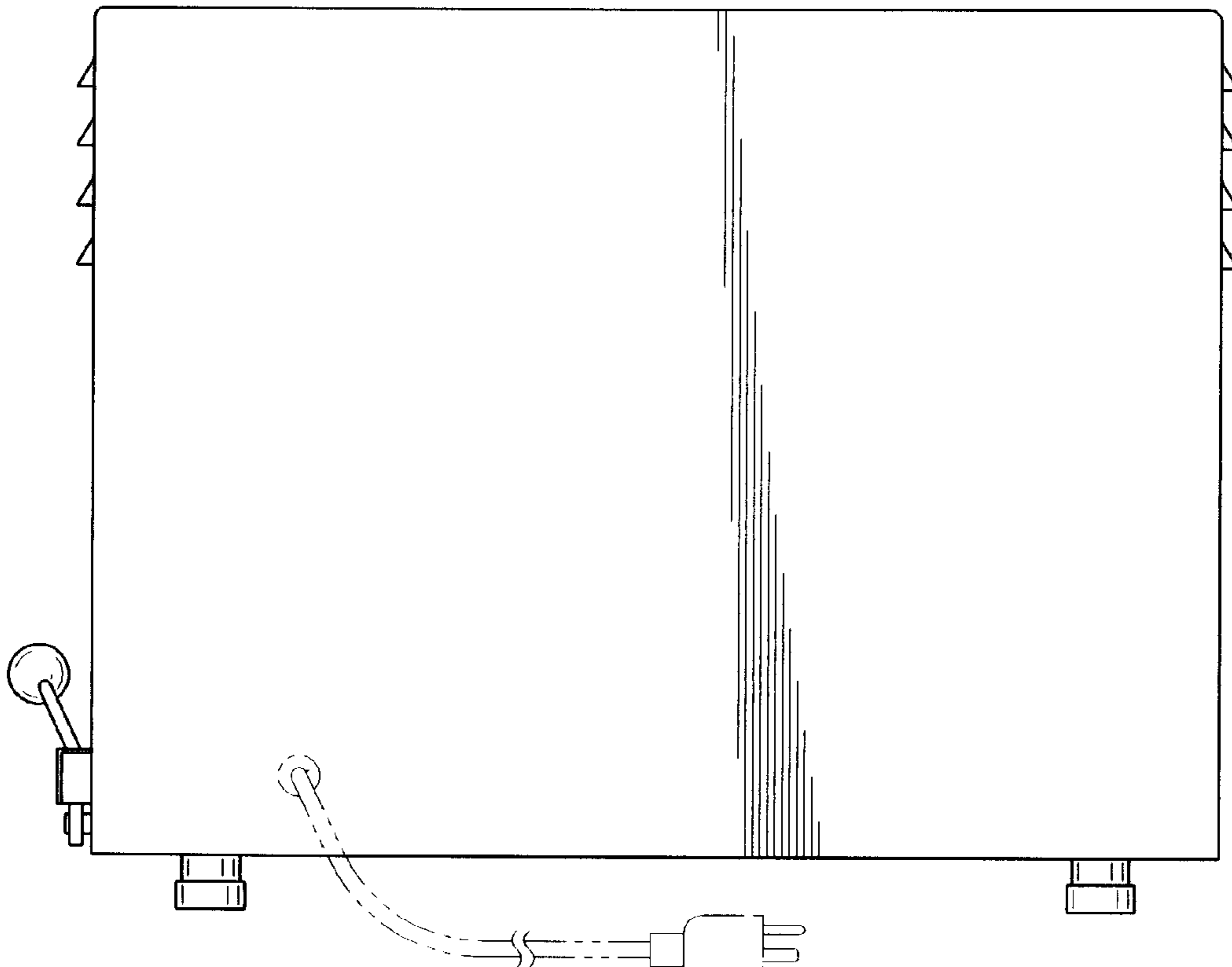


FIG. 6

