



US00D545612S

(12) **United States Design Patent** (10) **Patent No.:** **US D545,612 S**
Wasserman et al. (45) **Date of Patent:** **** Jul. 3, 2007**

(54) **PAN**
(75) Inventors: **David M. Wasserman**, Whitefish Bay, WI (US); **John A. Wojcik**, Sheboygan, WI (US); **Alan J. Schommer**, Fredonia, WI (US); **Mark V. LeGreve**, Two Rivers, WI (US); **Paul J. Mulhauser**, New York, NY (US); **Karl D. Kirk, III**, New York, NY (US)

(73) Assignee: **The Vollrath Company, L.L.C.**, Sheboygan, WI (US)

(**) Term: **14 Years**

(21) Appl. No.: **29/254,039**

(22) Filed: **Feb. 16, 2006**

(51) **LOC (8) Cl.** **07-02**

(52) **U.S. Cl.** **D7/354**

(58) **Field of Classification Search** D7/323, D7/354-361, 393-395, 401.2, 402; D4/129, D4/138; D8/97, 107, 307; 16/110.1, 407, 16/430, 431, DIG. 18, DIG. 19; 99/324, 99/325, 339, 345, 425, 426, 445; 126/373, 126/390; 220/573.1-573.5, 752-756, 912
See application file for complete search history.

(56) **References Cited**

U.S. PATENT DOCUMENTS

D21,614 S	6/1892	McLeod
1,282,552 A	10/1918	Duncan
1,482,305 A	1/1924	Hodgson
1,712,675 A	5/1929	Olsen
1,728,619 A	9/1929	Lambert
1,730,820 A	10/1929	Holden
1,837,109 A	12/1931	Burvenick
1,965,354 A	7/1934	Patock
2,133,252 A	10/1938	Moore et al.
2,140,157 A	12/1938	Huffman
2,144,474 A	1/1939	Woodman
2,231,222 A	2/1941	Rosenheimer, Jr.

2,246,393 A 6/1941 Sperry
2,254,571 A 9/1941 Hailey
D140,046 S * 1/1945 Behl D7/394

(Continued)

FOREIGN PATENT DOCUMENTS

DE 597085 5/1934

(Continued)

OTHER PUBLICATIONS

All-Clad, Copper Core, 8"/9" Skillet/Pan, believed to be publicly available before Mar. 25, 2005.

(Continued)

Primary Examiner—Cathron C. Brooks

Assistant Examiner—Ricky Pham

(74) *Attorney, Agent, or Firm*—Foley & Lardner LLP

(57) **CLAIM**

We claim the ornamental design for a pan, as shown and described.

DESCRIPTION

FIG. 1 is a top perspective view of a pan showing our new design;

FIG. 2 is a top plan view thereof;

FIG. 3 is a right-side elevational view thereof, the left-side elevational view being a mirror image of the right-side elevational view shown;

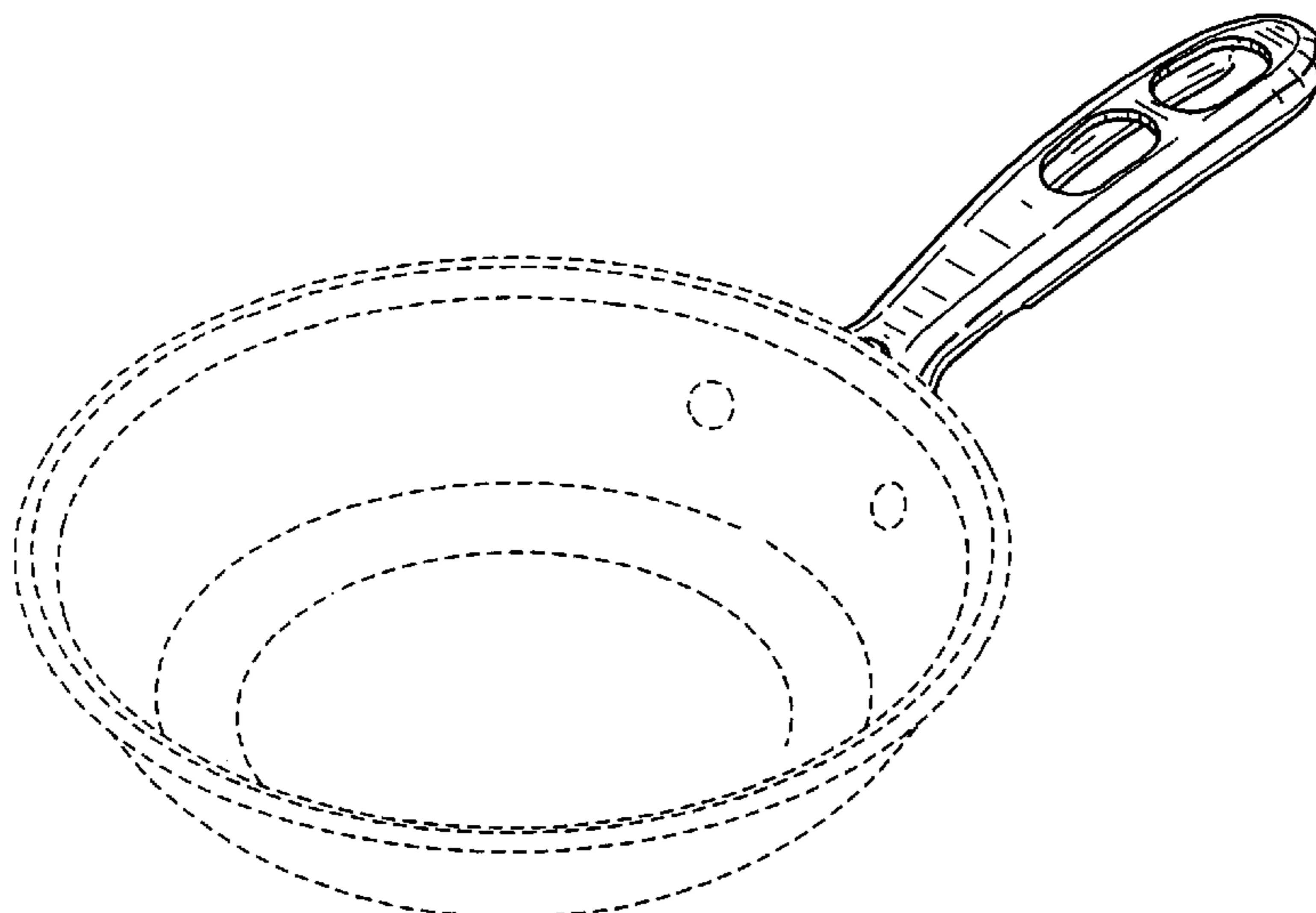
FIG. 4 is a front elevational view thereof;

FIG. 5 is a rear elevational view thereof; and,

FIG. 6 is a bottom plan view thereof.

The ornamental design which is claimed is shown in solid lines in the drawings. The broken lines in the drawings are for illustrative purposes only and form no part of the claimed design.

1 Claim, 3 Drawing Sheets



US D545,612 S

Page 2

U.S. PATENT DOCUMENTS

2,511,786 A 6/1950 Patti
2,520,808 A 8/1950 Miller
2,965,405 A 12/1960 Herrick
4,197,611 A 4/1980 Bell et al.
D258,861 S 4/1981 Bratton et al.
D266,895 S 11/1982 Hellinger et al.
D266,896 S 11/1982 Hellinger et al.
4,413,767 A 11/1983 Hellinger
4,491,235 A 1/1985 Fournier et al.
D283,188 S 4/1986 Pool
4,768,427 A 9/1988 Cheng
5,447,351 A 9/1995 Klunder
D366,181 S * 1/1996 Rossiaud D7/361
D377,438 S * 1/1997 Brunianyn D7/361
D377,883 S * 2/1997 Candianides D7/361
D392,151 S * 3/1998 Munari D7/395
D393,776 S 4/1998 Kessler
5,867,867 A 2/1999 Kessler
D415,928 S * 11/1999 Kaposi et al. D7/401.2
D417,121 S * 11/1999 Brunianyn D7/395
6,032,822 A * 3/2000 Munari 220/573.1
D436,813 S * 1/2001 Kobayashi et al. D8/22
6,170,694 B1 1/2001 Munari
D438,054 S * 2/2001 Munari D7/395
D442,428 S * 5/2001 Munari D7/395
D447,383 S * 9/2001 Rae D7/395
D448,973 S * 10/2001 Hay et al. D7/395
D463,714 S * 10/2002 Munari D7/395
D470,716 S * 2/2003 Kloppsteck D7/361
D483,990 S * 12/2003 Munari D7/395
D491,764 S * 6/2004 Munari D7/395
D496,219 S * 9/2004 Rae D7/395
D497,767 S * 11/2004 Cacace D7/361
D512,266 S * 12/2005 Munari D7/395
D518,331 S * 4/2006 Rae D7/395
D520,296 S * 5/2006 Brownell D7/395
D525,827 S * 8/2006 Munari D7/393
D527,580 S * 9/2006 Munari D7/395

D533,026 S * 12/2006 Dotterman et al. D7/393
2004/0060936 A1 4/2004 Logiudice

FOREIGN PATENT DOCUMENTS

DE 295 11 144 U1 9/1995
FR 607.077 6/1926
GB 141155 4/1920
IT 246298 3/1992

OTHER PUBLICATIONS

All-Clad, Masterchef II, 8"/9" Skillet/Pan, believed to be publicly available before Mar. 25, 2005.
All-Clad, 8"/9" Skillet/Pan, believed to be publicly available before Mar. 25, 2005.
Anolon Advanced, 8"/9" Skillet/Pan, believed to be publicly available before Mar. 25, 2005.
Calphalon One, 8"/9" Skillet/Pan, believed to be publicly available before Mar. 25, 2005.
Calphalon, 8"/9" Skillet/Pan, believed to be publicly available before Mar. 25, 2005.
Calphalon, 8"/9" Skillet/Pan, believed to be publicly available before Mar. 25, 2005.
Calphalon Simply 8"/9" Skillet/Pan, believed to be publicly available before Mar. 25, 2005.
Calphalon Simply 8"/9" Skillet/Pan, believed to be publicly available before Mar. 25, 2005.
Calphalon Contemporary 8"/9" Skillet/Pan, believed to be publicly available before Mar. 25, 2005.
Circulon Premier, 8"/9" Skillet/Pan, believed to be publicly available before Mar. 25, 2005.
Circulon, 8"/9" Skillet/Pan, believed to be publicly available before Mar. 25, 2005.
Farberware Millennium Soft Touch, 8"/9" Skillet/Pan, believed to be publicly available before Mar. 25, 2005.
European Search Report for EP 06 00 6087, date of mailing May 19, 2006, 1 page.

* cited by examiner

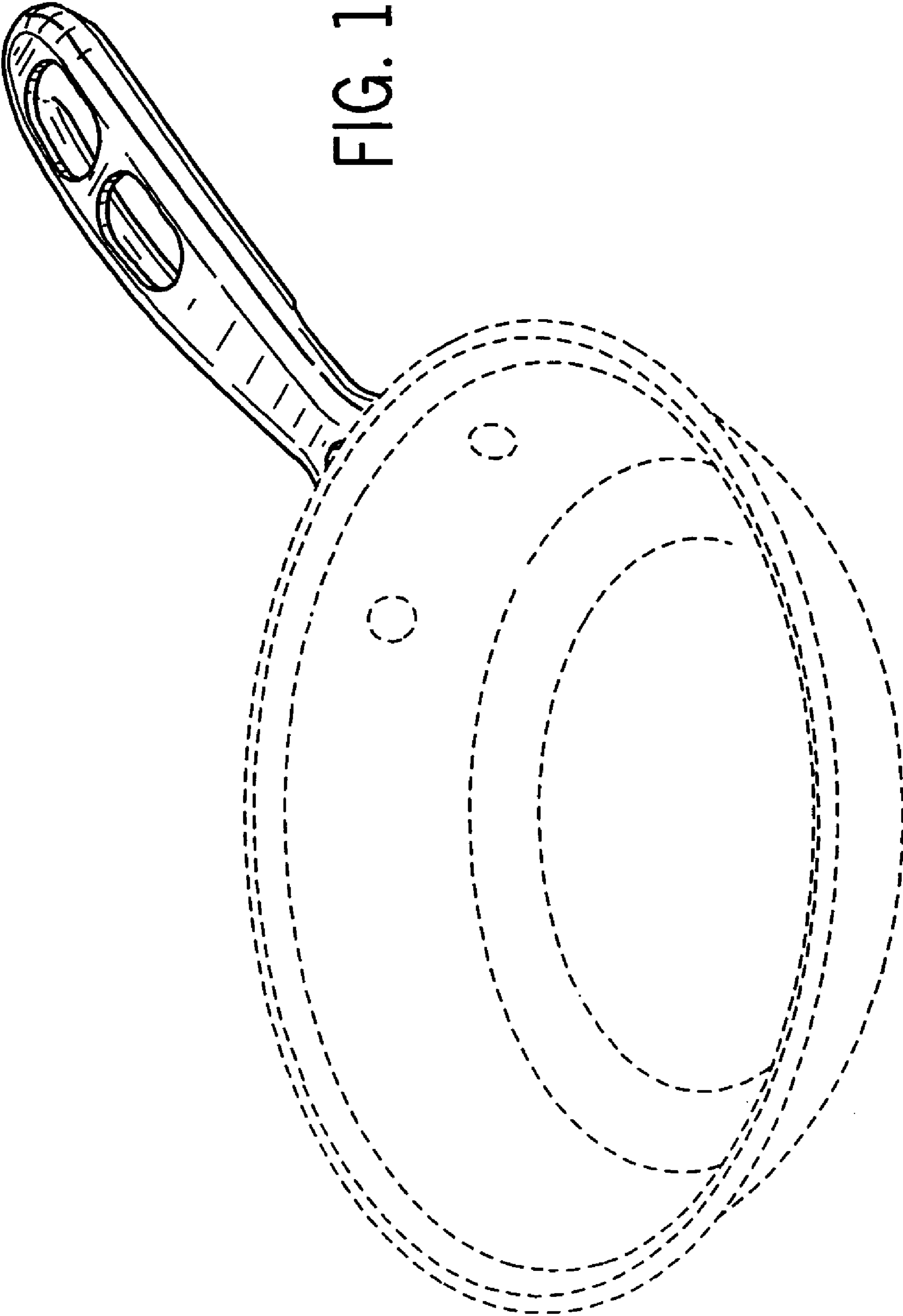


FIG. 1

FIG. 2

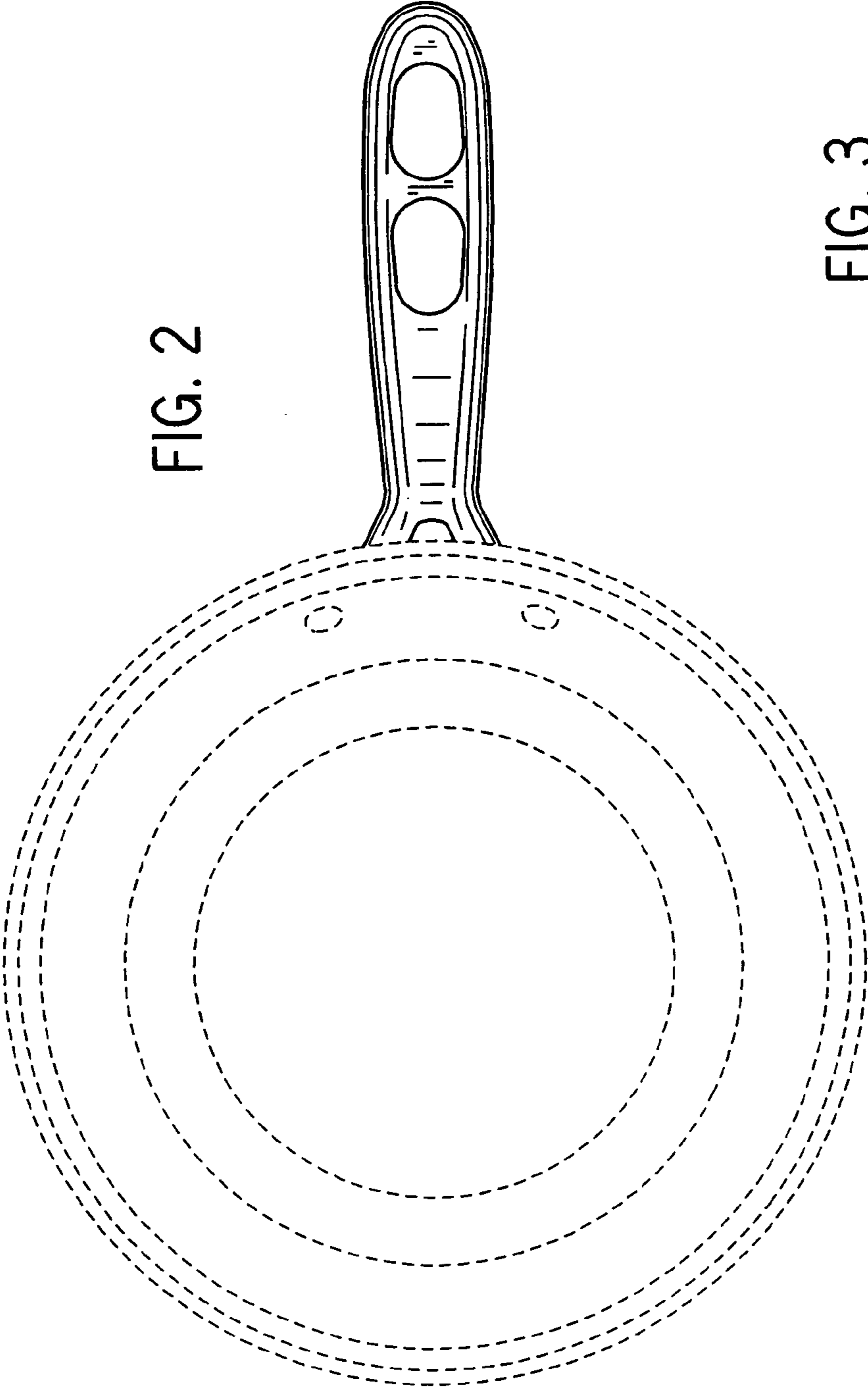
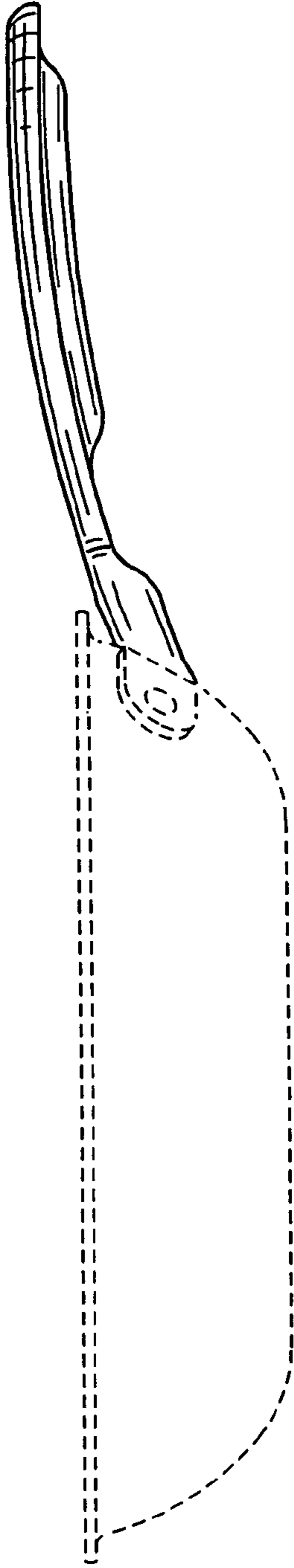


FIG. 3



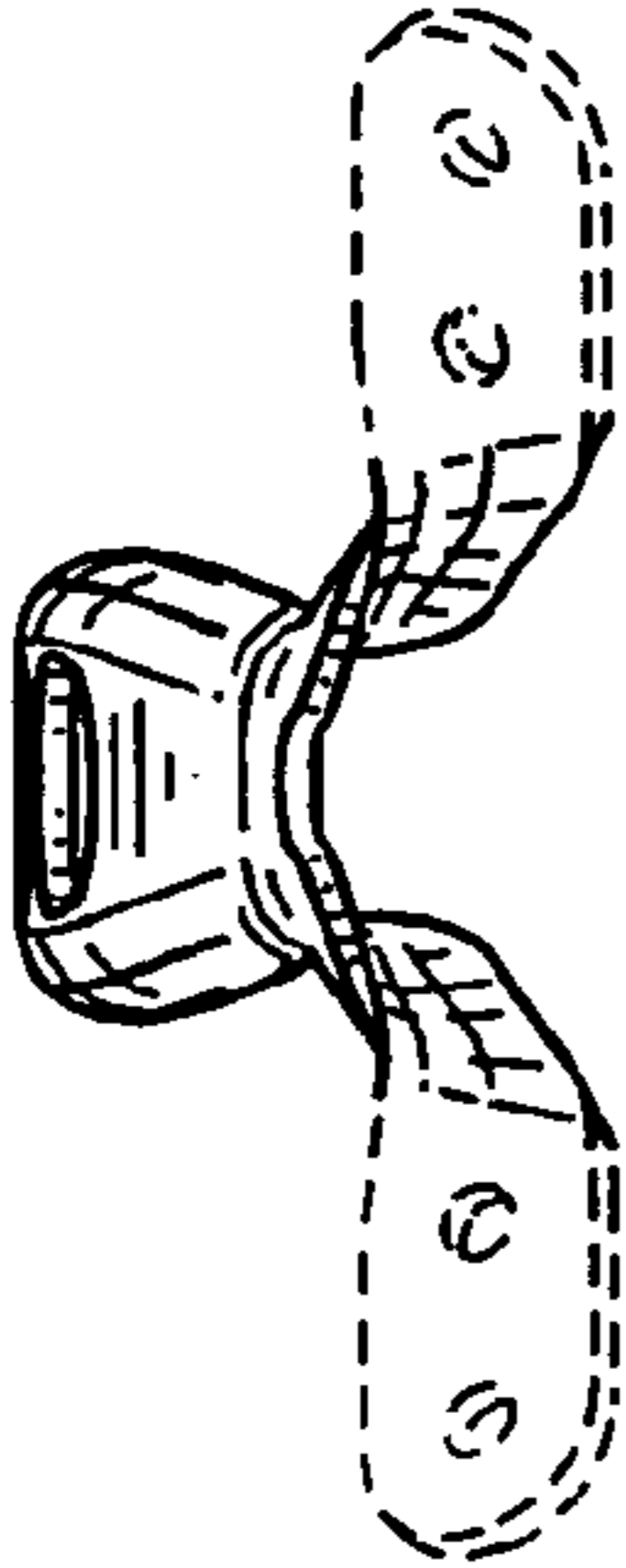


FIG. 4

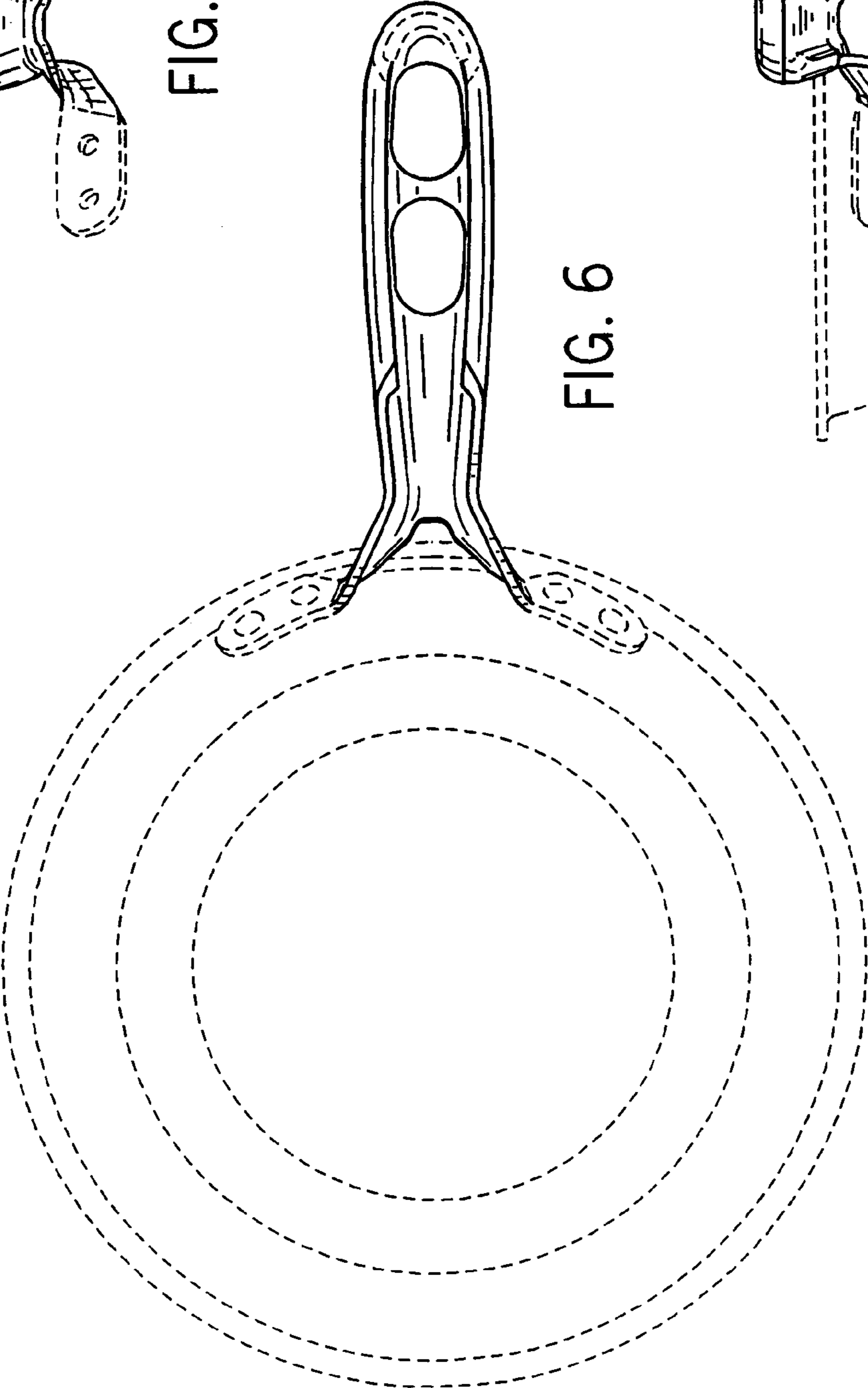


FIG. 6

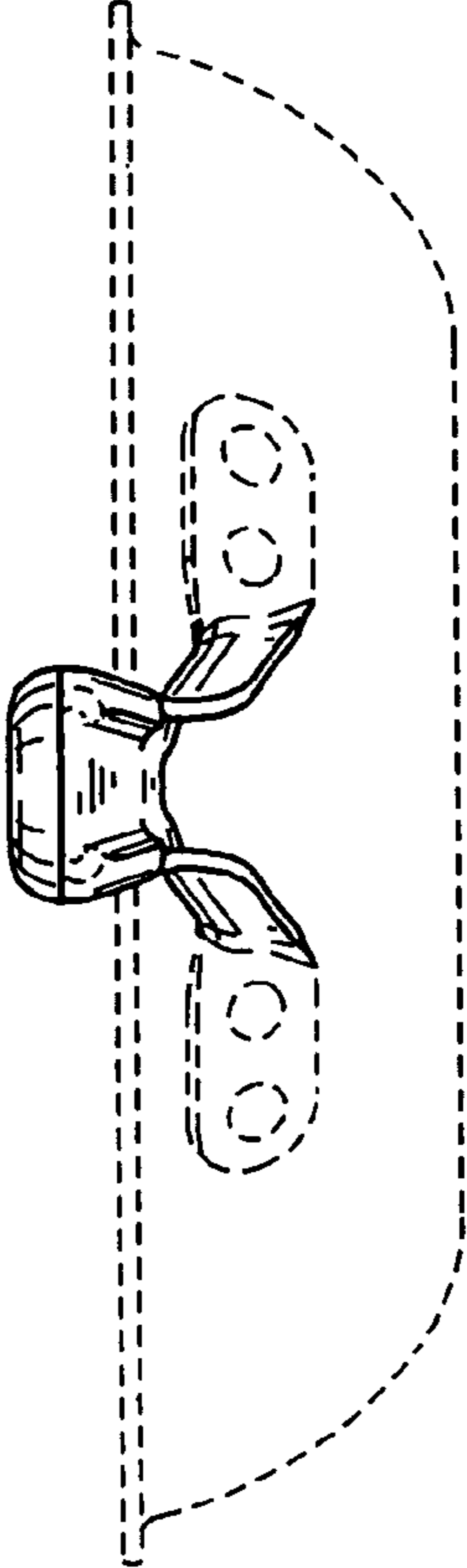


FIG. 5