



US00D545610S

(12) **United States Design Patent**
Tanaka

(10) **Patent No.:** **US D545,610 S**

(45) **Date of Patent:** **** Jul. 3, 2007**

(54) **INDUCTION HEATING COOKER**

(75) Inventor: **Hiroyuki Tanaka**, Nishinomiya (JP)

(73) Assignee: **Matsushita Electric Industrial Co., Ltd.**, Osaka (JP)

(**) Term: **14 Years**

(21) Appl. No.: **29/208,480**

(22) Filed: **Jun. 29, 2004**

(30) **Foreign Application Priority Data**

Mar. 12, 2004 (JP) 2004-007431

(51) **LOC (8) Cl.** **07-02**

(52) **U.S. Cl.** **D7/346**

(58) **Field of Classification Search** D7/339-341,
D7/402-407, 346-348; 126/19 R, 39 B,
126/39 C, 39 R, 273 R, 50

See application file for complete search history.

(56) **References Cited**

U.S. PATENT DOCUMENTS

D165,742 S * 1/1952 Culver, Jr. D7/340

D486,349 S * 2/2004 Nichols D7/340

D524,093 S * 7/2006 Home D7/340

OTHER PUBLICATIONS

Catalog for Induction Heating Cooker, issued by Siemens Corporation, Apr. 2001.

Catalog for Induction Heating Cooker, issued by Bauknecht Corporation, 2003.

Catalog for Induction Heating Cooker, issued by Miele Corporation, Dec. 2001.

* cited by examiner

Primary Examiner—Catherine R. Oliver

(74) *Attorney, Agent, or Firm*—Brinks Hofer Gilson & Lione

(57) **CLAIM**

I claim the ornamental design for an induction heating cooker, as shown and described.

DESCRIPTION

FIG. 1 is a top front perspective view of an induction heating cooker of the present invention;

FIG. 2 is a front view thereof;

FIG. 3 is a top view thereof;

FIG. 4 is a bottom view thereof;

FIG. 5 is a first side view thereof;

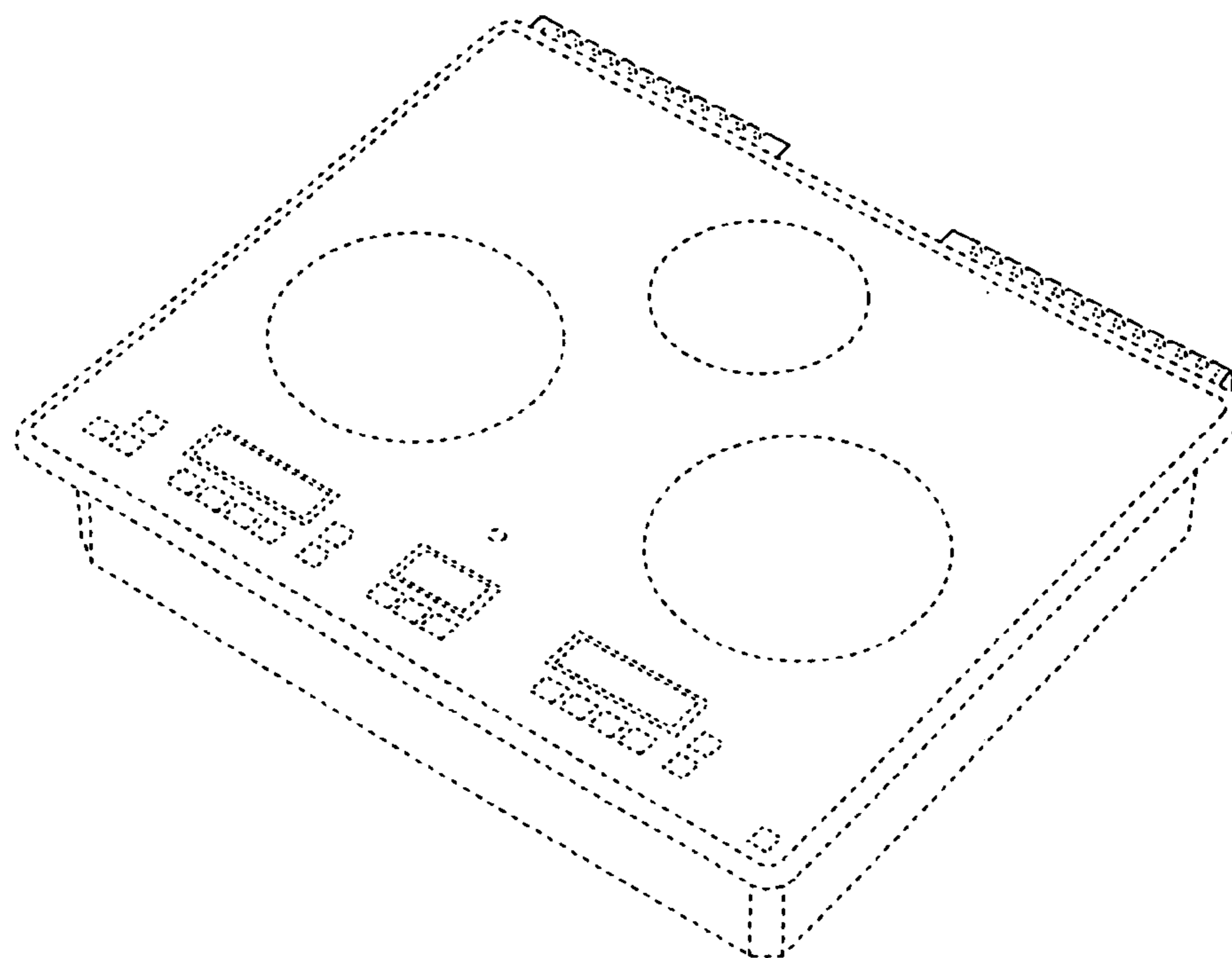
FIG. 6 is a second side view thereof;

FIG. 7 is a rear view thereof; and,

FIG. 8 is a top rear perspective view thereof.

The ornamental design which is claimed is shown in solid lines in the drawings. Any broken lines in the drawings are for illustrative purposes only and form no part of the claimed design.

1 Claim, 5 Drawing Sheets



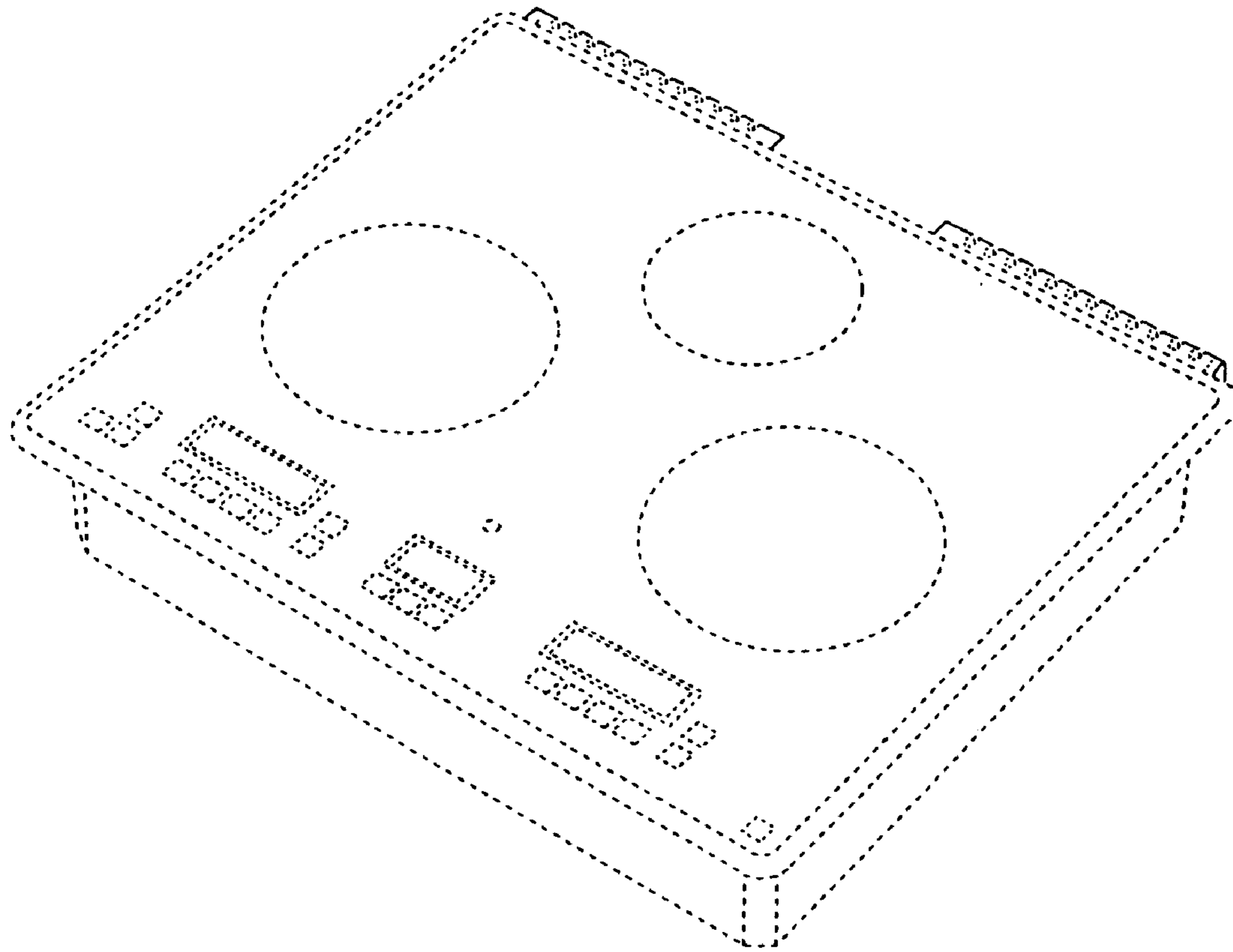


FIG. 1

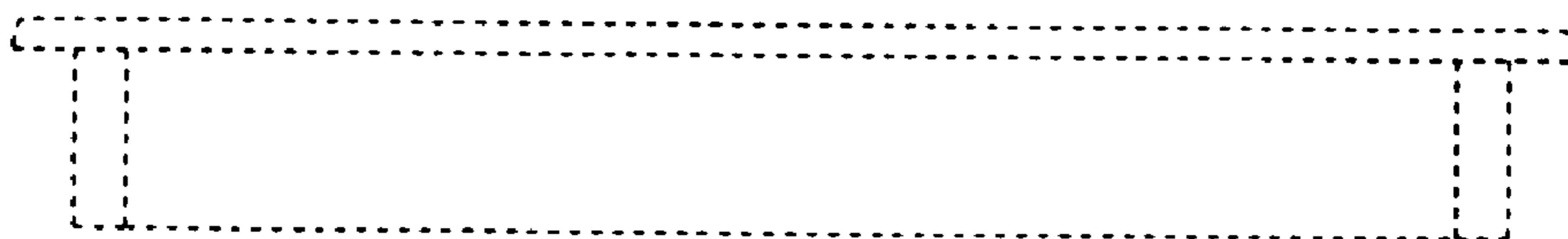


FIG. 2

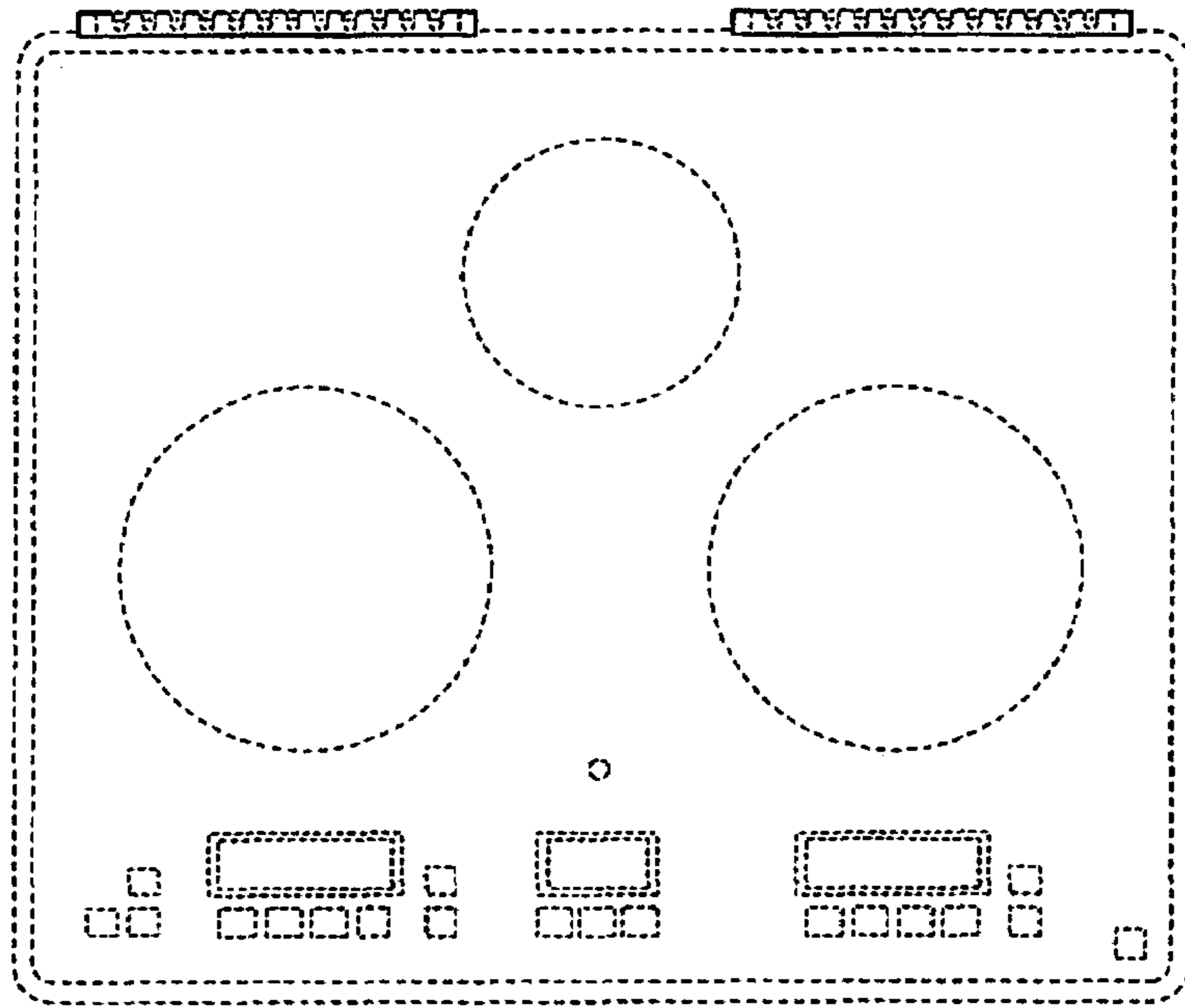


FIG. 3

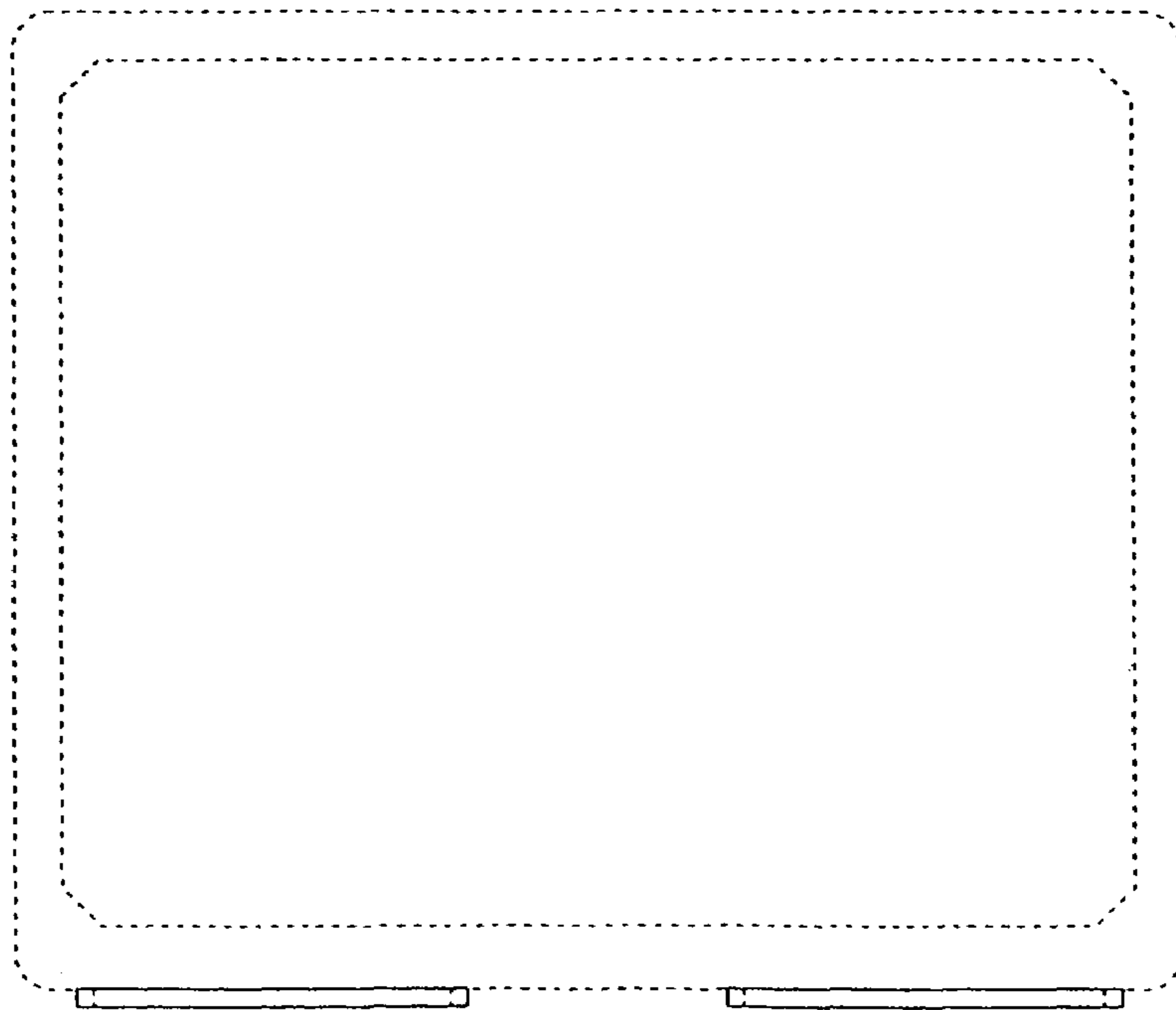


FIG. 4



FIG. 5

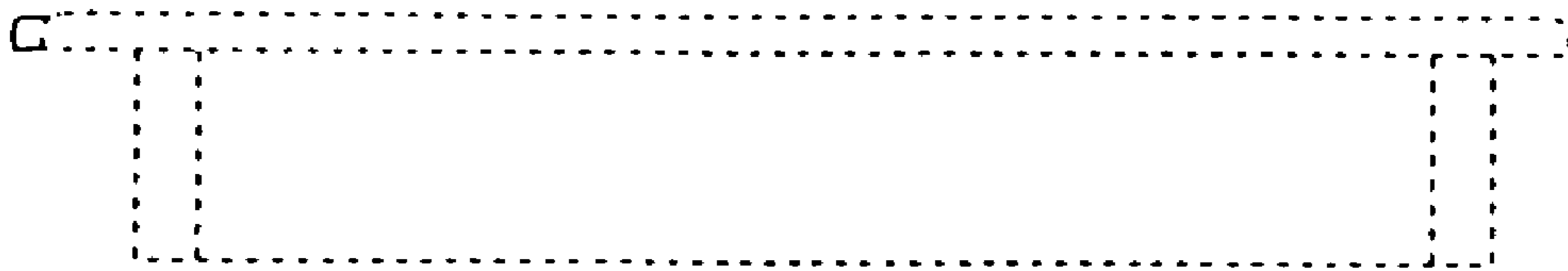


FIG. 6

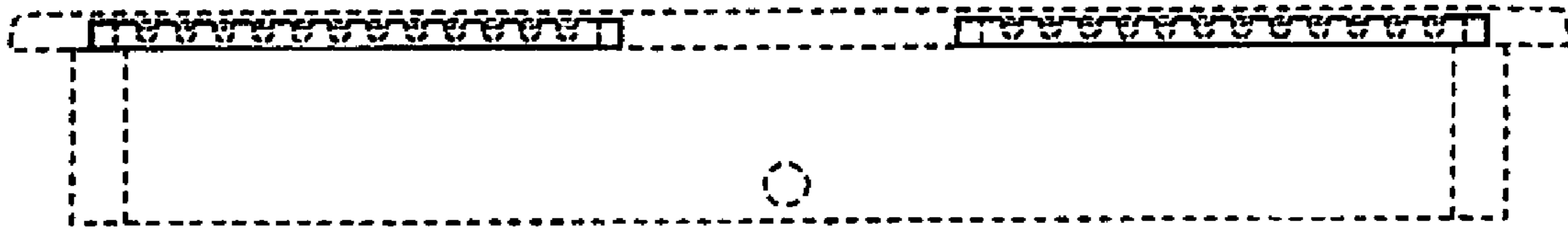


FIG. 7

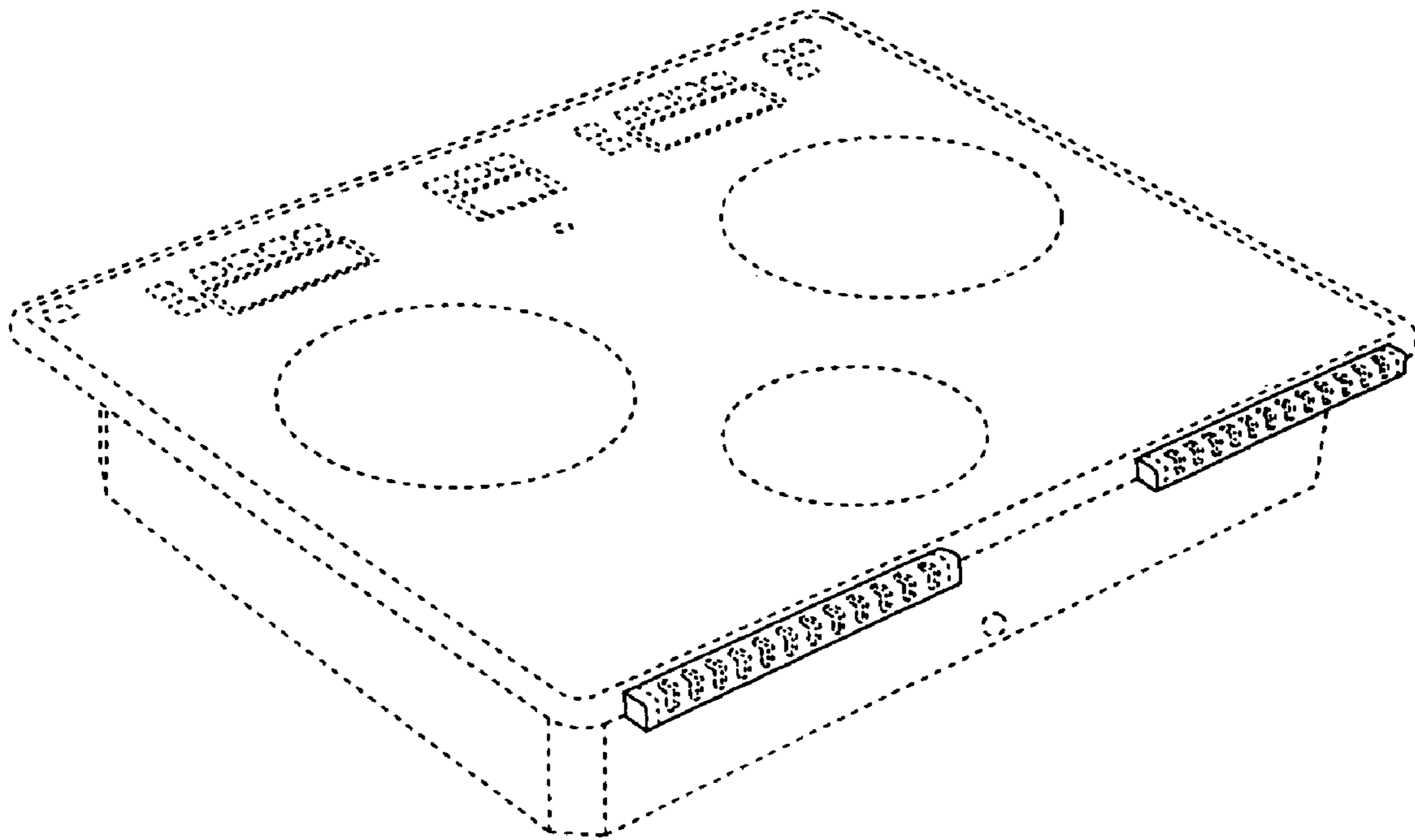


FIG. 8