



US00D545603S

(12) **United States Design Patent**
Hurt

(10) **Patent No.:** **US D545,603 S**
(45) **Date of Patent:** **** Jul. 3, 2007**

(54) **WALL-MOUNTABLE ORGANIZER**

(75) Inventor: **Daniel P. Hurt**, Spring Park, MN (US)

(73) Assignee: **Legacy Holdings, Inc.**, Watertown, MN (US)

(**) Term: **14 Years**

(21) Appl. No.: **29/230,060**

(22) Filed: **May 16, 2005**

(51) **LOC (8) Cl.** **06-04**

(52) **U.S. Cl.** **D6/566**

(58) **Field of Classification Search** D6/524-252,
D6/553, 566, 567; D8/367; 211/30-31,
211/34-35, 13.1, 41.4, 71.6, 106, 71.01, 85.31,
211/86.01, 87.01, 90.03

See application file for complete search history.

(56) **References Cited**

U.S. PATENT DOCUMENTS

D243,898 S * 4/1977 Micciche D6/524

D317,993 S * 7/1991 Grey D6/553

D335,403 S * 5/1993 Rittenberg D6/566

D501,106 S * 1/2005 Suero, Jr. D6/566

* cited by examiner

Primary Examiner—Brian N Vinson
(74) *Attorney, Agent, or Firm*—Haugen Law Firm

(57) **CLAIM**

The ornamental design for a wall-mountable organizer, as shown and described.

DESCRIPTION

FIG. 1 is a front perspective view of a wall-mountable organizer of the present design;

FIG. 2 is a front elevational view of a wall-mountable organizer of the present design;

FIG. 3 is a rear elevational view of a wall-mountable organizer of the present design;

FIG. 4 is a side view of a first side of a wall-mountable organizer of the present design;

FIG. 5 is a side view of a second side of a wall-mountable organizer of the present design;

FIG. 6 is a top view of a wall-mountable organizer of the present design; and,

FIG. 7 is a bottom view of a wall-mountable organizer of the present design.

1 Claim, 5 Drawing Sheets

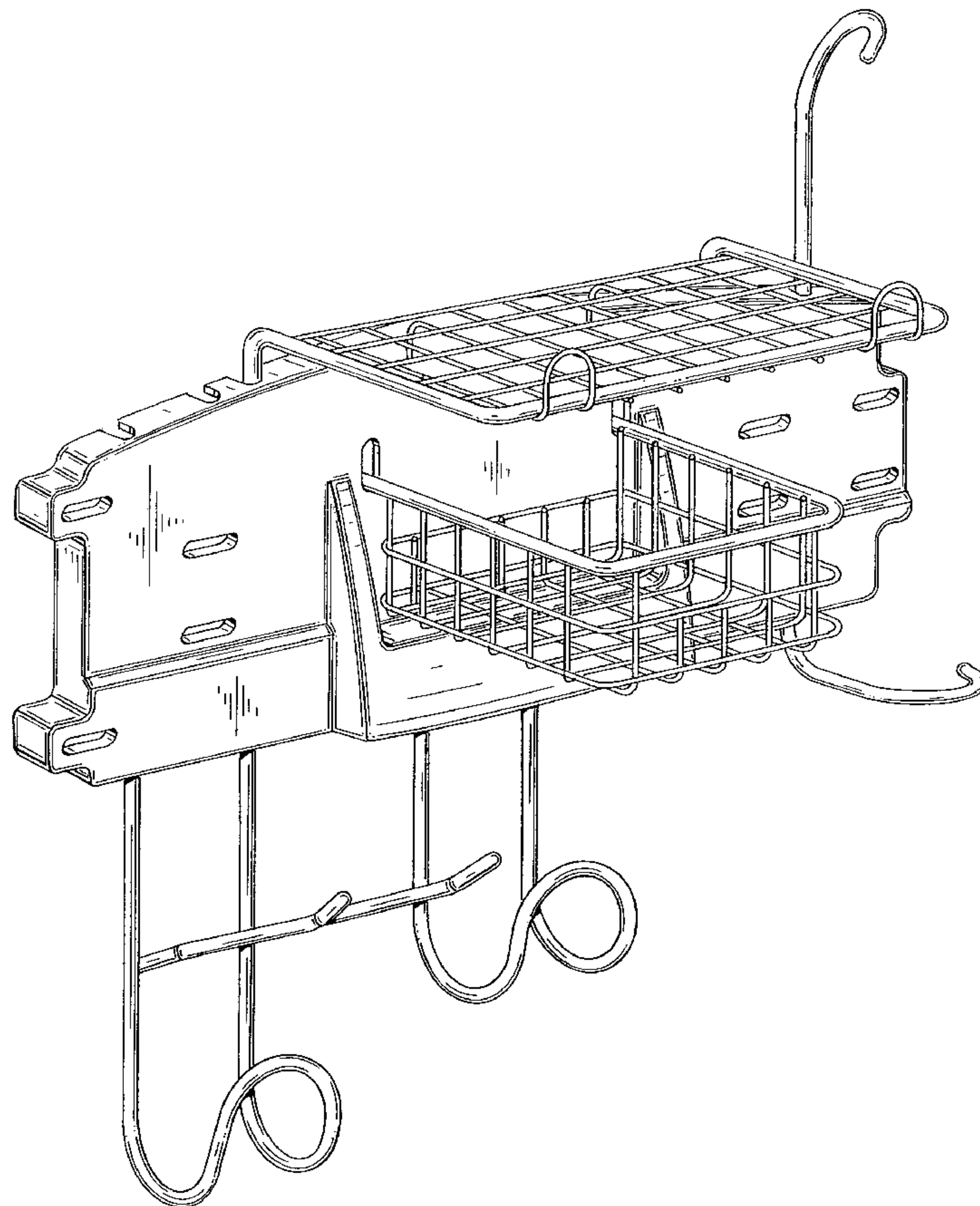


Fig.-1

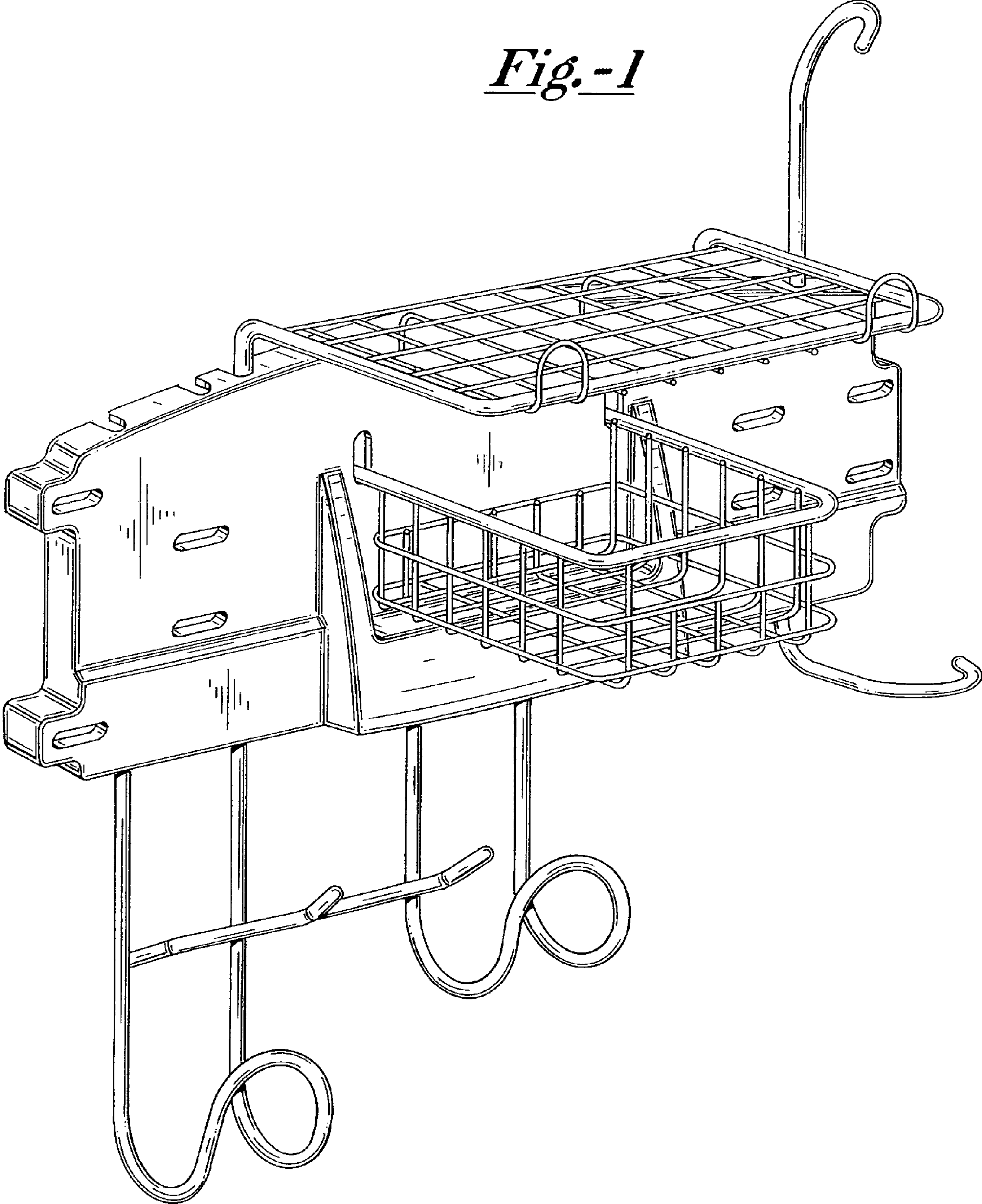
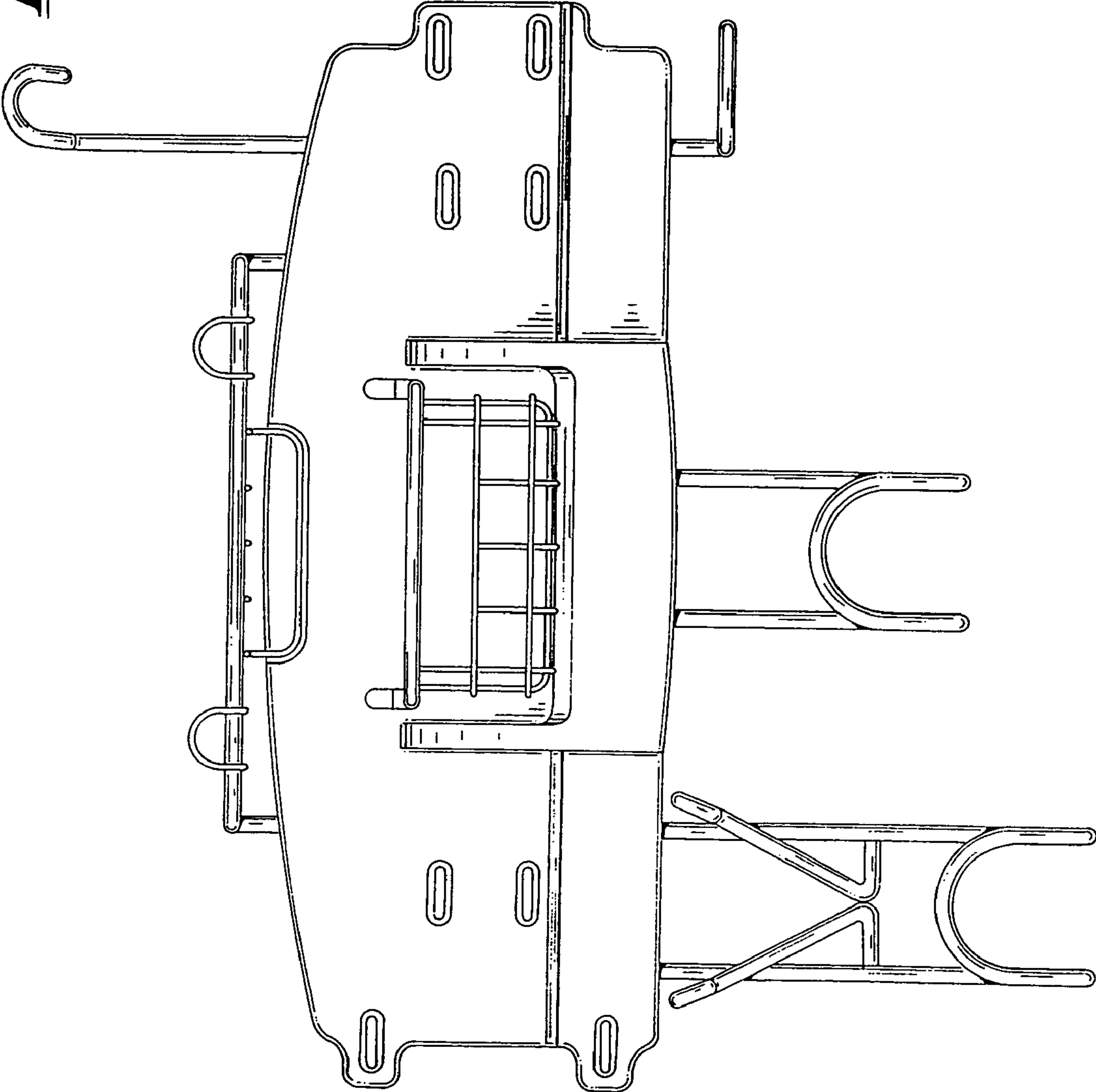


Fig.-2



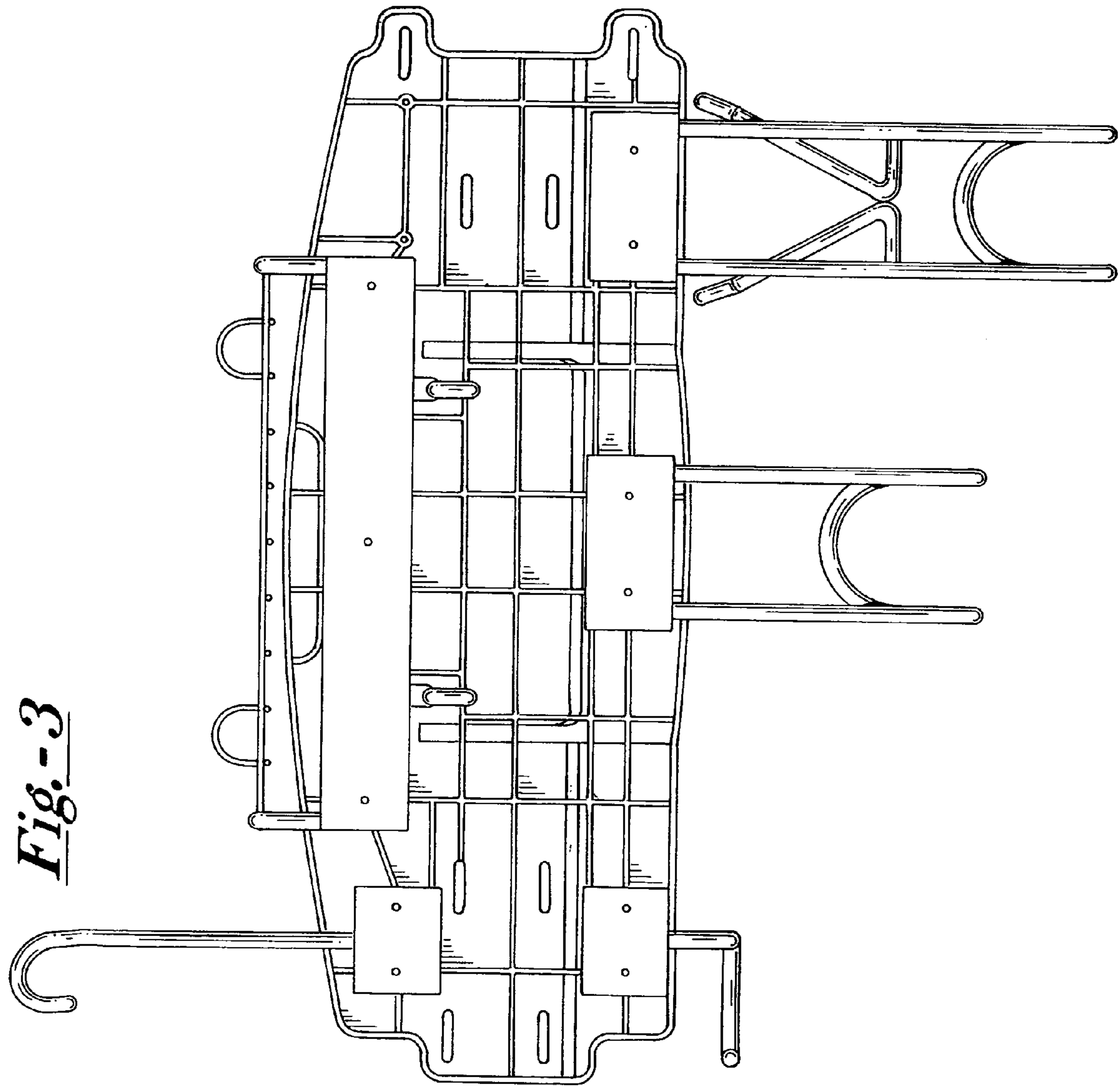


Fig.-5

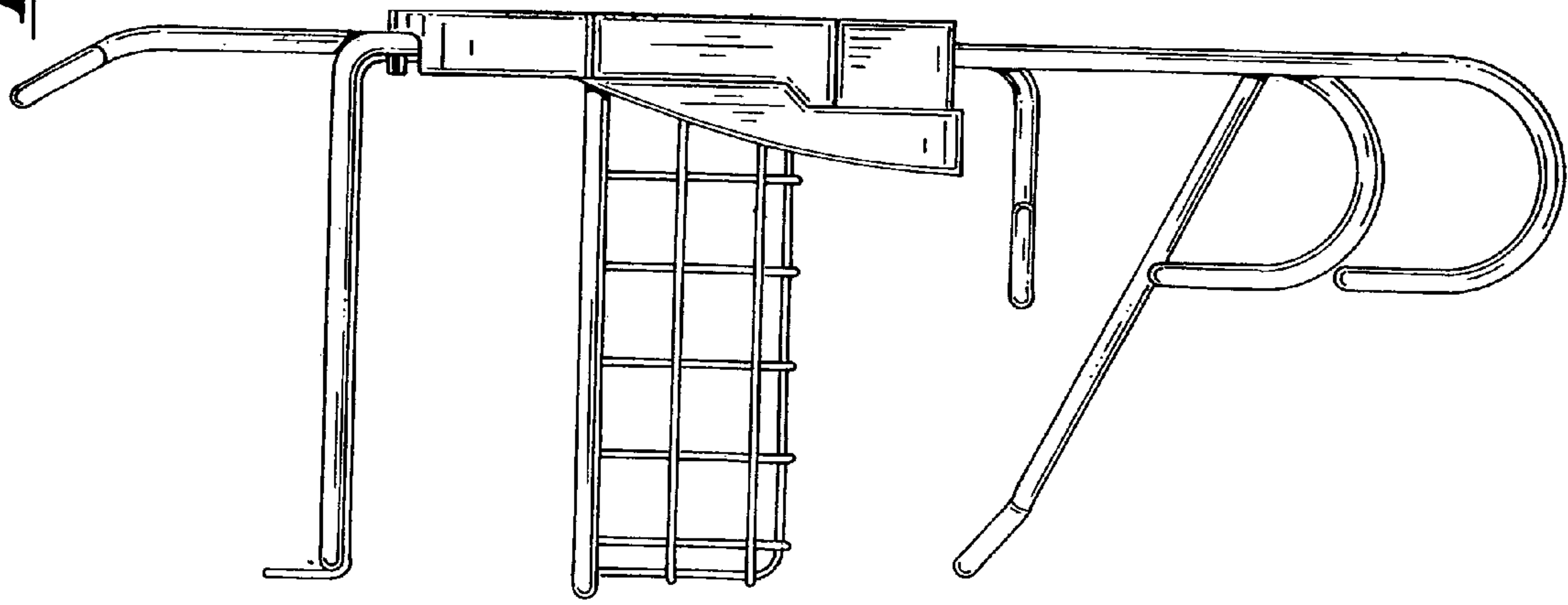


Fig.-4

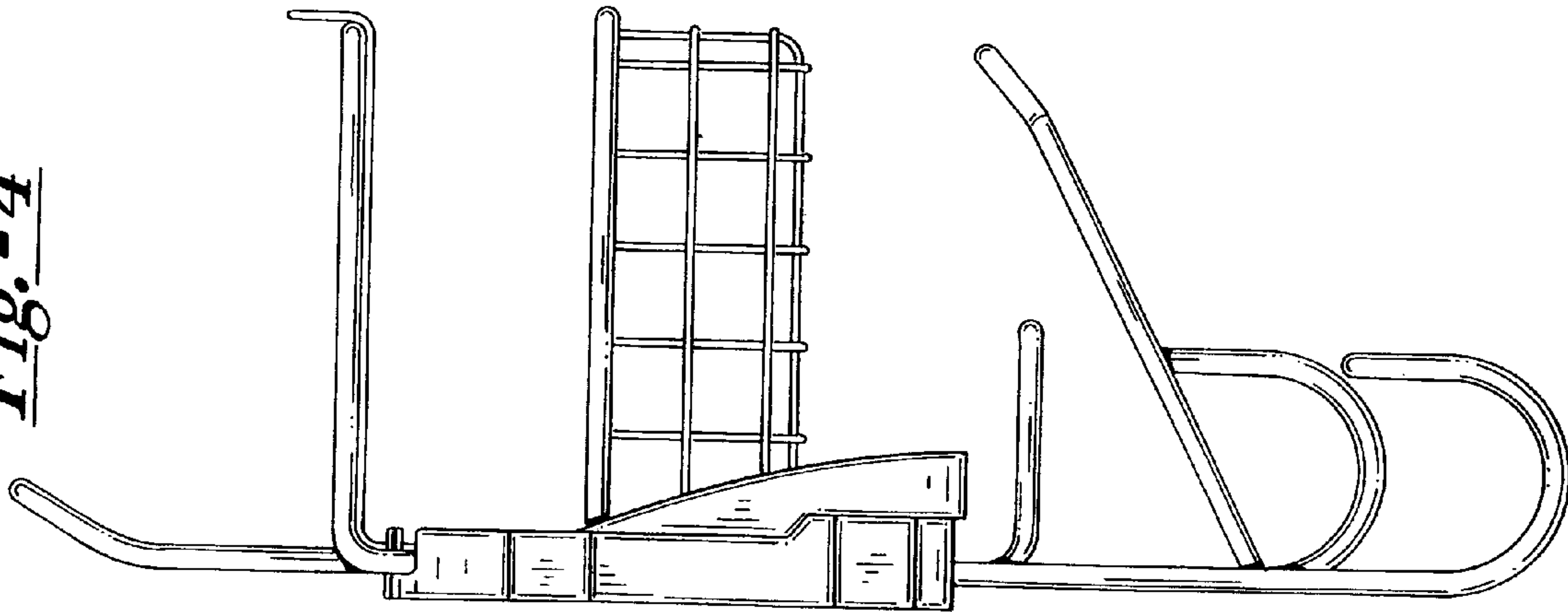


Fig.-6

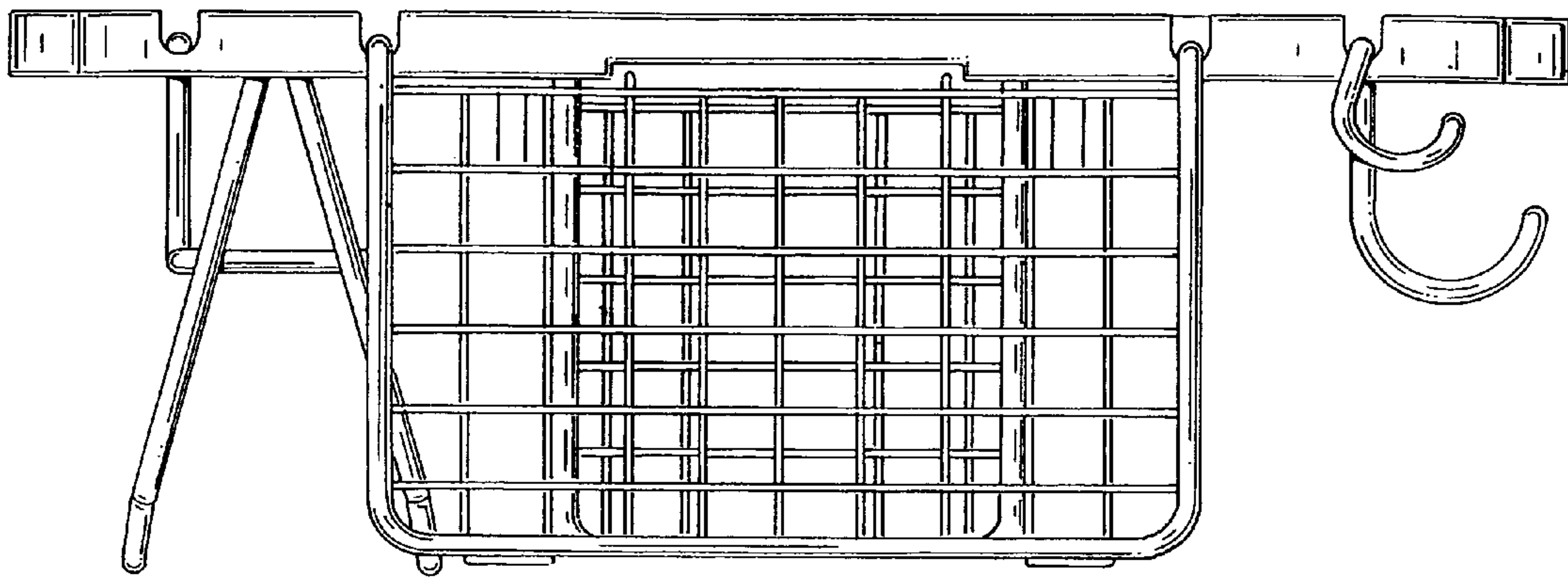


Fig.-7

