



US00D545602S

(12) **United States Design Patent**  
**Hurt**

(10) **Patent No.:** **US D545,602 S**  
(45) **Date of Patent:** **\*\* Jul. 3, 2007**

(54) **WALL-MOUNTABLE ORGANIZER**

(75) Inventor: **Daniel P. Hurt**, Spring Park, MN (US)

(73) Assignee: **Legacy Holdings, Inc.**, Watertown, MN (US)

(\*\*) Term: **14 Years**

(21) Appl. No.: **29/230,036**

(22) Filed: **May 16, 2005**

(51) **LOC (8) Cl.** ..... **06-04**

(52) **U.S. Cl.** ..... **D6/566**

(58) **Field of Classification Search** ..... D6/524-252,  
D6/553, 566, 567; D8/367; 211/30-31,  
211/34-35, 13.1, 41.4, 71.6, 106, 71.01, 85.31,  
211/86.01, 87.01, 90.03

See application file for complete search history.

(56) **References Cited**

**U.S. PATENT DOCUMENTS**

|              |        |                  |        |
|--------------|--------|------------------|--------|
| D243,898 S * | 4/1977 | Micciche .....   | D6/524 |
| D317,993 S * | 7/1991 | Grey .....       | D6/553 |
| D335,403 S * | 5/1993 | Rittenberg ..... | D6/566 |
| D501,106 S * | 1/2005 | Suero, Jr. ....  | D6/566 |

\* cited by examiner

*Primary Examiner*—Brian N Vinson  
(74) *Attorney, Agent, or Firm*—Haugen Law Firm PLLP

(57) **CLAIM**

The ornamental design for a wall-mountable organizer, as shown and described.

**DESCRIPTION**

FIG. 1 is a front perspective view of a wall-mountable organizer of the present design;

FIG. 2 is a front elevational view of a wall-mountable organizer of the present design;

FIG. 3 is a rear elevational view of a wall-mountable organizer of the present design;

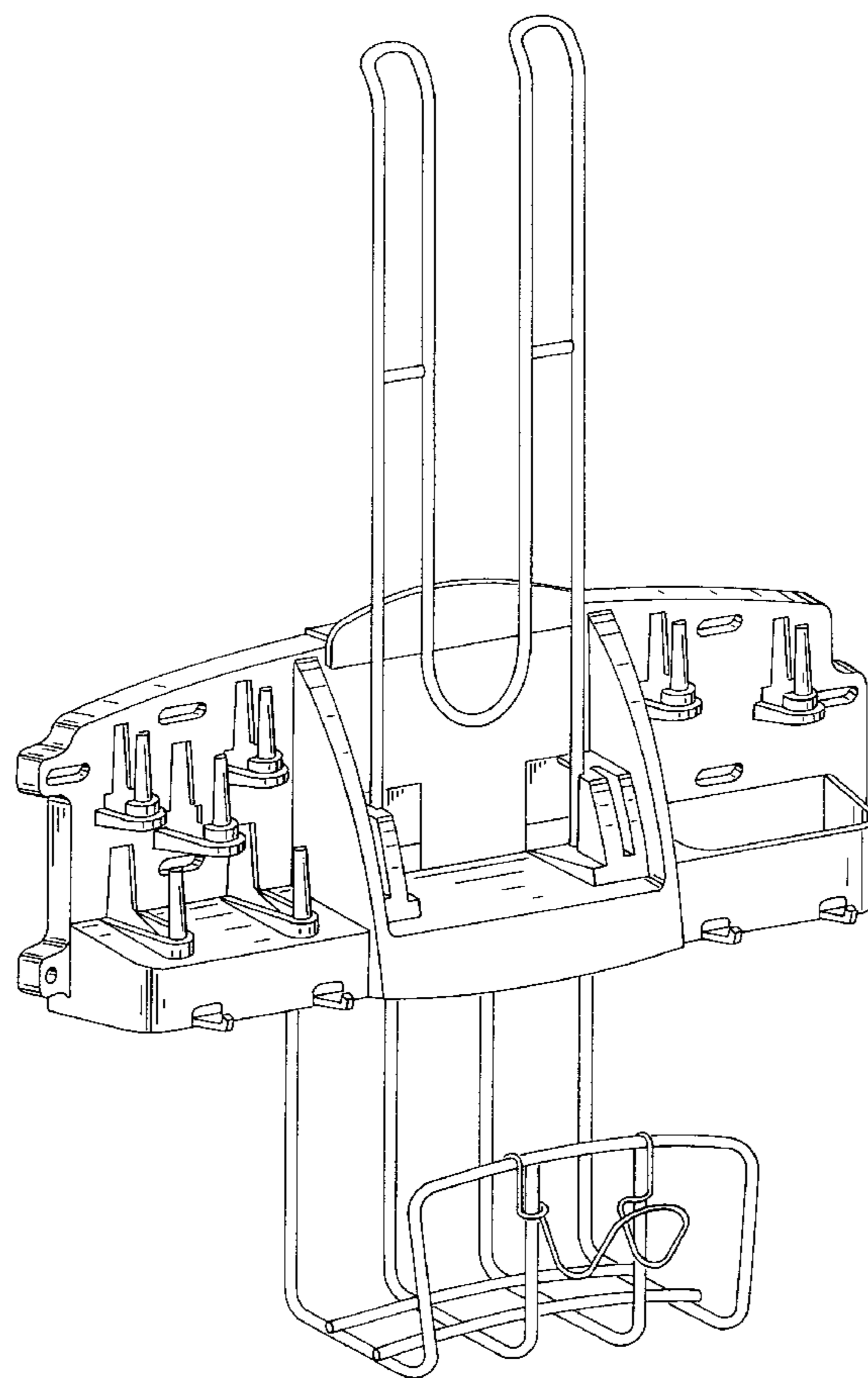
FIG. 4 is a side view of a first side of a wall-mountable organizer of the present design;

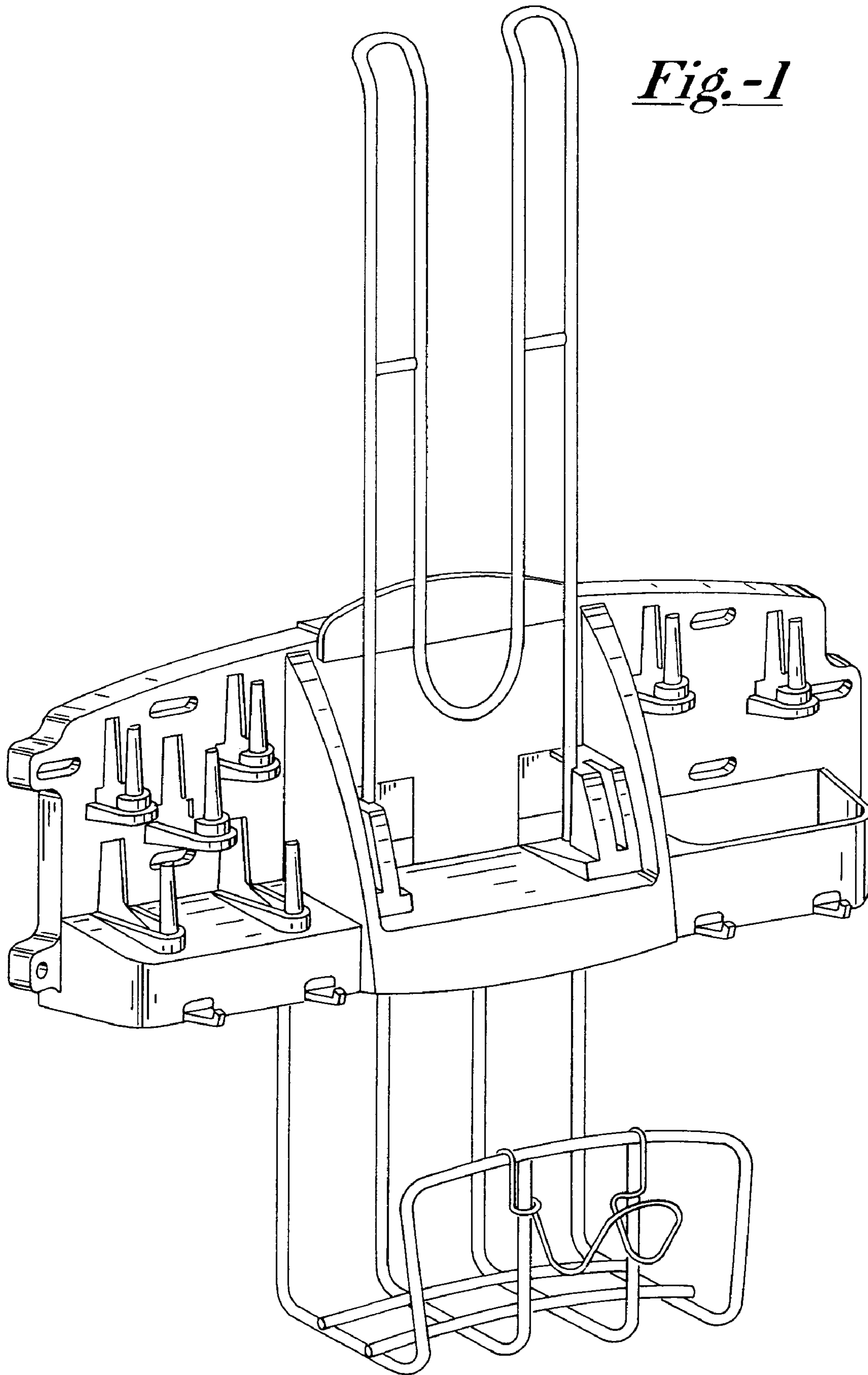
FIG. 5 is a side view of a second side of a wall-mountable organizer of the present design;

FIG. 6 is a top view of a wall-mountable organizer of the present design; and,

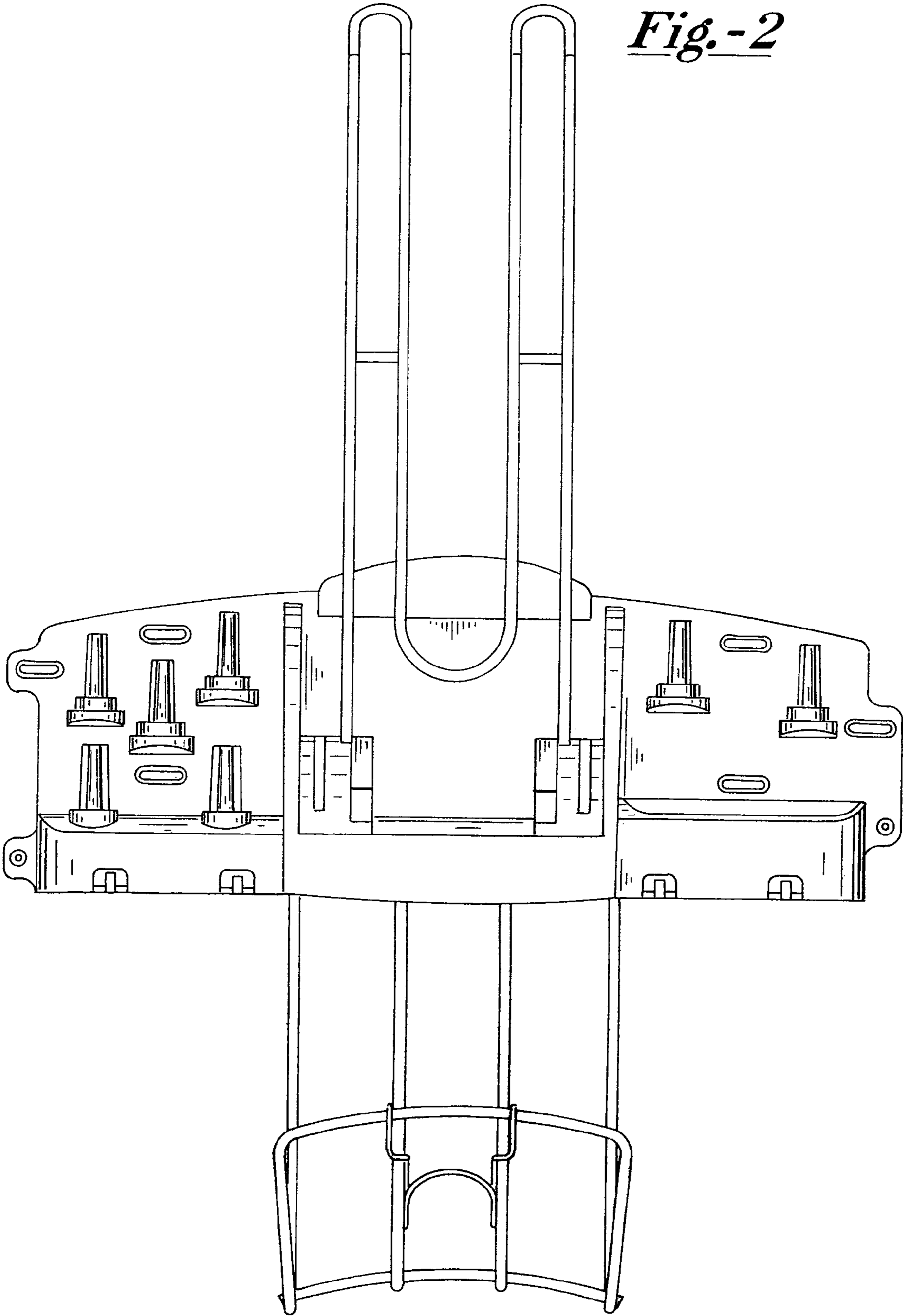
FIG. 7 is a bottom view of a wall-mountable organizer of the present design.

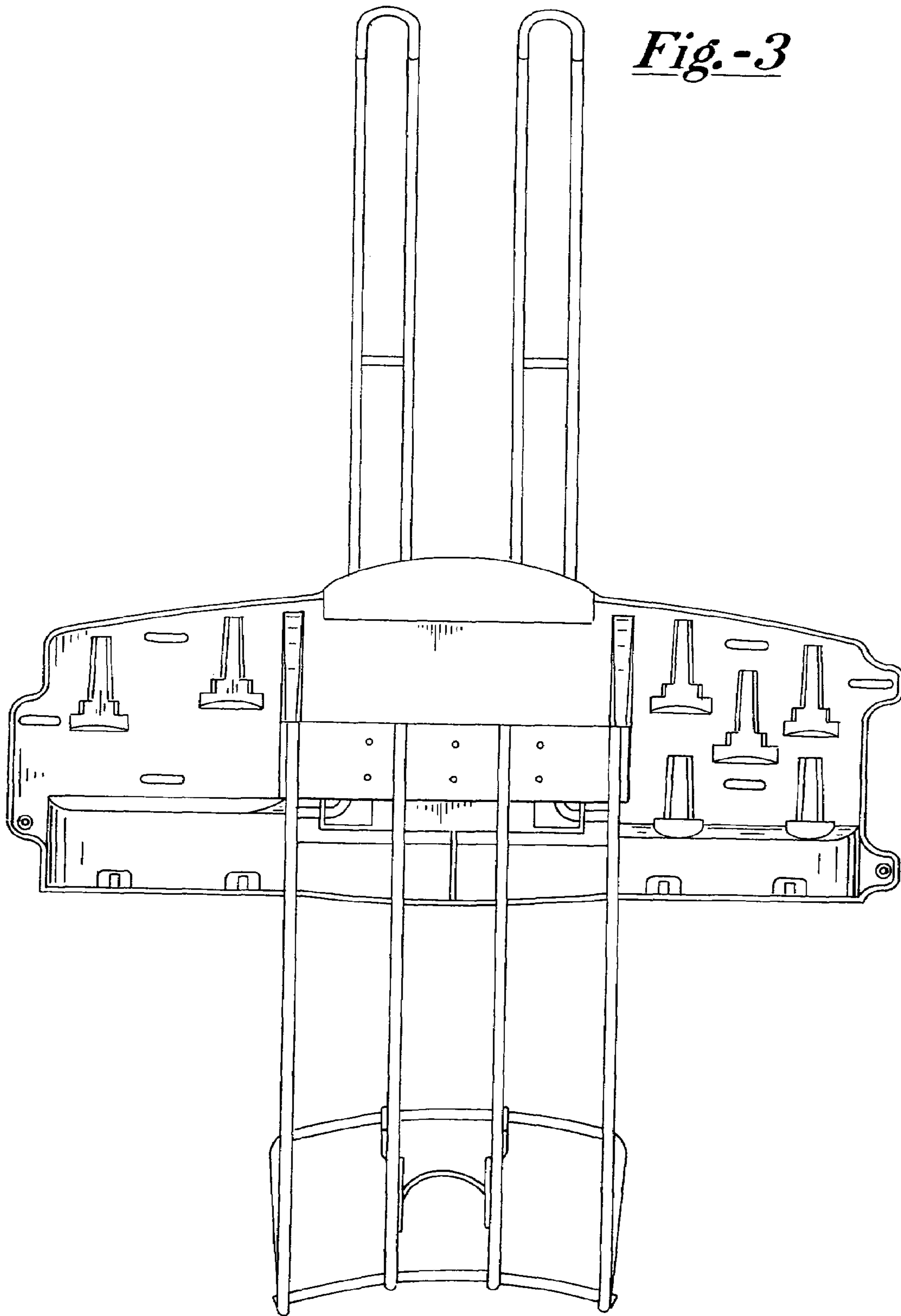
**1 Claim, 5 Drawing Sheets**

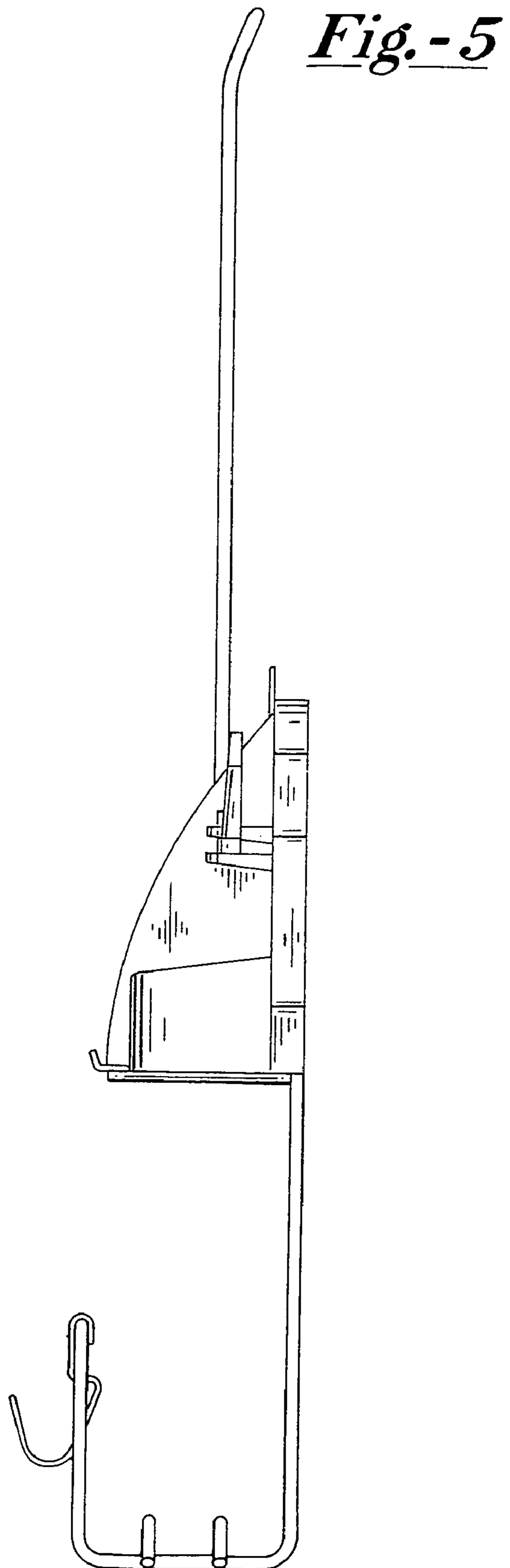
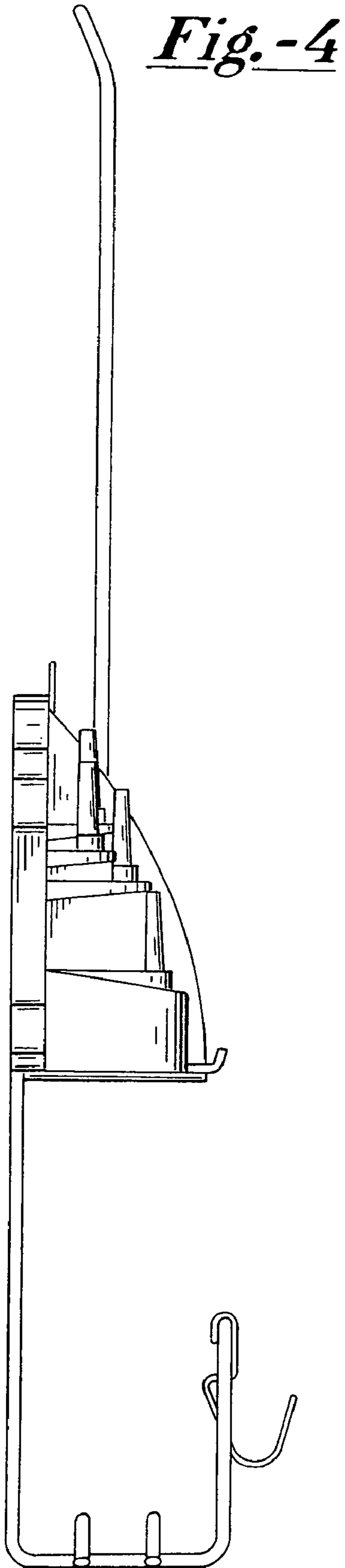




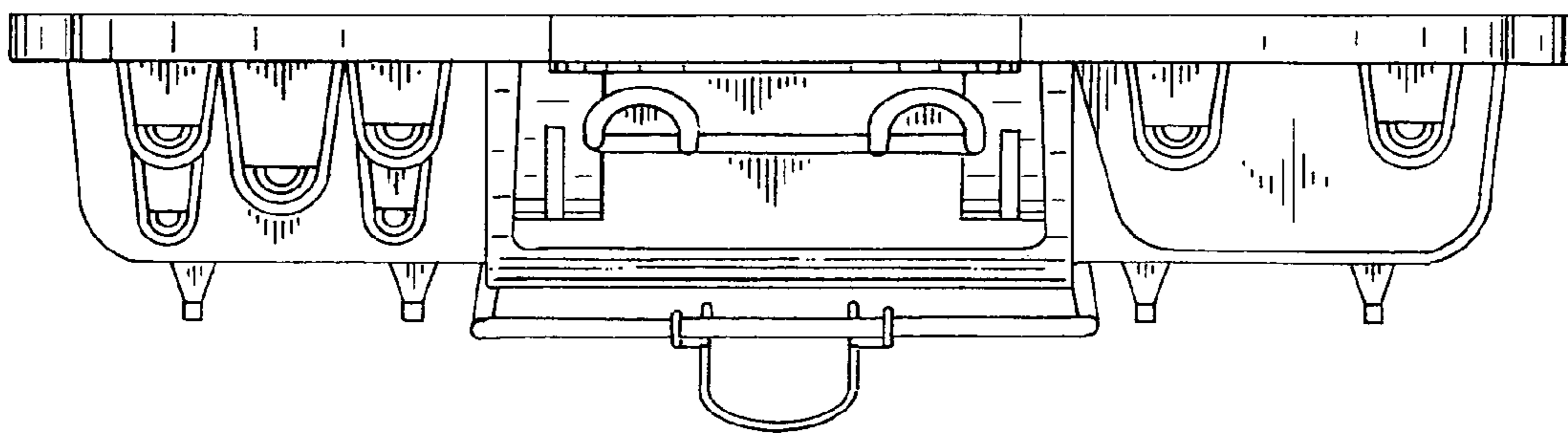
*Fig.-2*







*Fig.-6*



*Fig.-7*

