



US00D545599S

(12) **United States Design Patent**  
**Yu**

(10) **Patent No.:** **US D545,599 S**

(45) **Date of Patent:** **\*\* Jul. 3, 2007**

(54) **PAPER TOWEL HOLDER**

(75) Inventor: **Kwok Leung Yu**, Kwai Chung (HK)

(73) Assignee: **Ko Fung Products Industrial Limited**,  
Kwai Chung, New Territories (HK)

(\*\*) Term: **14 Years**

(21) Appl. No.: **29/262,614**

(22) Filed: **Jul. 7, 2006**

(51) **LOC (8) Cl.** ..... **20-02**

(52) **U.S. Cl.** ..... **D6/521**

(58) **Field of Classification Search** ..... D6/518-523;  
206/389, 391; 211/13.1, 59.1, 45, 89.01;  
242/570, 590, 597, 597.7, 130.2; 248/309.1,  
248/309.2

See application file for complete search history.

(56) **References Cited**

**U.S. PATENT DOCUMENTS**

- D298,597 S \* 11/1988 Bell ..... D6/521
- D432,828 S \* 10/2000 Snell ..... D6/522
- D474,360 S \* 5/2003 Yip ..... D6/521
- D479,072 S \* 9/2003 Duncan et al. .... D6/521

- D489,558 S \* 5/2004 Snell ..... D6/521
- D499,916 S \* 12/2004 Yang et al. .... D6/521
- D507,716 S \* 7/2005 Snow et al. .... D6/521

\* cited by examiner

*Primary Examiner*—Brian N Vinson

(74) *Attorney, Agent, or Firm*—McCormick, Paulding & Huber LLP

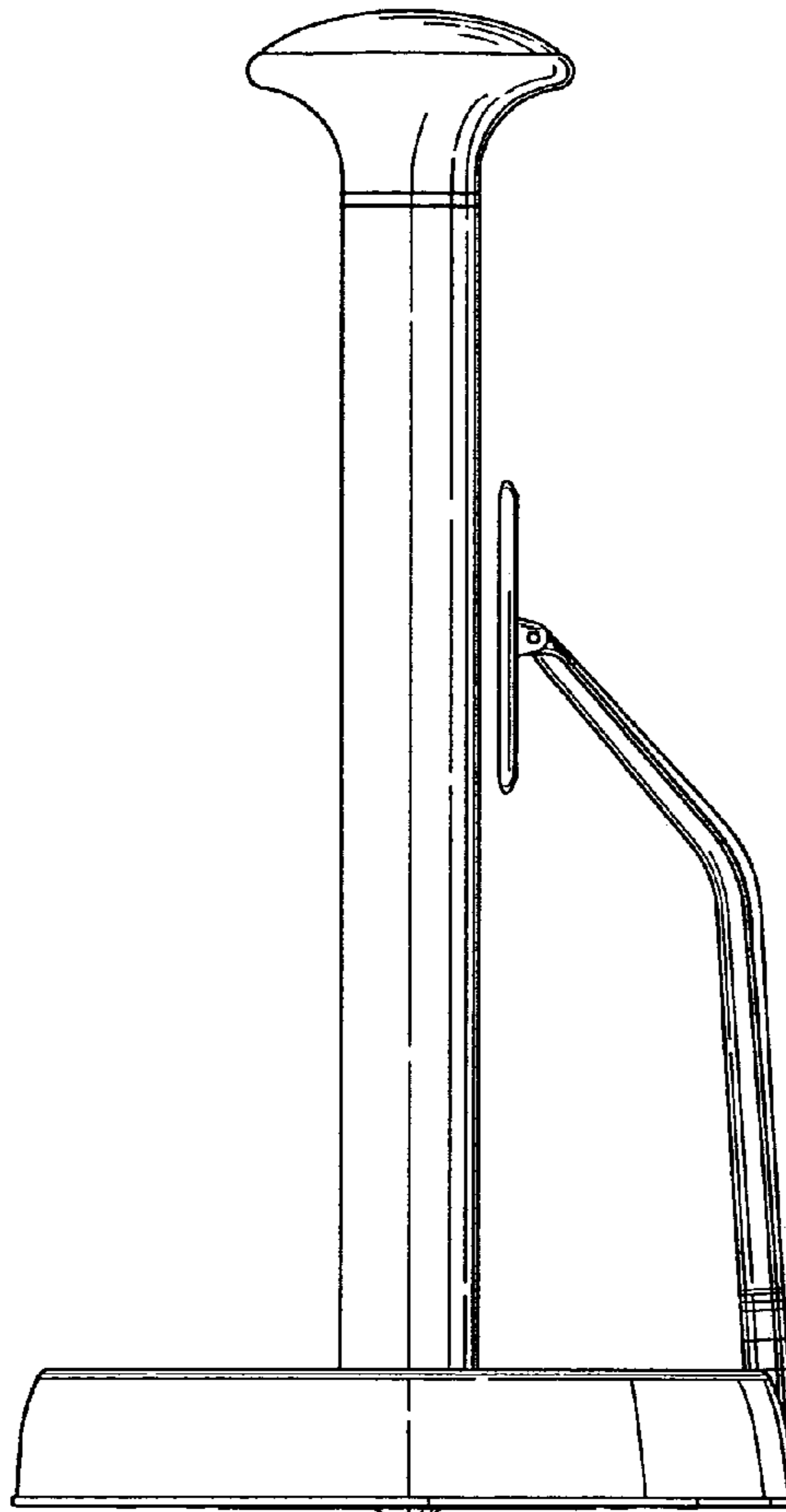
(57) **CLAIM**

The ornamental design for a paper towel holder, as shown and described.

**DESCRIPTION**

FIG. 1 is a front view of a paper towel holder;  
 FIG. 2 is a left side view of a paper towel holder;  
 FIG. 3 is a right side view of a paper towel holder;  
 FIG. 4 is a top plan view of a paper towel holder;  
 FIG. 5 is a bottom plan view of a paper towel holder;  
 FIG. 6 is a back view of a paper towel holder; and,  
 FIG. 7 is a perspective view of a paper towel holder.

**1 Claim, 6 Drawing Sheets**



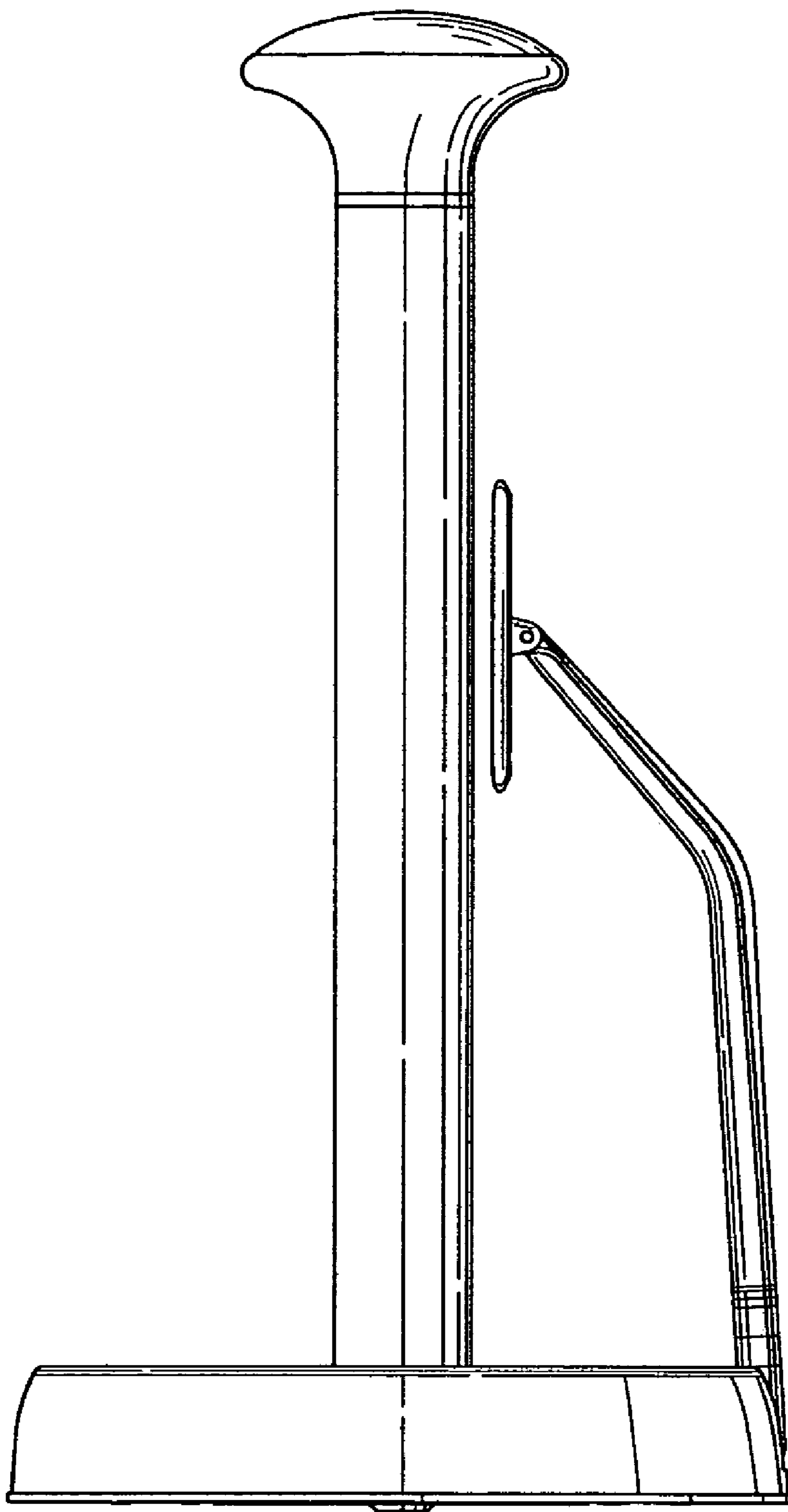


FIG. 1

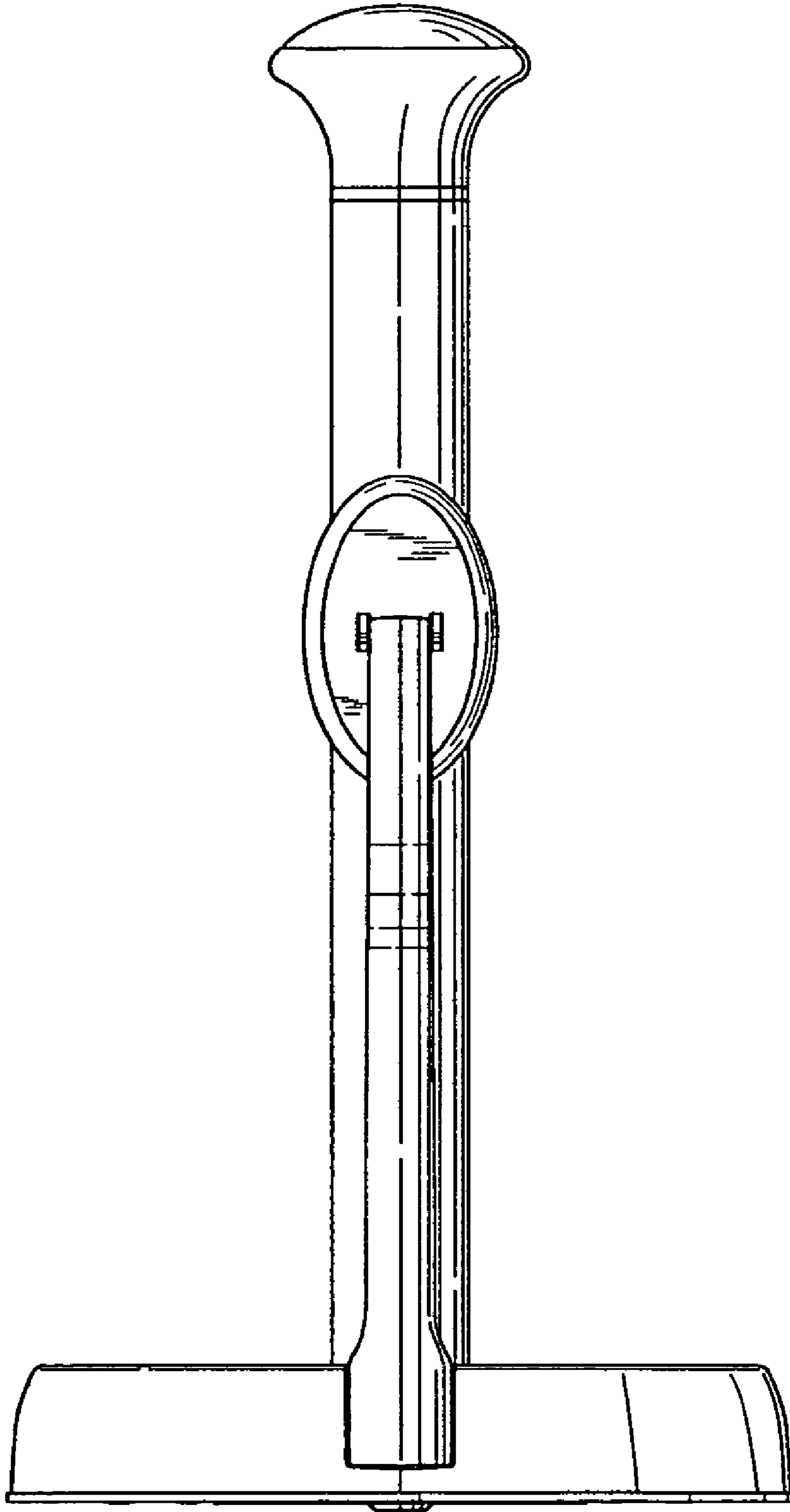


FIG.2

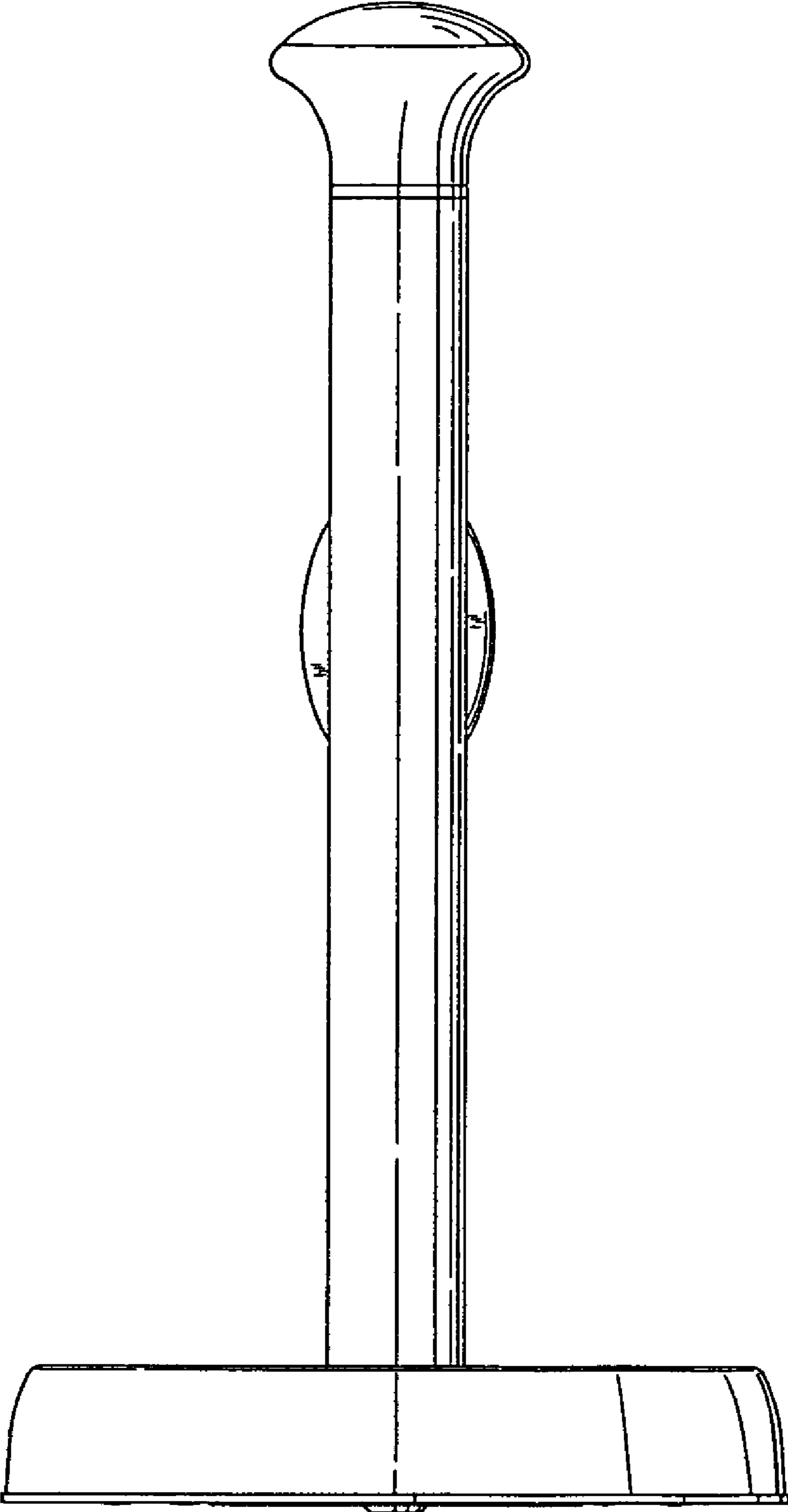


FIG.3

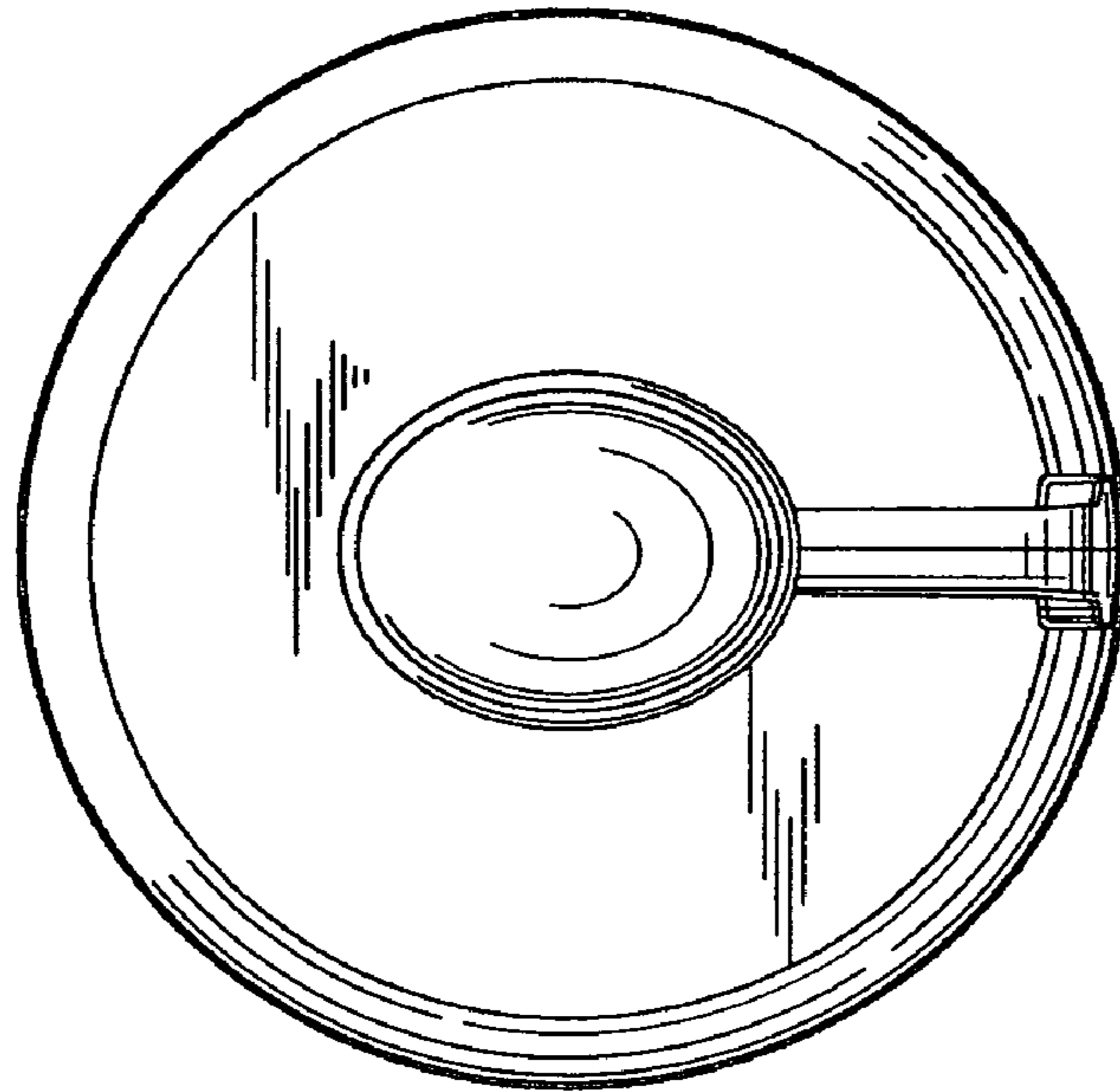


FIG. 4

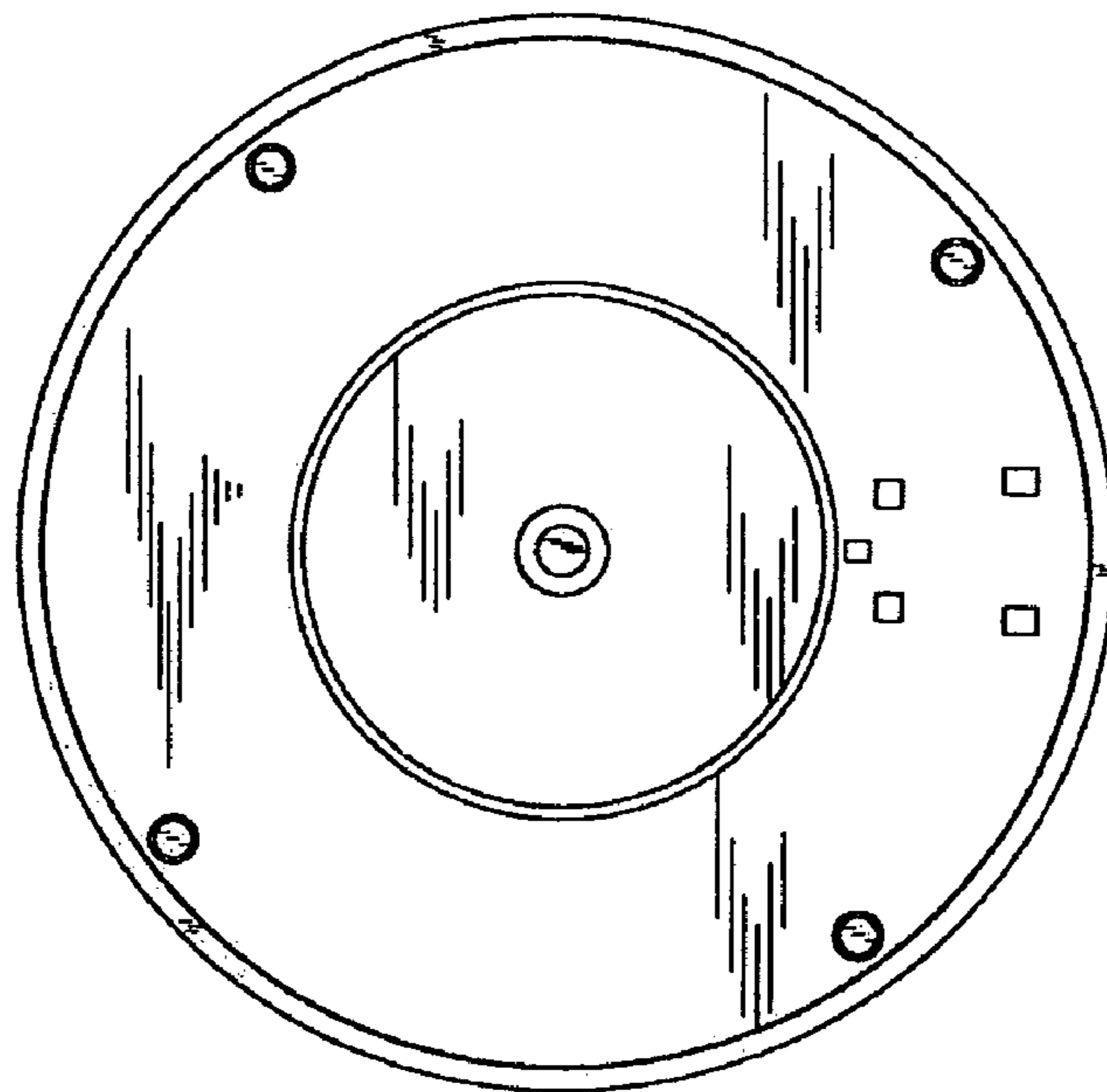


FIG. 5

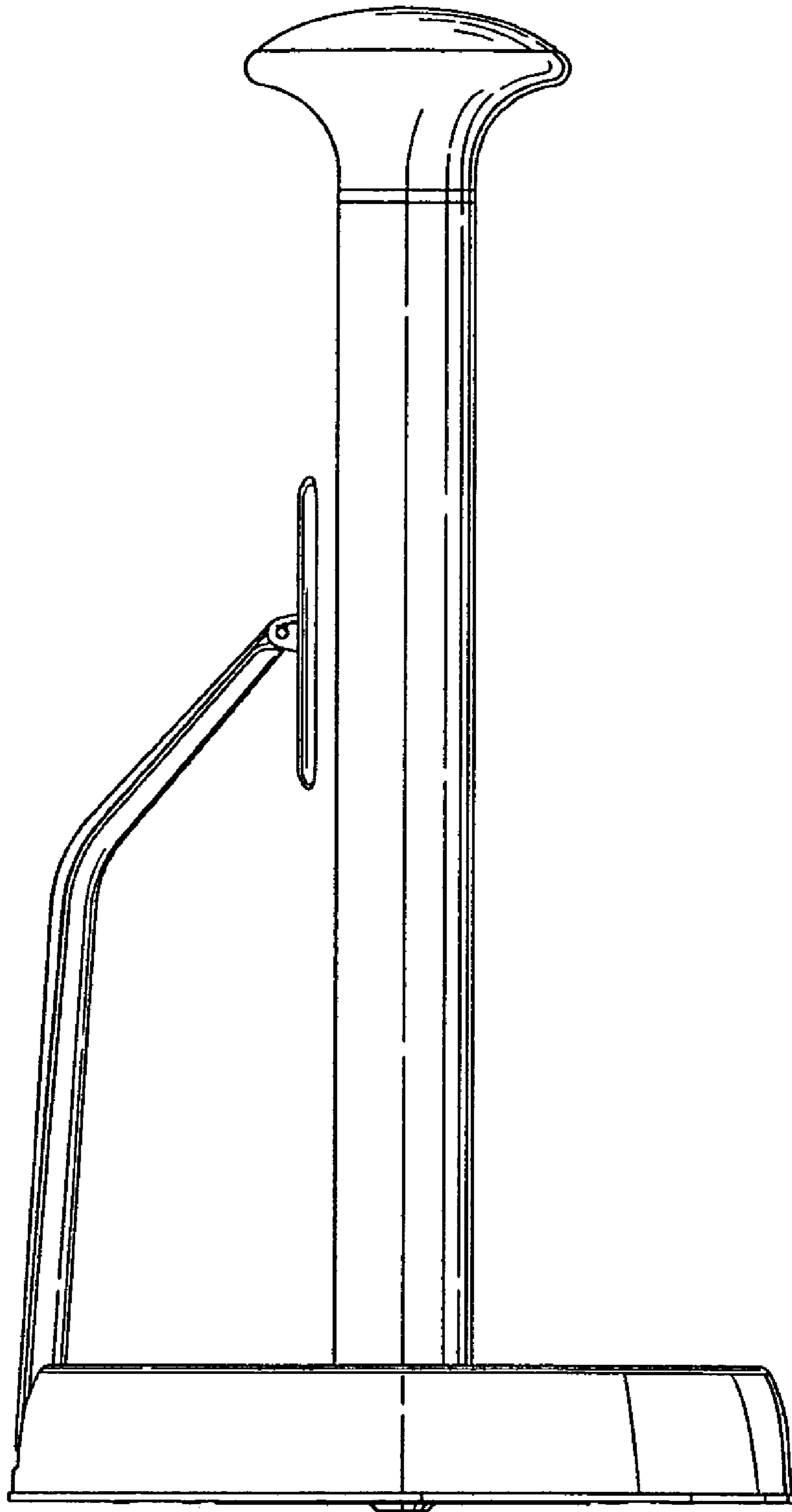


FIG.6

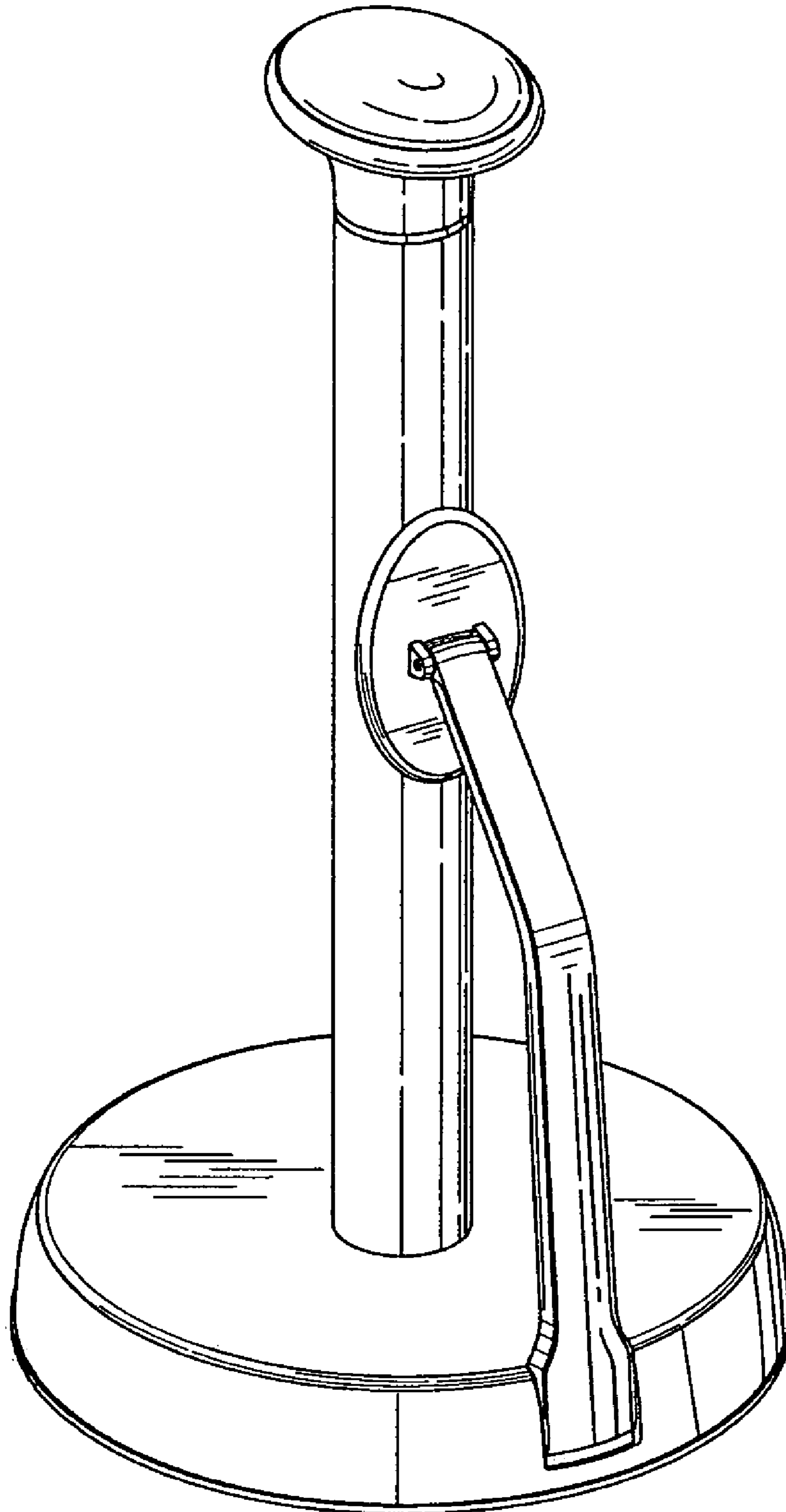


FIG. 7