

US00D545598S

(12) **United States Design Patent** (10) **Patent No.:** **US D545,598 S**  
**Held** (45) **Date of Patent:** **\*\* Jul. 3, 2007**

(54) **COVER FOR FURNITURE FITTING**

(57) **CLAIM**

(75) Inventor: **Wolfgang Held**, Hard (AT)

The ornamental design for a cover for furniture fitting, as shown and described.

(73) Assignee: **Julius Blum GmbH**, Höchst (AT)

(\*\*) Term: **14 Years**

**DESCRIPTION**

(21) Appl. No.: **29/241,818**

(22) Filed: **Nov. 2, 2005**

(51) **LOC (8) Cl.** ..... **06-06**

(52) **U.S. Cl.** ..... **D6/500**

(58) **Field of Classification Search** ..... D6/334-336,  
D6/356, 366, 367, 375, 376, 379, 380, 491,  
D6/500-502; 297/411.2, 411.23, 411.26,  
297/411.35, 411.36, 411.38  
See application file for complete search history.

FIG. 1 is a top view of a cover for a furniture fitting according to the present design;

FIG. 2 is a bottom view thereof;

FIG. 3 is a perspective view of the cover from the rear, top and left side thereof;

FIG. 4 is a left side view;

FIG. 5 is a right side view;

FIG. 6 is a rear view;

FIG. 7 is a front view; and

FIG. 8 is another perspective view of the cover from the front, top and left side thereof;

FIG. 9 is a top view of a second embodiment of a cover for furniture fitting according to the present design;

FIG. 10 is a bottom view thereof;

FIG. 11 is a perspective view of the cover from the rear, top and left side thereof;

FIG. 12 is a left side view;

FIG. 13 is a right side view;

FIG. 14 is a rear view;

FIG. 15 is a front view; and,

FIG. 16 is another perspective view of the cover from the front, top and left side thereof.

(56) **References Cited**

**U.S. PATENT DOCUMENTS**

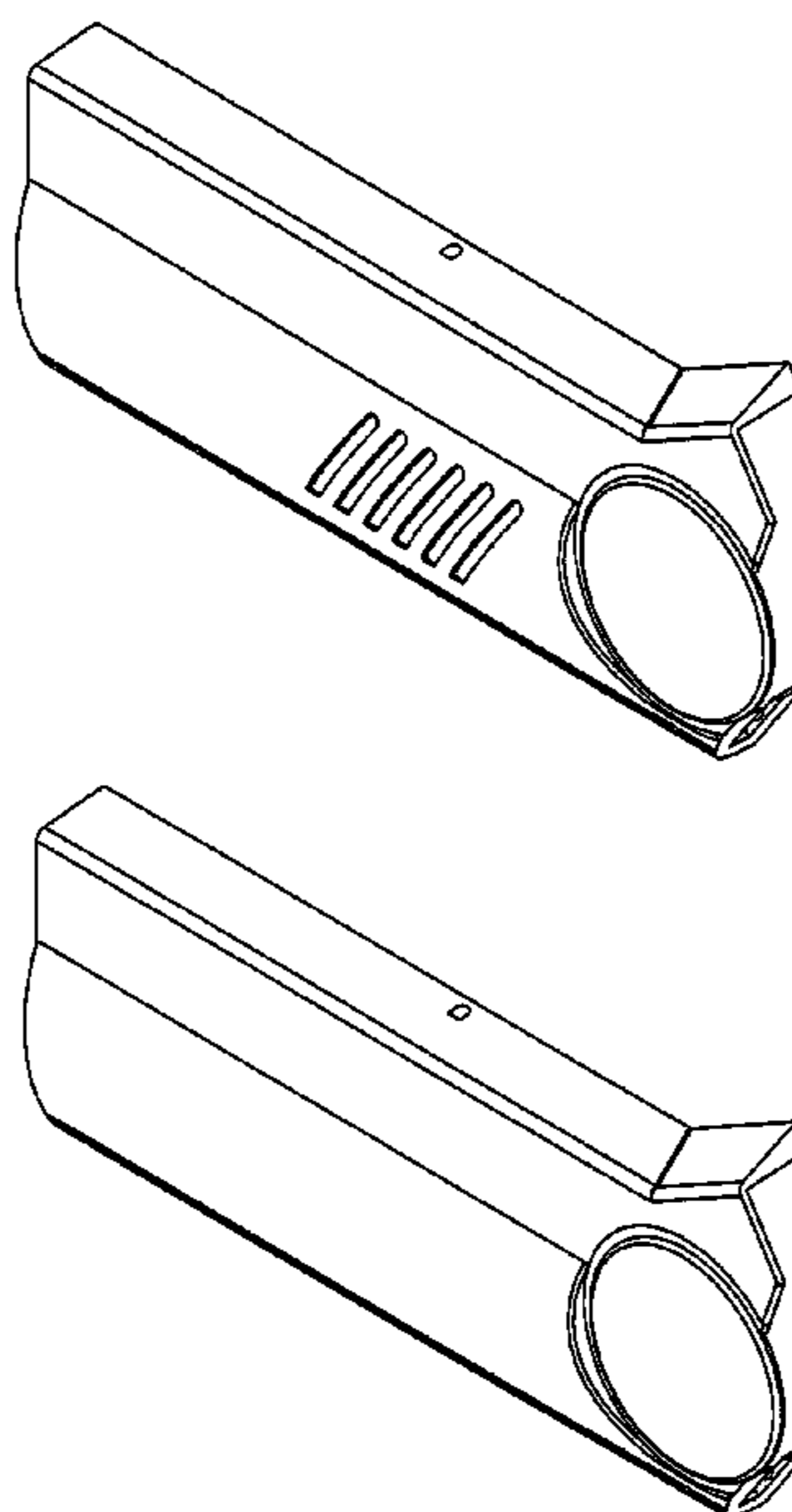
4,239,282	A *	12/1980	White	.....	297/411.36
4,807,935	A *	2/1989	King	.....	297/411.38
5,409,297	A *	4/1995	De Filippo	.....	297/411.38
5,458,399	A *	10/1995	Gezari et al.	.....	297/411.2
5,489,143	A *	2/1996	Adachi et al.	.....	297/411.38
5,743,595	A *	4/1998	Kirdulis	.....	297/411.38
5,769,495	A *	6/1998	Vairinen	.....	297/411.38
5,769,496	A *	6/1998	Gryp	.....	297/411.38
6,003,947	A *	12/1999	Rye	.....	297/411.38
6,382,726	B2 *	5/2002	Bullesbach et al.	....	297/411.38
6,467,847	B2 *	10/2002	Bidare	.....	297/411.35
6,776,455	B2 *	8/2004	Longtin et al.	.....	297/411.36
D534,005	S *	12/2006	Beermann	.....	D6/356

\* cited by examiner

*Primary Examiner*—Mimosa De

(74) *Attorney, Agent, or Firm*—Wenderoth, Lind & Ponack, L.L.P.

**1 Claim, 16 Drawing Sheets**



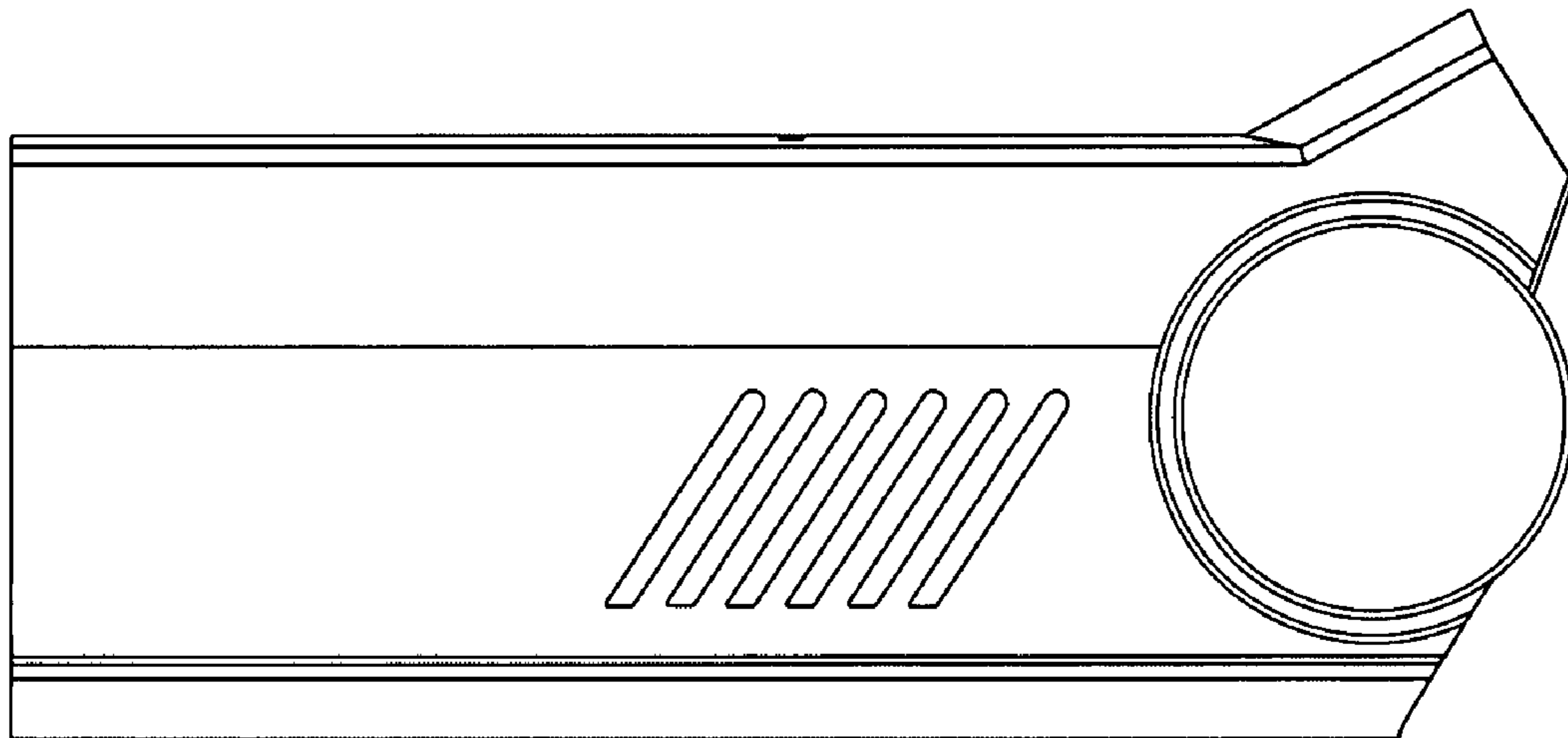


FIGURE 1

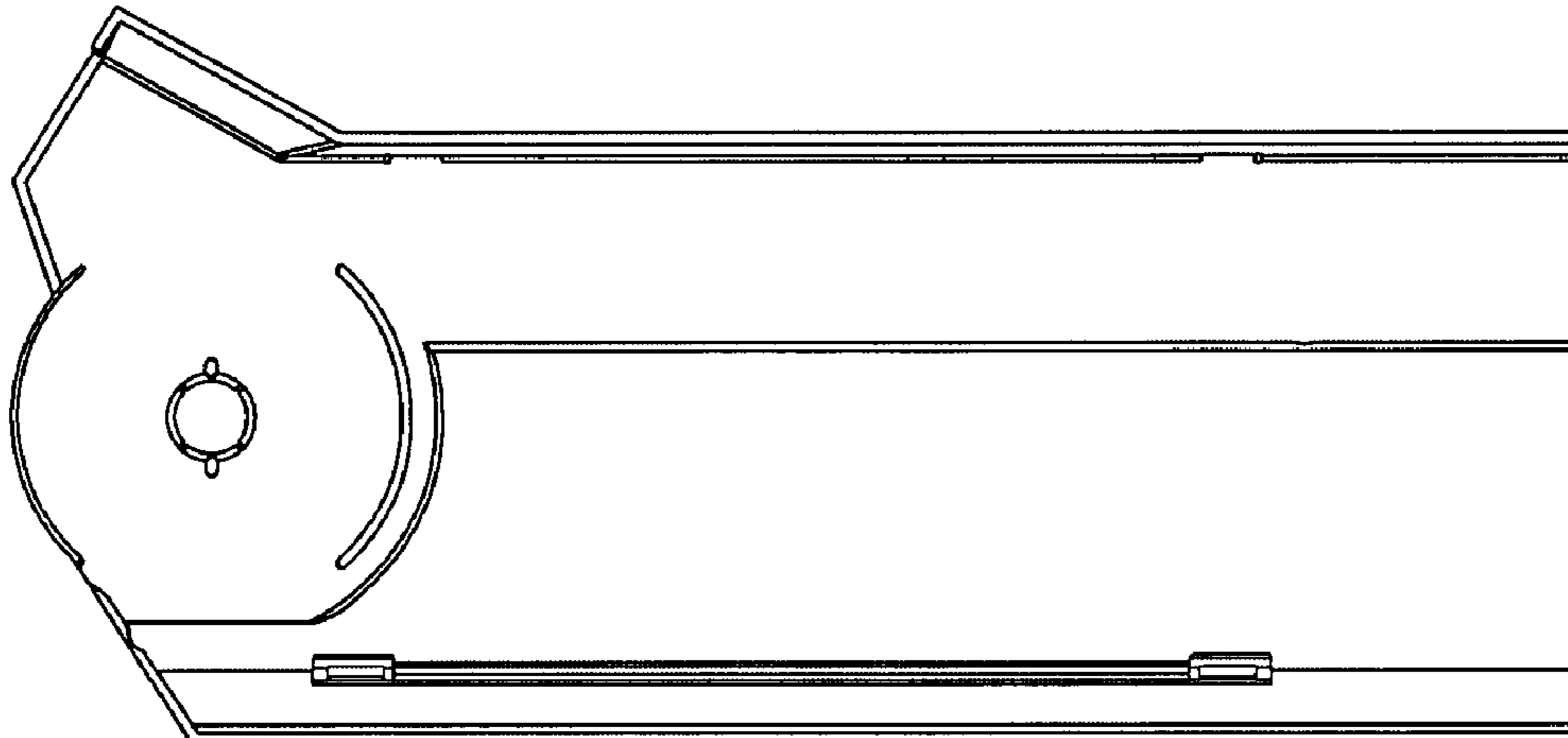


FIGURE 2

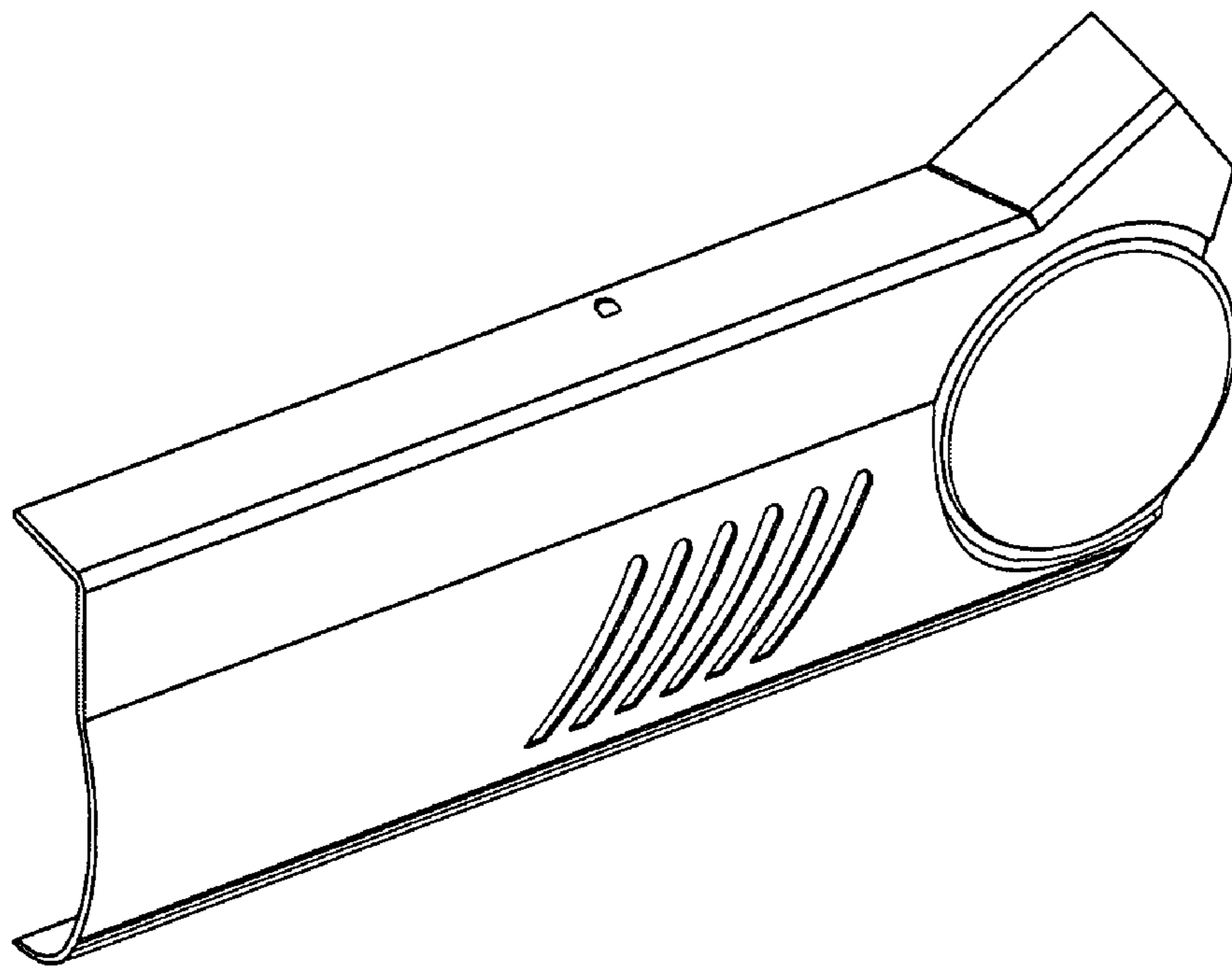


FIGURE 3

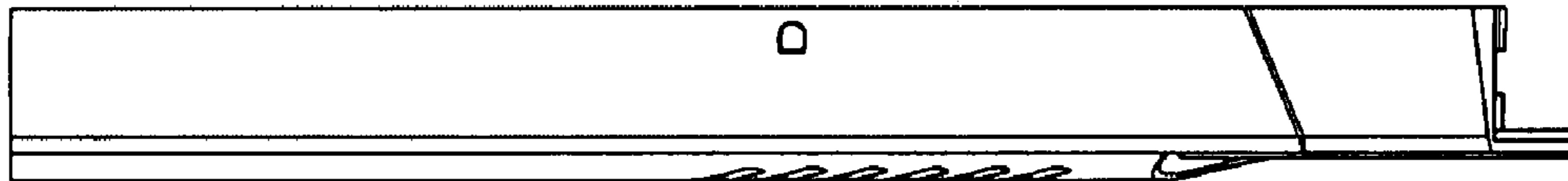


FIGURE 4

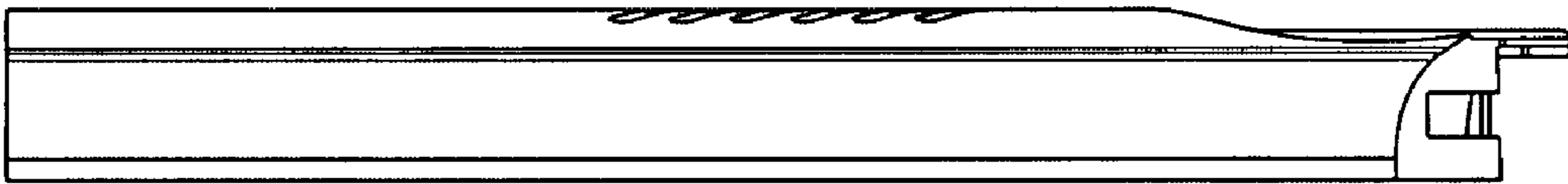


FIGURE 5

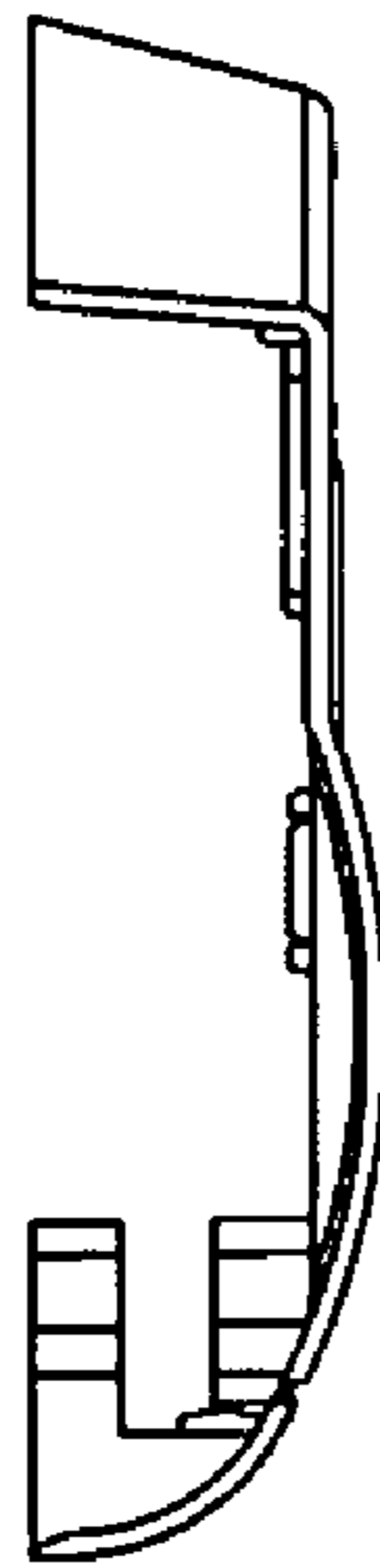


FIGURE 6

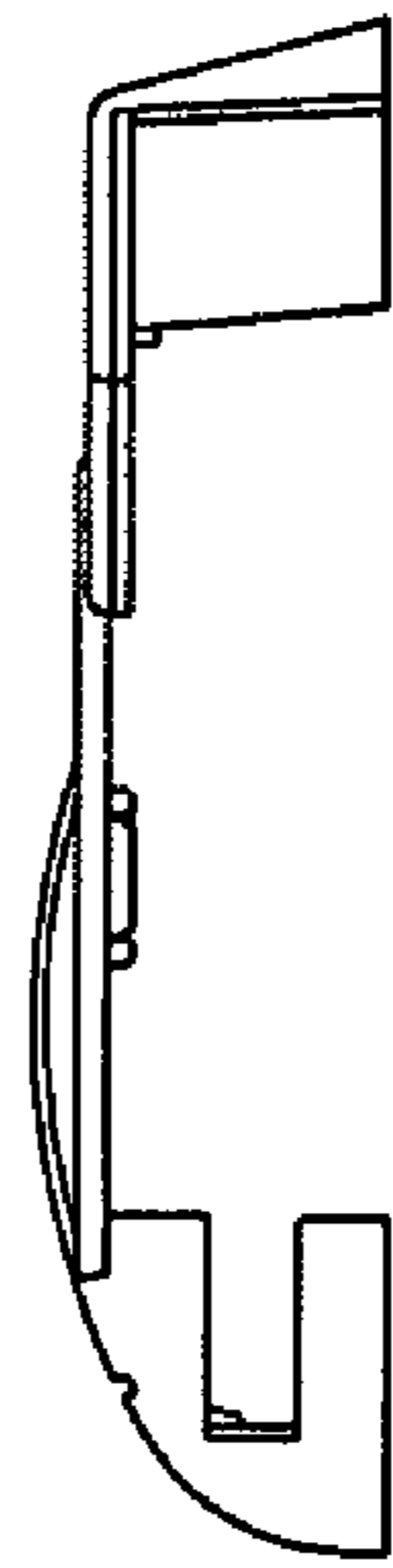


FIGURE 7



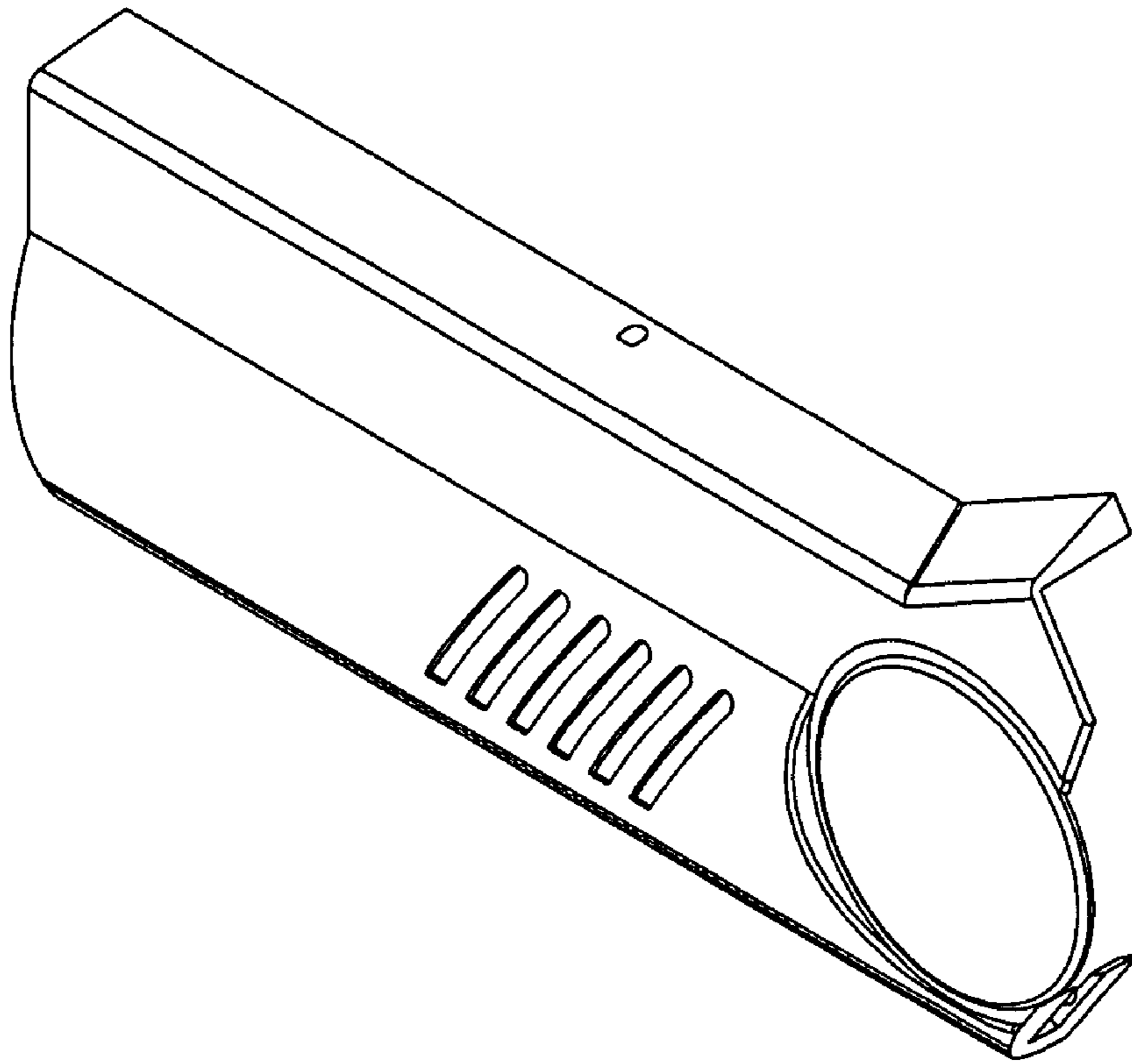


FIGURE 8

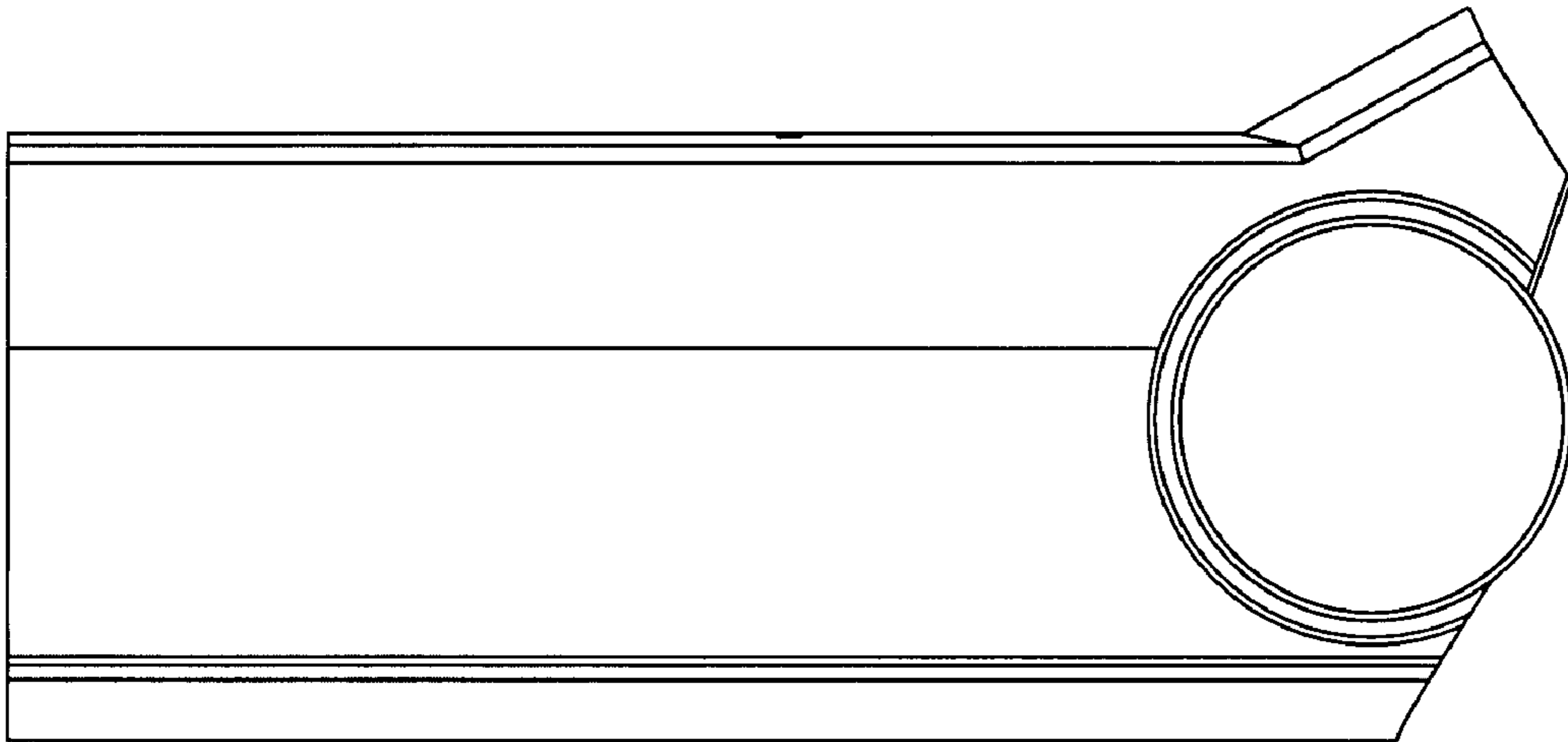


FIGURE 9

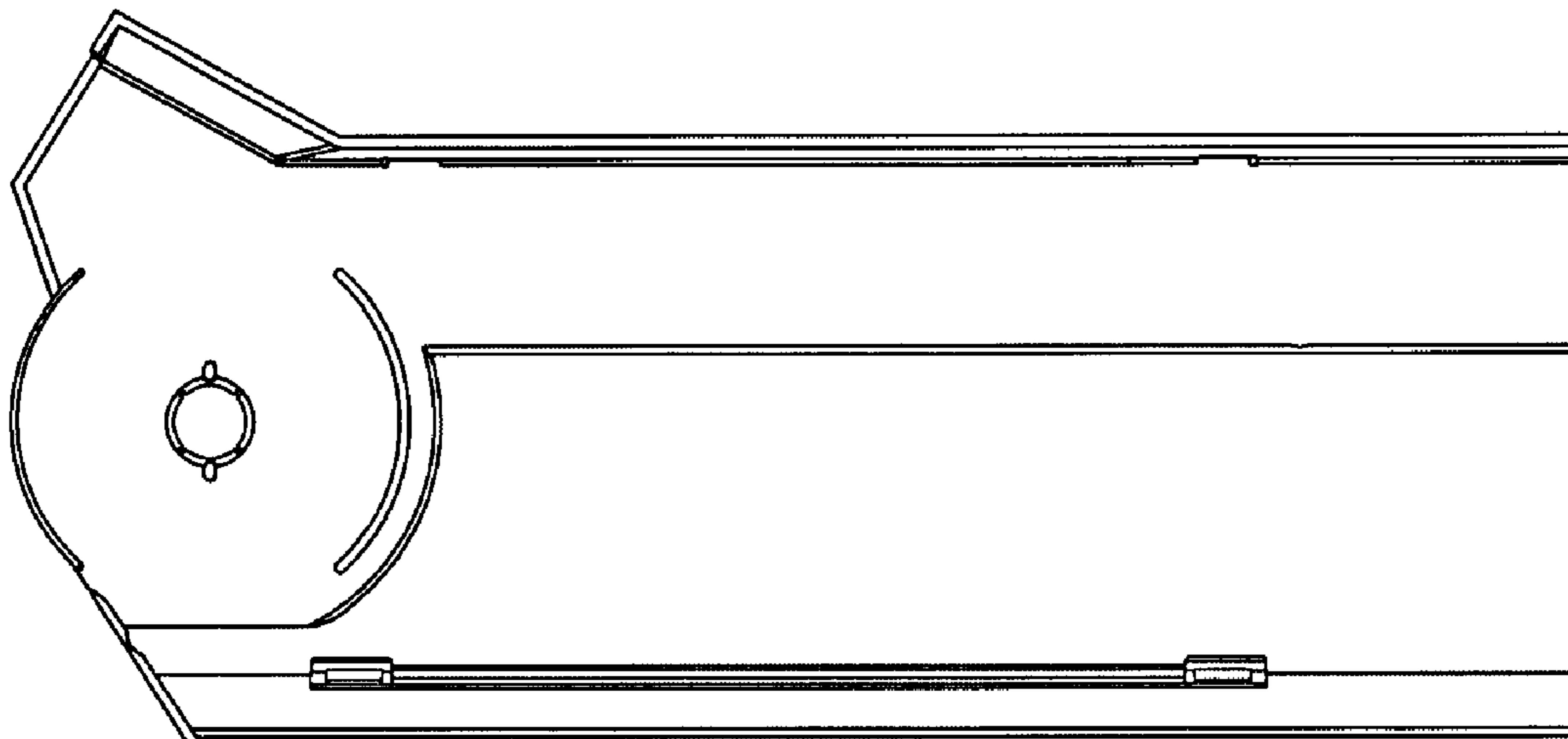


FIGURE 10

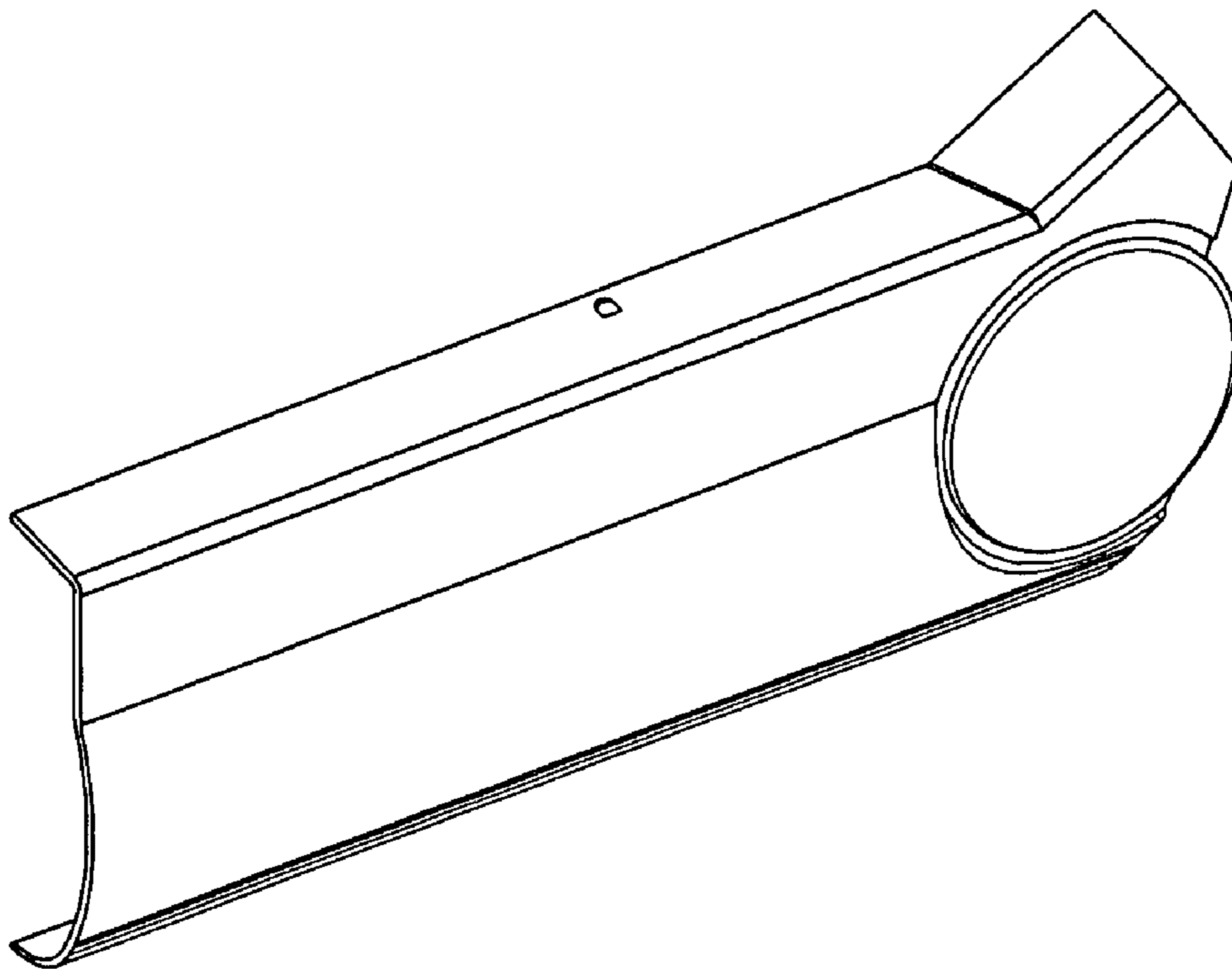


FIGURE 11

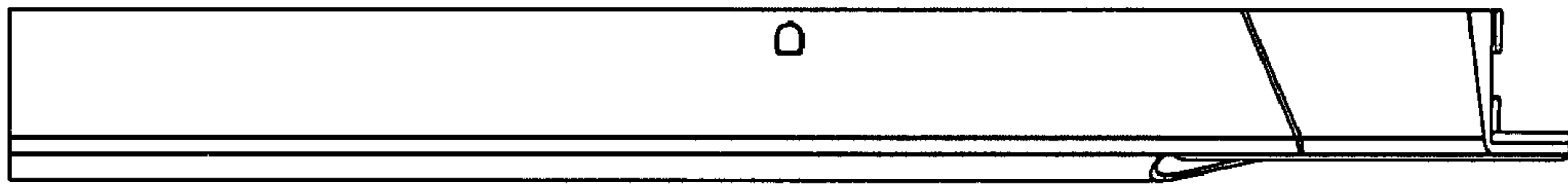


FIGURE 12

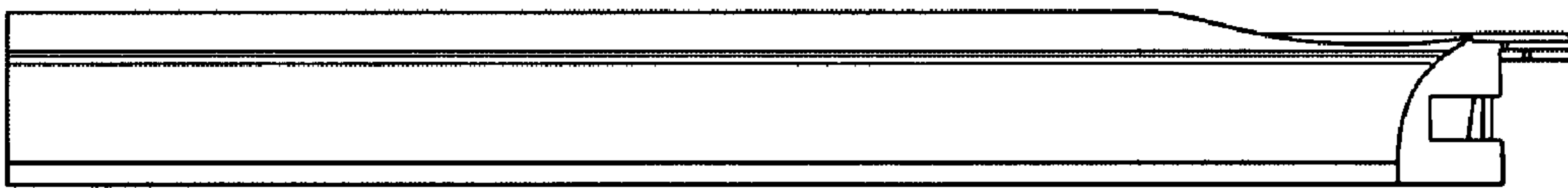


FIGURE 13



FIGURE 14

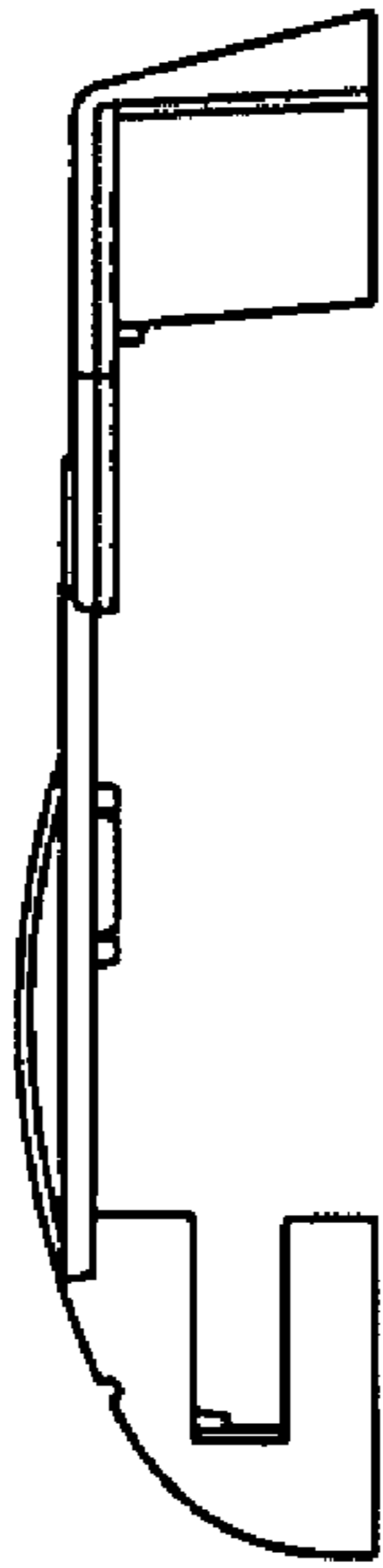


FIGURE 15



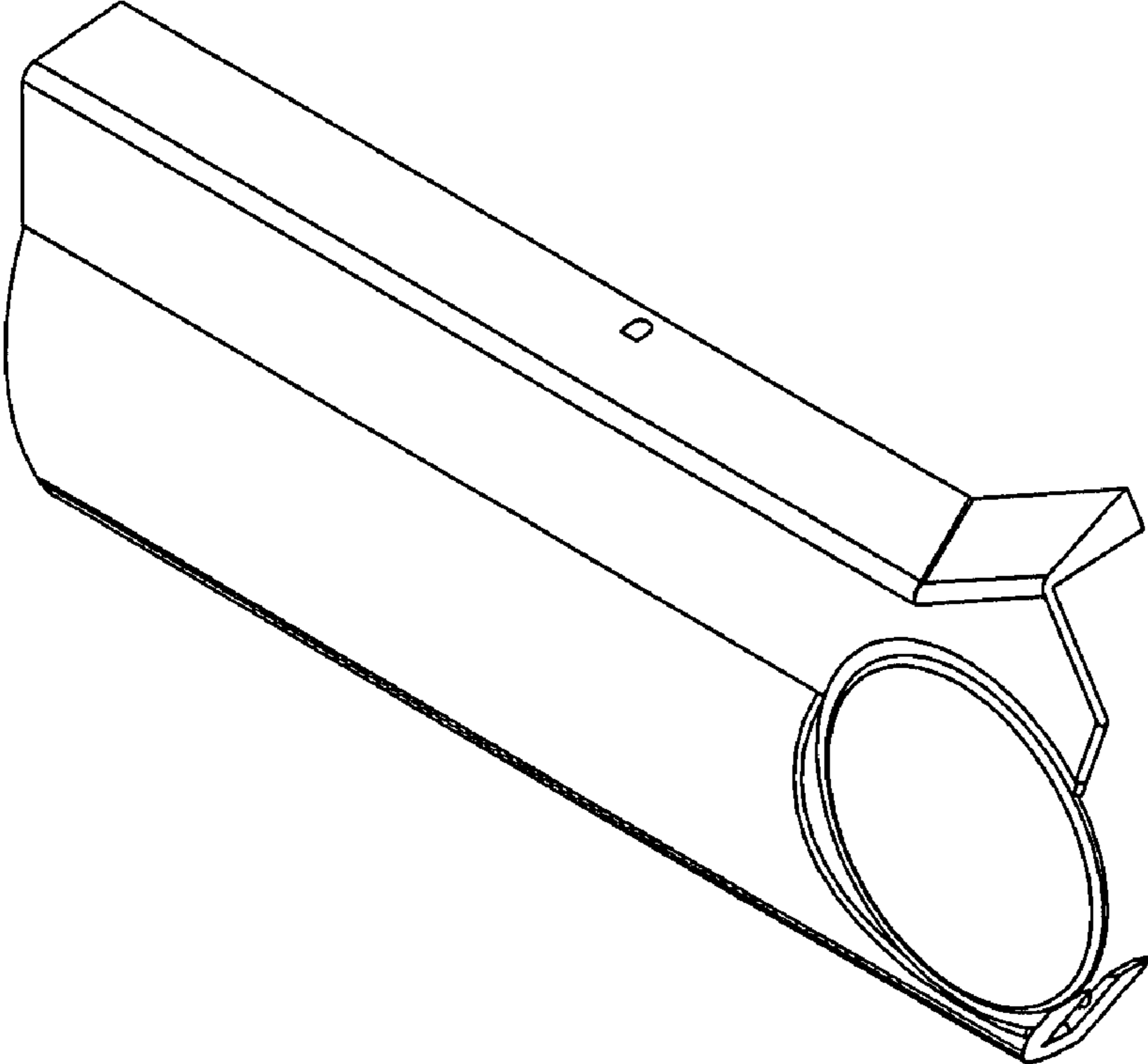


FIGURE 16