

US00D545597S

(12) **United States Design Patent**  
**Aubriot et al.**

(10) **Patent No.:** **US D545,597 S**

(45) **Date of Patent:** **\*\* Jul. 3, 2007**

(54) **TABLE BASE**

(75) Inventors: **Patrick Aubriot**, Fontenay le Fleury (FR); **Allan Switzer**, Vancouver (CA)

(73) Assignee: **William Switzer & Associates Ltd.**, Vancouver, British Columbia (CA)

(\*\*) Term: **14 Years**

(21) Appl. No.: **29/240,761**

(22) Filed: **Oct. 18, 2005**

(51) **LOC (8) Cl.** ..... **06-06**

(52) **U.S. Cl.** ..... **D6/495**

(58) **Field of Classification Search** ..... D6/480-489, D6/495-499, 511, 429-431; 108/150, 153.1, 108/155, 156, 161, 83; 248/188, 188.1, 188.8  
See application file for complete search history.

(56) **References Cited**

**U.S. PATENT DOCUMENTS**

- D423,831 S \* 5/2000 Massie et al. .... D6/495
- D452,783 S \* 1/2002 Hecht et al. .... D6/495
- D458,474 S \* 6/2002 Hecht et al. .... D6/480
- D464,219 S \* 10/2002 Hecht et al. .... D6/495

**OTHER PUBLICATIONS**

Norman Editions p. 320; Publication from Andre Arbus by Yvonne Brunhammer 1996.

\* cited by examiner

*Primary Examiner*—Janice E. Seeger

(74) *Attorney, Agent, or Firm*—Heslin Rothenberg Farley & Mesiti P.C.

(57) **CLAIM**

The ornamental design for a table base, as shown and described.

**DESCRIPTION**

FIG. 1 is a perspective view of a table base comprising the new design;

FIG. 2 is a top view thereof;

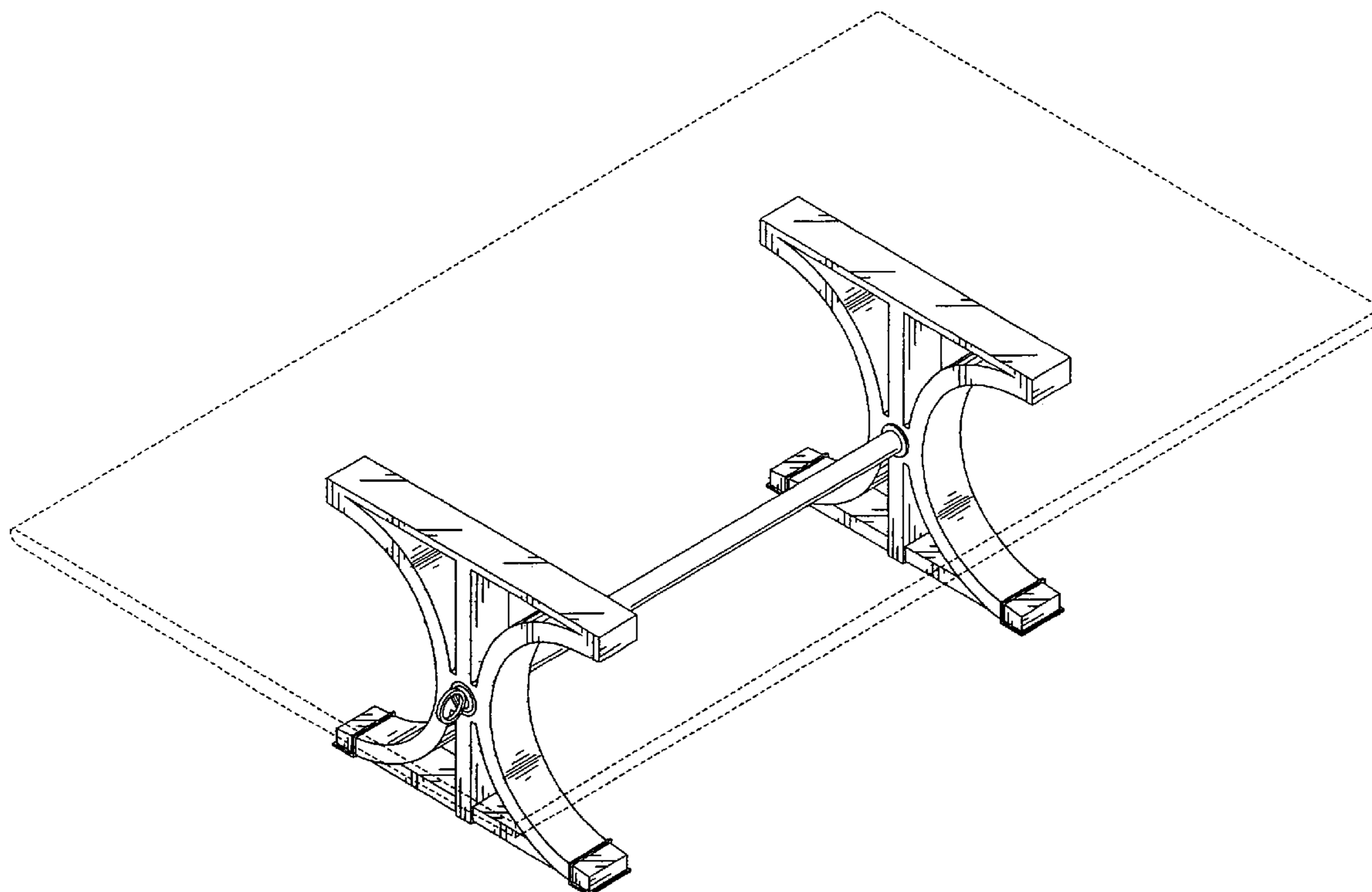
FIG. 3 is a right side view thereof, where the left side view is a mirror image thereof;

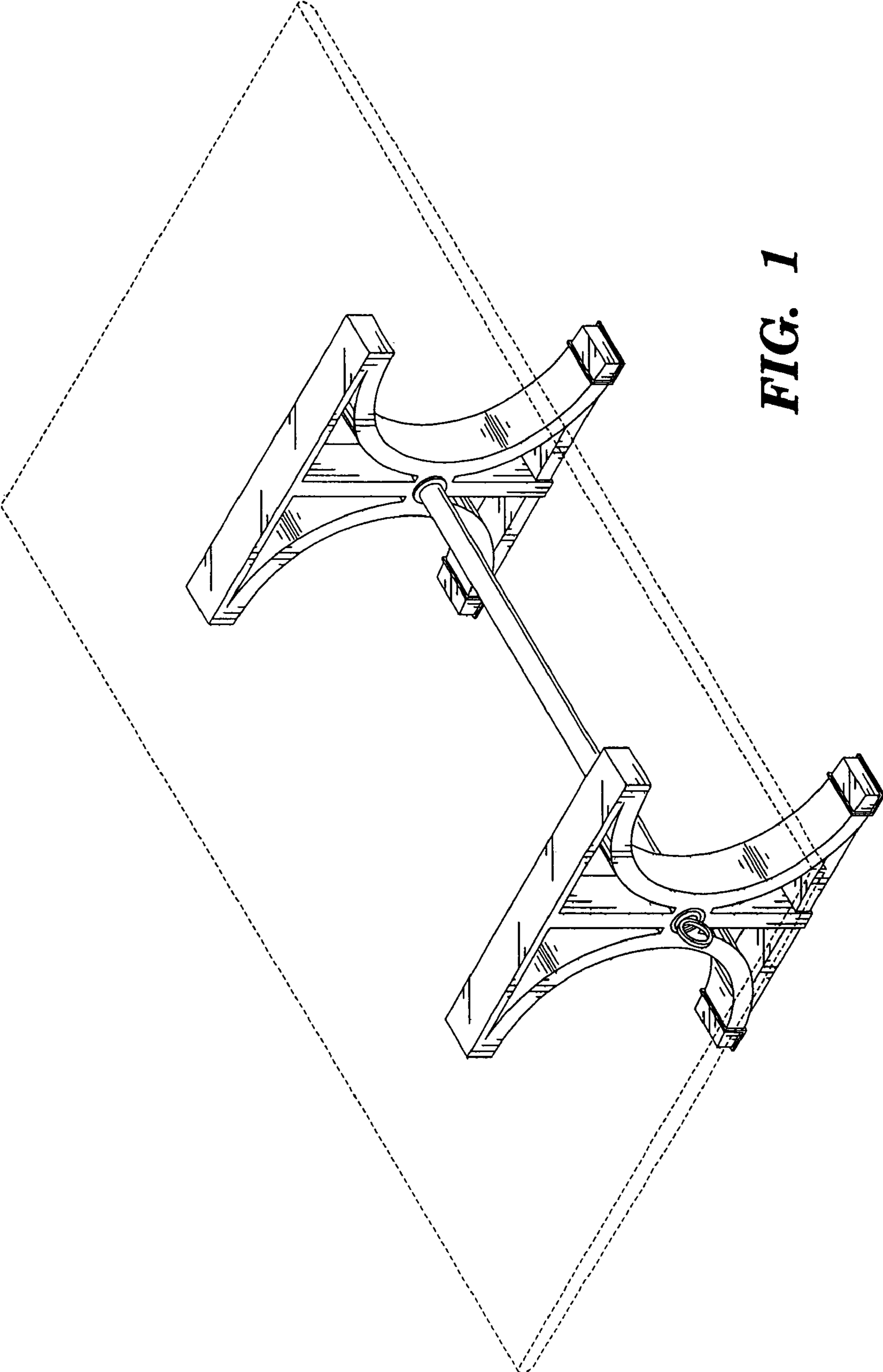
FIG. 4. is a front view thereof, where the back side view is a mirror image thereof; and,

FIG. 5 is a right side view of an alternative embodiment of said new design, portions of which are cut away to illustrate indeterminate length, which is the sole difference between it and FIGS. 1-4.

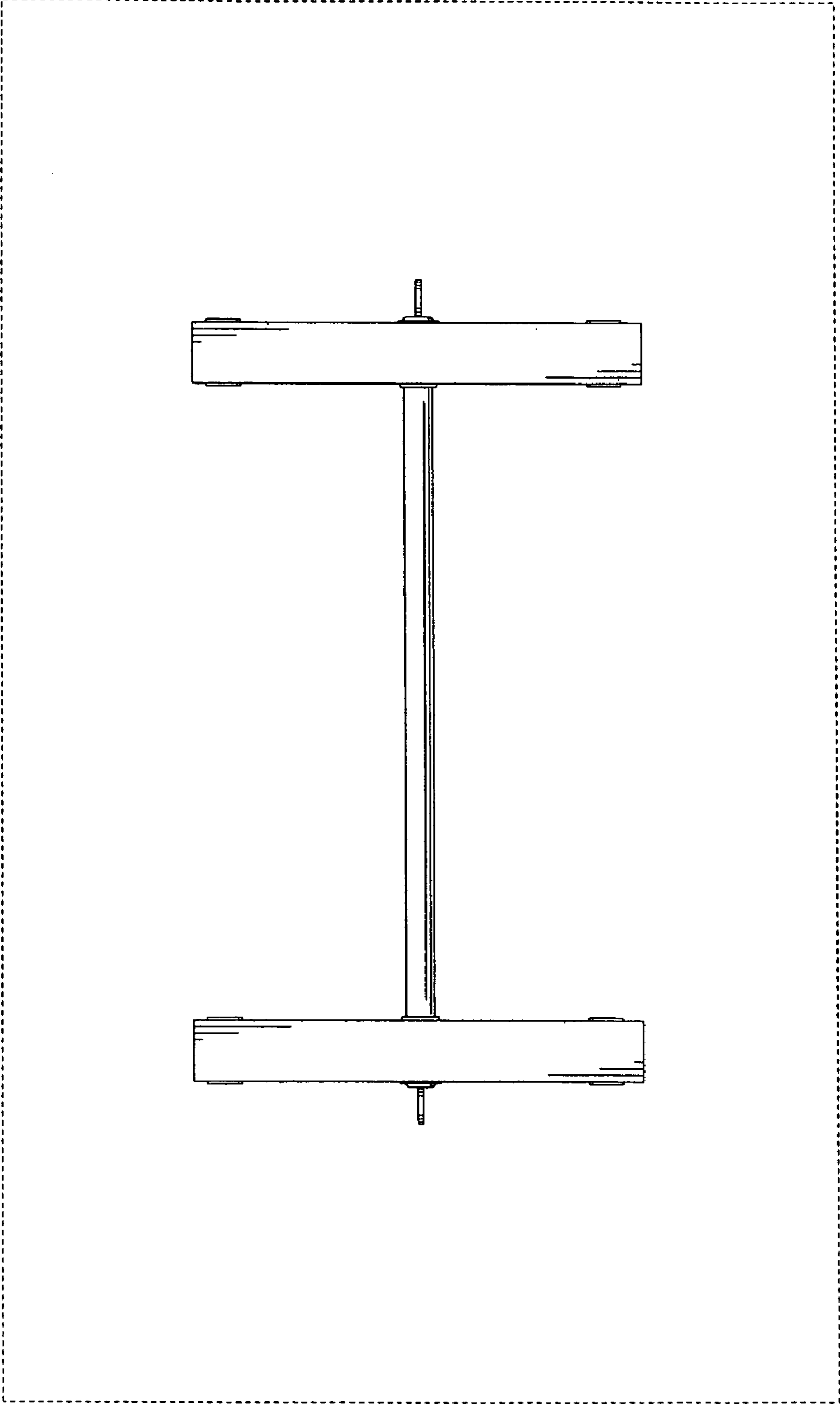
The broken lines in the figures are for illustrative purposes only and form no part of the claimed invention.

**1 Claim, 5 Drawing Sheets**

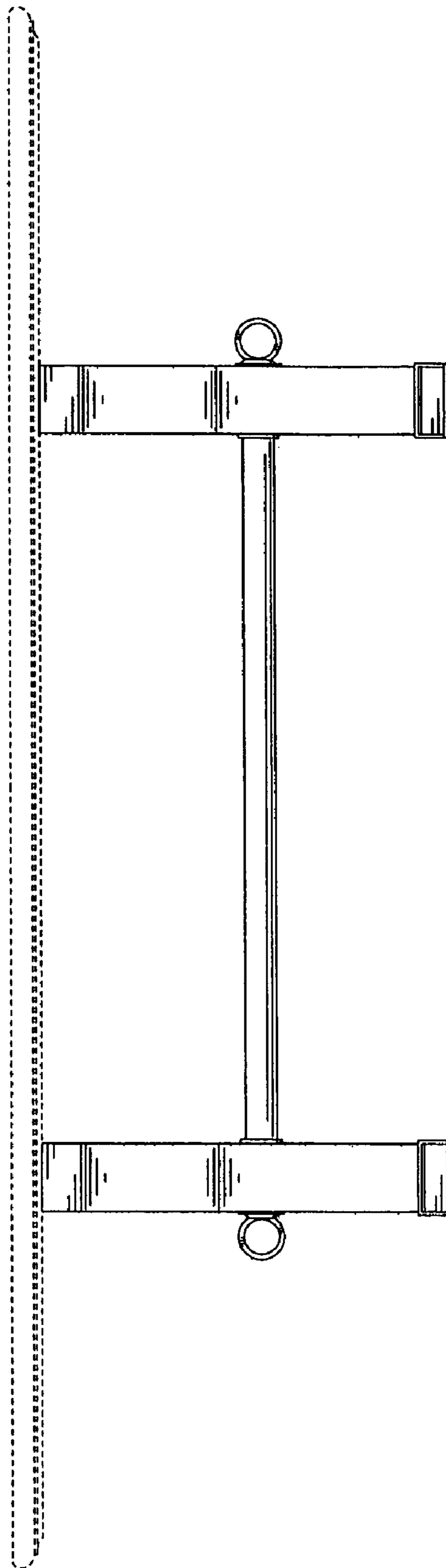




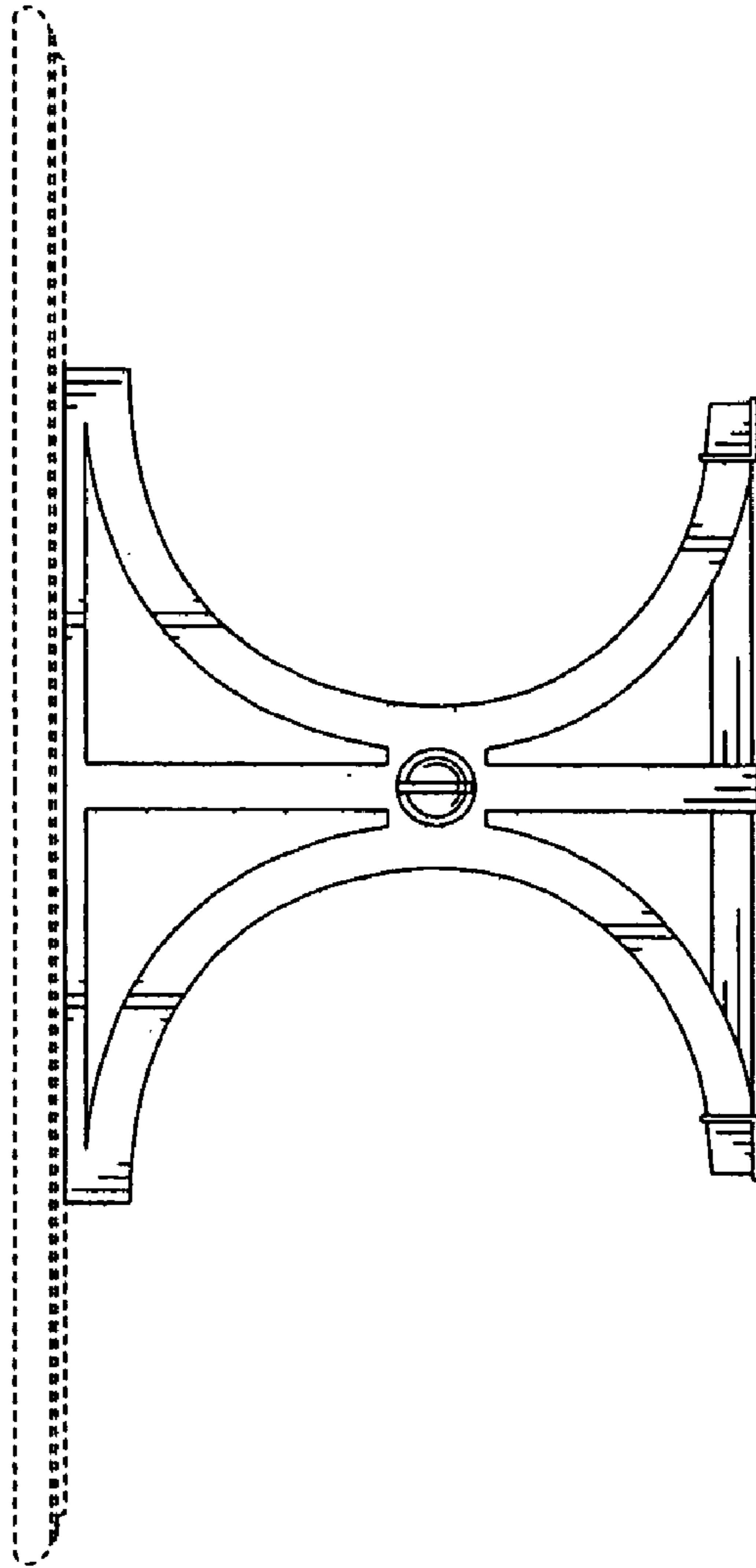
**FIG. 1**



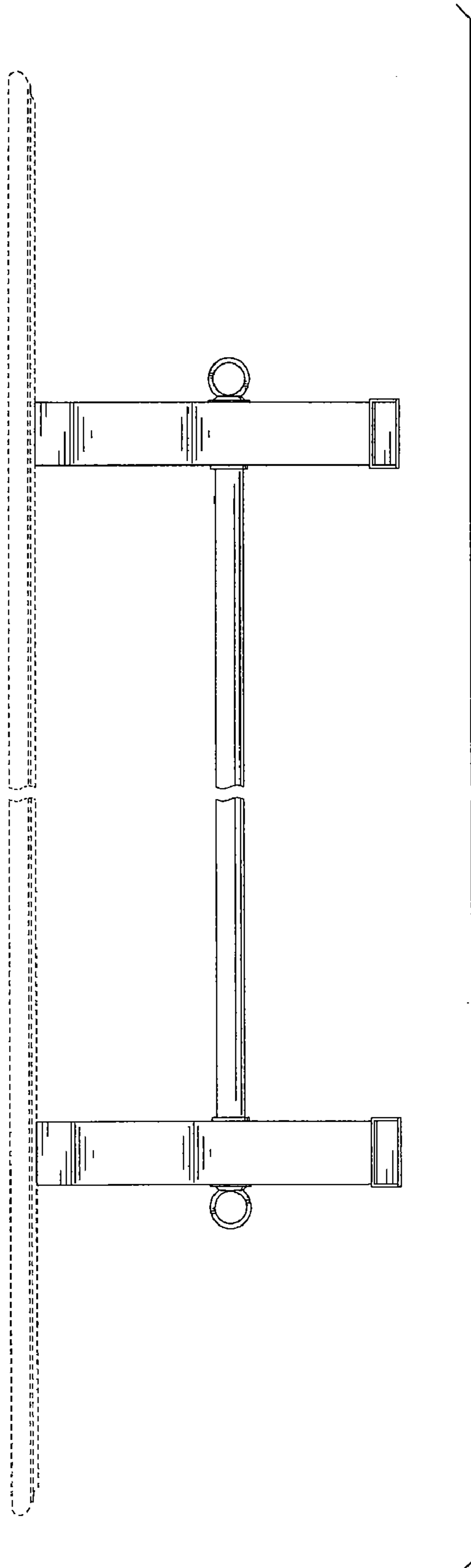
**FIG. 2**



**FIG. 3**



**FIG. 4**



**FIG. 5**