



US00D545596S

(12) **United States Design Patent** (10) **Patent No.:** **US D545,596 S**  
**Lin** (45) **Date of Patent:** **\*\* Jul. 3, 2007**

(54) **CHAIR BASE**

OTHER PUBLICATIONS

(76) Inventor: **Chang Chen Lin**, No. 12, Lane 521,  
Sec. 1, Nan Hsiung Road, Tainan  
County (TW)

www.home-furnishings-accessories.webhomedecor.com, Jan. 19,  
2007.\*

\* cited by examiner

(\*\*) Term: **14 Years**

*Primary Examiner*—Robert M. Spear

*Assistant Examiner*—Katrina A. Kile

(21) Appl. No.: **29/228,589**

(74) *Attorney, Agent, or Firm*—Charles E. Baxley

(22) Filed: **Apr. 26, 2005**

(57) **CLAIM**

(51) **LOC (8) Cl.** ..... **06-01**

The ornamental design for a chair base, as shown and  
described.

(52) **U.S. Cl.** ..... **D6/495**

(58) **Field of Classification Search** ..... D6/495,  
D6/334, 349, 364–367, 499, 500–502; 248/188,  
248/188.1, 346.01; 297/4, 423.1, 423.39,  
297/423.41, 461–462

See application file for complete search history.

**DESCRIPTION**

(56) **References Cited**

FIG. 1 is a perspective view of a chair base showing my new  
design;

U.S. PATENT DOCUMENTS

FIG. 2 is a front elevation view thereof;

D364,283 S \* 11/1995 Zaidman ..... D6/365

FIG. 3 is a rear elevation view thereof;

D406,971 S \* 3/1999 McDiarmid ..... D6/495

FIG. 4 is a left side elevation view thereof;

D419,005 S \* 1/2000 McDiarmid ..... D6/495

FIG. 5 is a right side elevation view thereof;

D447,365 S \* 9/2001 Chi ..... D6/495

FIG. 6 is a top plan view thereof; and,

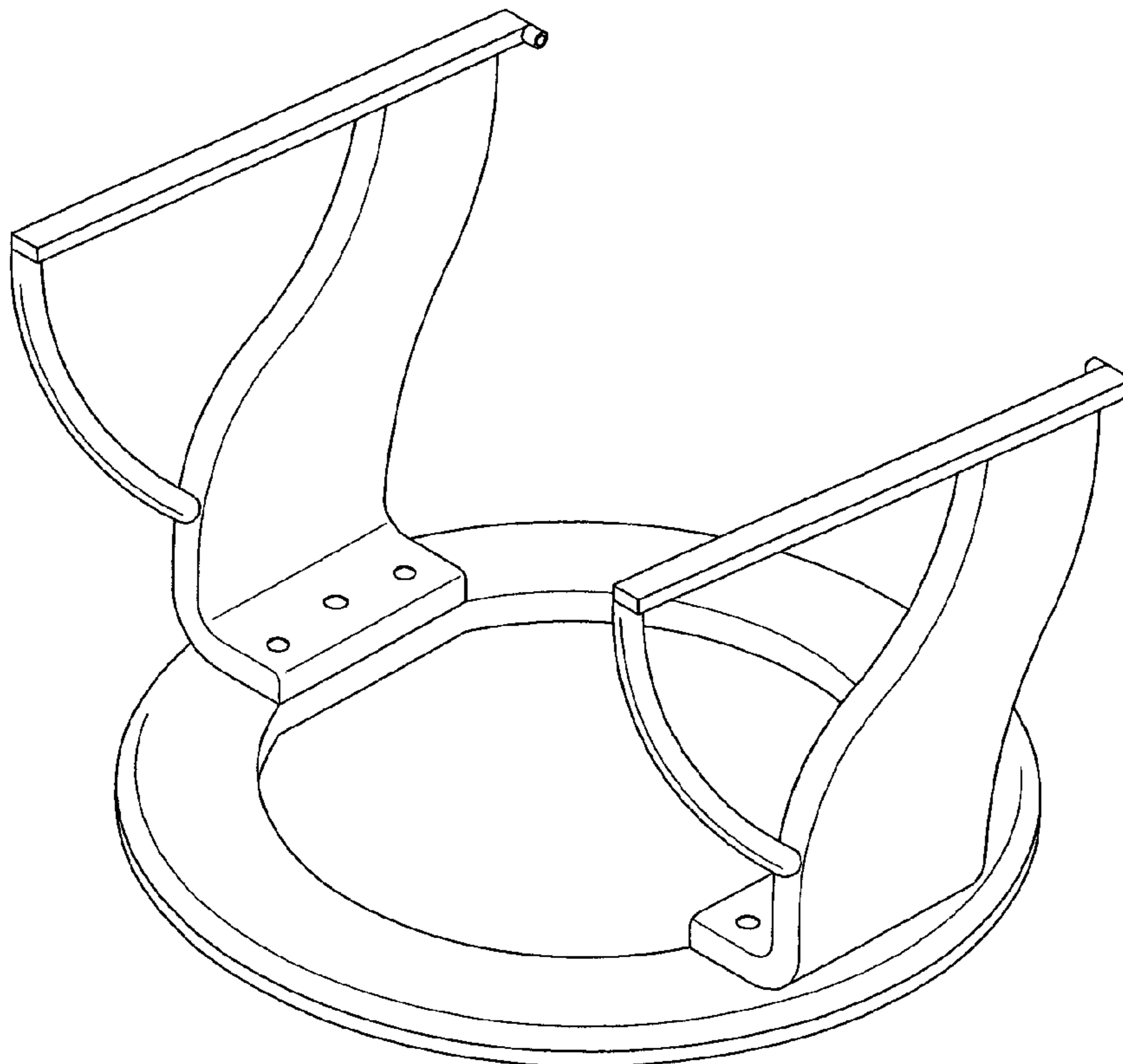
D459,917 S \* 7/2002 Hankins et al. .... D6/495

FIG. 7 is a bottom plan view thereof.

FOREIGN PATENT DOCUMENTS

GB D2087458 \* 7/2000

**1 Claim, 7 Drawing Sheets**



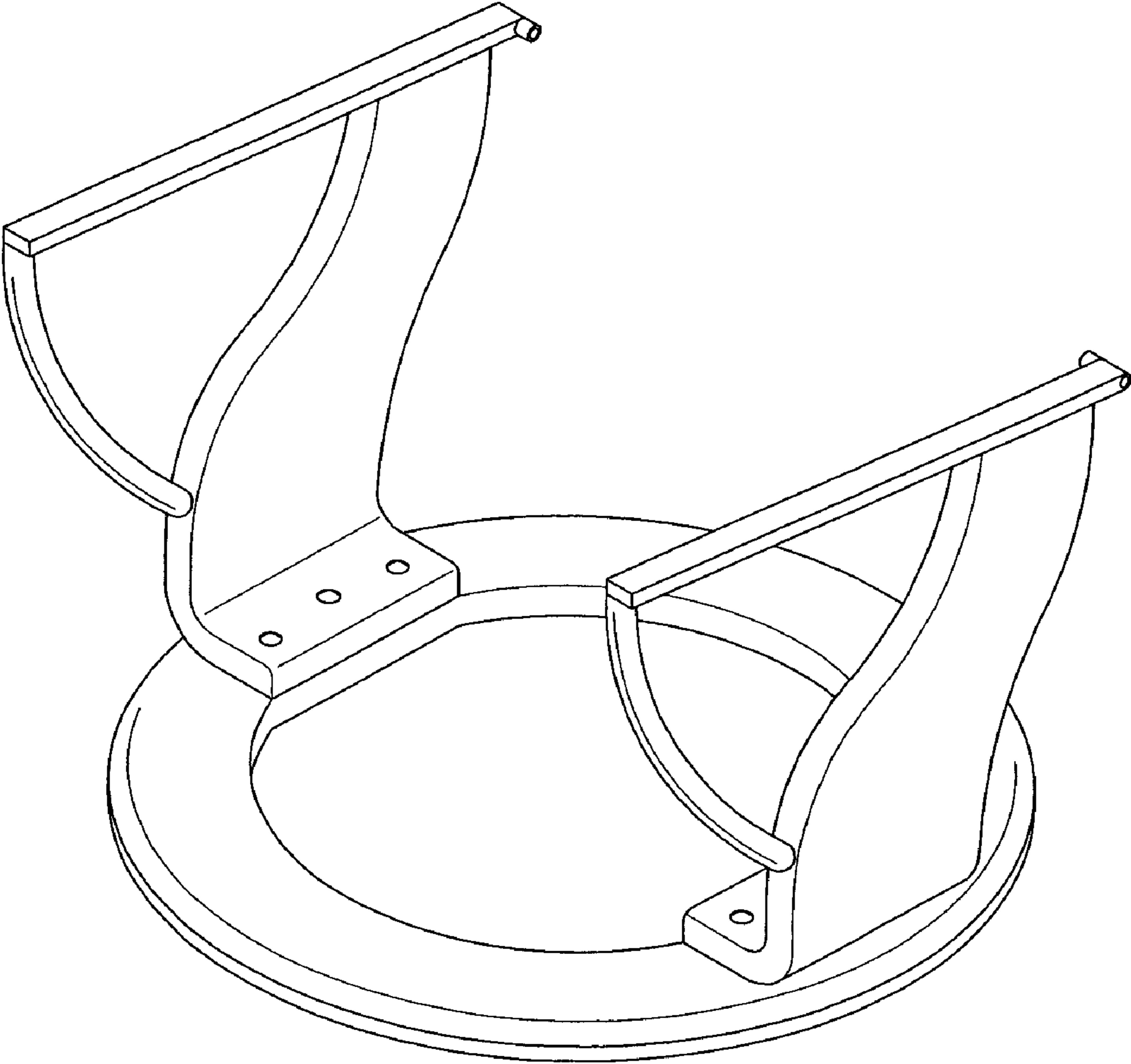


FIG. 1

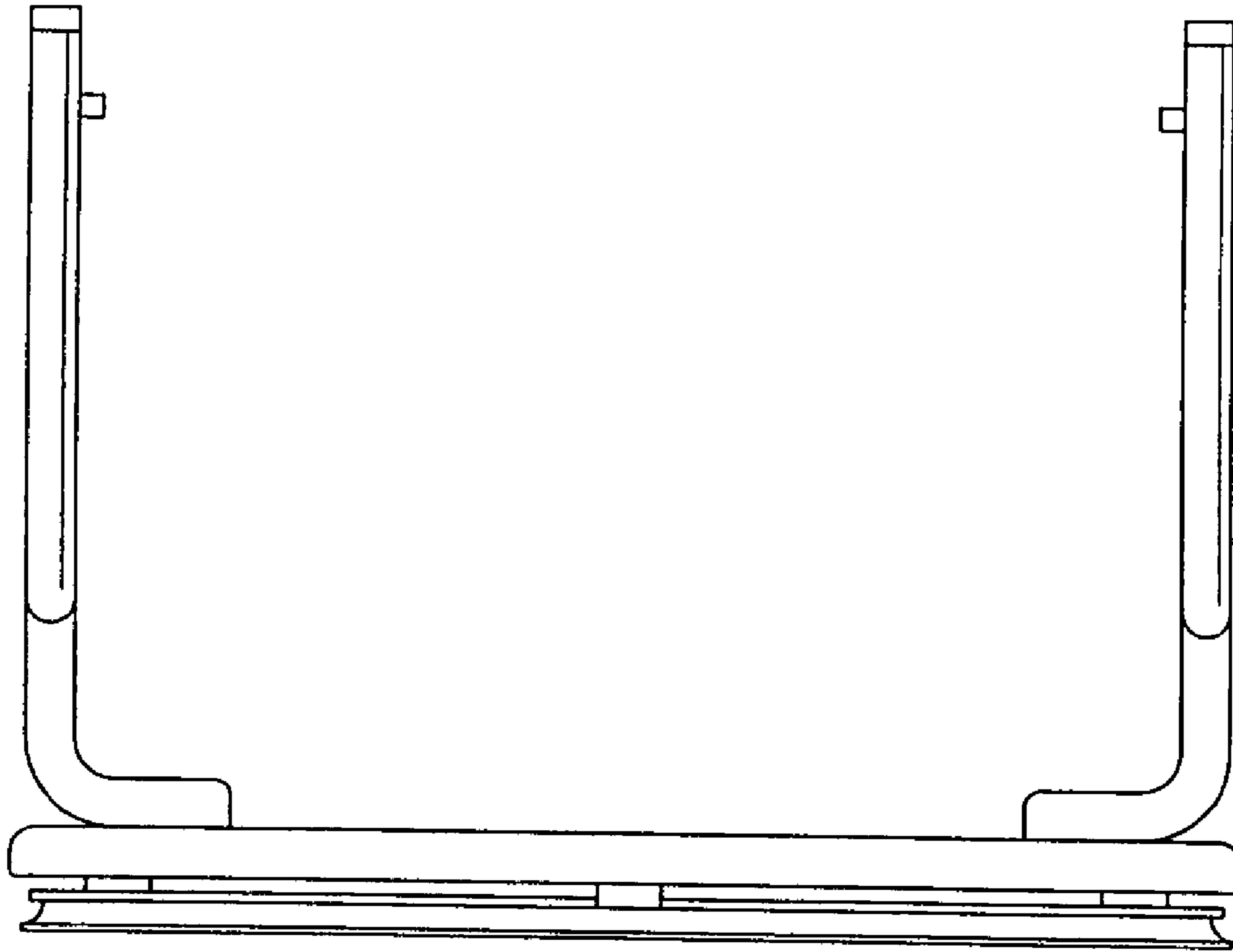


FIG. 2

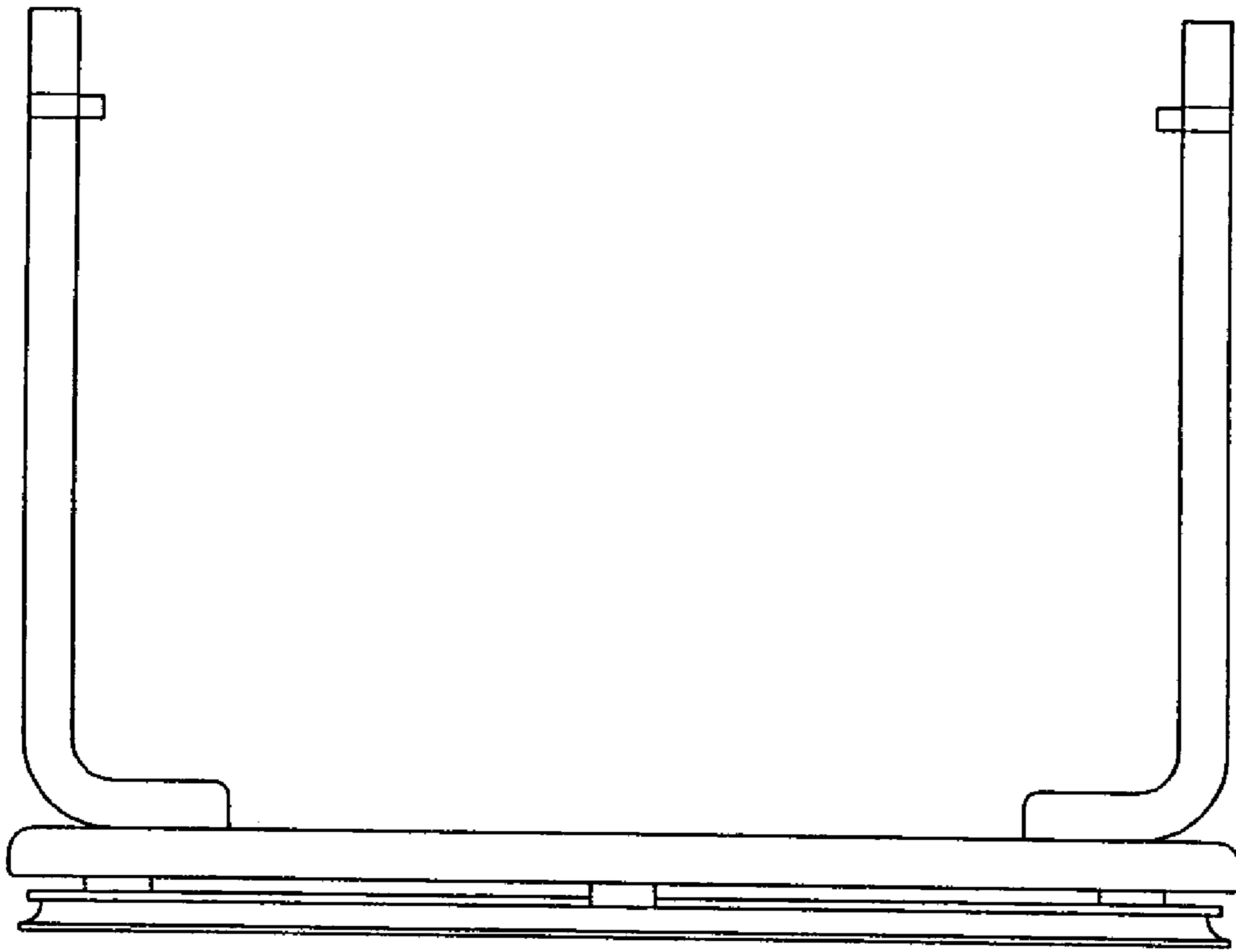


FIG. 3

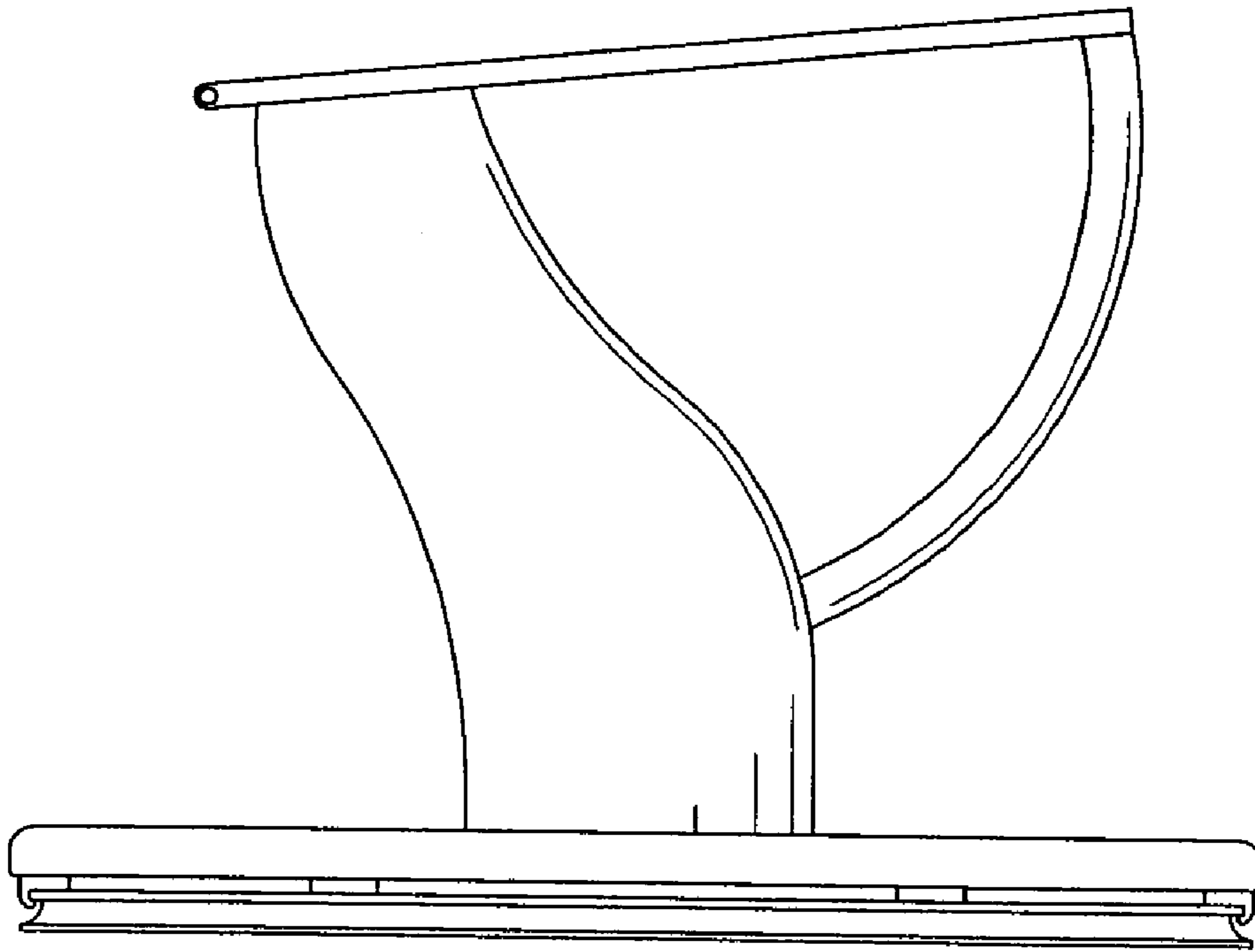


FIG. 4

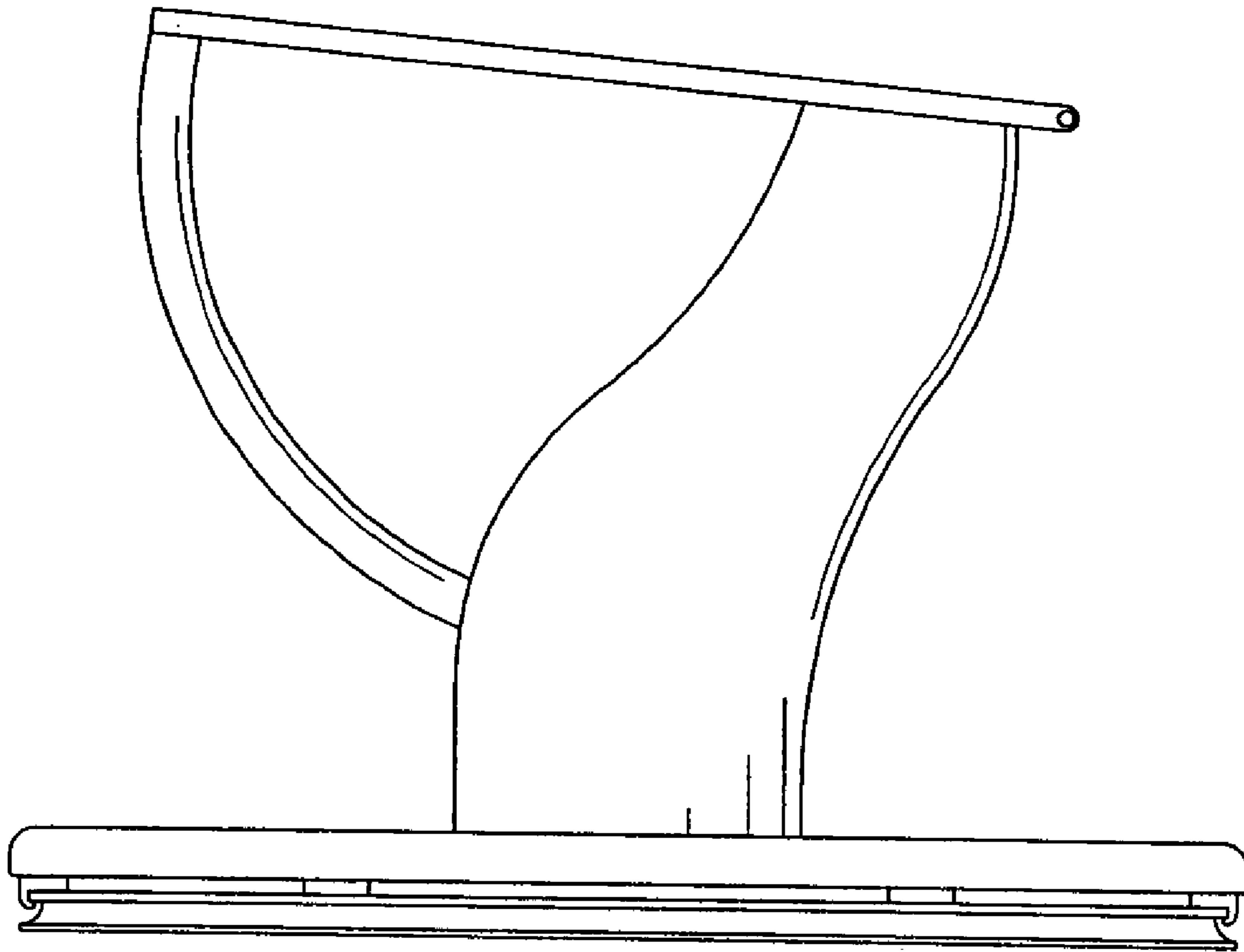


FIG. 5

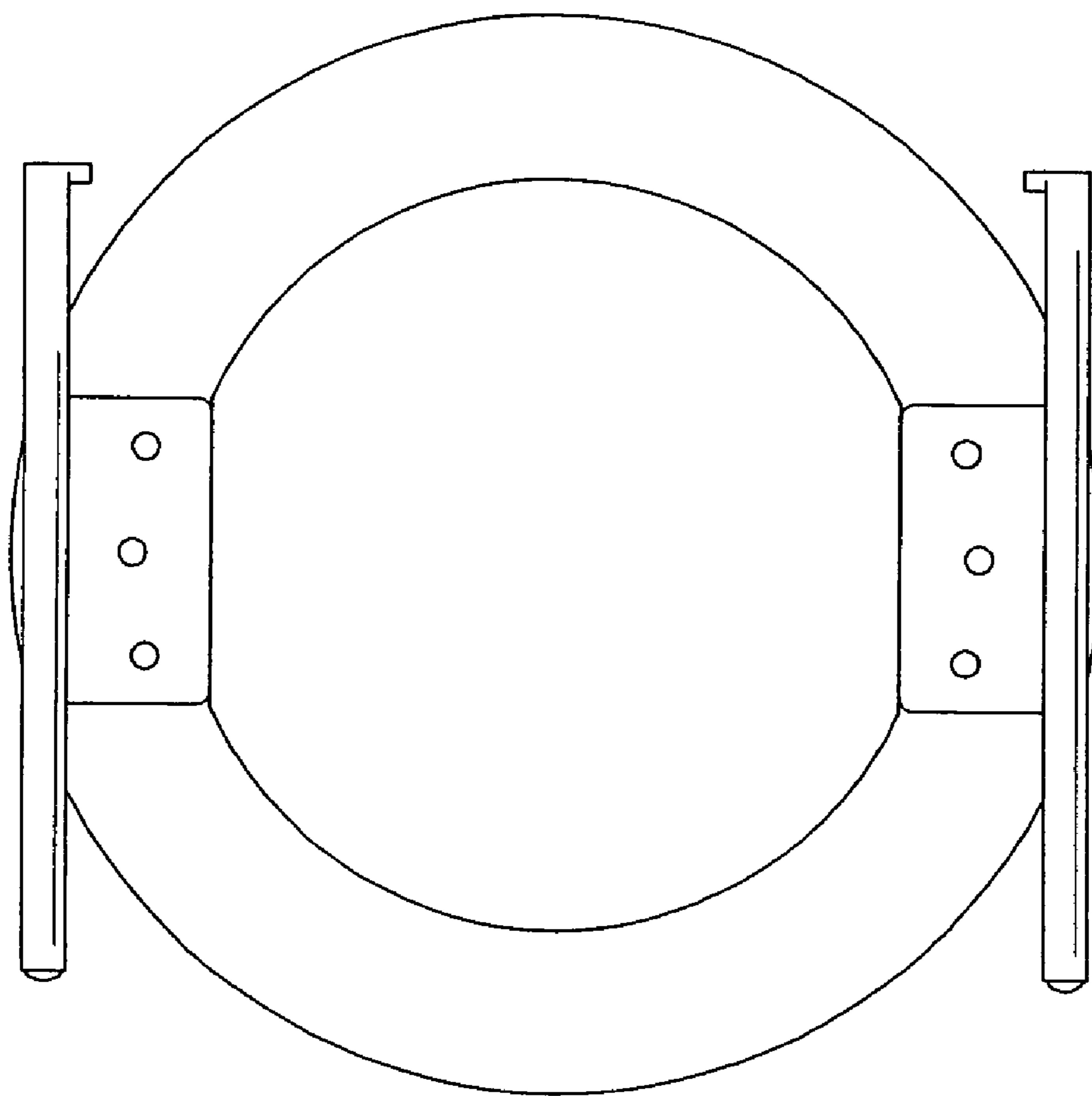


FIG. 6

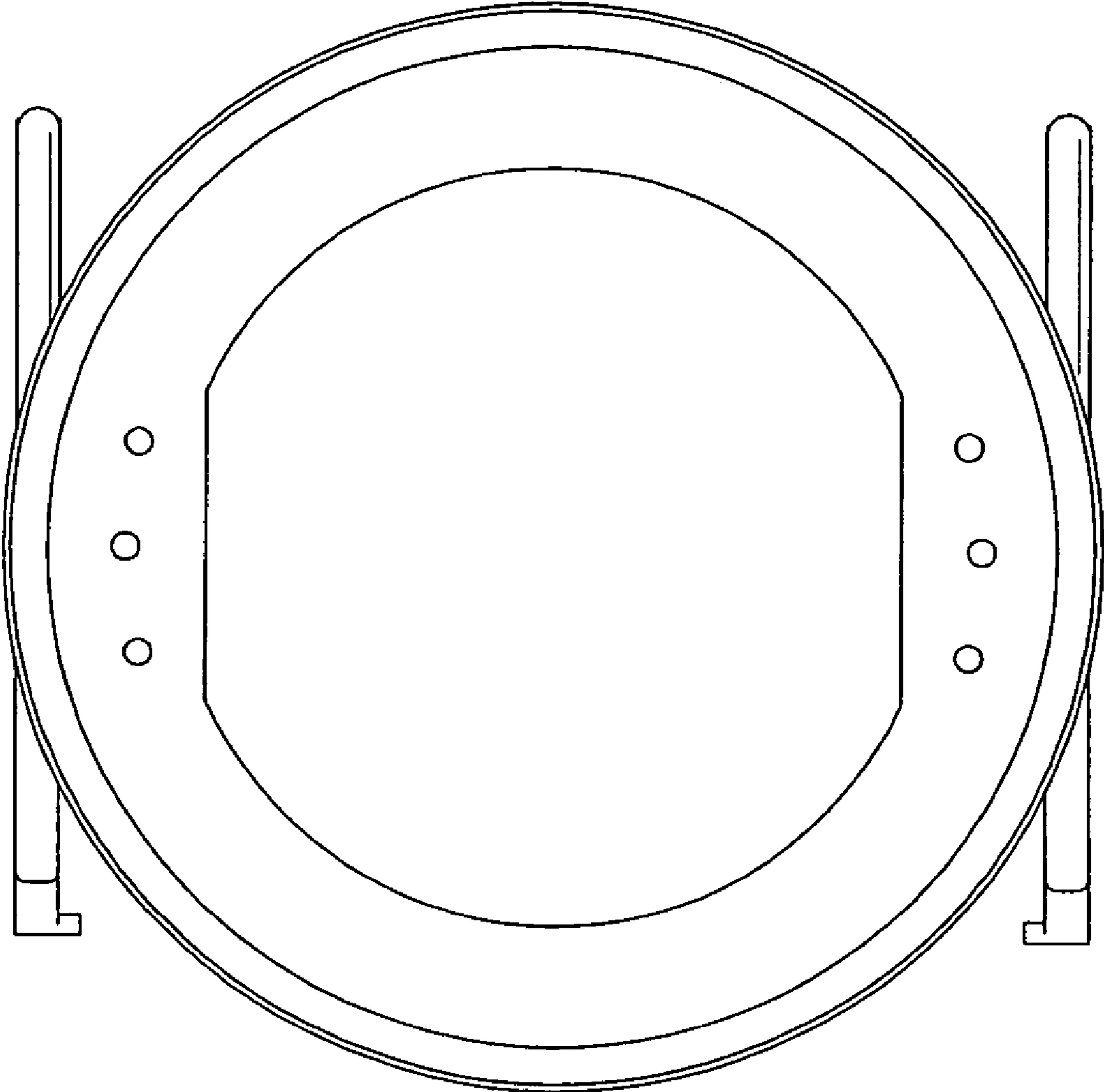


FIG. 7