

US00D545595S

(12) **United States Design Patent**
Roleder et al.

(10) **Patent No.:** **US D545,595 S**

(45) **Date of Patent:** **** Jul. 3, 2007**

(54) **ENDPLATE**

(75) Inventors: **Jon Roleder**, San Diego, CA (US);
Richard Estrada, Oceanside, CA (US);
Daigo Yachi, San Diego, CA (US)

(73) Assignee: **Earthlite Massage Tables, Inc.**, Vista,
CA (US)

(**) Term: **14 Years**

(21) Appl. No.: **29/231,758**

(22) Filed: **Jun. 8, 2005**

(51) **LOC (8) Cl.** **06-06**

(52) **U.S. Cl.** **D6/492; D24/184; D6/491**

(58) **Field of Classification Search** D6/480-489,
D6/495-499, 382, 392, 491-494, 376; 108/153.1,
108/155, 156, 161; 248/188, 188.1; D24/183,
D24/184; D25/152-154; 5/621, 622, 279.1,
5/907

See application file for complete search history.

(56) **References Cited**

U.S. PATENT DOCUMENTS

D352,840 S * 11/1994 Alchin D6/376
D373,031 S * 8/1996 Martin D6/376
D491,738 S * 6/2004 Vanderminden D6/376
D502,612 S * 3/2005 Tseng D6/376

OTHER PUBLICATIONS

<http://www.oakworks.net/portables/advanta.html>. These webpages
include pictures of prior art massage tables sold by Oakworks.
http://www.customcraftworks.com/port_tables1.html. These
webpages include pictures of prior art massage tables sold Custom
Craftworks.

<http://www.goldenratio.com/GRW/Portable/MasterBodyworker.html>. These webpages include pictures of prior art massage tables sold by Golden Ratio.

Earthlite Massage Tables, Inc. product brochure. This brochure includes pictures of prior art massage tables sold by Earthlite Massage Tables, Inc.

<http://www.ovaltable.com/massageTables.htm>. These webpages include pictures of a prior art massage table end plate design sold by Creative Touch.

* cited by examiner

Primary Examiner—Janice E. Seeger

(74) *Attorney, Agent, or Firm*—Steven G. Roeder; James P. Broder

(57) **CLAIM**

The ornamental design for an endplate, as shown and described.

DESCRIPTION

FIG. 1 is a perspective view of an endplate, showing our new design;

FIG. 2 is a front perspective view of the endplate;

FIG. 3 is a front view of the endplate;

FIG. 4 is a rear view of the endplate;

FIG. 5 is a top view of the endplate;

FIG. 6 is a bottom view of the endplate; and,

FIG. 7 is a side view of the endplate, the bottom view is a mirror image thereof.

The broken lines showing the massage table are for environmental purposes only and form no part of the claimed design.

1 Claim, 3 Drawing Sheets

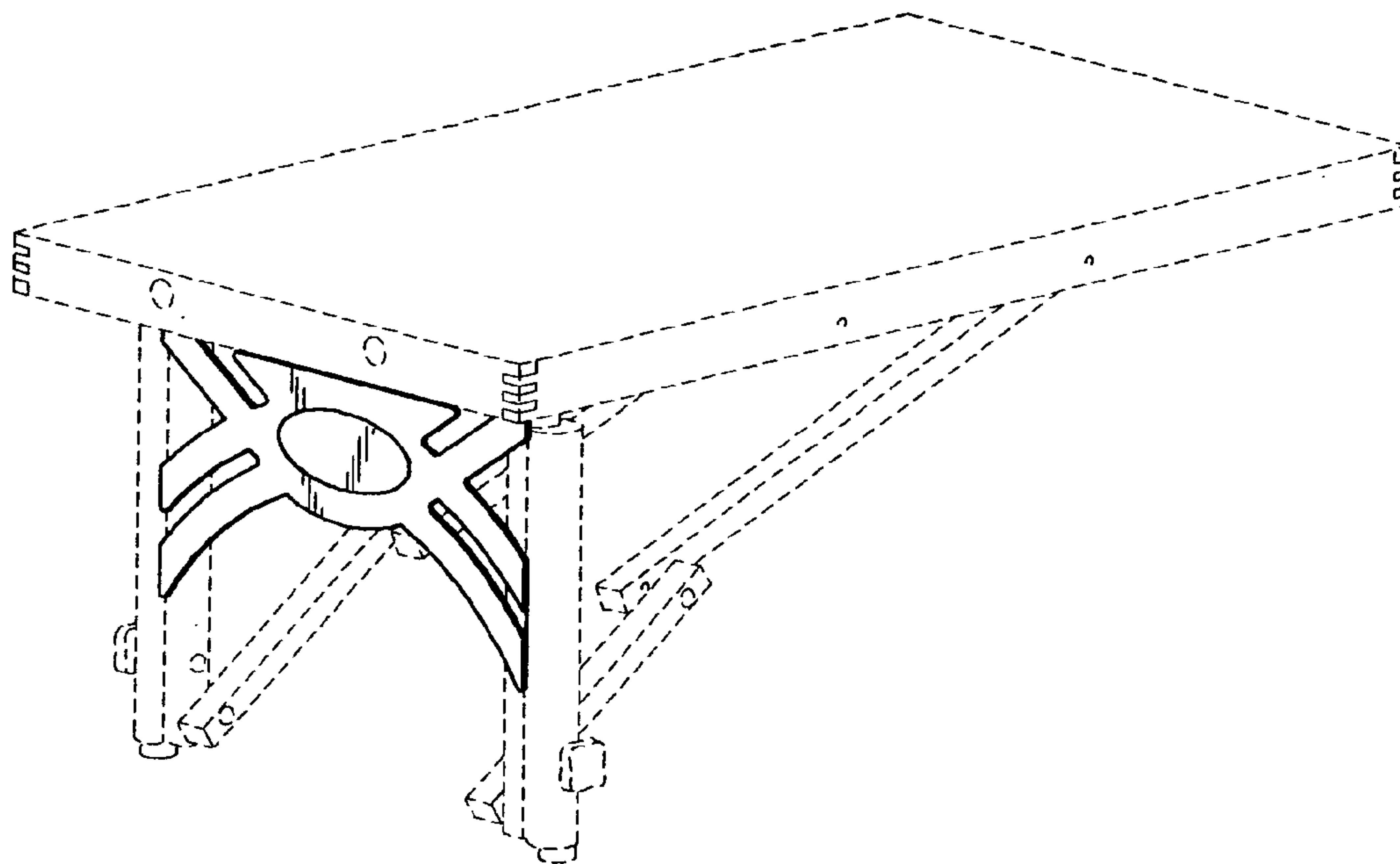


FIG. 1

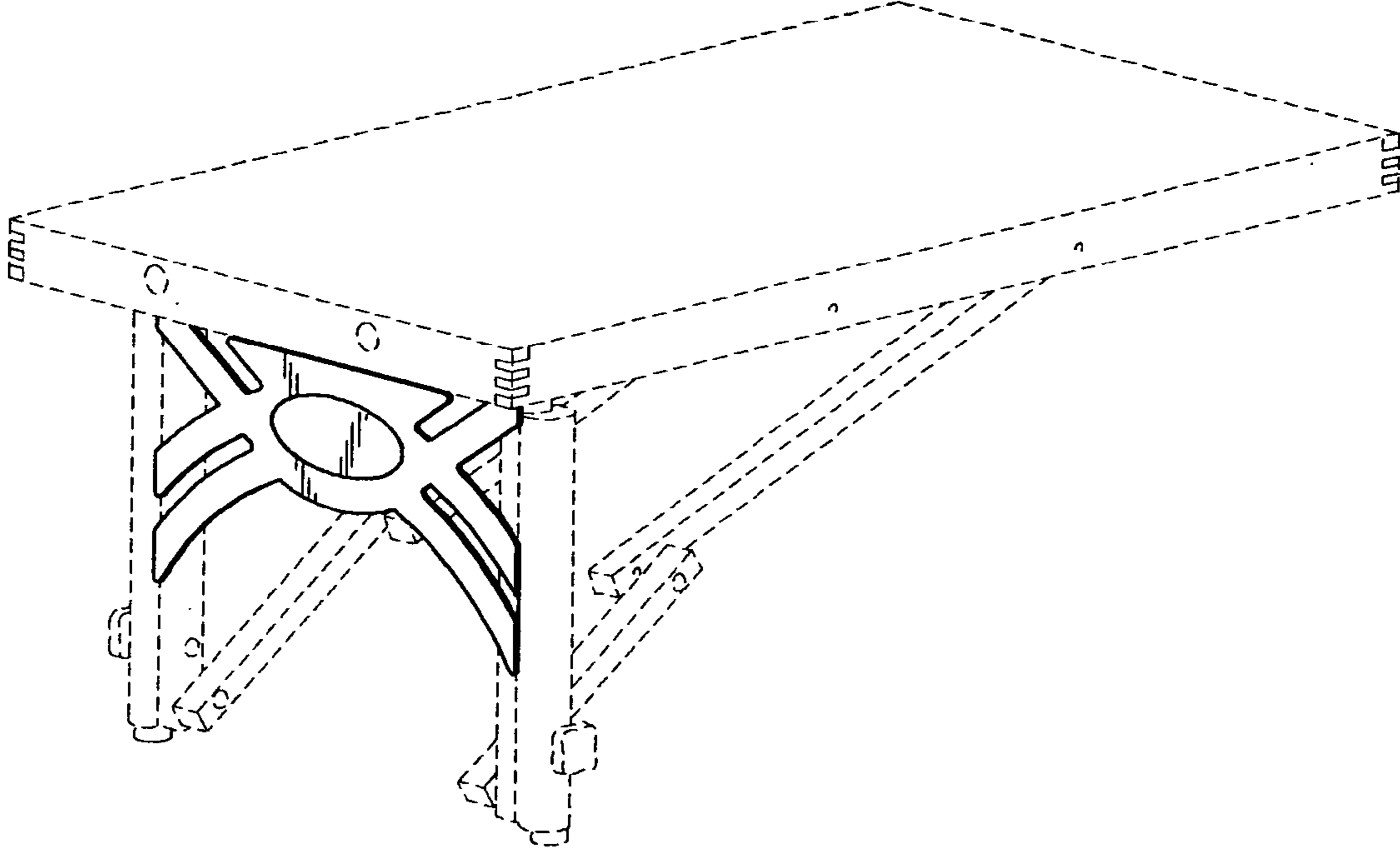


FIG. 2

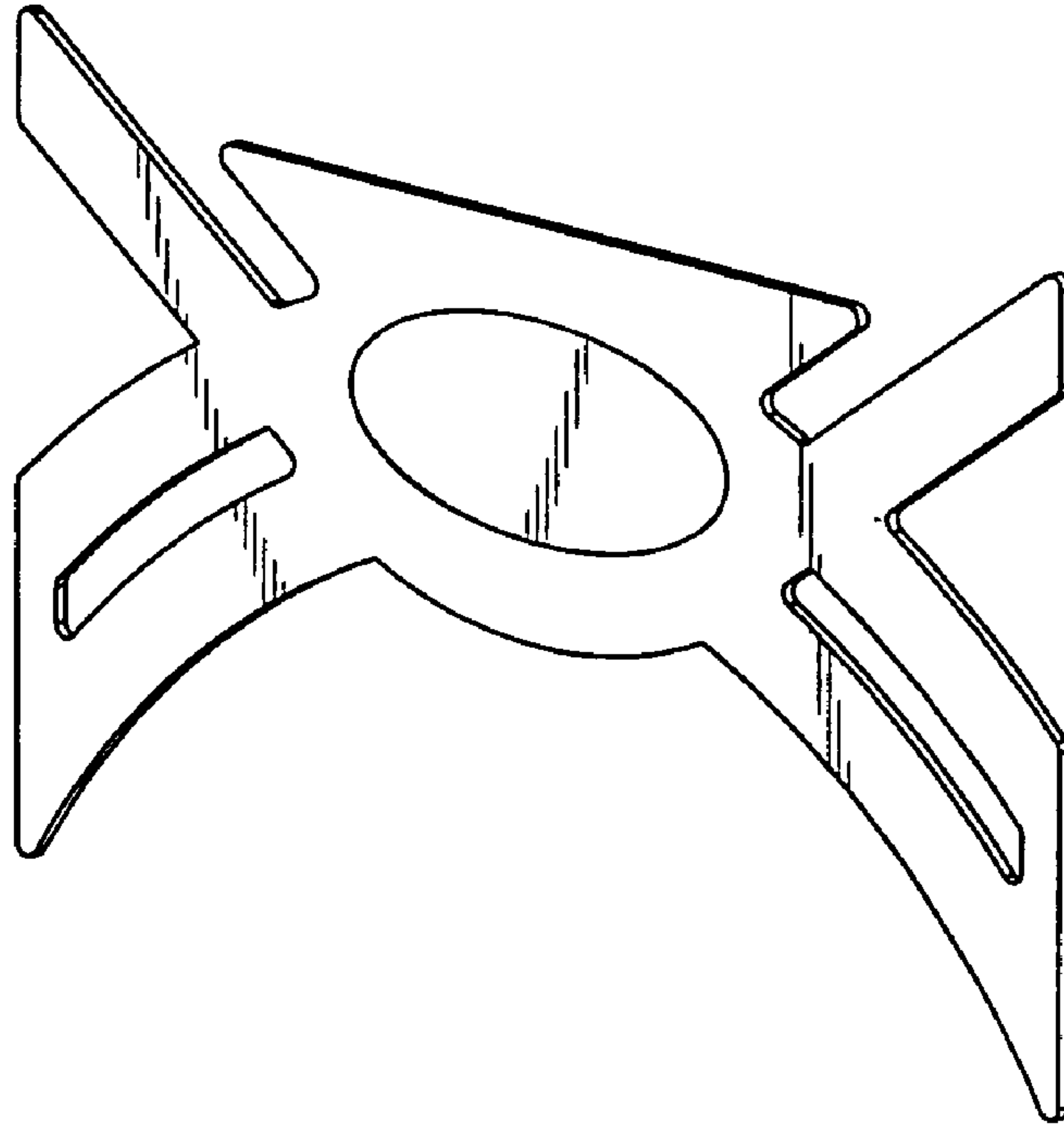


FIG. 3

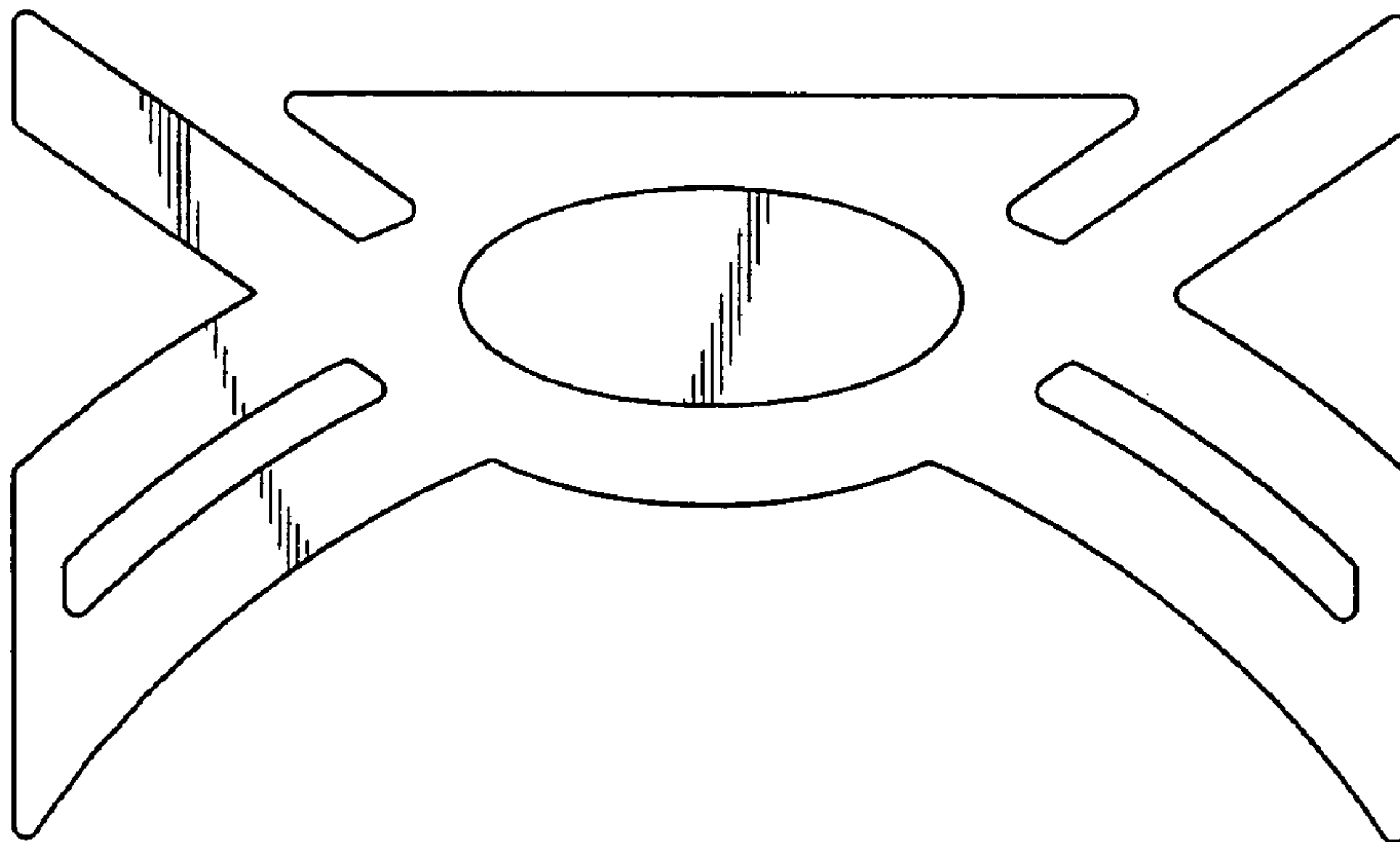


FIG. 4

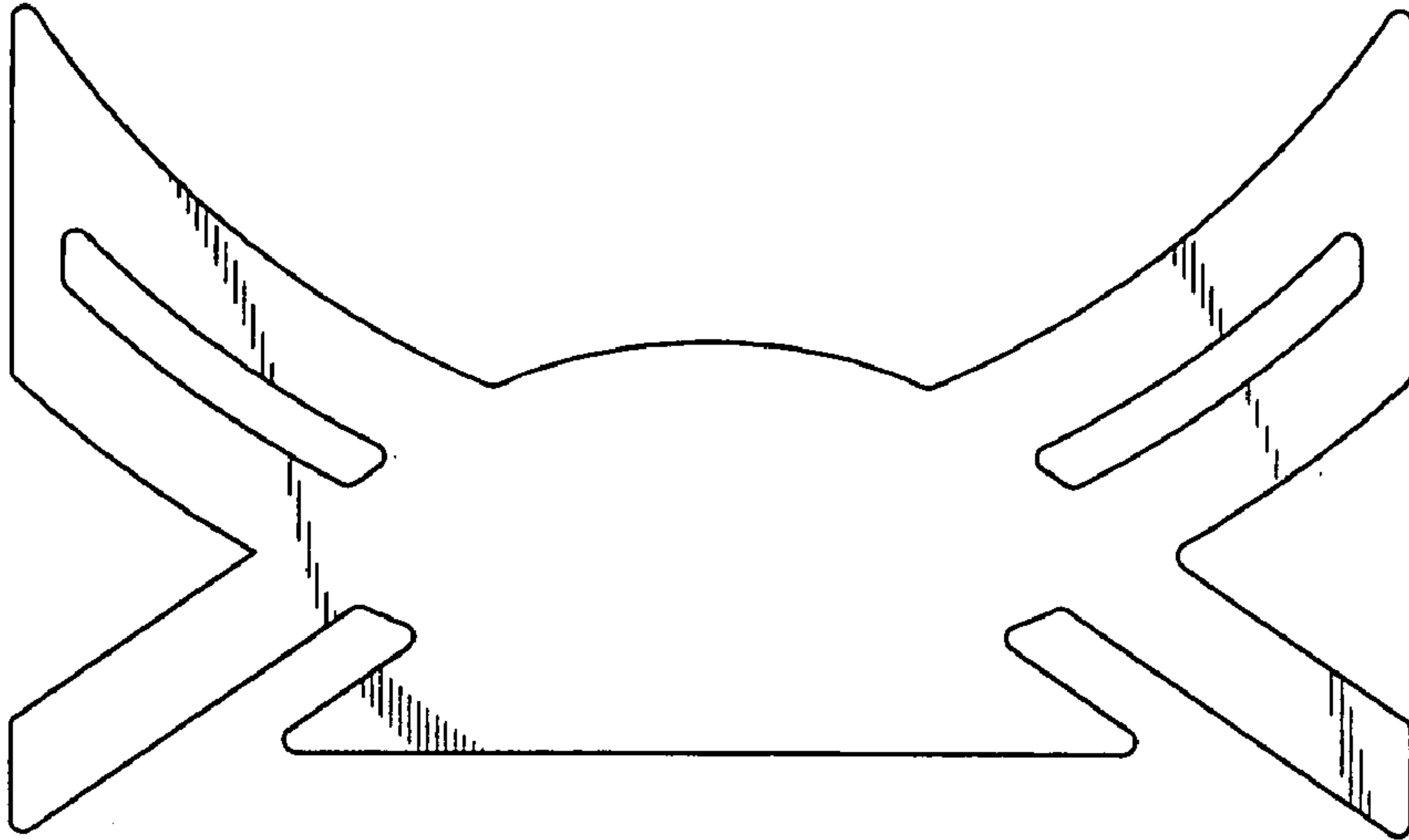


FIG. 5

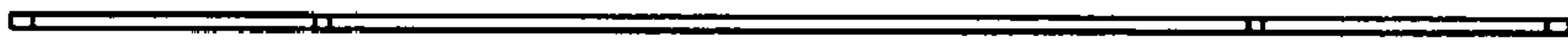


FIG. 6



FIG. 7

