



US00D545591S

(12) **United States Design Patent**
Ng et al.

(10) **Patent No.:** **US D545,591 S**
(45) **Date of Patent:** **** Jul. 3, 2007**

(54) **MODULAR ENTERTAINMENT CENTER**

(75) Inventors: **Edward Ng**, 931 Massachusetts Ave.,
Suite 604, Cambridge, MA (US) 02139;
Achyut Kantawala, Cambridge, MA
(US)

(73) Assignee: **Edward Ng**, Cambridge, MA (US)

(**) Term: **14 Years**

(21) Appl. No.: **29/202,858**

(22) Filed: **Apr. 6, 2004**

(51) **LOC (8) Cl.** **06-04**

(52) **U.S. Cl.** **D6/449; D6/478**

(58) **Field of Classification Search** D6/396,
D6/420, 422, 426, 429, 449, 473-476, 478-480;
211/13.1, 70.1, 135, 186; 108/59, 92, 115,
108/190; D21/334-337, 468, 480, 484, 489,
D21/491, 500; D14/449

See application file for complete search history.

(56) **References Cited**

U.S. PATENT DOCUMENTS

D423,825 S	*	5/2000	Alcala et al.	D6/478
D503,176 S	*	3/2005	Wirachowsky	D14/449
D505,809 S	*	6/2005	Cassidy et al.	D6/491
D514,356 S	*	2/2006	Ng et al.	D6/480
7,028,620 B1	*	4/2006	Lyndon	108/190
2001/0037987 A1	*	11/2001	Culp	211/186

* cited by examiner

Primary Examiner—Robert M. Spear

Assistant Examiner—Mary Ann Calabrese

(57) **CLAIM**

The ornamental design for a “modular entertainment center”, as shown and described.

DESCRIPTION

FIG. 1 is a front Perspective view, of a modular entertainment center, the rear perspective view is a mirror image of the front view;

FIG. 2 is a top Plan view thereof;

FIG. 3 is a bottom Plan view thereof;

FIG. 4 is a front Elevational view thereof the rear elevational view is a mirror image of the front view;

FIG. 5 is a left Elevational view thereof;

FIG. 6 is a right Elevational view thereof;

FIG. 7 is an Exploded view of FIG. 1 showing the separate components thereof;

FIG. 8 is a fragmentary front Perspective view of 3 boards thereof joined together by connector rods;

FIG. 9 is an exploded view of FIG. 8;

FIG. 10 is an exploded view of FIG. 9 showing the connector rods;

FIG. 11 is an enlarged fragmentary view of the circled area of FIG. 10;

FIG. 12 is a top plan view of the first horizontal board with the bottom being a mirror image thereof;

FIG. 13 is a front elevational view of the first horizontal board with the rear being a mirror image thereof;

FIG. 14 is a top plan view of the second horizontal board with the bottom being a mirror image thereof;

FIG. 15 is a front elevational view of the second horizontal board with the rear being a mirror image thereof;

FIG. 16 is a top plan view of the third horizontal board with the bottom being a mirror image thereof;

FIG. 17 is a front elevational view of the third horizontal board with the rear being a mirror image thereof;

FIG. 18 is a top plan view of the fourth horizontal board with the bottom being a mirror image thereof;

FIG. 19 is a front elevational view of the fourth horizontal board with the rear being a mirror image thereof;

FIG. 20 is a top plan view of the fifth horizontal board with the bottom being a mirror image thereof;

FIG. 21 is a front elevational view of the fifth horizontal board with the rear being a mirror image thereof;

FIG. 22 is a top plan view of the sixth horizontal board with the bottom being a mirror image thereof;

FIG. 23 is a front elevational view of the sixth horizontal board with the rear being a mirror image thereof;

FIG. 24 is at top plan view of the seventh horizontal board with the bottom being a mirror image thereof;

FIG. 25 is a front elevational view of the seventh horizontal board with the rear being a mirror image thereof;

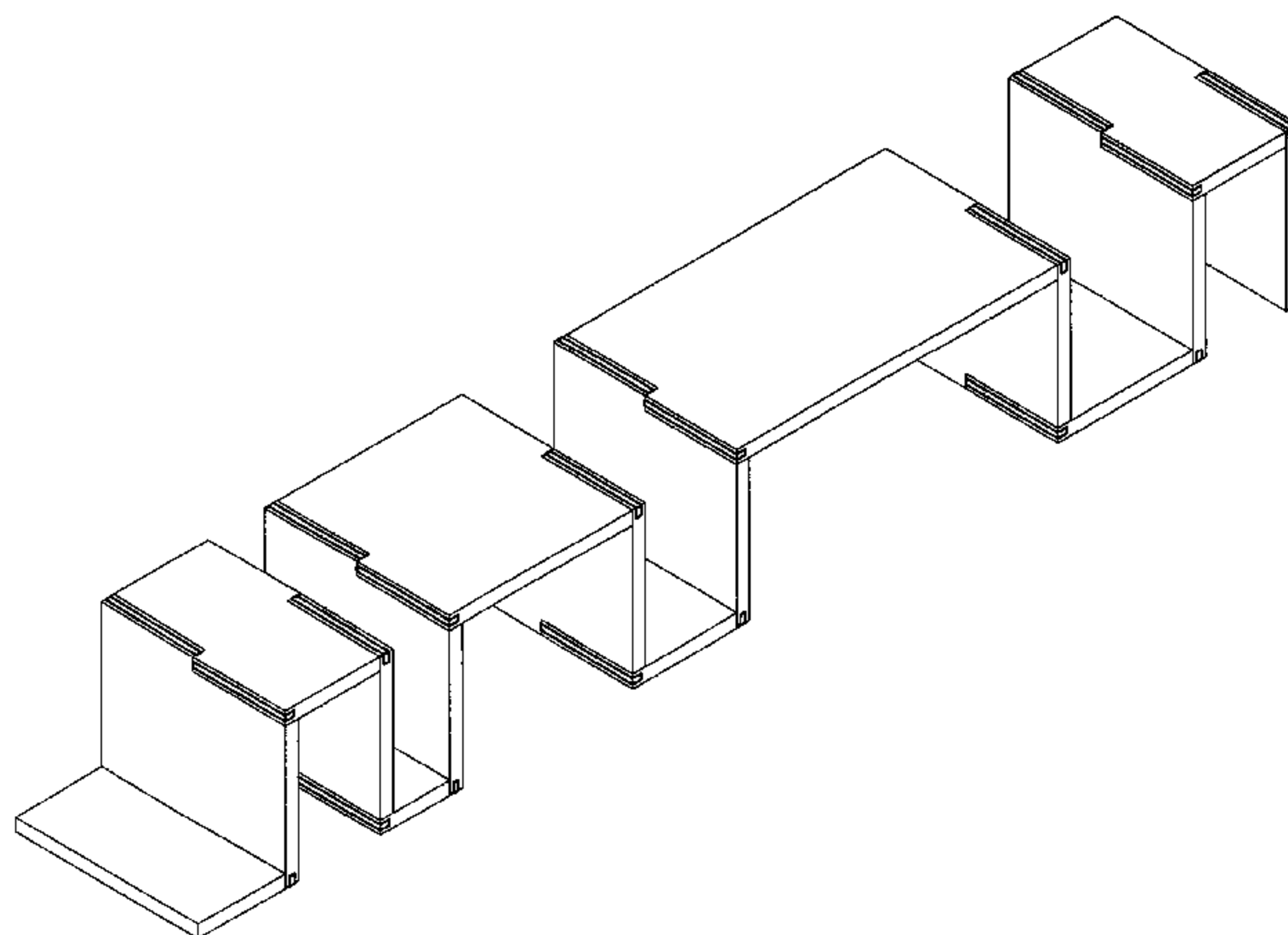


FIG. 26 is a top plan view of the eighth horizontal board with the bottom being a mirror image thereof;

FIG. 27 is a front elevational view of the eighth horizontal board with the rear being a mirror image thereof;

FIG. 28 is a side Elevational view of all boards of Entertainment Center except the end-piece boards;

FIG. 29 is a side Elevational view of end-piece board;

FIG. 30 is a top Plan view of connector rod shown removed from the entertainment center for clarity;

FIG. 31 is a bottom Plan view of connector rod;

FIG. 32 is a left Elevational view of connector rod;

FIG. 33 is a right Elevational view of connector rod;

FIG. 34 is a front Elevational view of connector rod;

FIG. 35 is a rear Elevational view of connector rod;

FIG. 36 is an enlarged view of FIG. 34;

FIG. 37 is an enlarged view of FIG. 35; and,

FIG. 38 and FIG. 39 are front Elevational views with components arranged in different configurations of use, the rear elevational view is a mirror image of the front view.

In the drawings, the broken lines represent environmental structure forming no part of the claim.

1 Claim, 5 Drawing Sheets

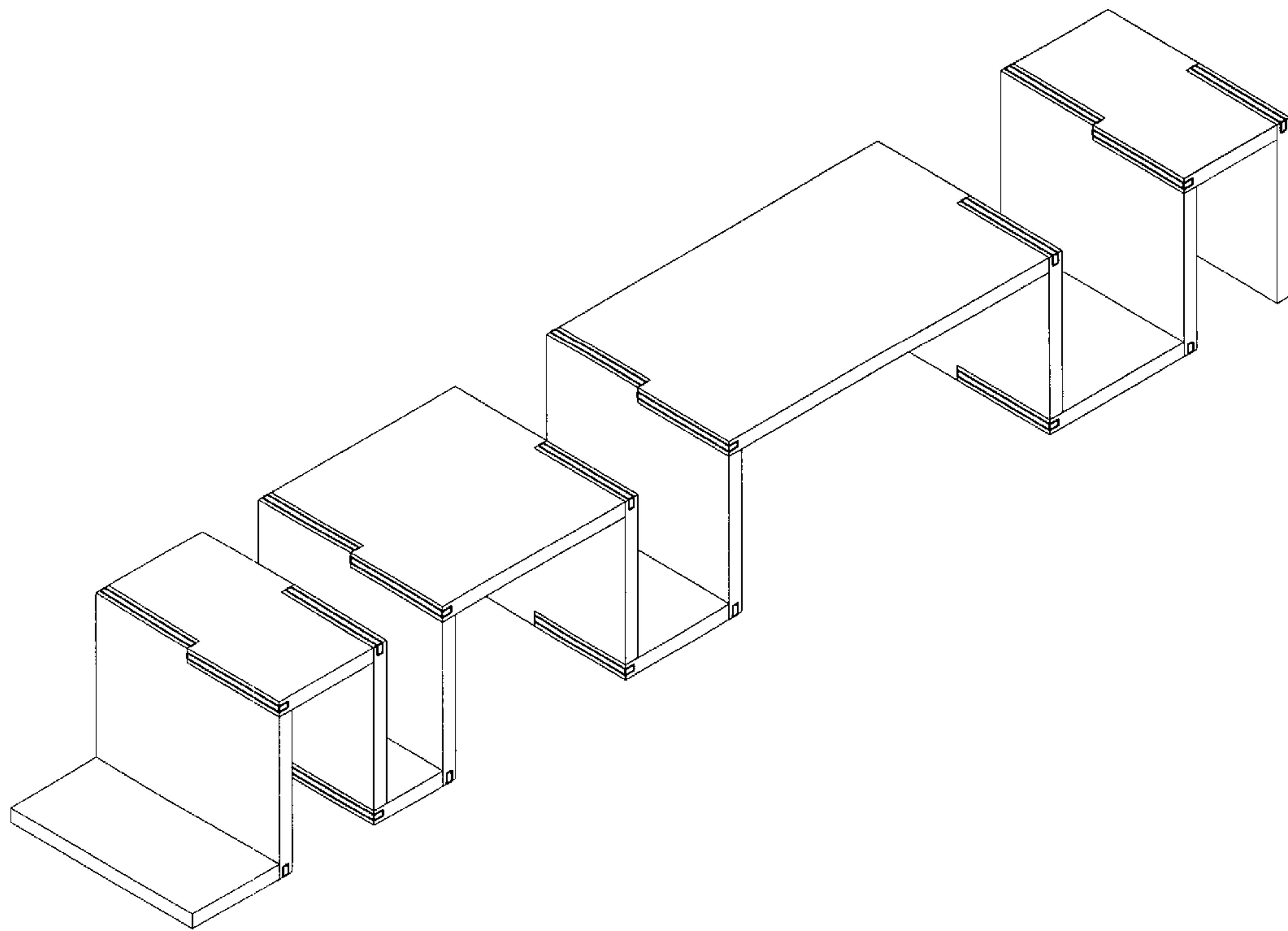


Fig. 1

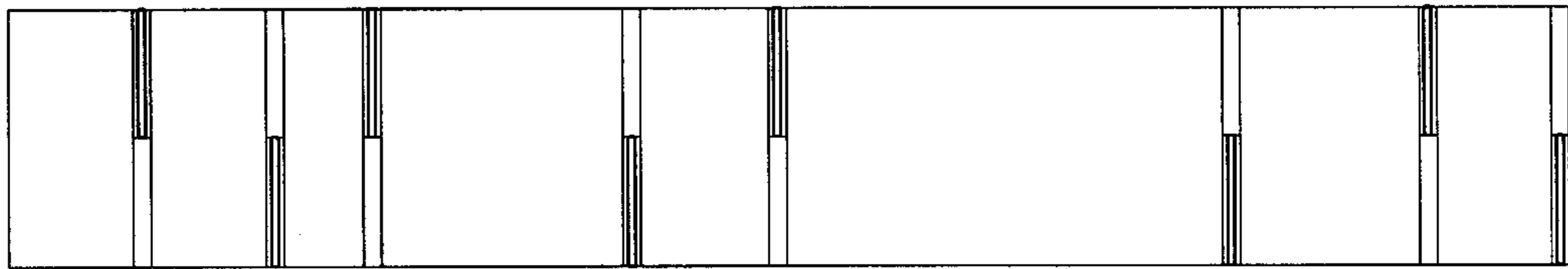


Fig. 2

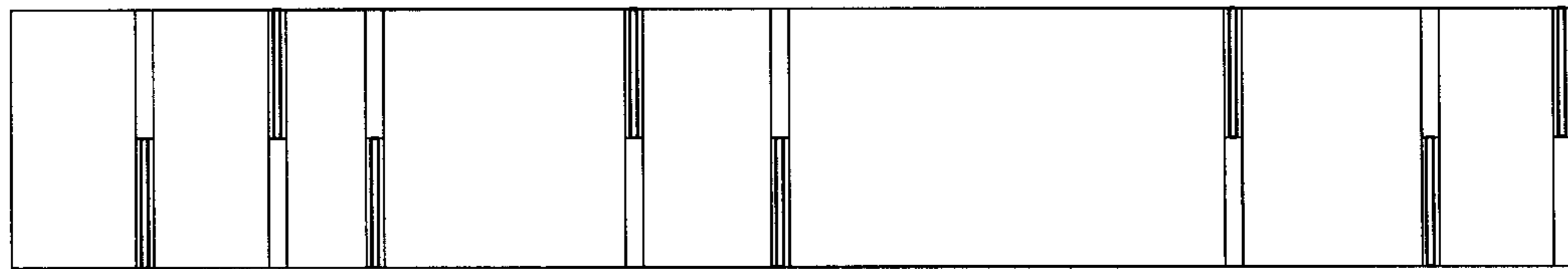


Fig. 3

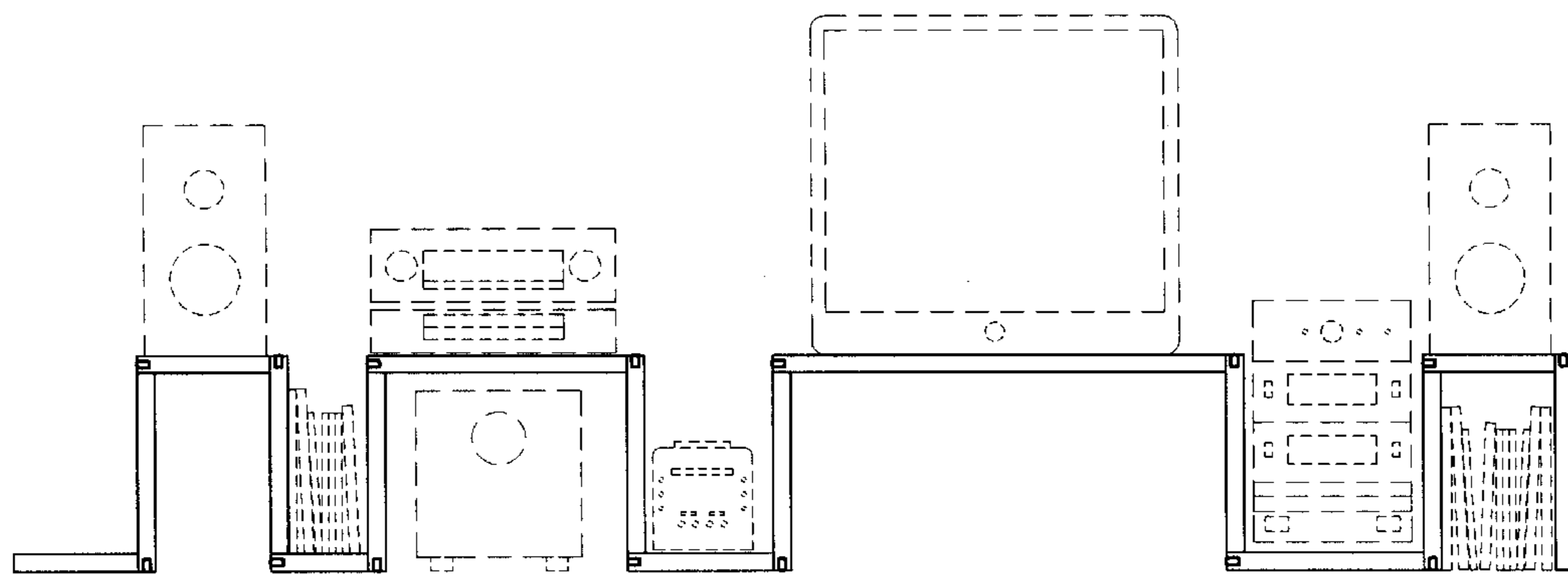


Fig. 4

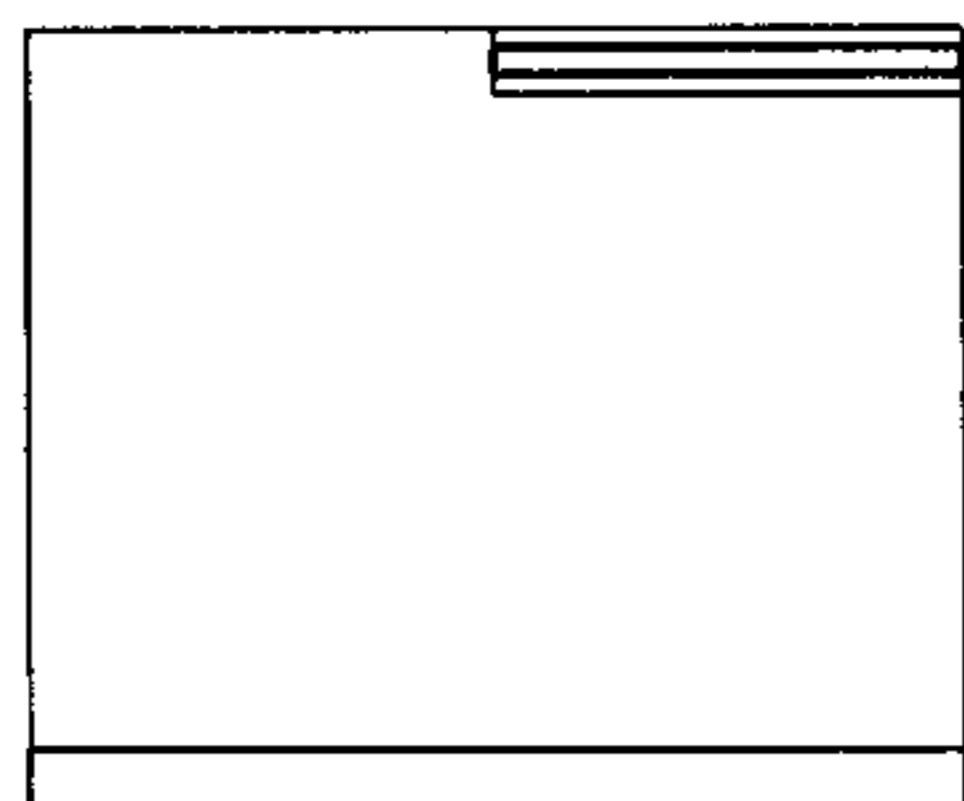


Fig. 5

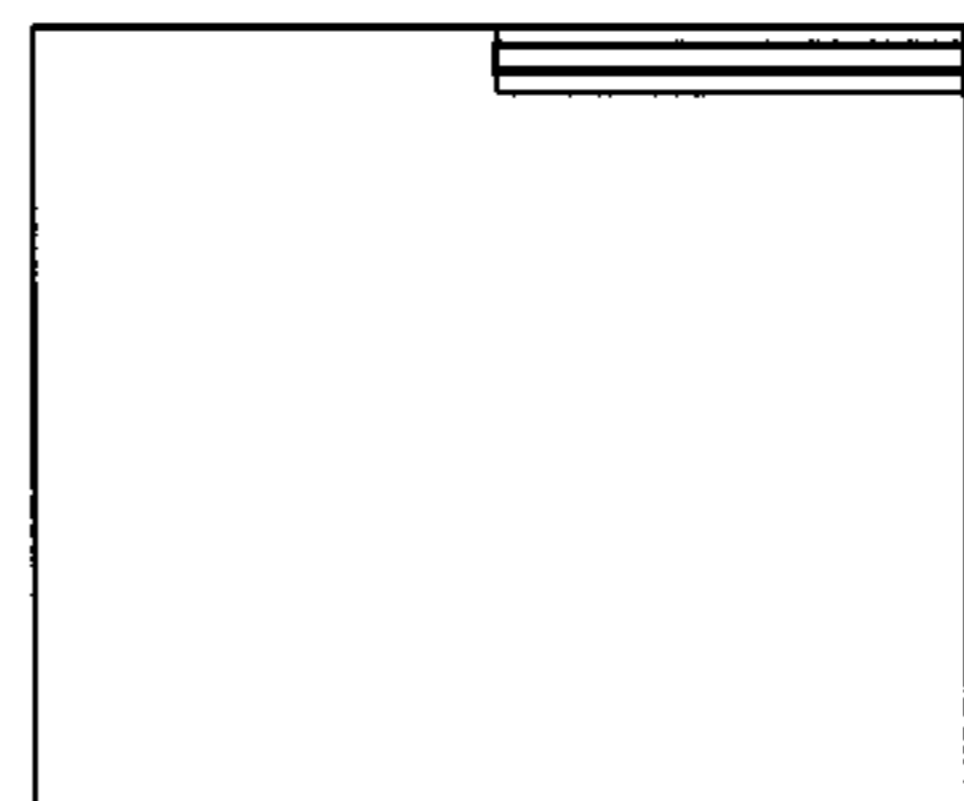


Fig. 6

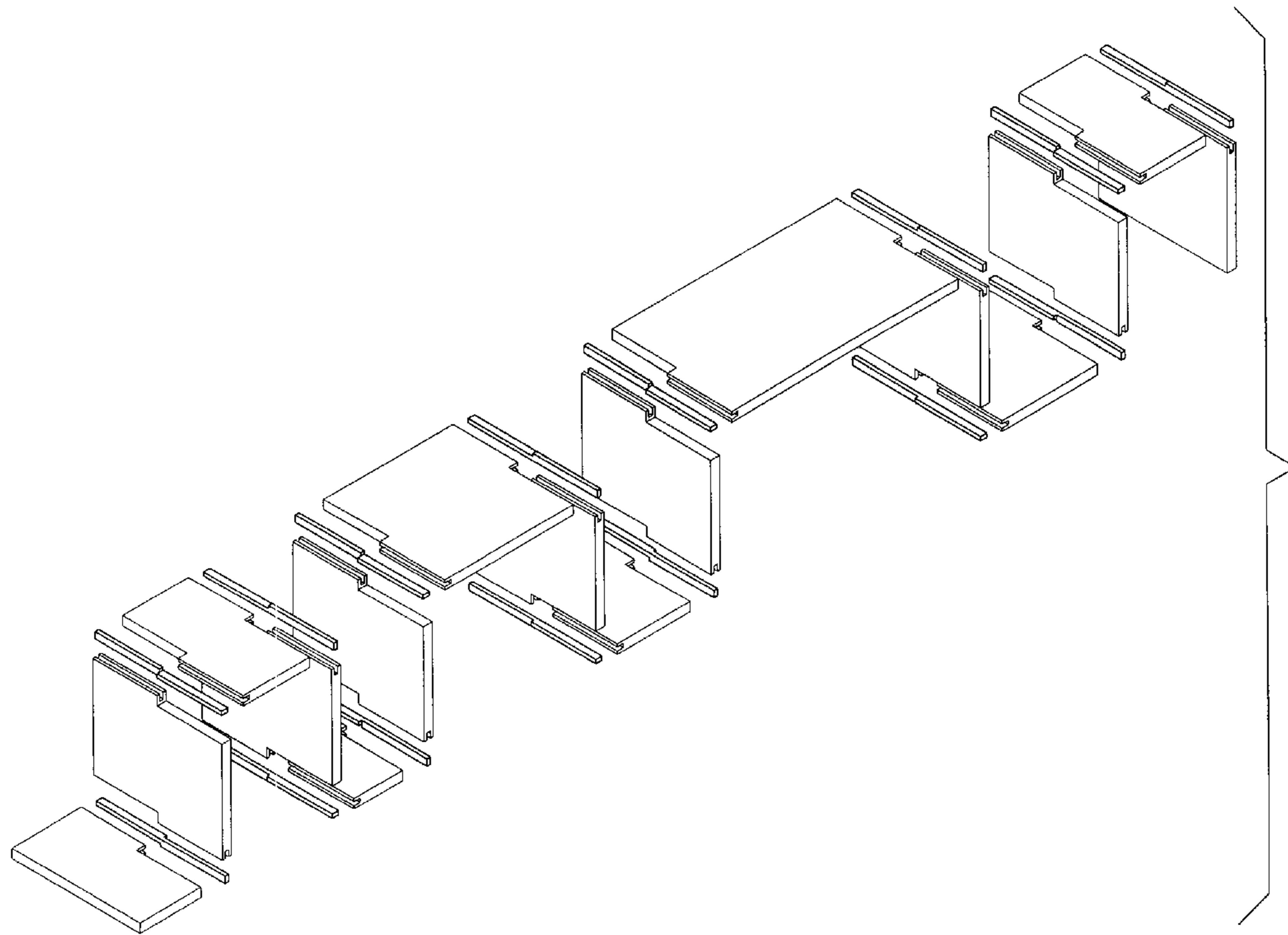


Fig. 7

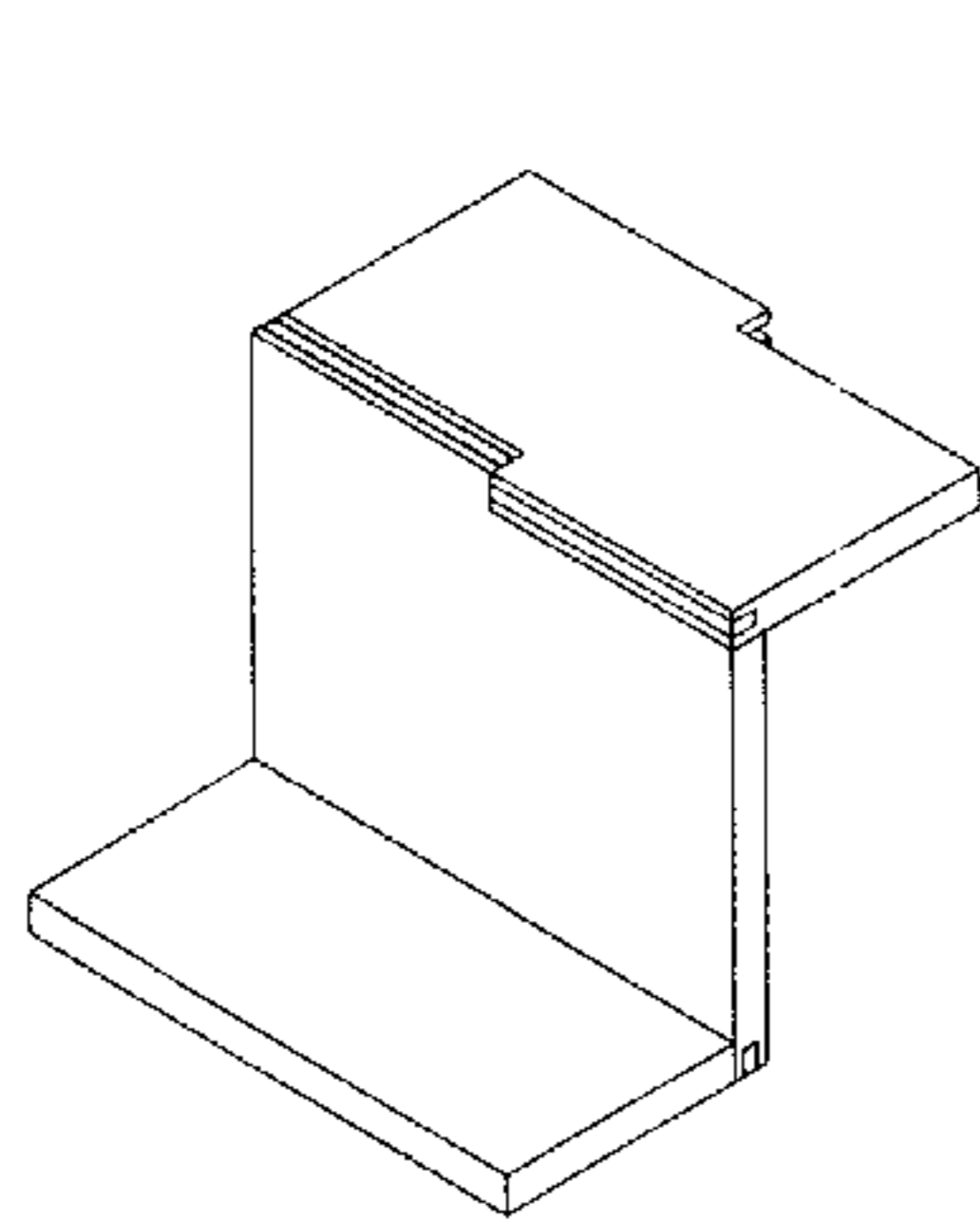


Fig. 8

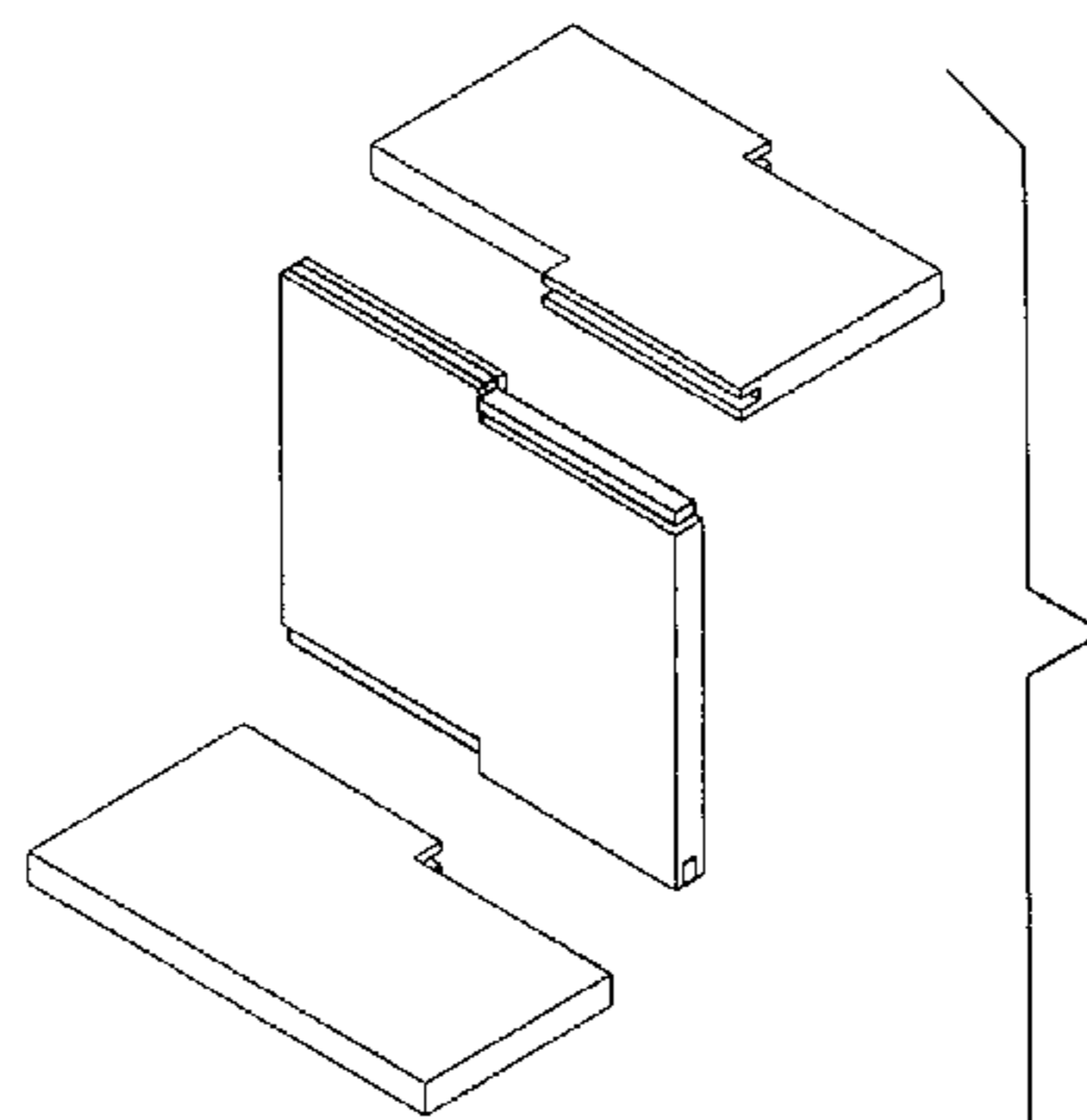


Fig. 9

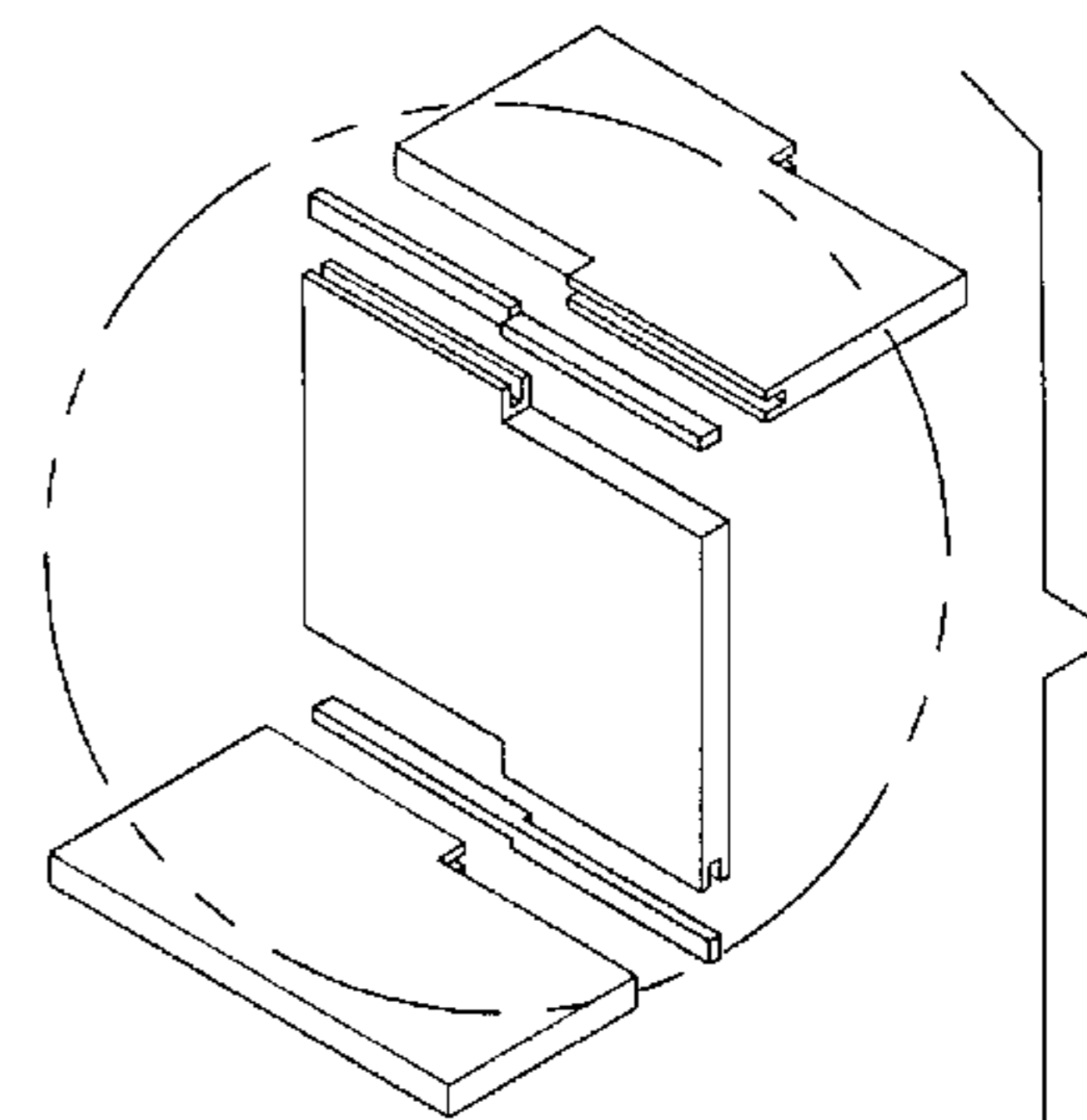


Fig. 10

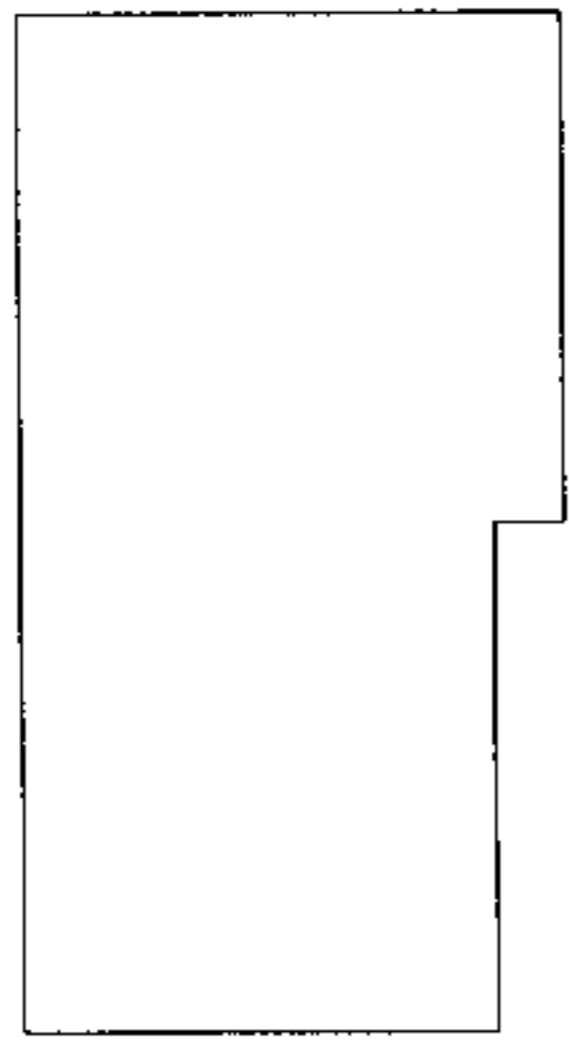


Fig. 12

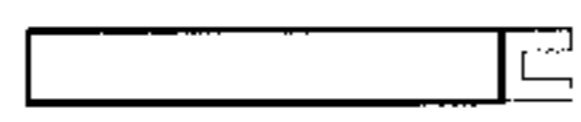


Fig. 13

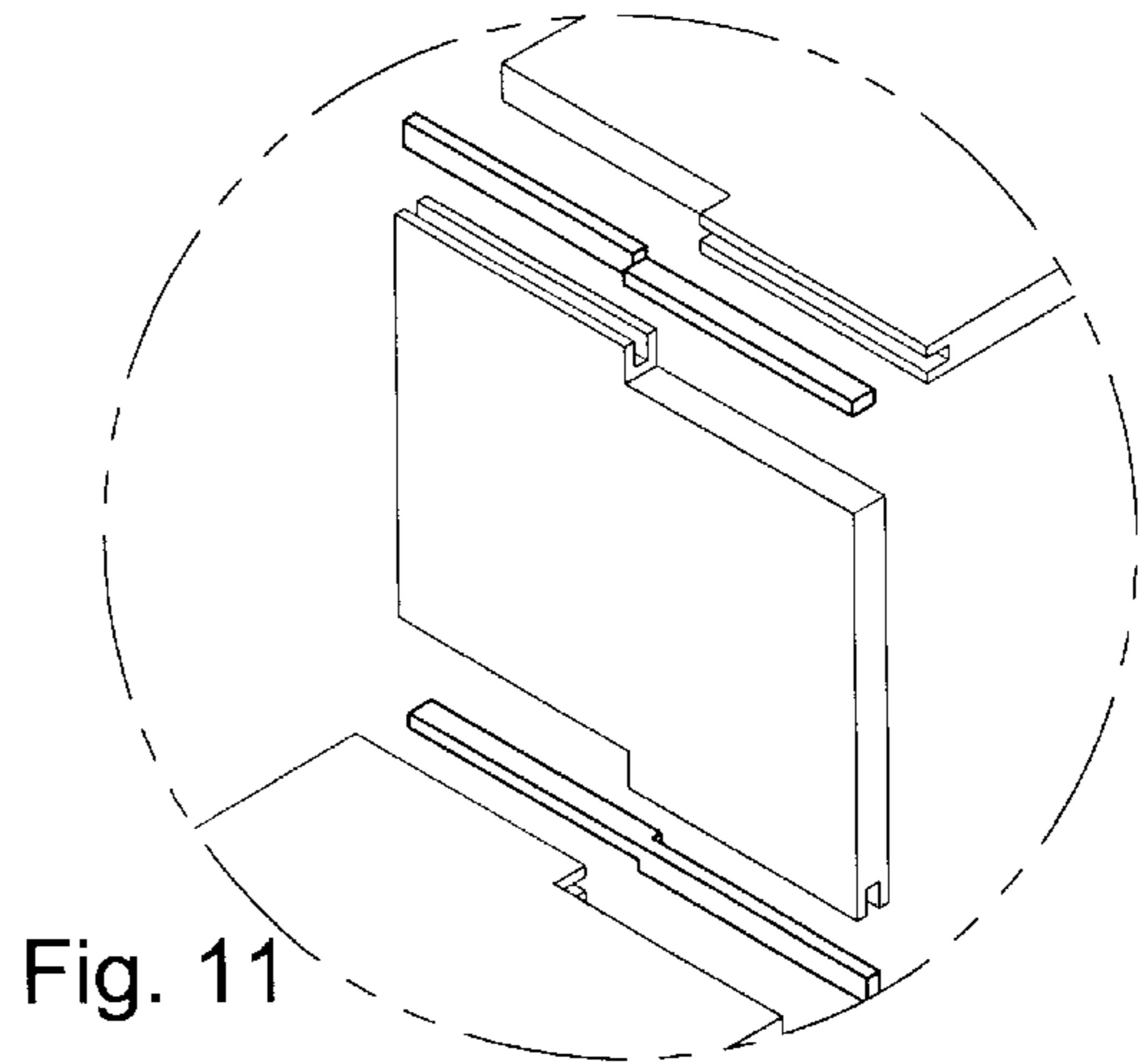


Fig. 11

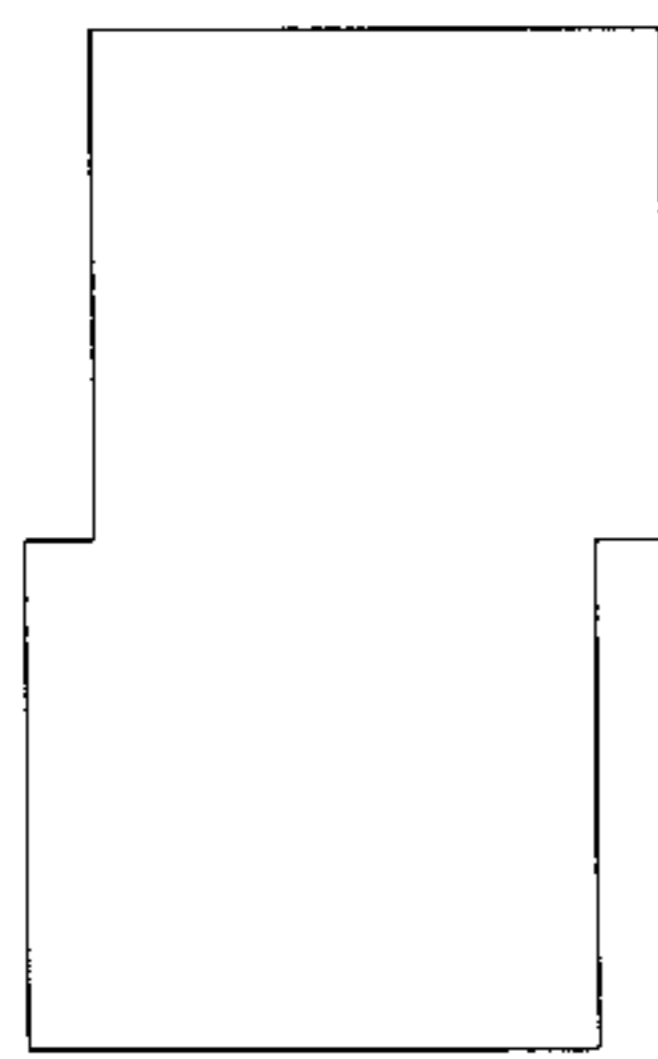


Fig. 14

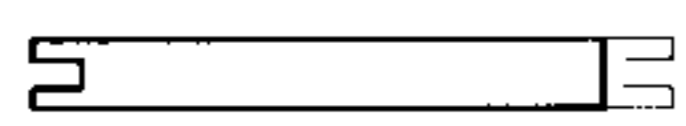


Fig. 15

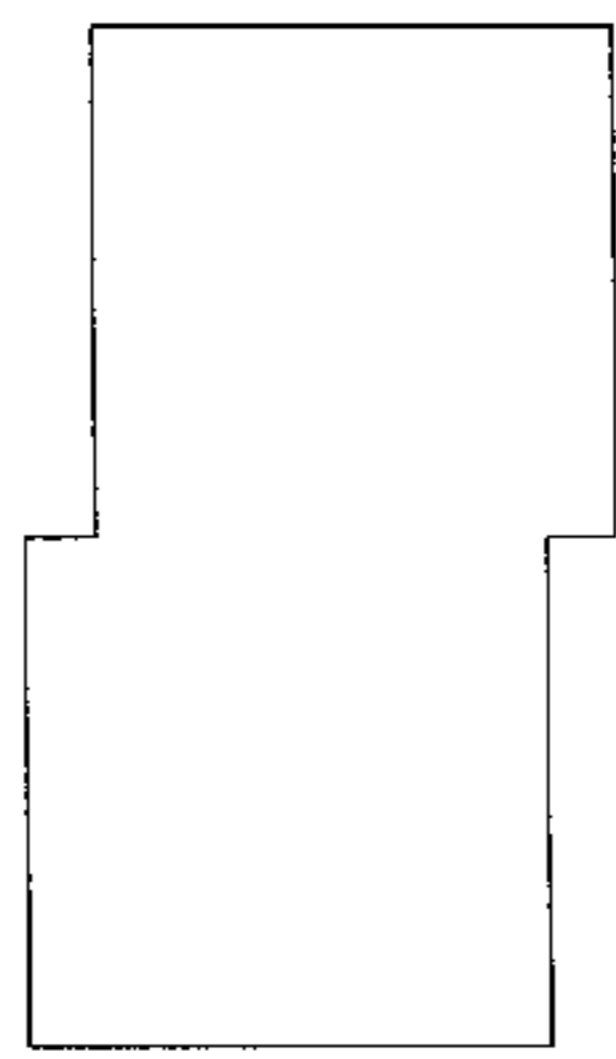


Fig. 16

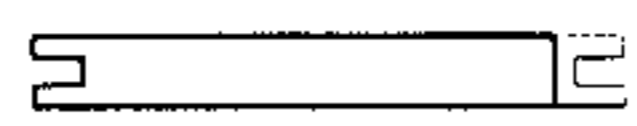


Fig. 17

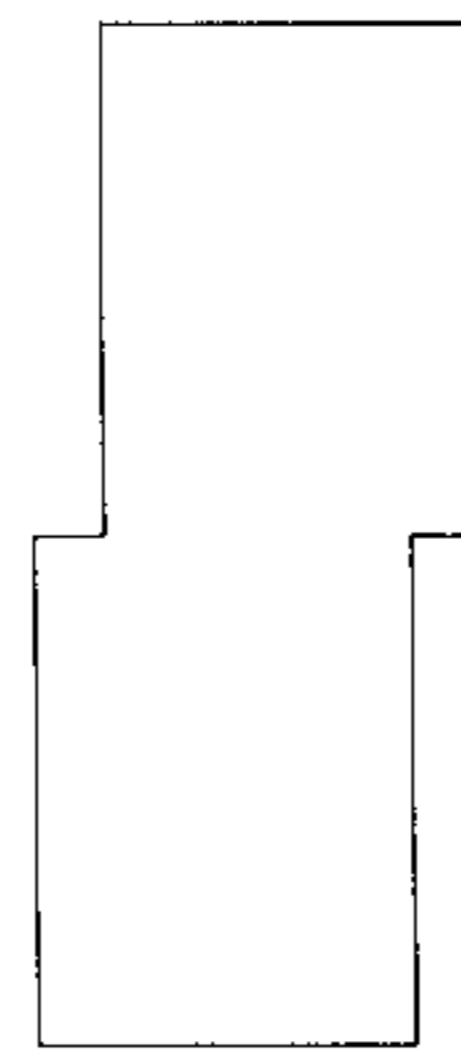


Fig. 18

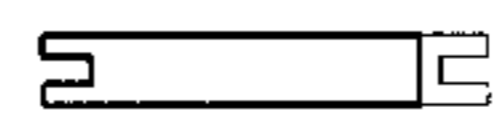


Fig. 19

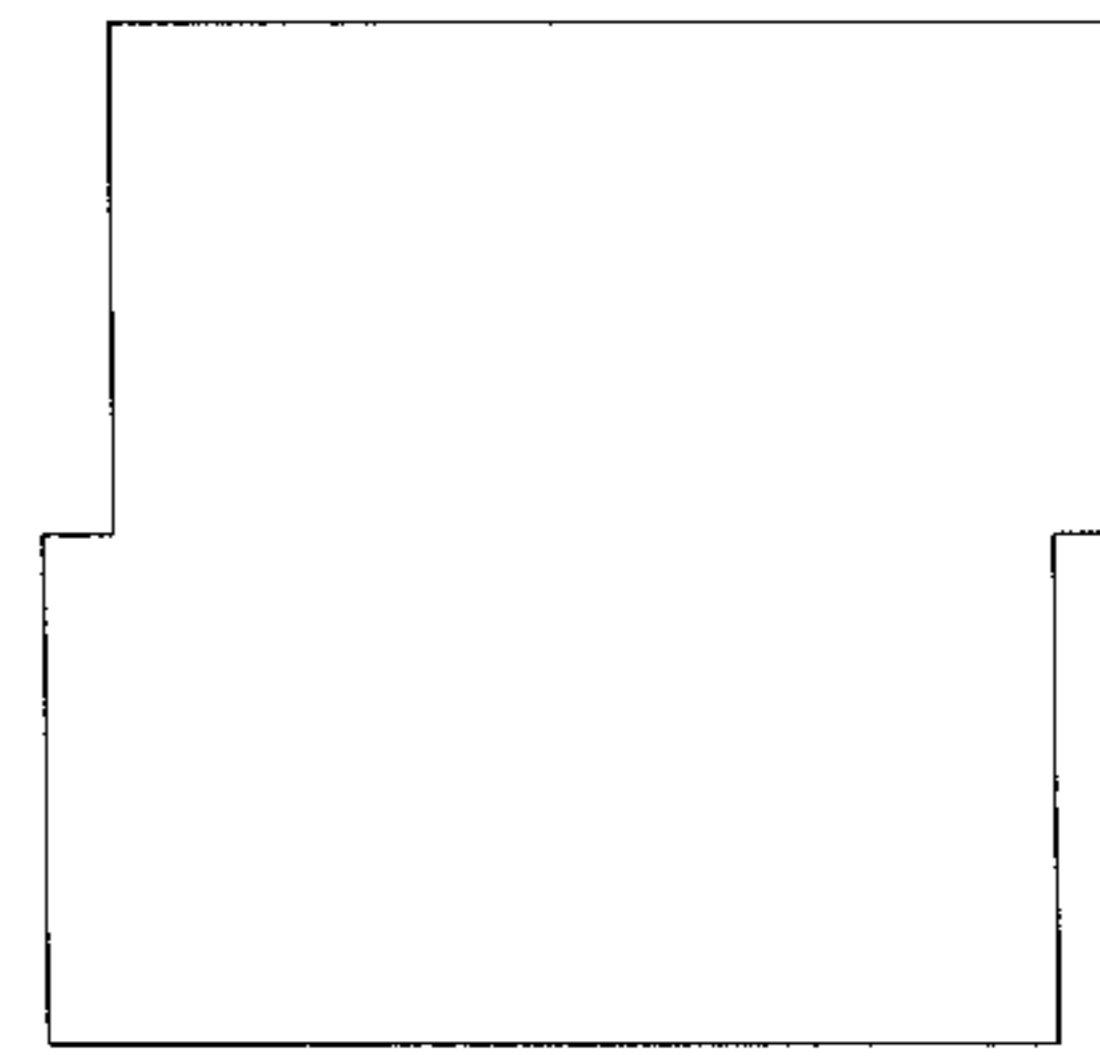


Fig. 20

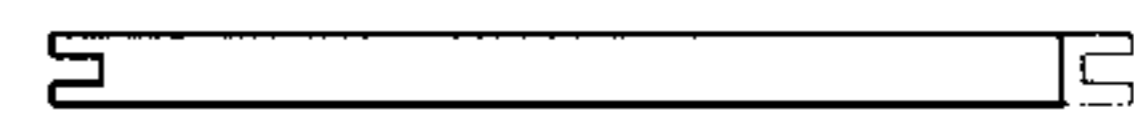


Fig. 21

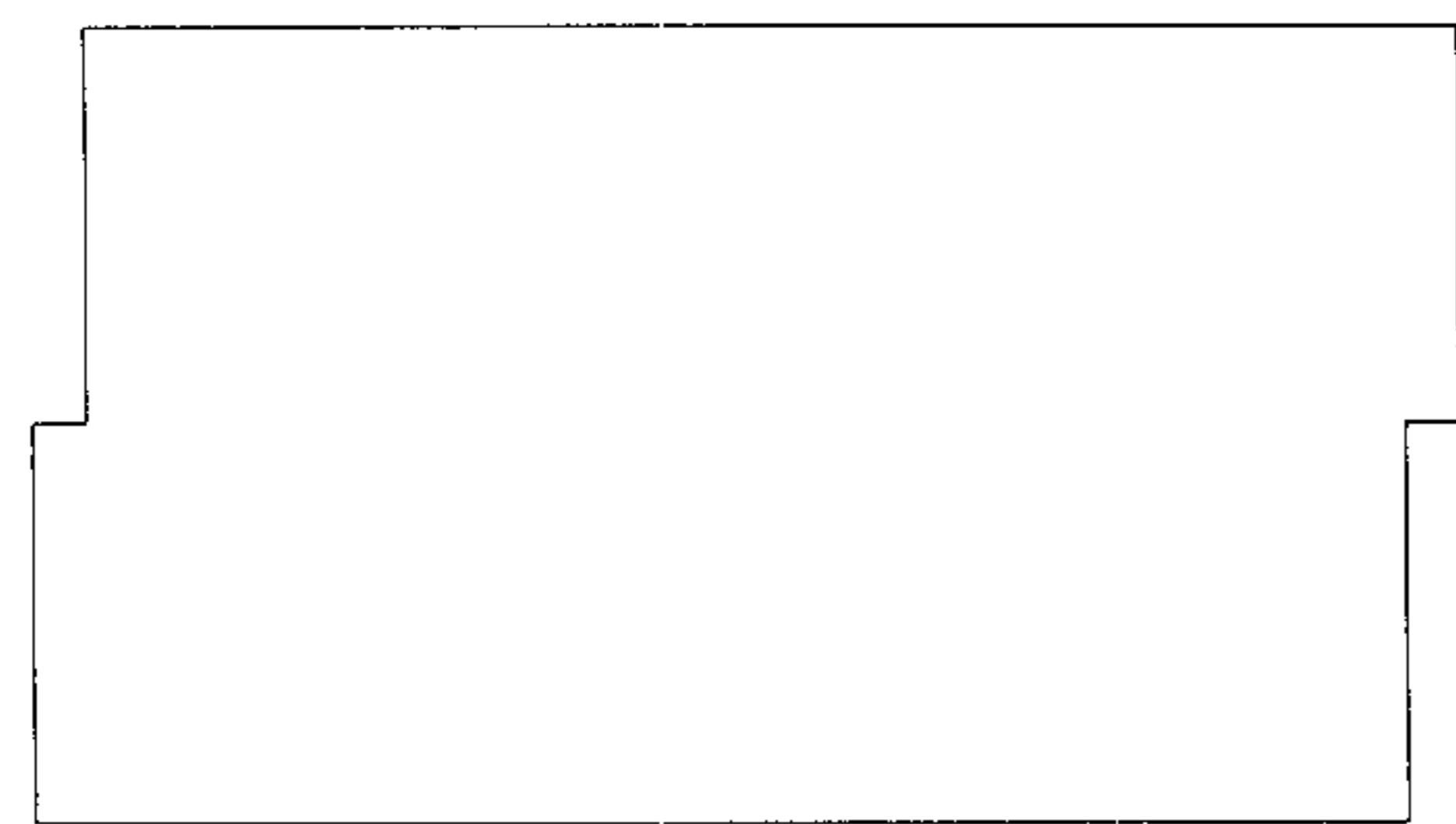


Fig. 22

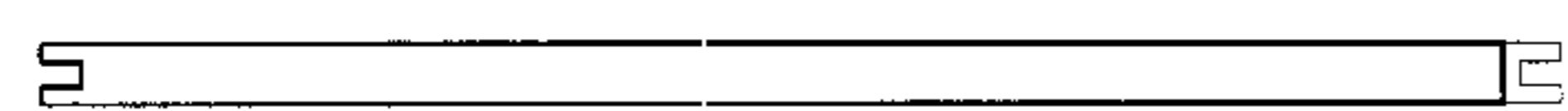


Fig. 23

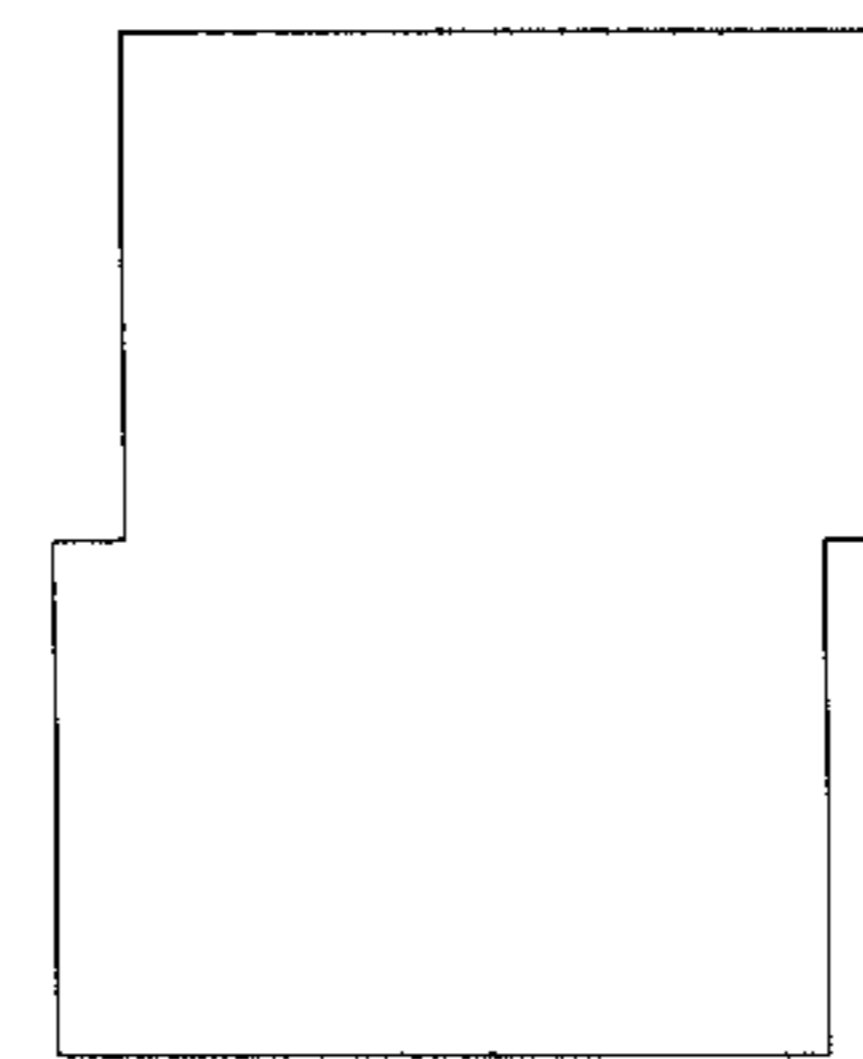


Fig. 24

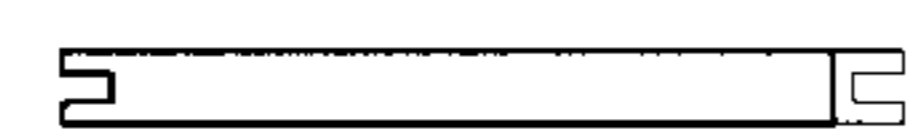


Fig. 25

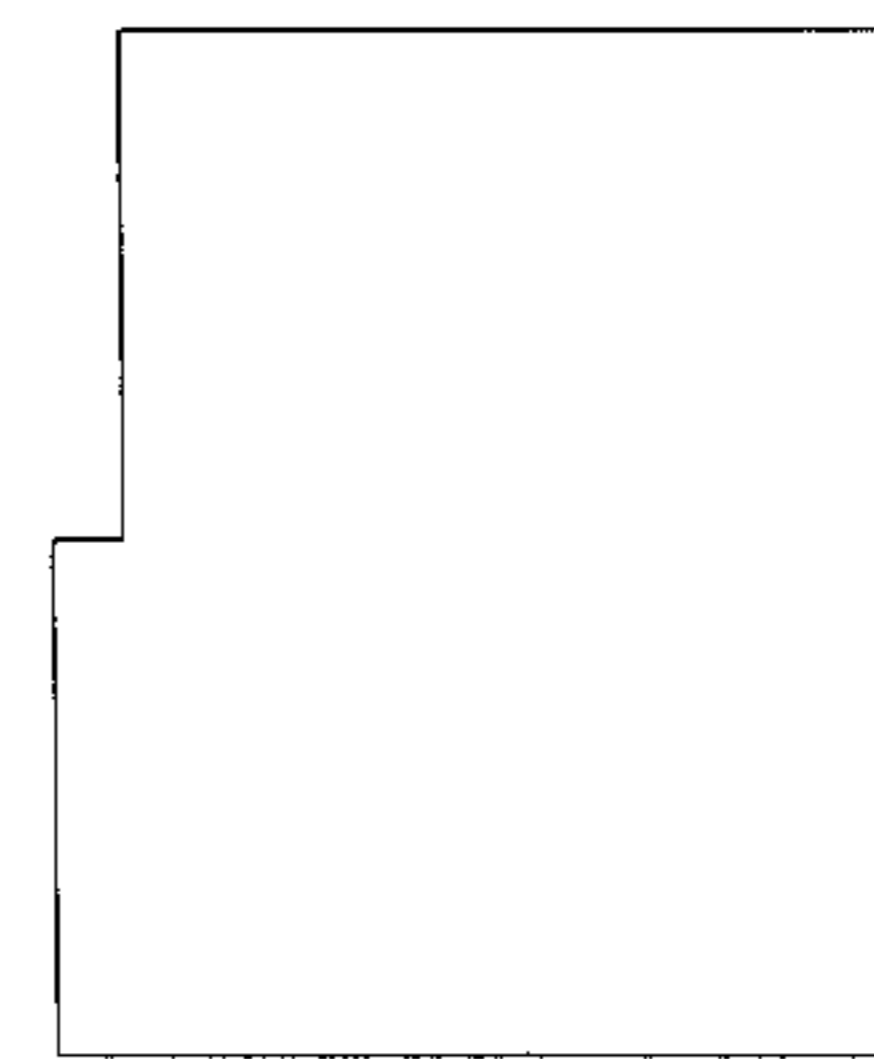


Fig. 26

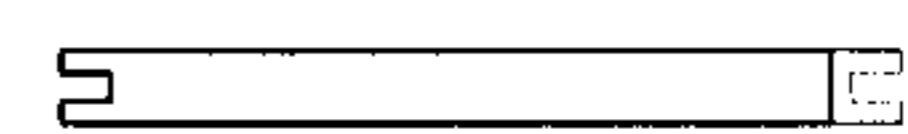


Fig. 27

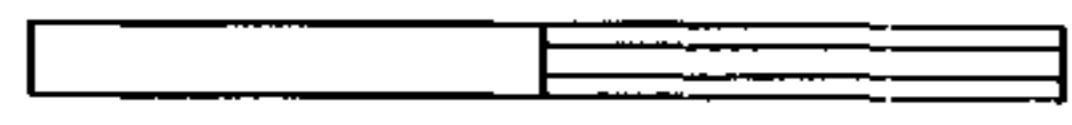


Fig. 28

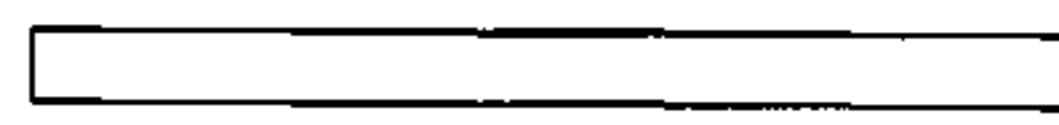


Fig. 29

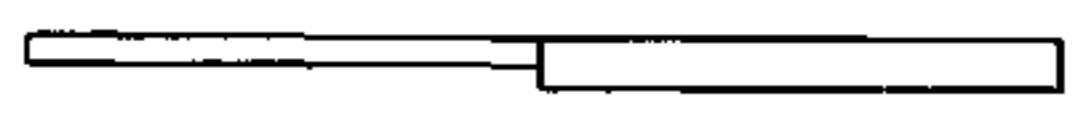


Fig. 30

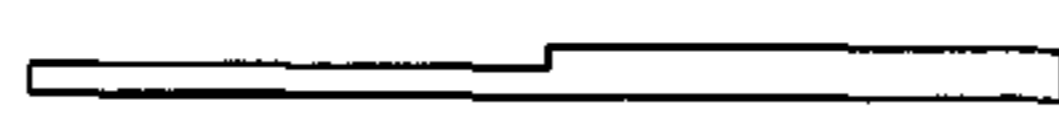


Fig. 32

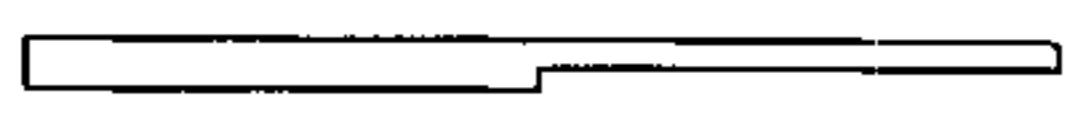


Fig. 31

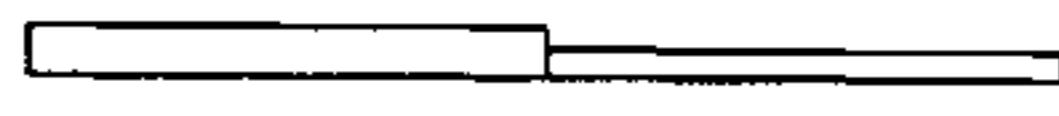


Fig. 33

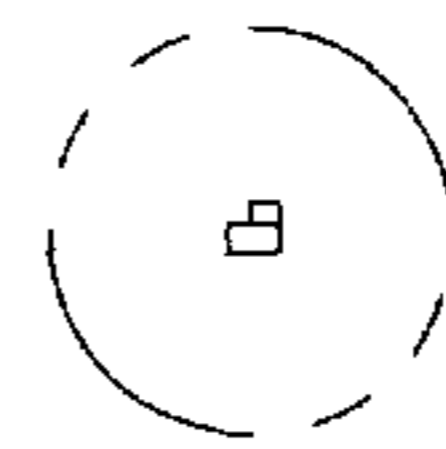


Fig. 34

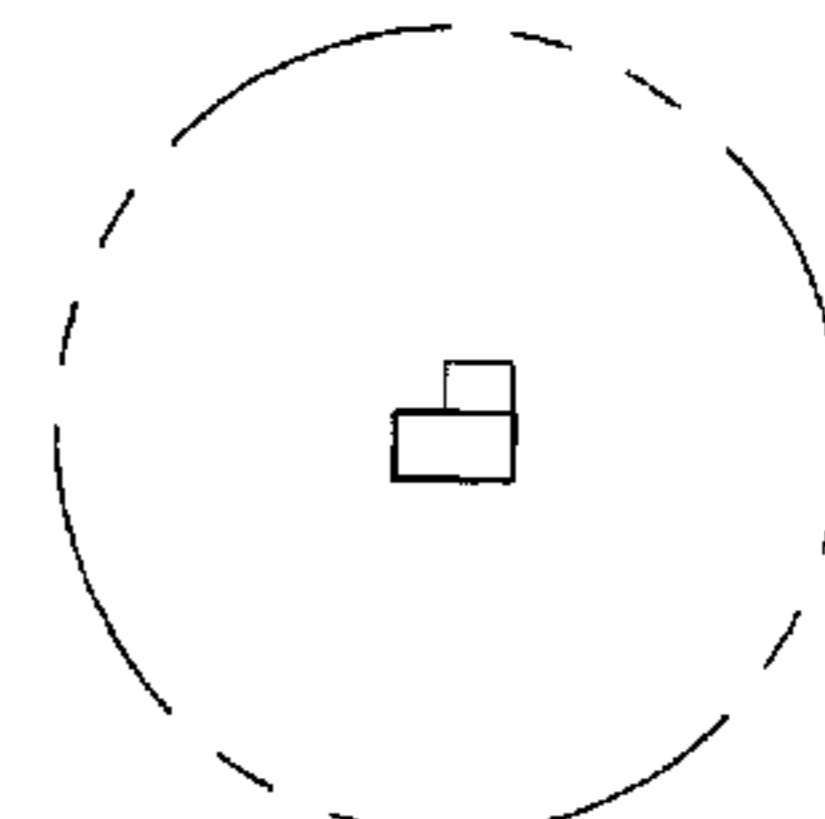


Fig. 36

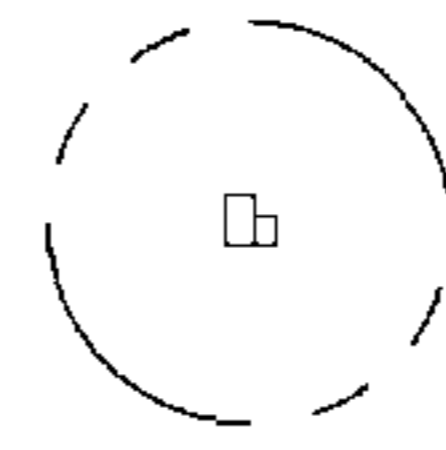


Fig. 35

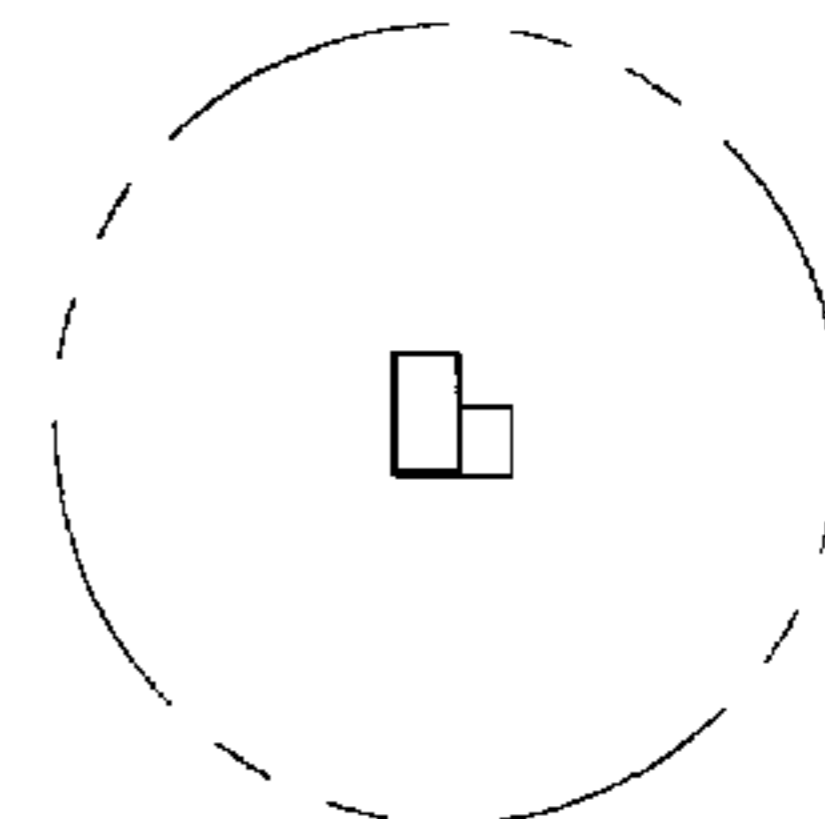


Fig. 37

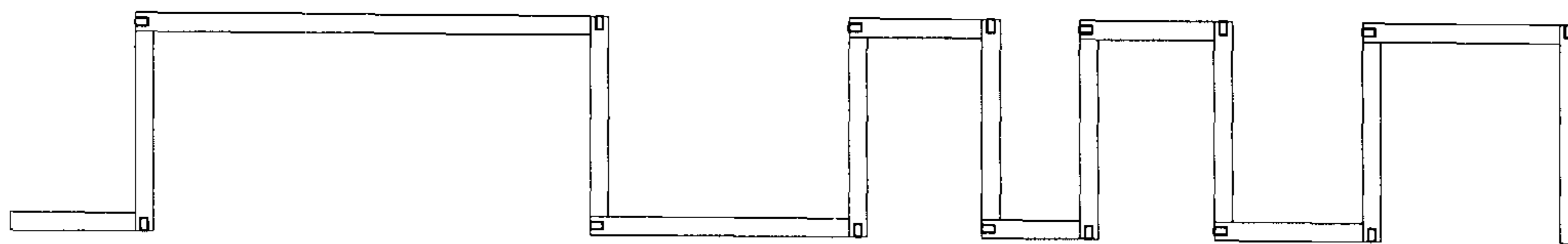


Fig. 38

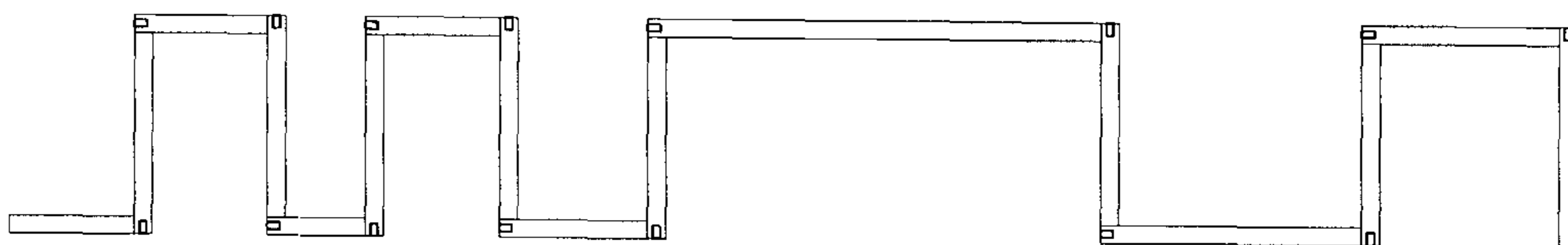


Fig. 39