



US00D545589S

(12) **United States Design Patent**
DeCarlo et al.

(10) **Patent No.:** **US D545,589 S**
(45) **Date of Patent:** **** Jul. 3, 2007**

(54) **COLLAPSIBLE MEDIA STORAGE CASE**

(57) **CLAIM**

(75) Inventors: **Anthony J. DeCarlo**, Bay Village, OH (US); **Daniel V. Perella**, Hudson, OH (US); **Vincent J. Thomson**, Avon Lake, OH (US)

The ornamental design for a collapsible media storage case, as shown and described.

(73) Assignee: **IdeaStream Consumer Products LLC**, Parma, OH (US)

DESCRIPTION

(**) Term: **14 Years**

FIG. 1 is a perspective view of a collapsible media storage case in an assembled state with one drawer in an extended position showing our new design;

(21) Appl. No.: **29/225,855**

FIG. 2 is a perspective view of a collapsible box of the collapsible media storage case shown separately for completeness of illustration;

(22) Filed: **Mar. 21, 2005**

FIG. 3 is a front elevation view of the collapsible box;

Related U.S. Application Data

FIG. 4 is a top plan view of the collapsible box, the bottom plan view is similar to the top plan view;

(63) Continuation-in-part of application No. 29/201,183, filed on Mar. 11, 2004, now Pat. No. Des. 504,272.

FIG. 5 is a left side elevation view of the collapsible box, the right side elevation view is similar to the left side elevation view;

(51) **LOC (8) Cl.** **06-04**

FIG. 6 is a rear elevation view of the collapsible box;

(52) **U.S. Cl.** **D6/446; D6/632**

FIG. 7 is a top plan view of the collapsible box in a collapsed state;

(58) **Field of Classification Search** D6/432-448, D6/407, 631, 632; D3/273, 297; D19/92; 312/204, 9.1, 9.47, 9.54, 9.64, 108, 257.1, 312/330.1

See application file for complete search history.

FIG. 8 is a perspective view of a collapsible drawer of the collapsible media storage case shown separately for completeness of illustration;

(56) **References Cited**

FIG. 9 is a front elevation view of the collapsible drawer;

U.S. PATENT DOCUMENTS

D204,506 S 4/1966 Mellion
3,748,008 A 7/1973 Pryor
D295,122 S 4/1988 Madsen

FIG. 10 is a top plan view of the collapsible drawer, the bottom plan view is similar to the top plan view;

(Continued)

OTHER PUBLICATIONS

Metal Business Equipment, Peerless Steel Equipment Co., 1700 Series 2 drawer files, p. 61, May 1999.

FIG. 11 is a left side elevation view of the collapsible drawer, the right side elevation view is similar to the left side elevation view;

Primary Examiner—Cathron C. Brooks

FIG. 12 is a rear elevation view of the collapsible drawer;

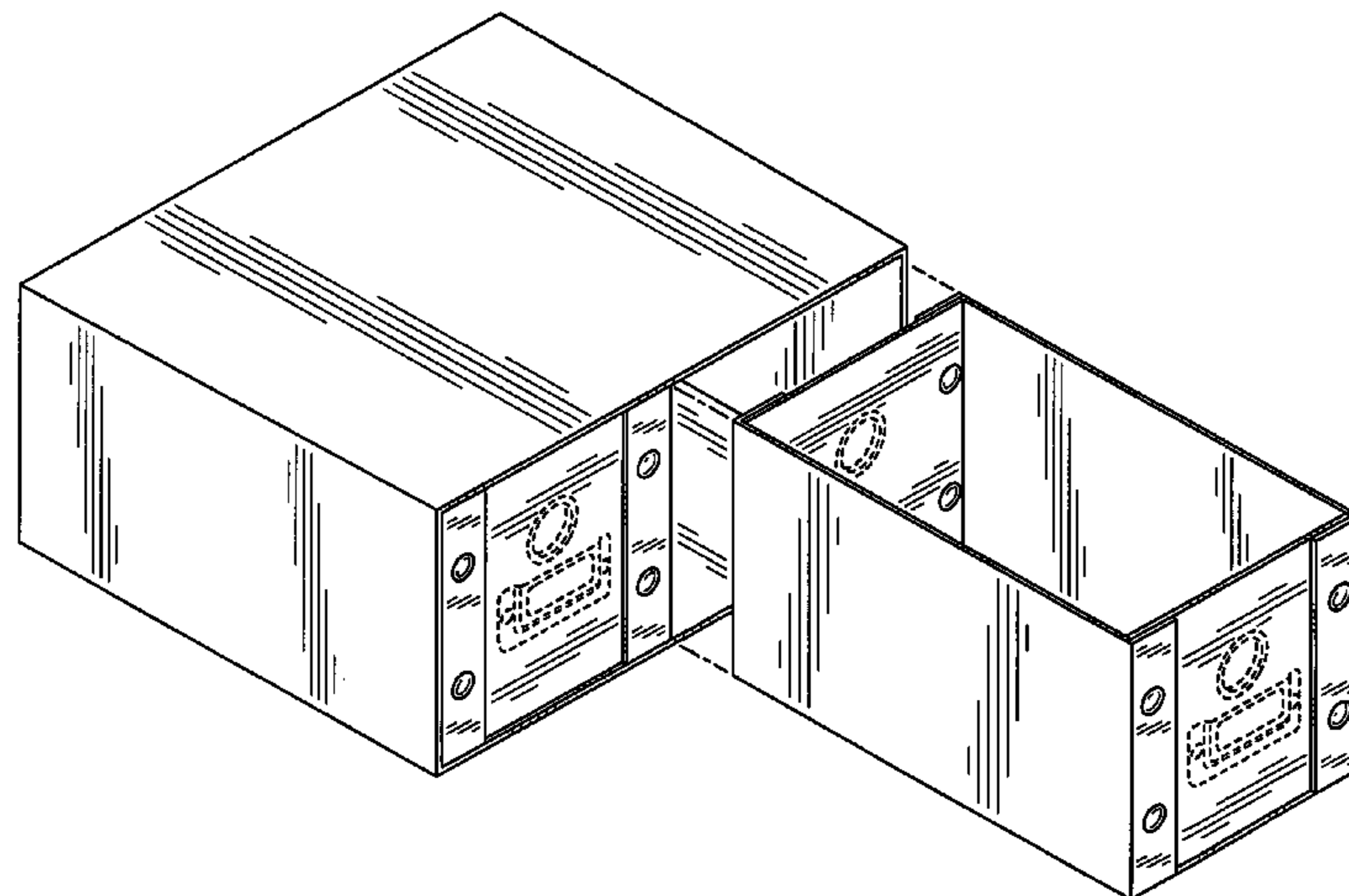
(74) *Attorney, Agent, or Firm*—Pillsbury Winthrop Shaw Pittman LLP

FIG. 13 is a bottom plan view of the collapsible drawer;

FIG. 14 is a top plan view of the collapsible drawer in a collapsed state; and,
FIG. 15 is a bottom plan view of the collapsible drawer in a collapsed state.

The broken lines shown are for illustrative purposes only and form no part of the claimed design.

1 Claim, 10 Drawing Sheets



US D545,589 S

Page 2

U.S. PATENT DOCUMENTS

5,016,946 A 5/1991 Reznikov et al.
5,454,634 A 10/1995 Herbst et al.

D435,364 S 12/2000 Felsenthal
D493,303 S 7/2004 Perella et al.
D497,252 S 10/2004 Perella et al.

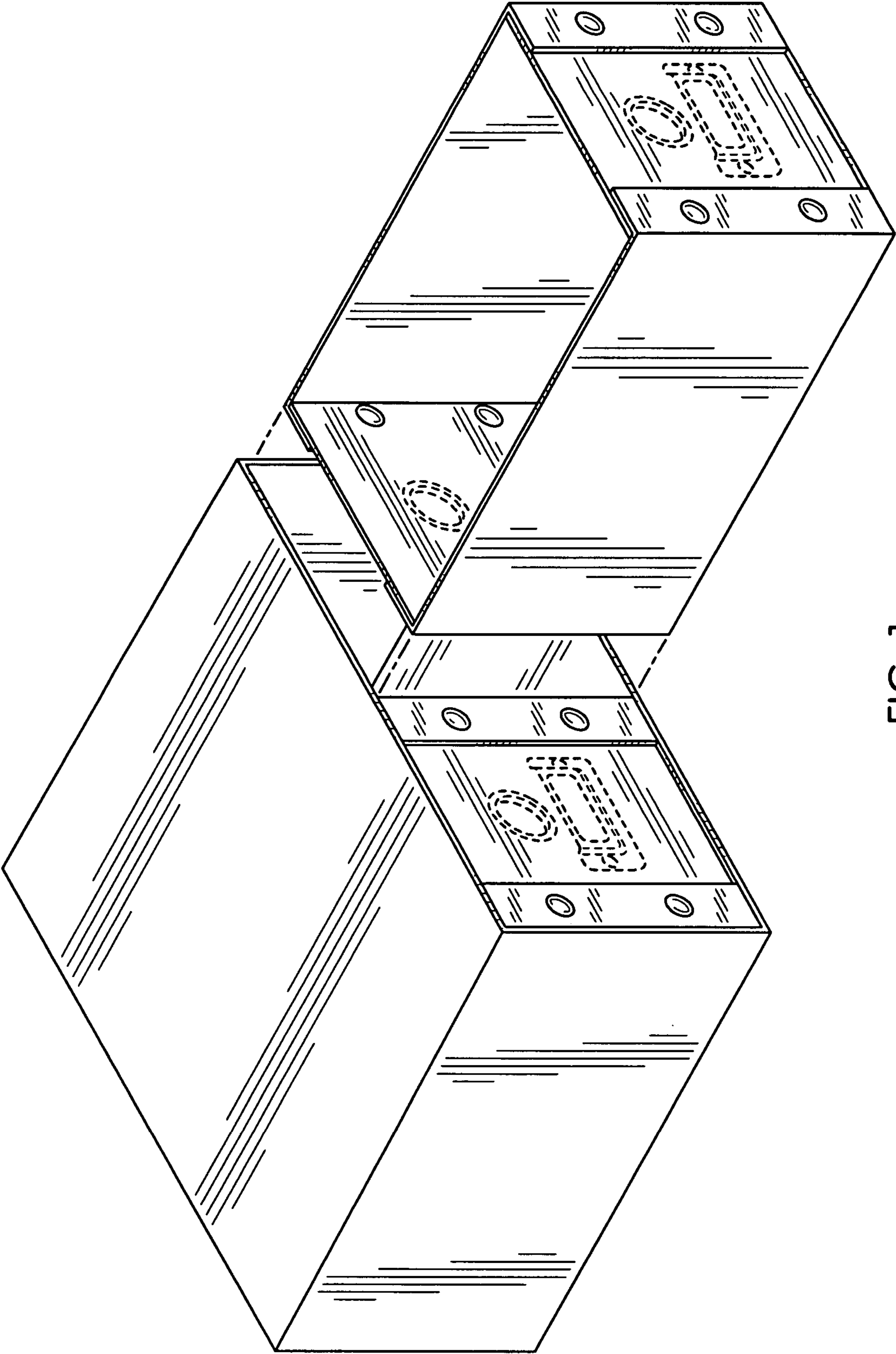


FIG. 1

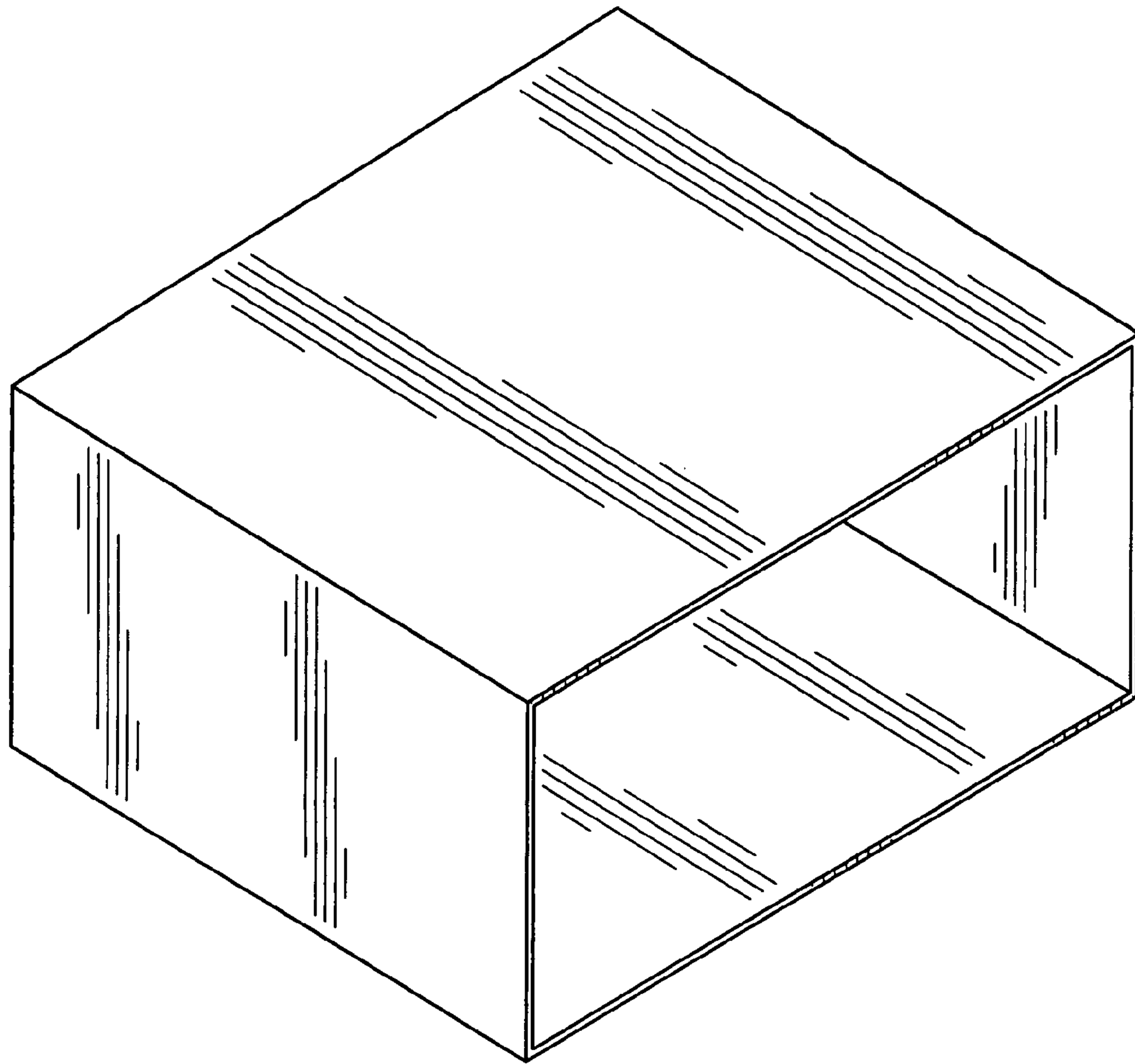


FIG. 2

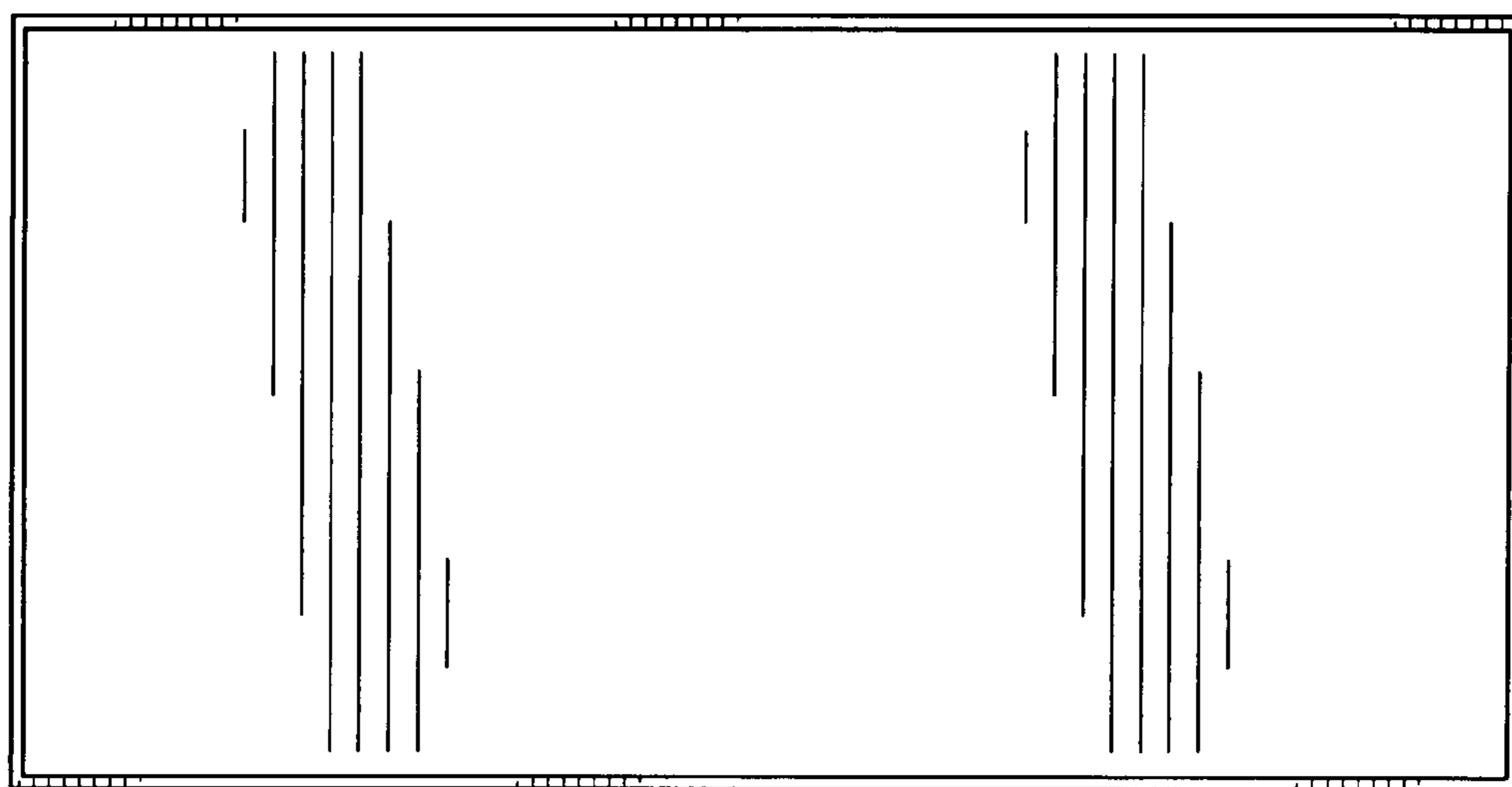


FIG. 3

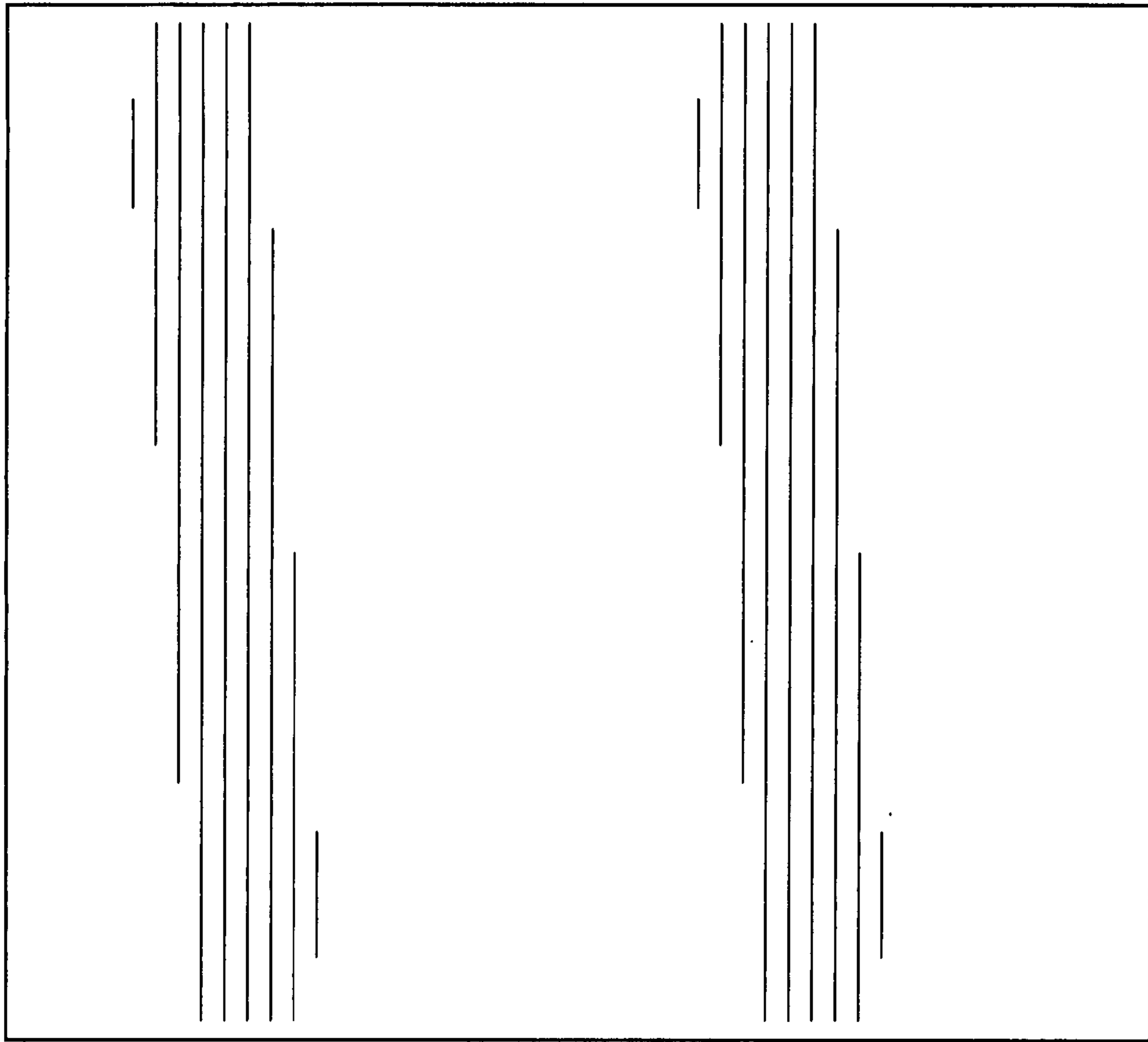


FIG. 4

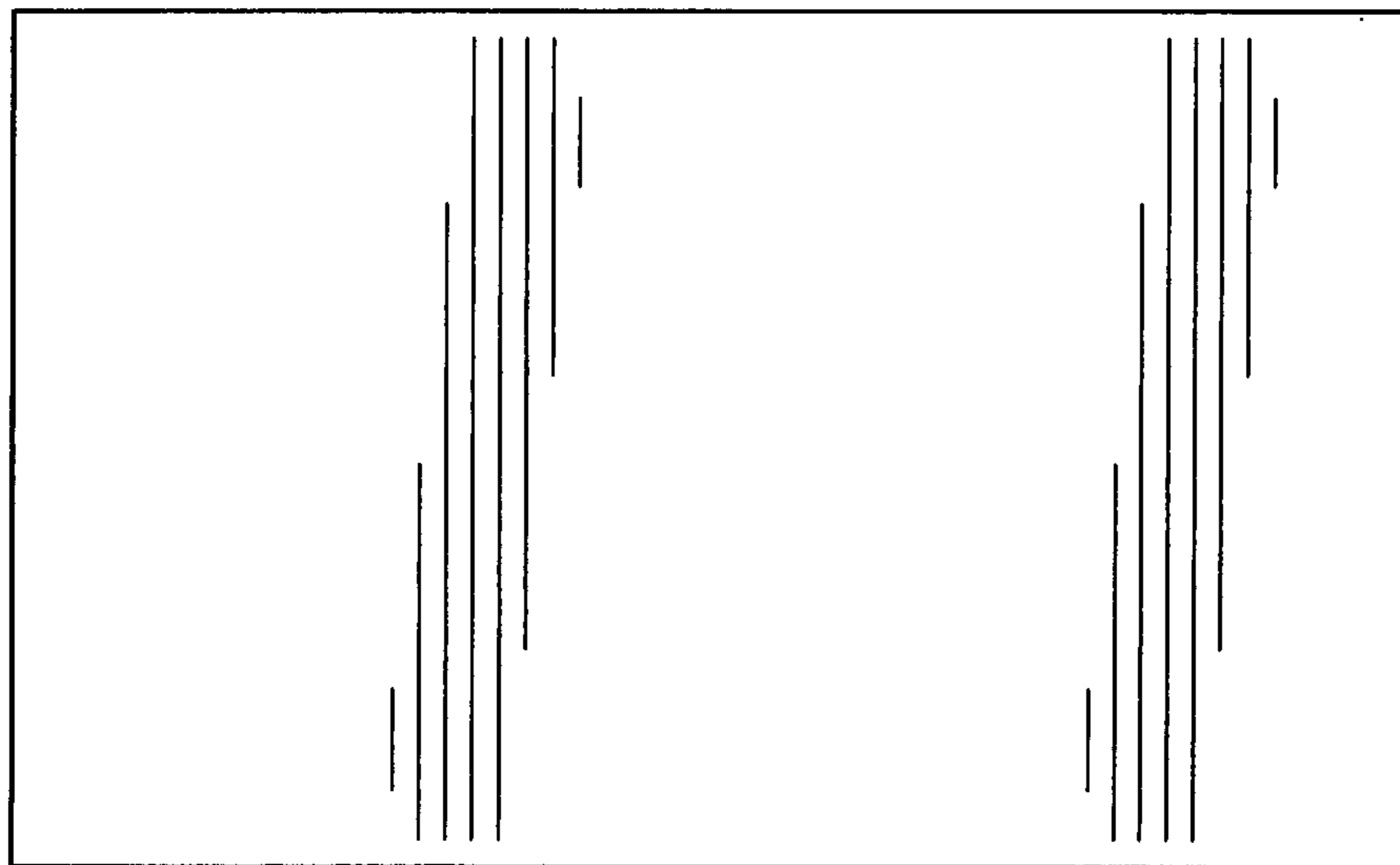


FIG. 5

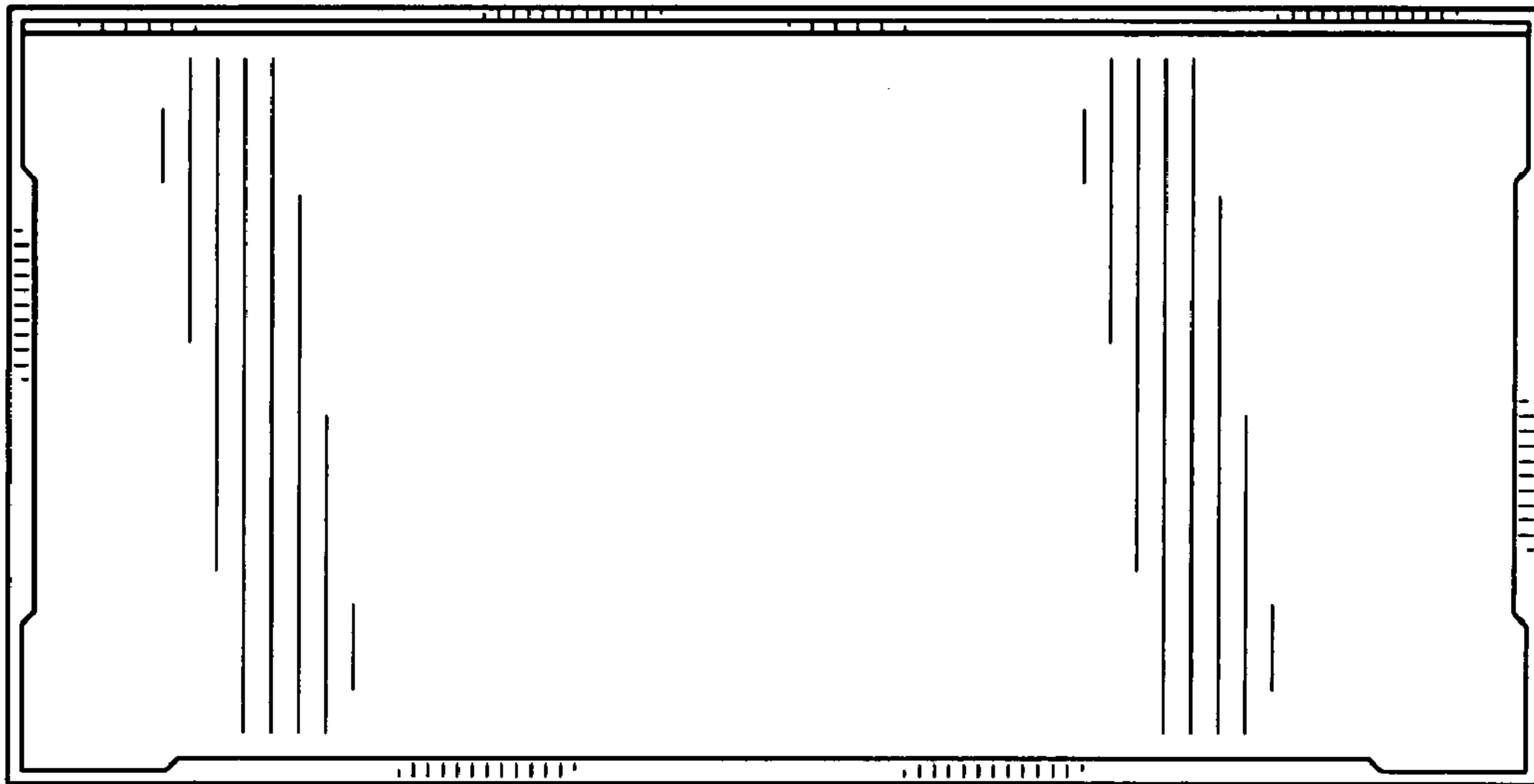


FIG. 6

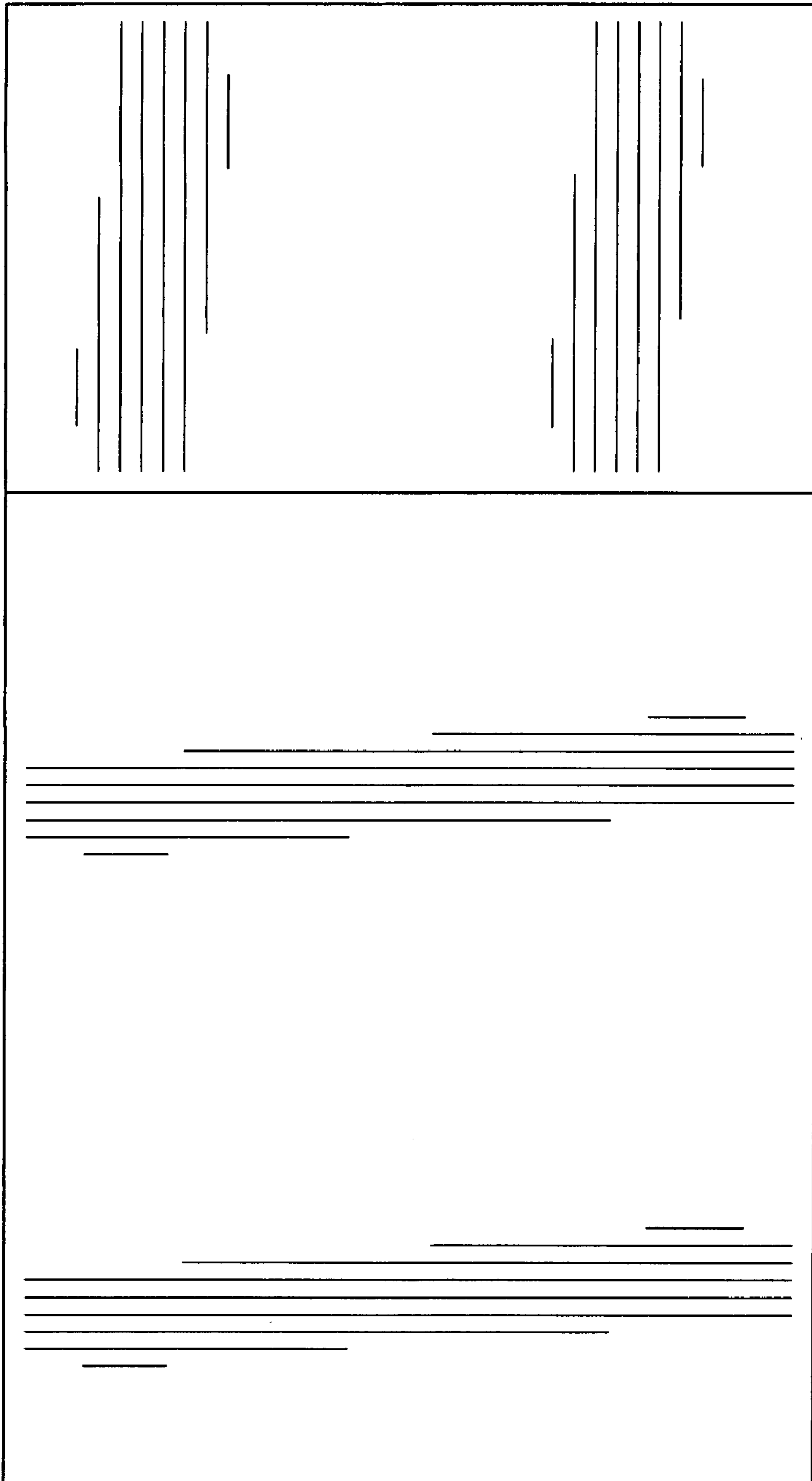


FIG. 7

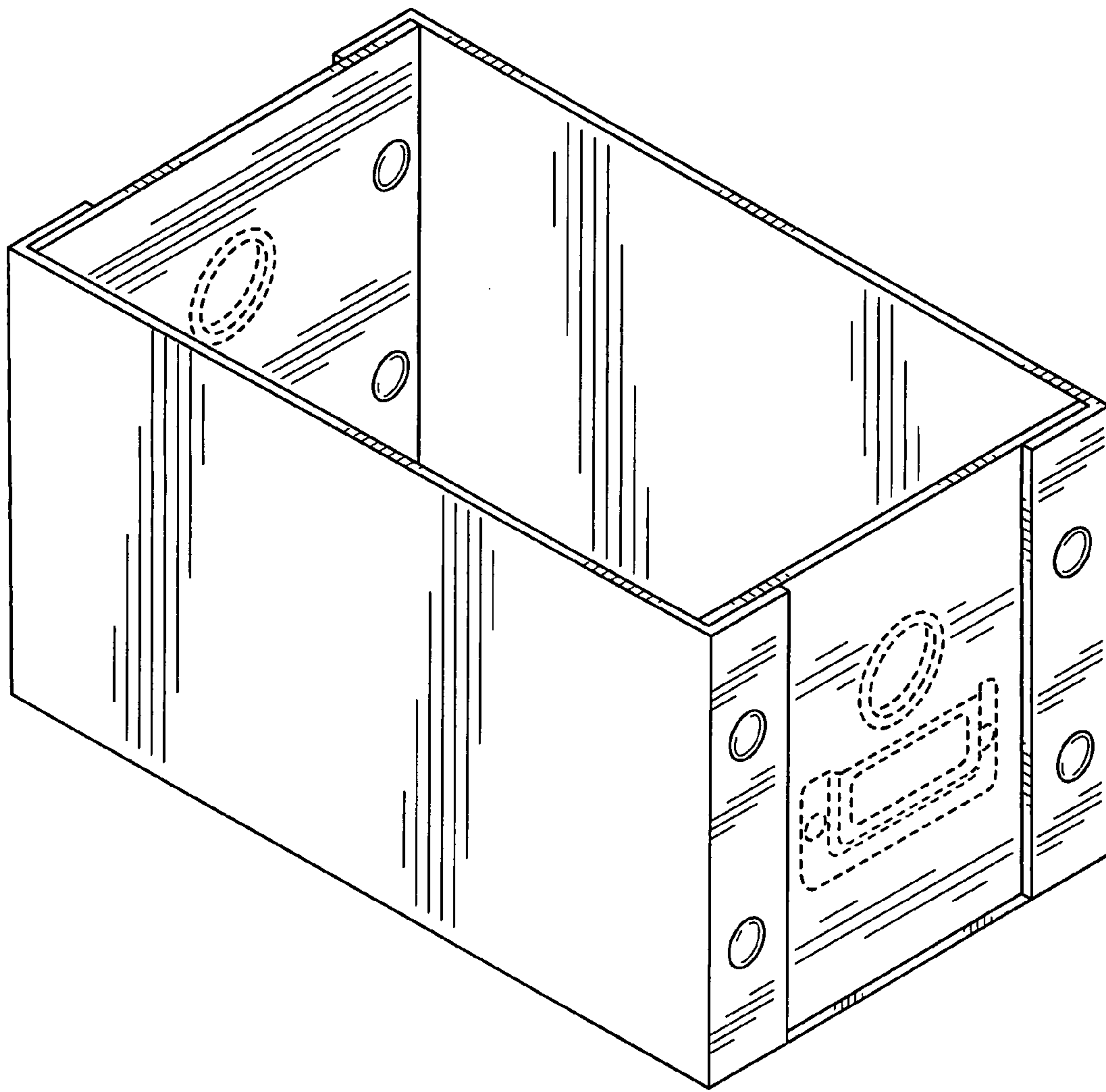


FIG. 8

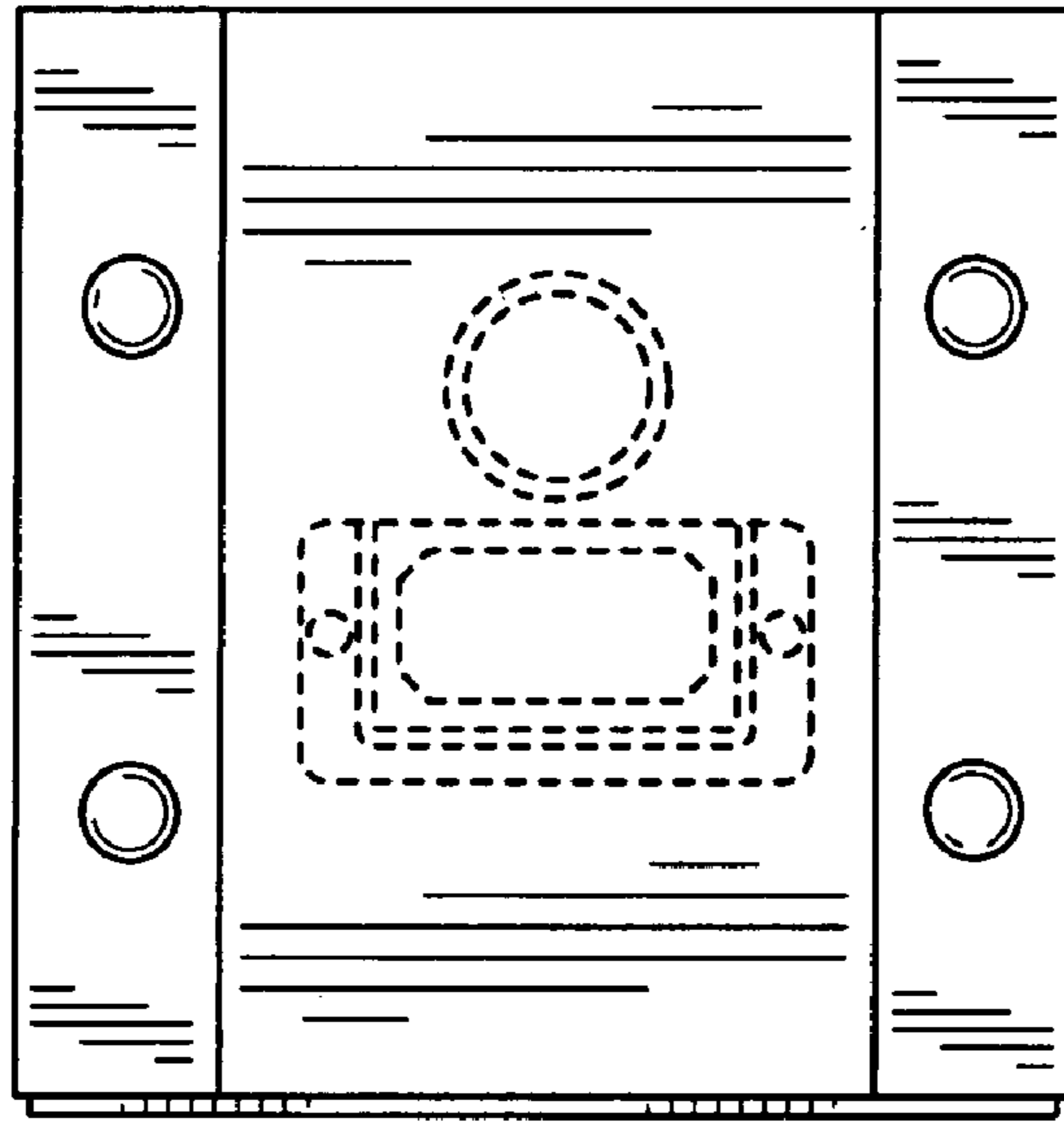


FIG. 9

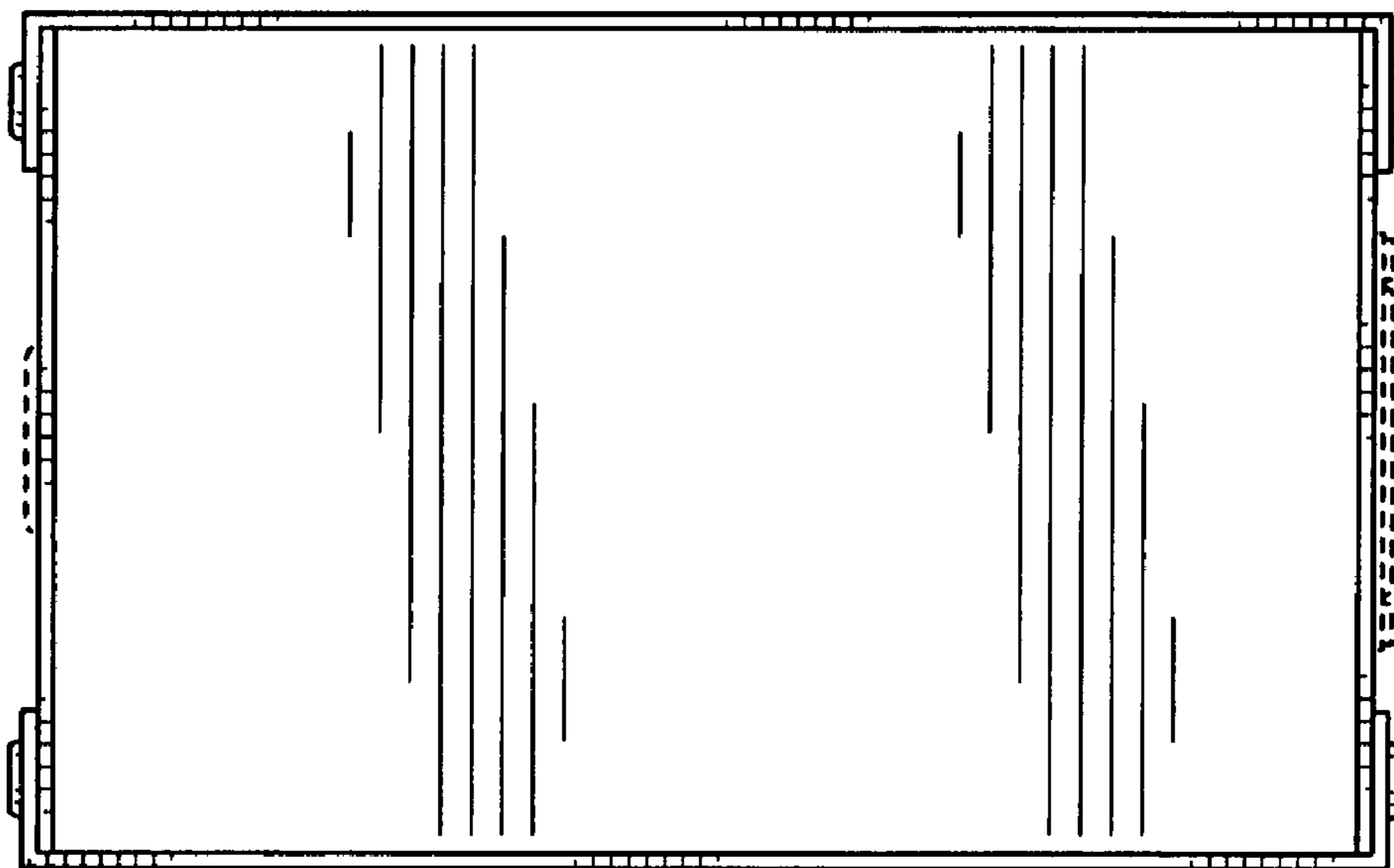


FIG. 10

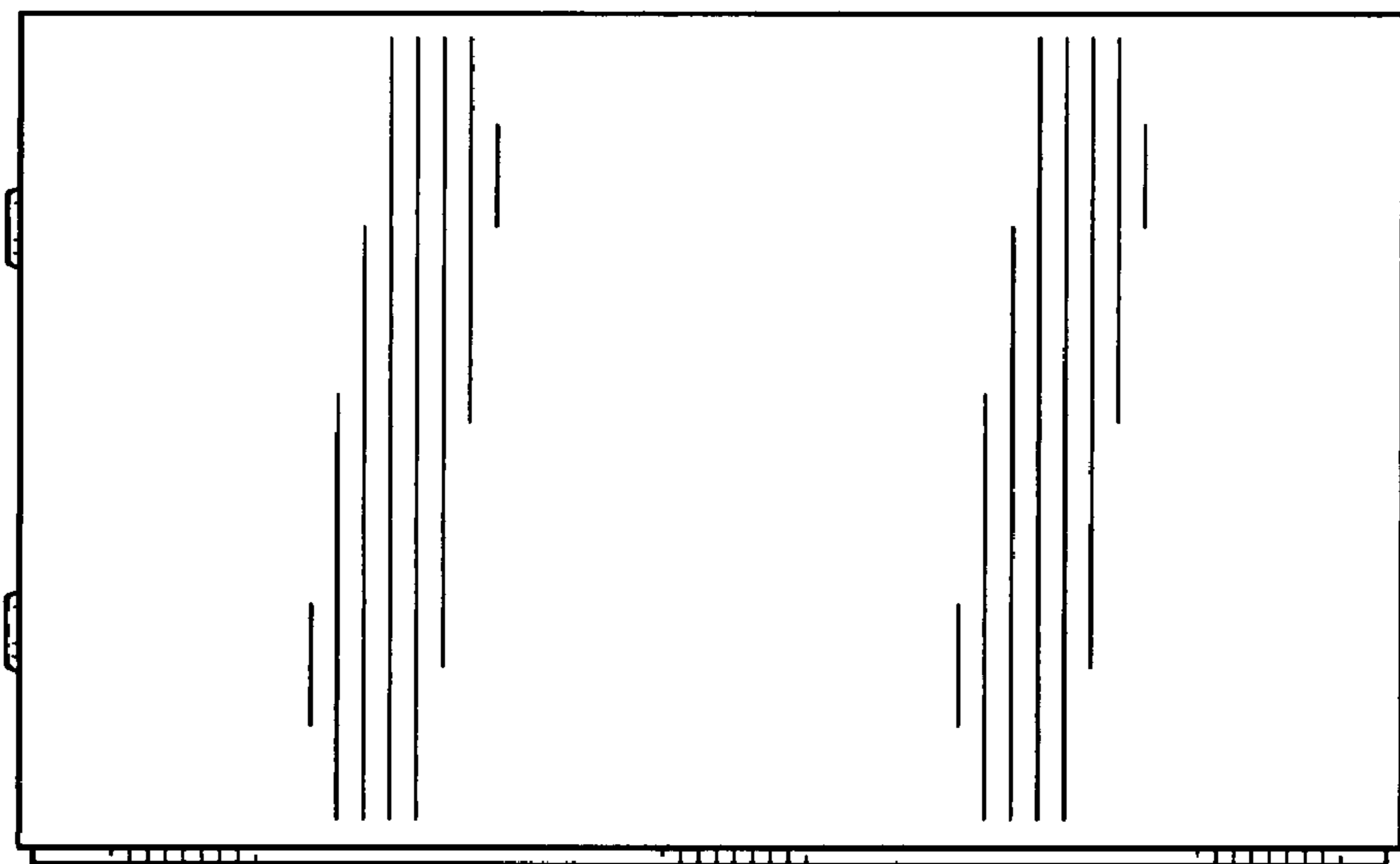


FIG. 11

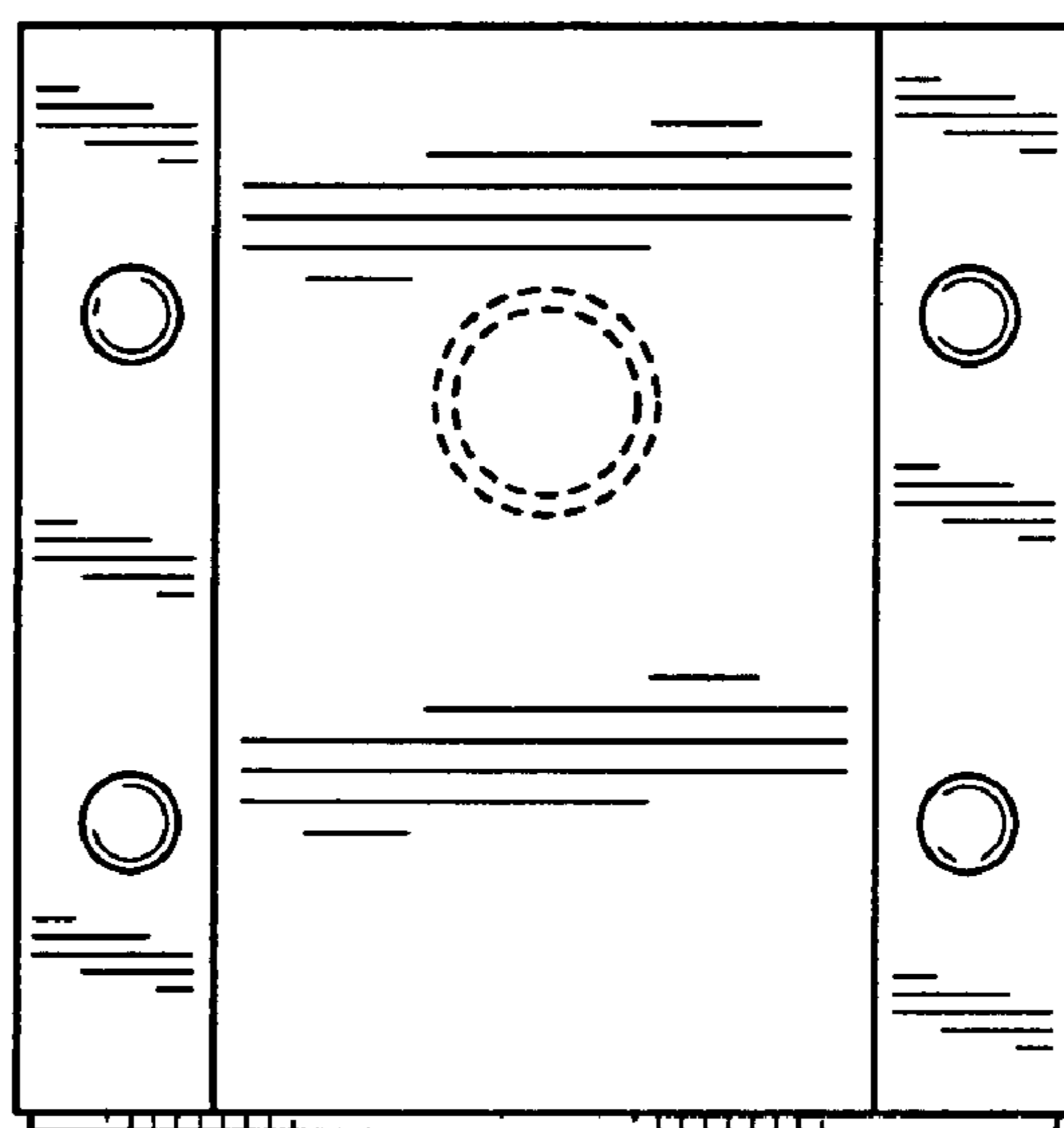


FIG. 12

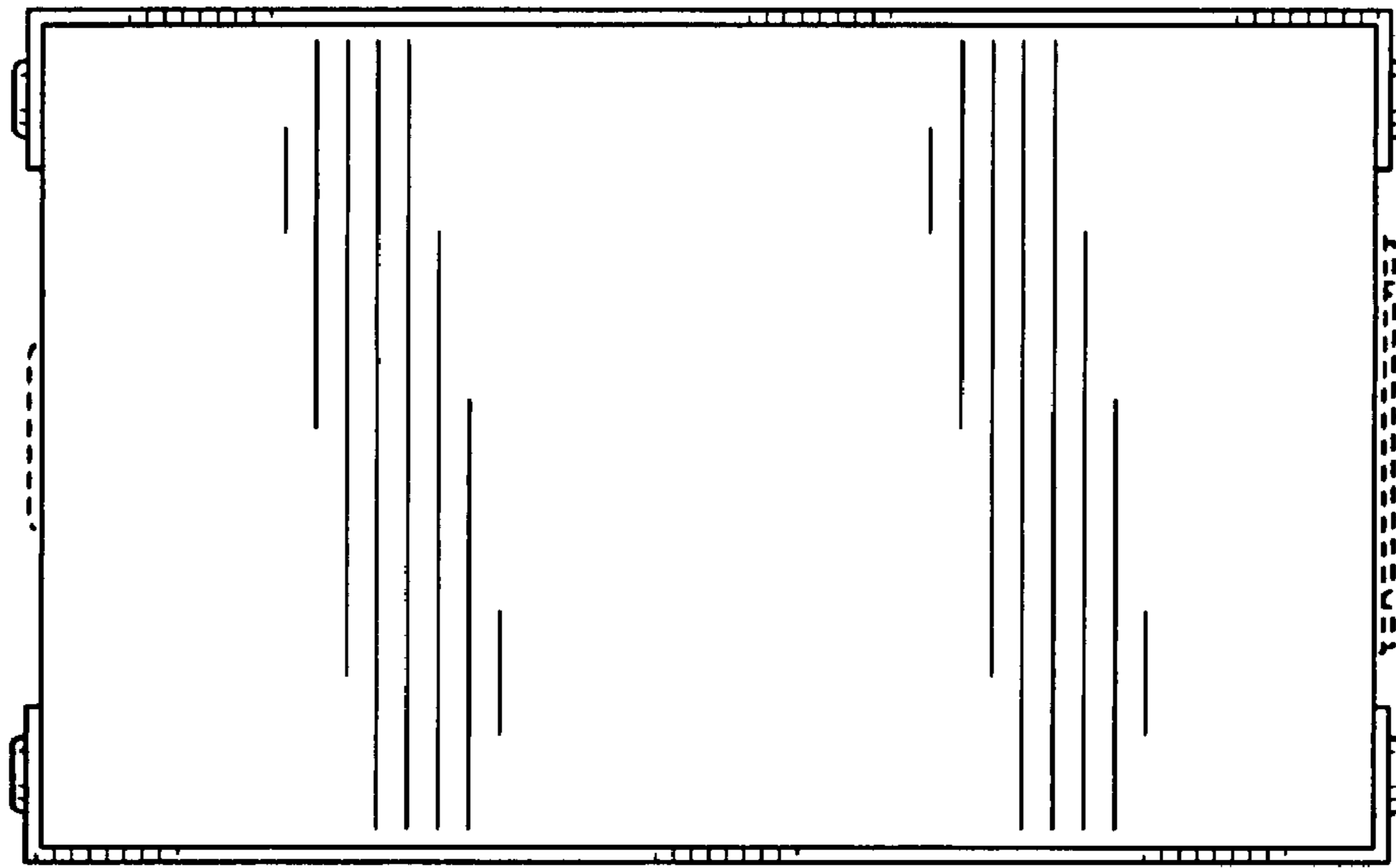


FIG. 13

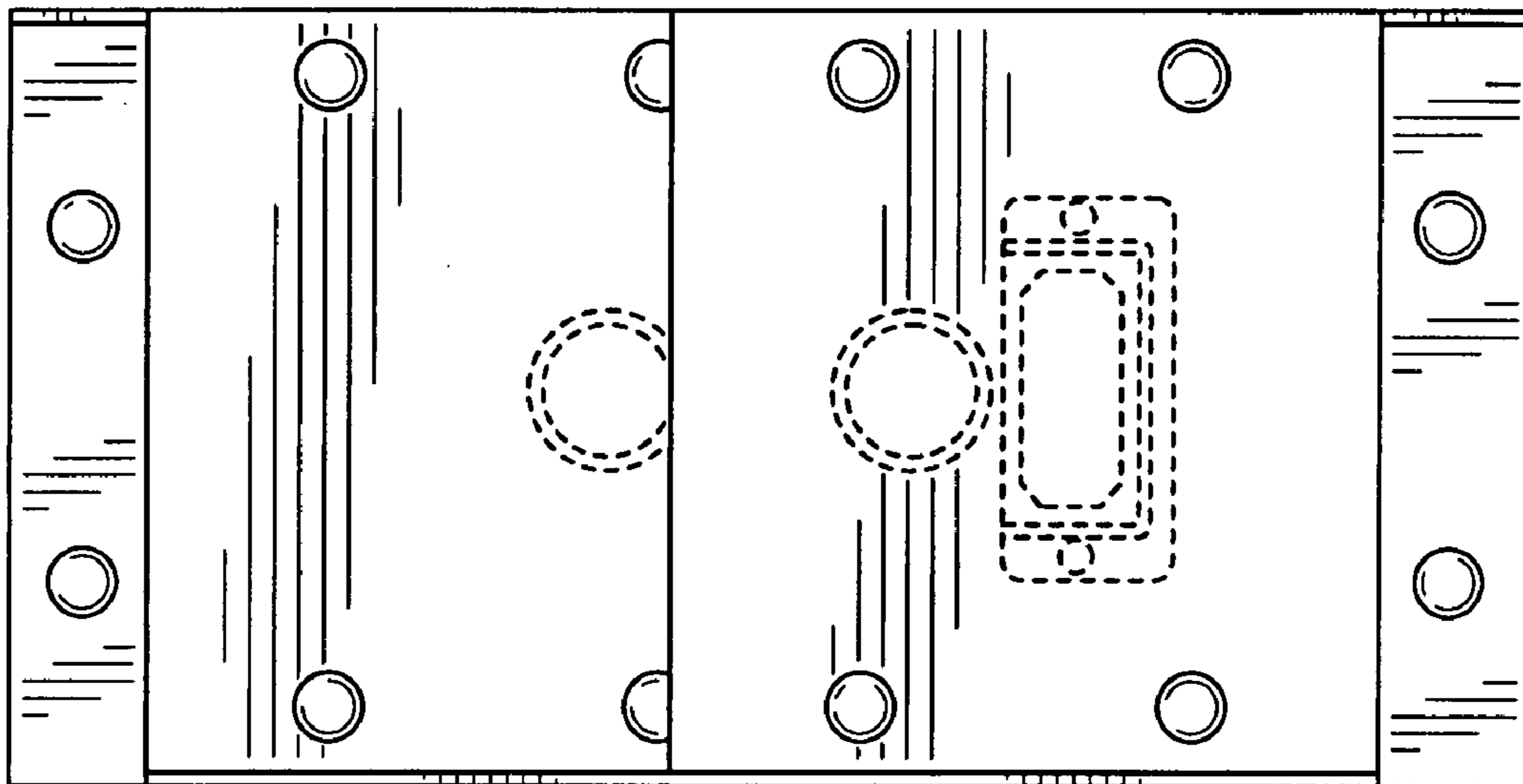


FIG. 14

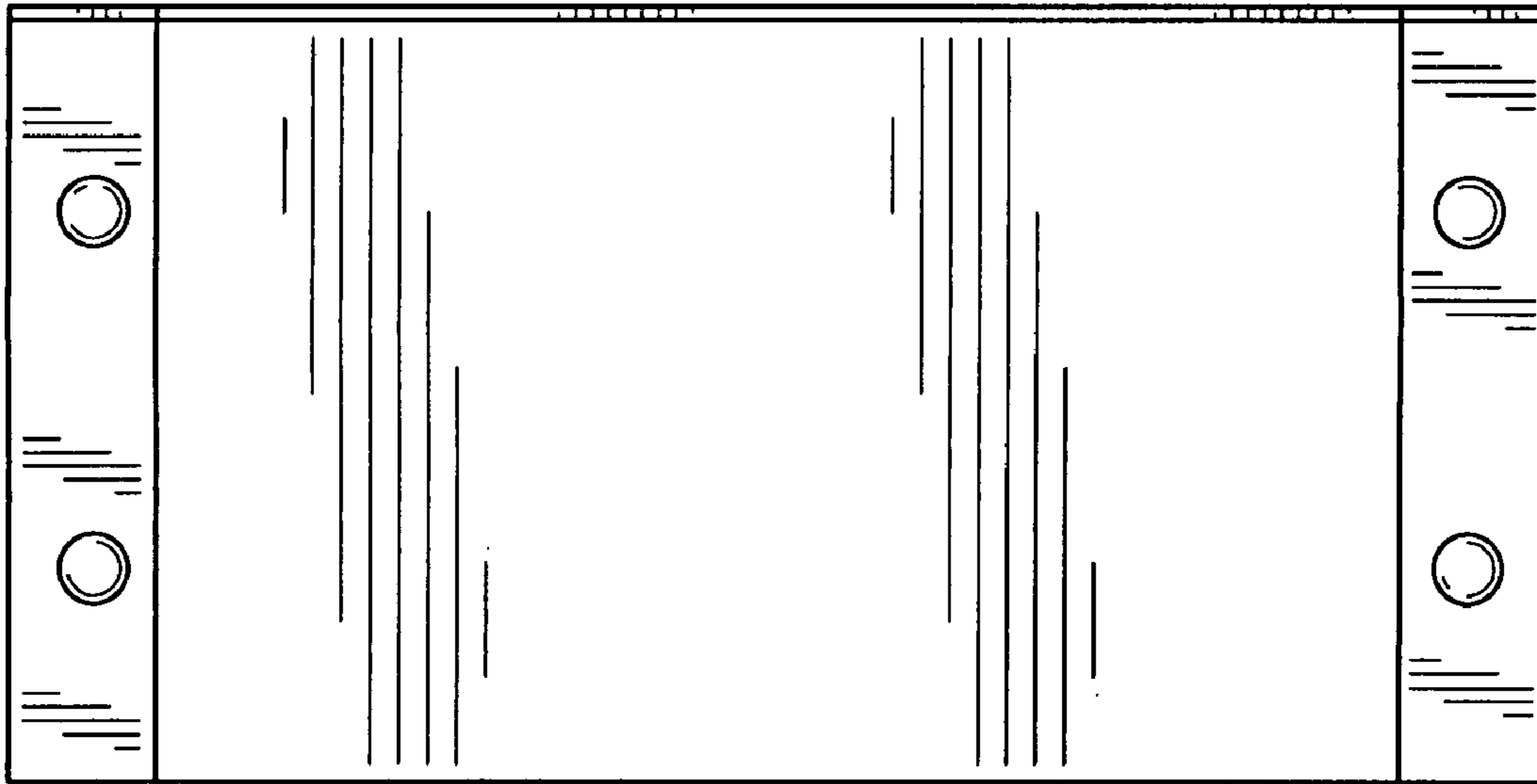


FIG. 15