



US00D545588S

(12) **United States Design Patent** (10) **Patent No.:** **US D545,588 S**  
**Knoettgen-Nap** (45) **Date of Patent:** **\*\* Jul. 3, 2007**

- (54) **RETAIL MERCHANDISING UNIT**
- (75) Inventor: **Erin Knoettgen-Nap**, Farmers Branch, TX (US)
- (73) Assignee: **Exhibitgroup/Giltspur**, Phoenix, AZ (US)
- (\*\*) Term: **14 Years**
- (21) Appl. No.: **29/254,639**
- (22) Filed: **Feb. 24, 2006**

*Primary Examiner*—Cathron C. Brooks  
*(74) Attorney, Agent, or Firm*—Fulbright & Jaworski LLP

(57) **CLAIM**

The ornamental design for a retail merchandising unit, as shown and described.

**DESCRIPTION**

FIG. 1 is a perspective view from the front showing the front and right sides of an embodiment of my design. As shown, an exemplary crown portion atop the unit is shown in broken lines as forming no portion of the claimed ornamental design. Similarly, an interior shelving/cabinetry/drawer system within the unit is shown in broken lines as forming no portion of the claimed ornamental design. As also shown in broken lines, a shield portion may be included in the interior shelving system. Such shield portion is illustrated as 3 sides of a rectangle, and is arranged on an interior shelf adjacent the right side of the retail merchandising unit. This shield portion may be transparent (e.g., glass) or opaque. In certain embodiments, a cash register and/or other POS equipment (and/or merchandise) (not claimed) may be arranged on the interior shelf that has the shield. As shown, the right side of the retail merchandising unit is open (e.g., does not have glass or other material enclosing it). Thus, the shelf adjacent the retail merchandising unit's right side (and thus the cash register or other equipment disposed thereon) is accessible by a user (e.g., vendor) standing outside the retail merchandising unit. As further shown, a drawer and cabinetry may be included facing the right side of the retail merchandising unit, which are likewise accessible to the user.

FIG. 1 shows, in broken lines, exemplary exterior shelving that extend from the body of the retail merchandising unit. For instance, two exterior shelves are shown, in broken lines, arranged with one shelf above the other, extending from the retail merchandising unit's front side in FIG. 1.

FIG. 2 is an elevation view from the front showing the front side of the embodiment of my design. As can be seen from this view, two exterior shelves are also shown, in broken lines, arranged with one shelf above the other, extending from the retail merchandising unit's left side.

**Related U.S. Application Data**

- (63) Continuation-in-part of application No. 29/243,515, filed on Nov. 23, 2005.

- (51) **LOC (8) Cl.** ..... **06-04**
- (52) **U.S. Cl.** ..... **D6/436**
- (58) **Field of Classification Search** ..... D6/436,  
D6/442, 445, 446, 470–472, 477–479, 383,  
D6/505; 312/7.2, 114, 117, 118; 108/92;  
211/135; D25/16

See application file for complete search history.

(56) **References Cited**

**U.S. PATENT DOCUMENTS**

4,453,327	A	6/1984	Clarke	
D373,913	S *	9/1996	Wyatt et al.	D6/465
D379,664	S *	6/1997	Horton	D25/16
D381,434	S *	7/1997	Greenlee	D25/16
D382,886	S *	8/1997	Fleysvik	D15/79
5,718,398	A	2/1998	Ross, Jr.	
D403,179	S *	12/1998	Horton	D6/474
D407,921	S *	4/1999	Horton	D6/474
D427,808	S *	7/2000	Bedard	D6/470
D443,069	S *	5/2001	Horton	D25/16
D463,035	S *	9/2002	Knoettgen	D25/16
D463,572	S *	9/2002	Knoettgen	D25/16
6,497,075	B1	12/2002	Schreiner et al.	
6,951,291	B2	10/2005	Kleanthis	

\* cited by examiner

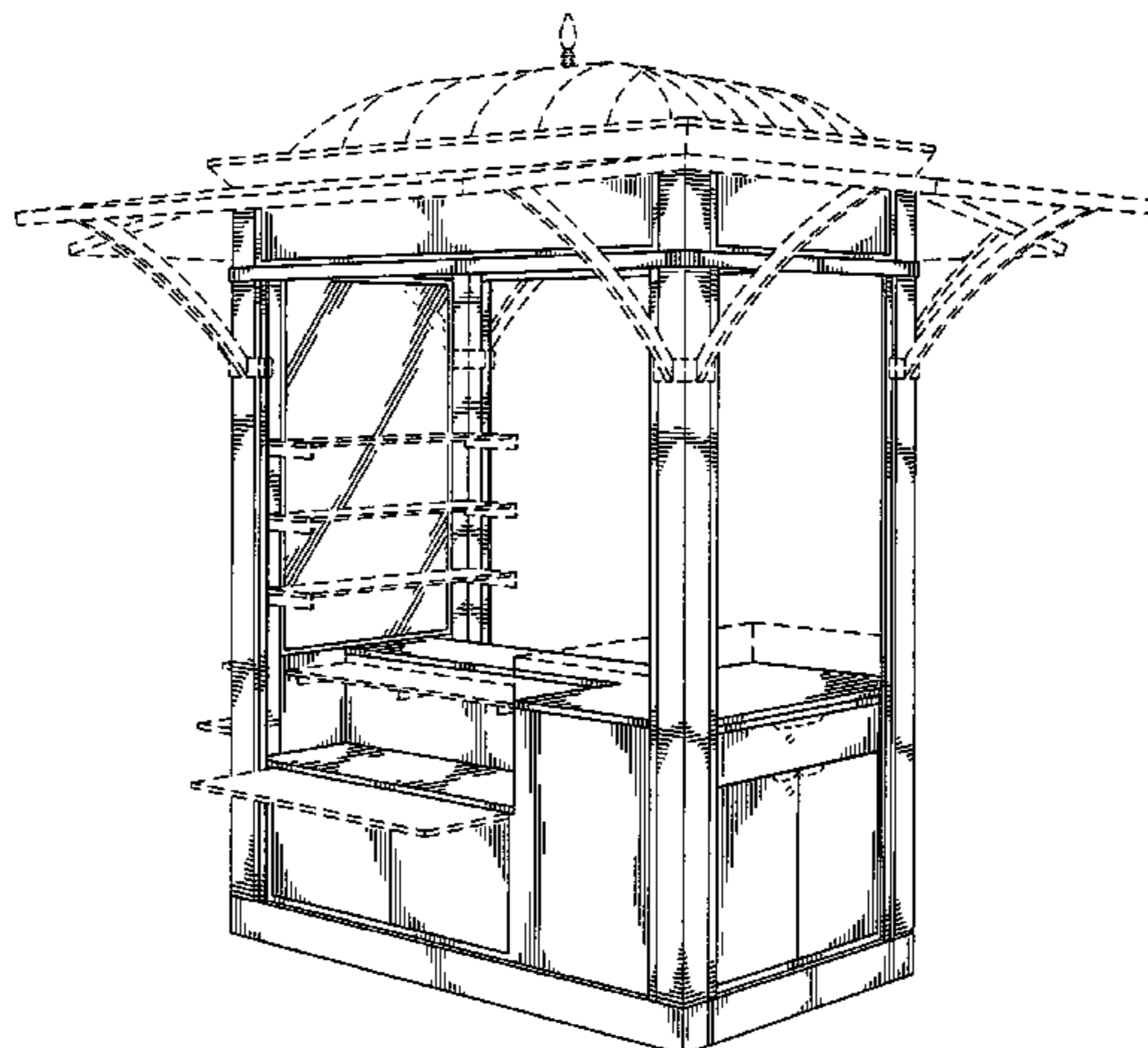


FIG. 3 is an elevation view from the right side showing the right side of the embodiment of my design. As can be seen from this view, an exterior shelf is shown, in broken lines, extending from the retail merchandising unit's back side, and an exterior shelf is shown, in broken lines, extending from the retail merchandising unit's front side. As can be seen, the view from the right side comprises two columns between which an open area is available for accessing drawers, cabinetry, and the top of the shelf adjacent the right side (or any items, such as a cash register, that may be arranged on such shelf).

FIG. 4 is an elevation view from the left side showing the left side of the embodiment of my design. A solid, transparent portion (e.g., glass) is provided between the columns of the left side, thereby permitting items within the retail merchandising unit to be viewed while restricting access thereto.

FIG. 5 is an elevation view from the back showing the back side of the embodiment of my design.

FIG. 6 is a plan view from the top showing the top side of the embodiment of my design, the interior portion of which is shown in broken lines as forming no portion of the claimed ornamental design; and,

FIG. 7 is a plan view from the bottom showing the bottom side of the embodiment of my design, wherein the bottom portion is shown in broken lines as the view from the bottom forms no portion of the claimed ornamental design.

It should be understood that the labels used herein for describing orientation (e.g., front, back, top, bottom, right, and left) are merely for reference, and the embodiments of my design may be disposed in any manner and still be within the scope of the present invention.

FIGS. 1-7 show an embodiment of my design, wherein various elements are shown in broken lines for environmental purposes only, and form no portion of the claimed ornamental design.

**1 Claim, 7 Drawing Sheets**

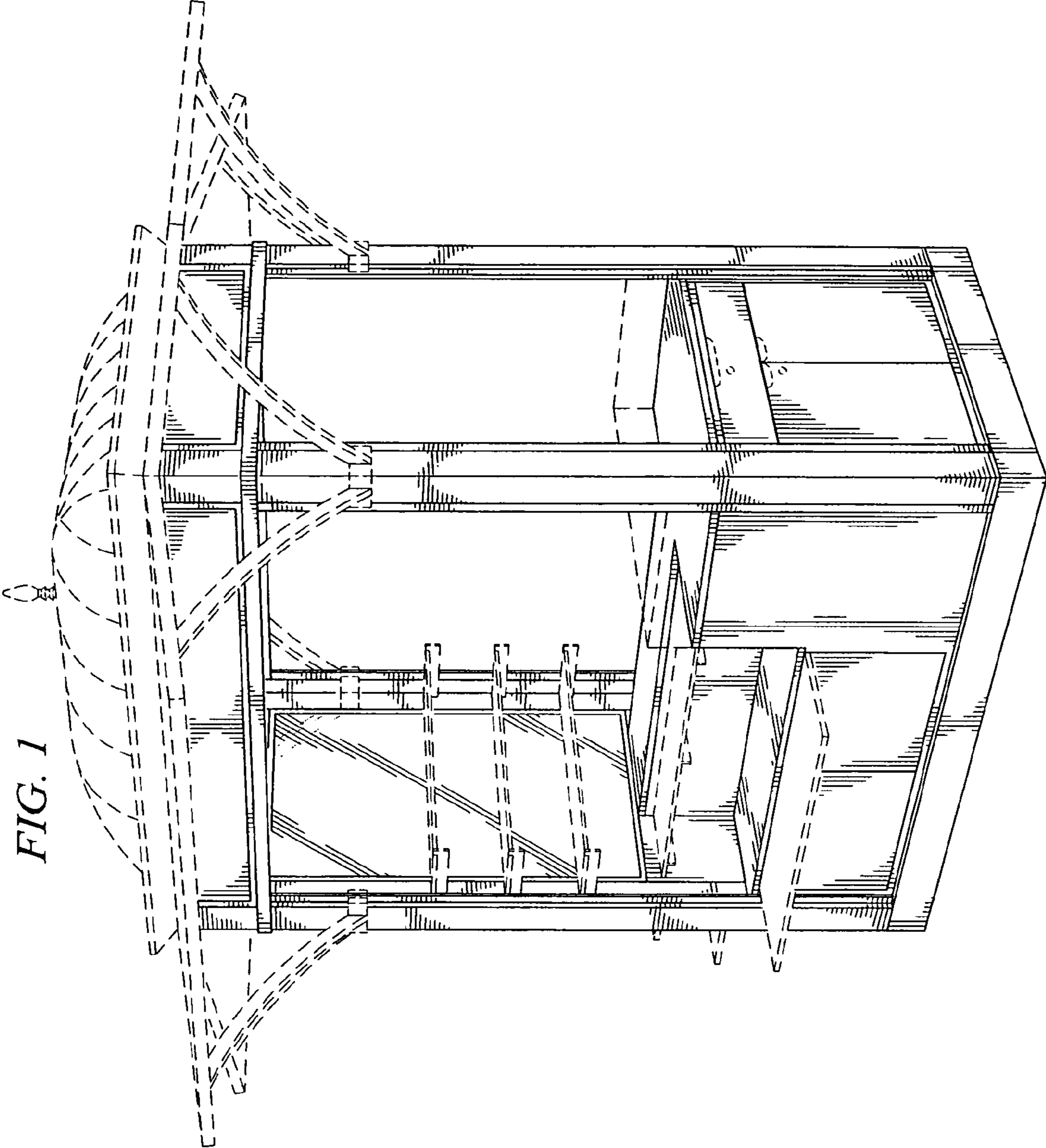


FIG. 1

FIG. 2

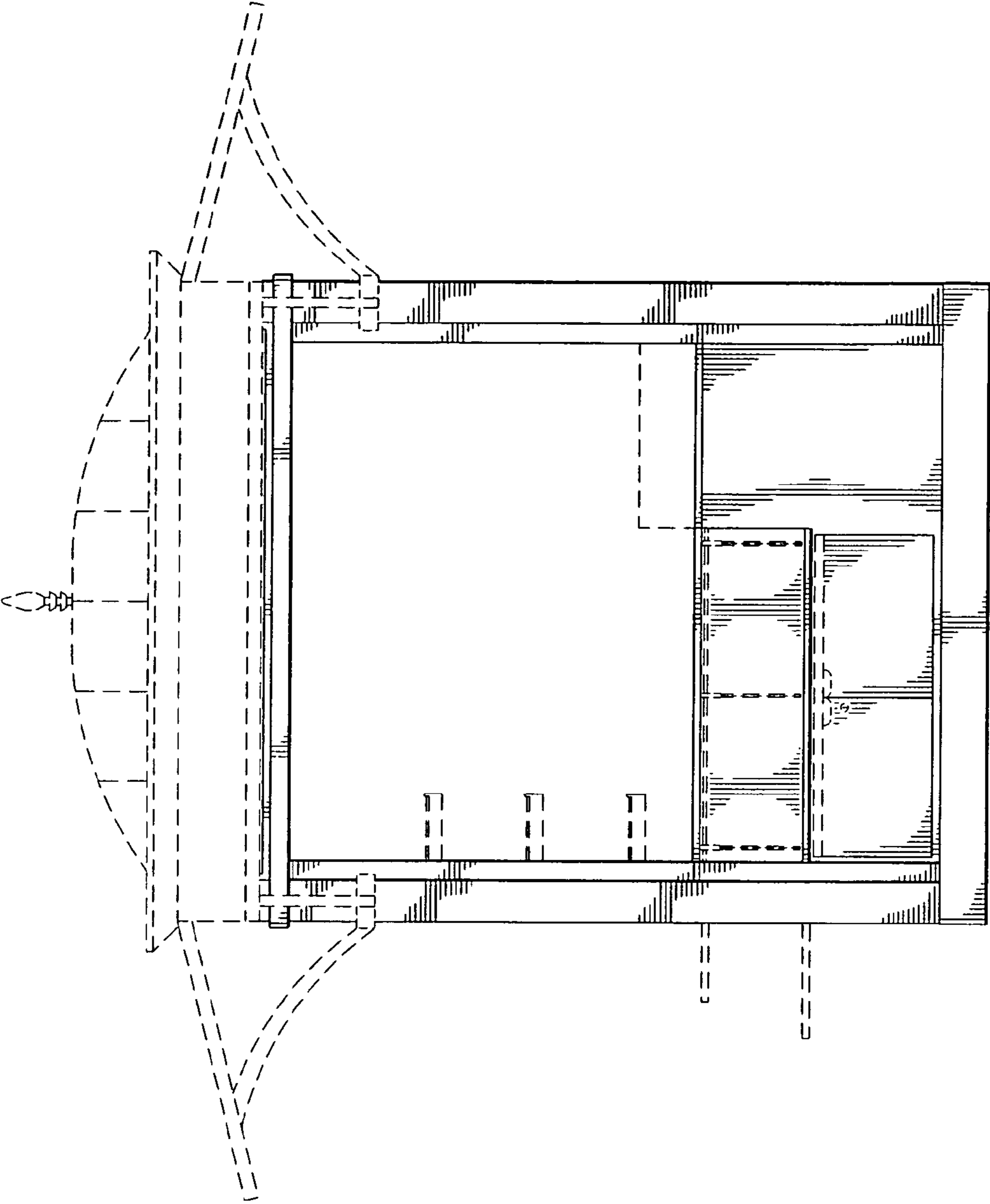
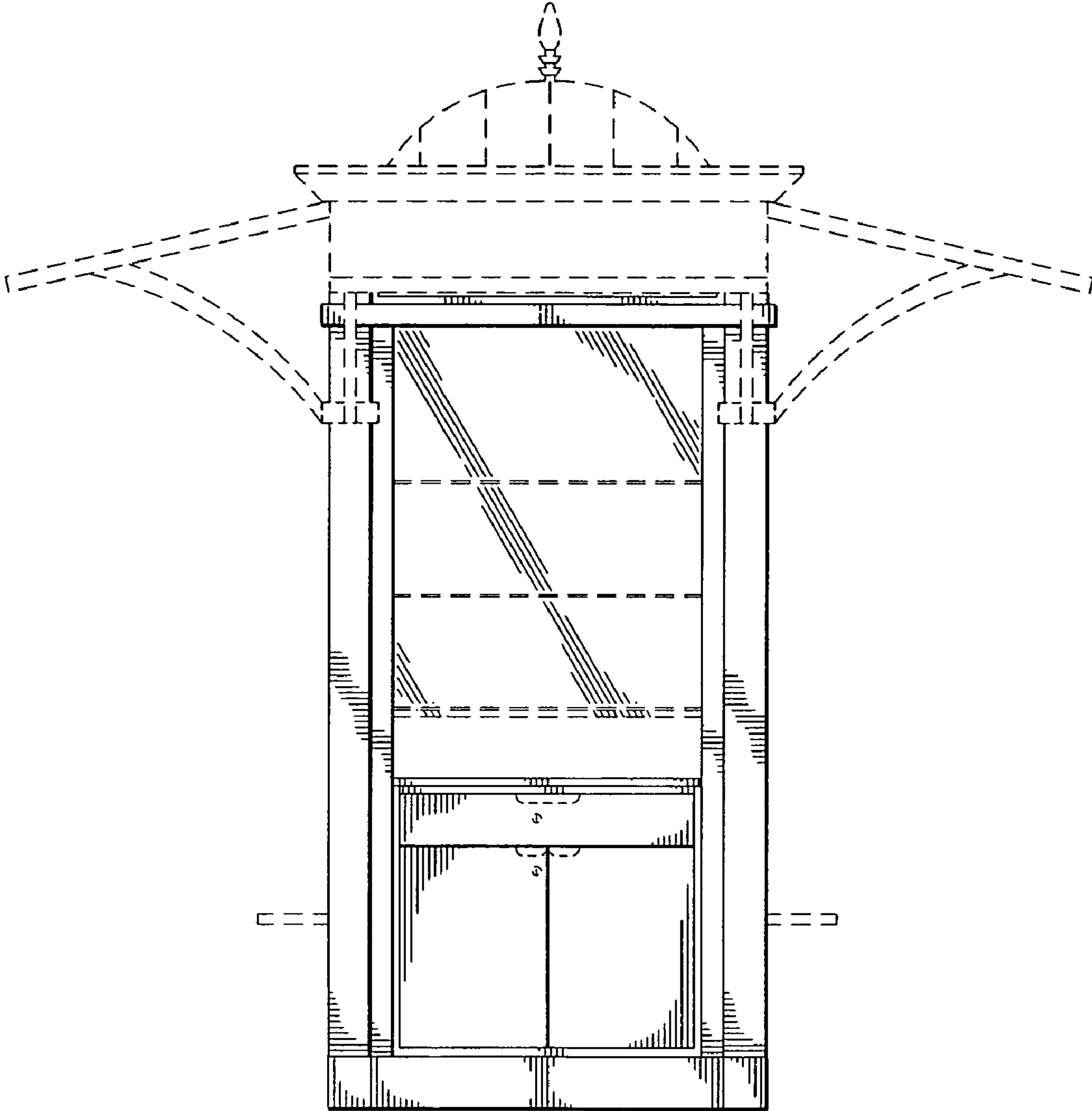


FIG. 3



*FIG. 4*

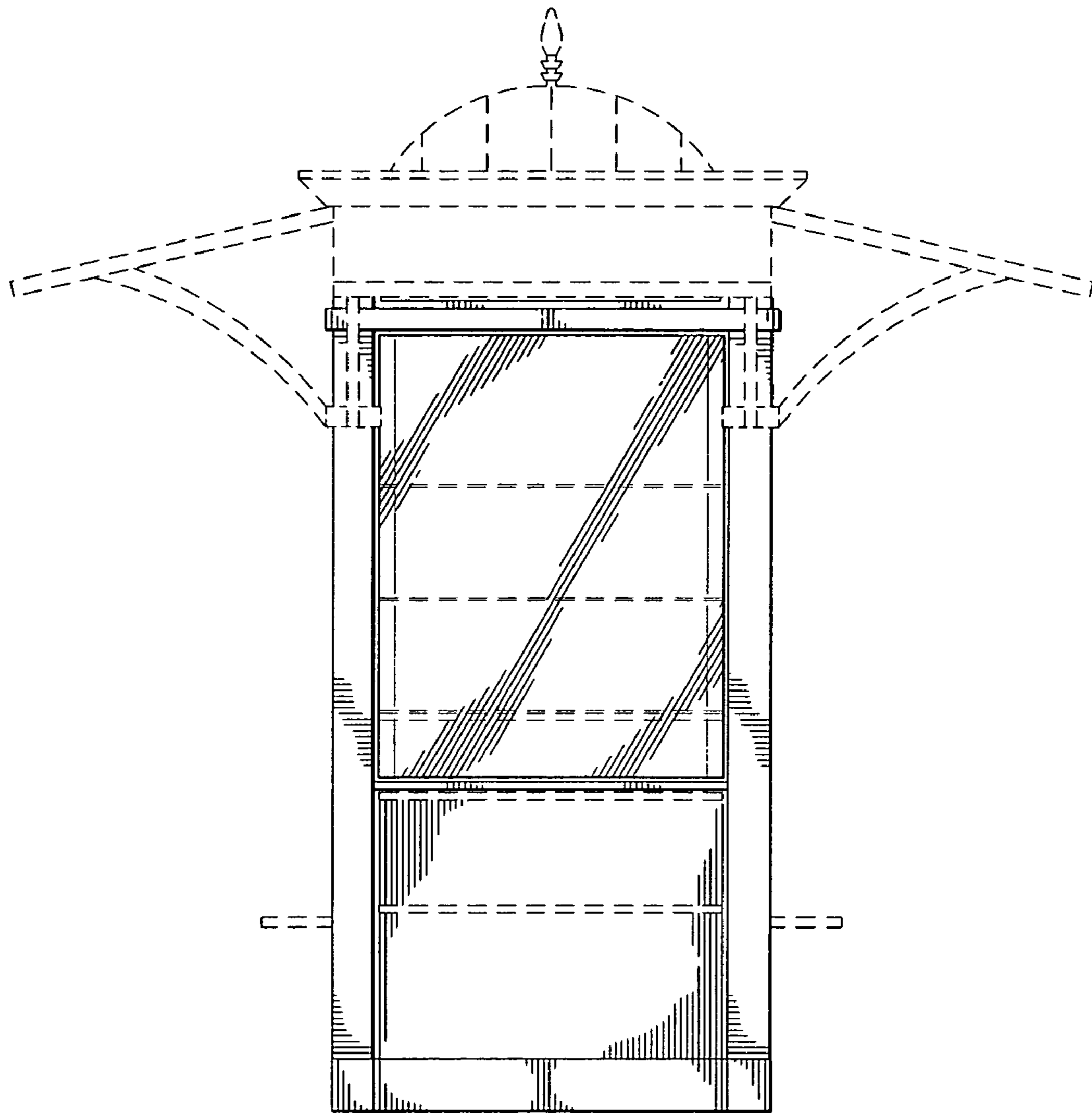
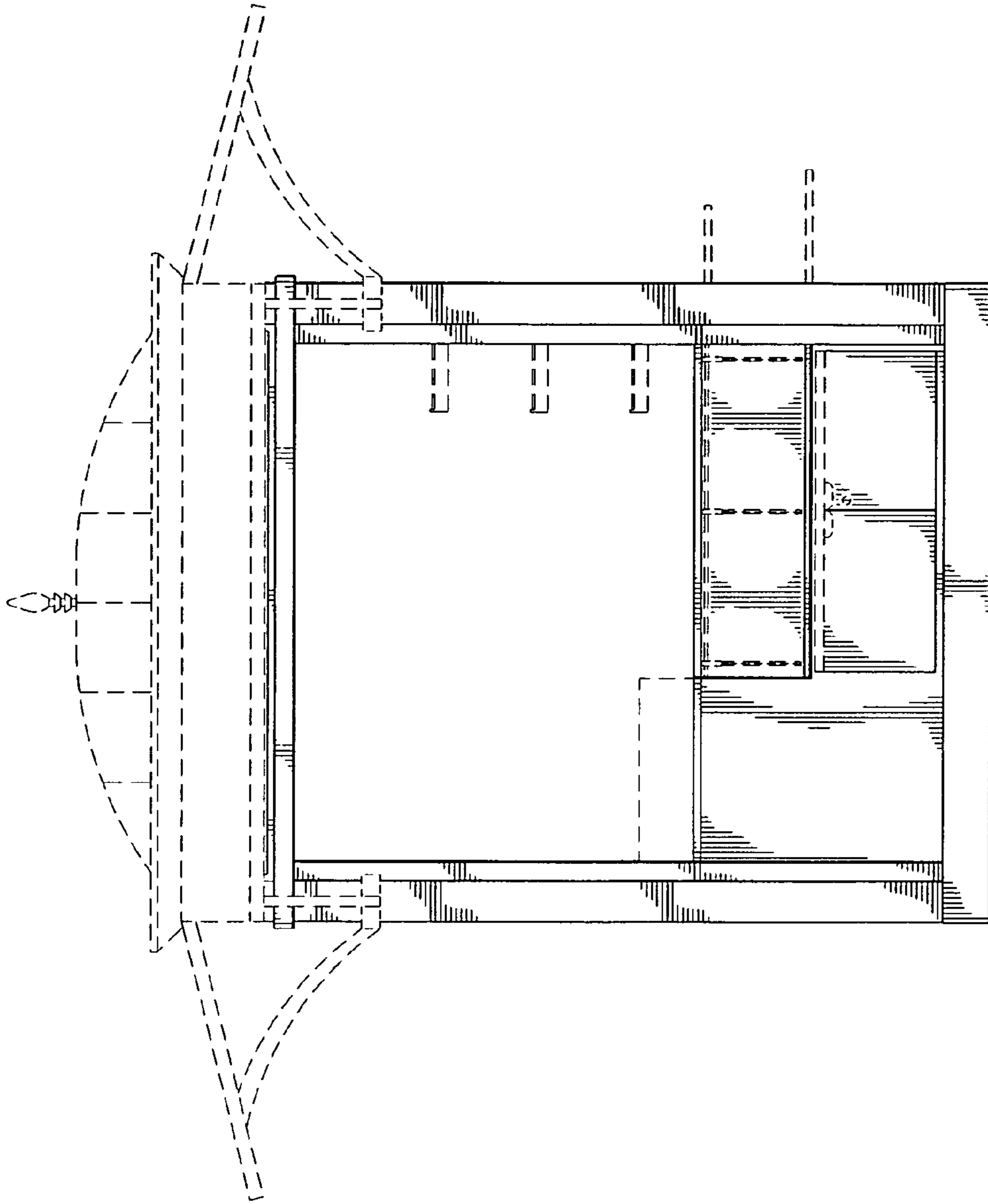


FIG. 5



*FIG. 6*

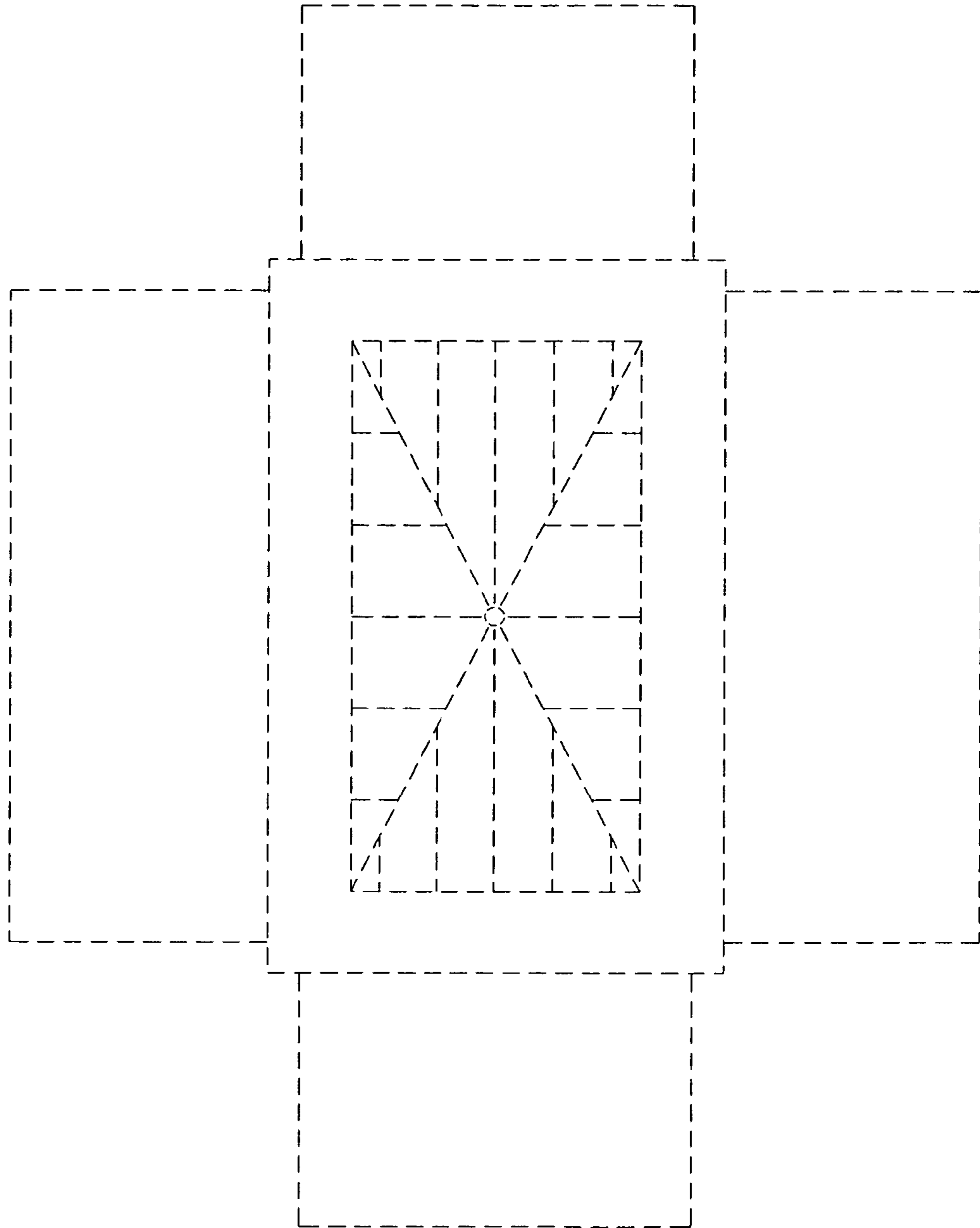




FIG. 7

