



US00D545584S

(12) **United States Design Patent**
Hunziker

(10) **Patent No.:** **US D545,584 S**

(45) **Date of Patent:** **** Jul. 3, 2007**

(54) **CHAIR**

(75) **Inventor:** **Terrence J. Hunziker**, Seattle, WA
(US)

(73) **Assignee:** **David Sutherland, Inc.**, Dallas, TX
(US)

(**) **Term:** **14 Years**

(21) **Appl. No.:** **29/241,023**

(22) **Filed:** **Oct. 21, 2005**

(51) **LOC (8) Cl.** **06-01**

(52) **U.S. Cl.** **D6/370**

(58) **Field of Classification Search** D6/334-336,
D6/361, 367, 368, 369, 370, 373, 374, 375,
D6/379, 380, 381, 500-502; 297/232, 440.1,
297/445.1, 446.1, 452.63

See application file for complete search history.

(56) **References Cited**

U.S. PATENT DOCUMENTS

D137,587 S *	4/1944	Harasty	D6/370
D203,109 S	12/1965	Bareck		
D216,115 S	11/1969	Suzuki		
D222,453 S	10/1971	Ziss		
D331,518 S	12/1992	Grosfillex		
D366,774 S	2/1996	Frinier		
D369,922 S	5/1996	Kirn et al.		
D381,827 S	8/1997	Tilley		
D419,323 S	1/2000	Muller		
D425,718 S	5/2000	van Valderen		
D454,439 S	3/2002	Hutton		
D459,904 S	7/2002	Hutton		
D495,156 S *	8/2004	Gower	D6/370

D511,628 S *	11/2005	Cross	D6/370
D511,901 S *	11/2005	Mohundro	D6/370
D513,369 S *	1/2006	Cross	D6/370
D514,336 S *	2/2006	Spector et al.	D6/361
D516,829 S *	3/2006	Mohundro	D6/370
D525,799 S *	8/2006	Lowsky	D6/370

* cited by examiner

Primary Examiner—Mimosa De

(74) *Attorney, Agent, or Firm*—Gardere Wynne Sewell LLP

(57) **CLAIM**

The ornamental design for a chair, as shown and described.

DESCRIPTION

FIG. 1 is a perspective view of a chair in accordance with my invention;

FIG. 2 is a front elevation view of the chair shown in FIG. 1;

FIG. 3 is a rear elevation view of the chair shown in FIG. 1;

FIG. 4 is a right side elevation view of the chair shown in FIG. 1;

FIG. 5 is a left side elevation view of the chair shown in FIG. 1;

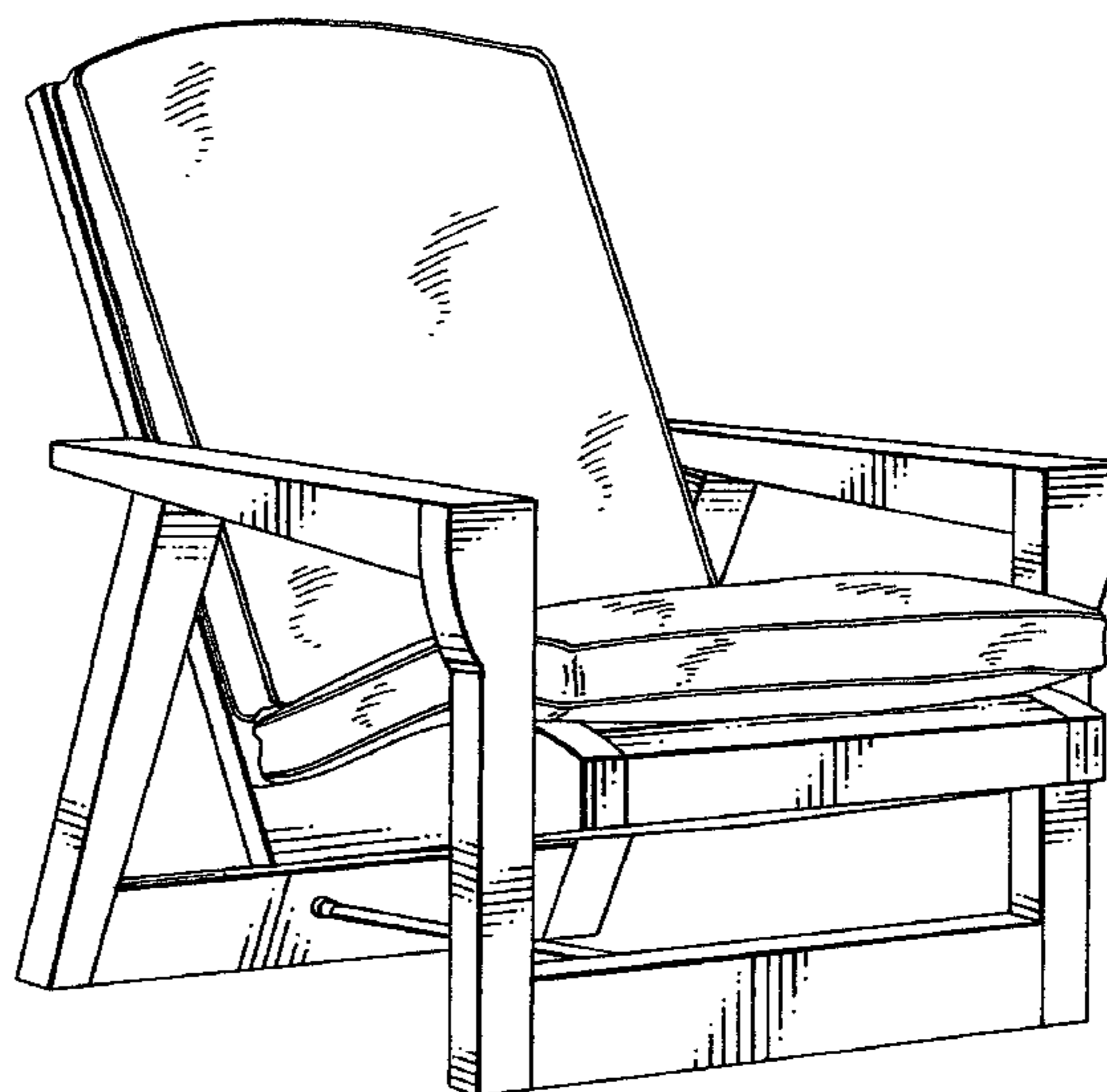
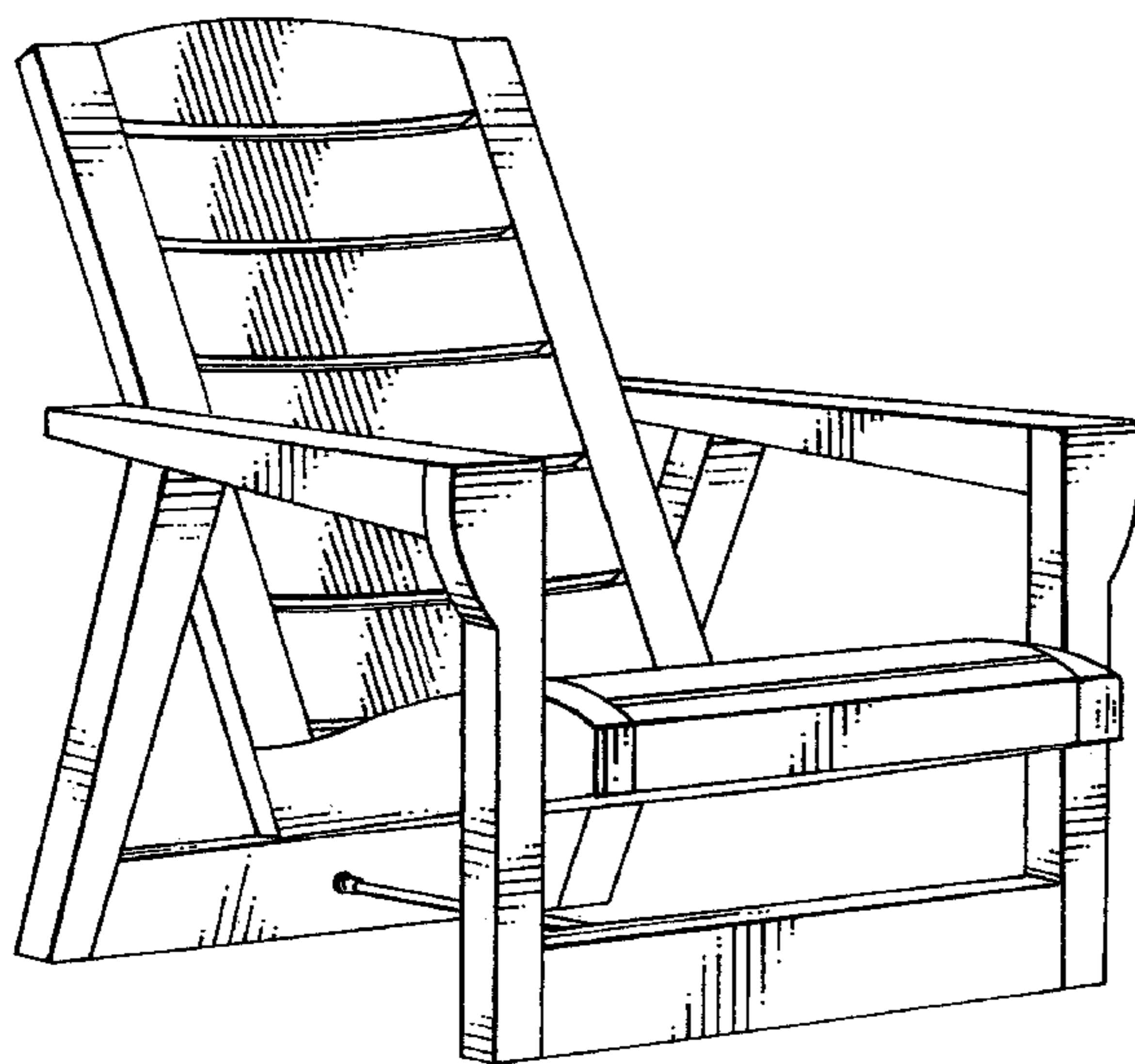
FIG. 6 is a top plan view of the chair shown in FIG. 1;

FIG. 7 is a bottom plan view of the chair shown in FIG. 1; and,

FIG. 8 is a perspective view of the chair shown in FIGS. 1 through 7 with cushions disposed thereon.

FIGS. 1-7 shown without cushion for ease of illustration.

1 Claim, 8 Drawing Sheets



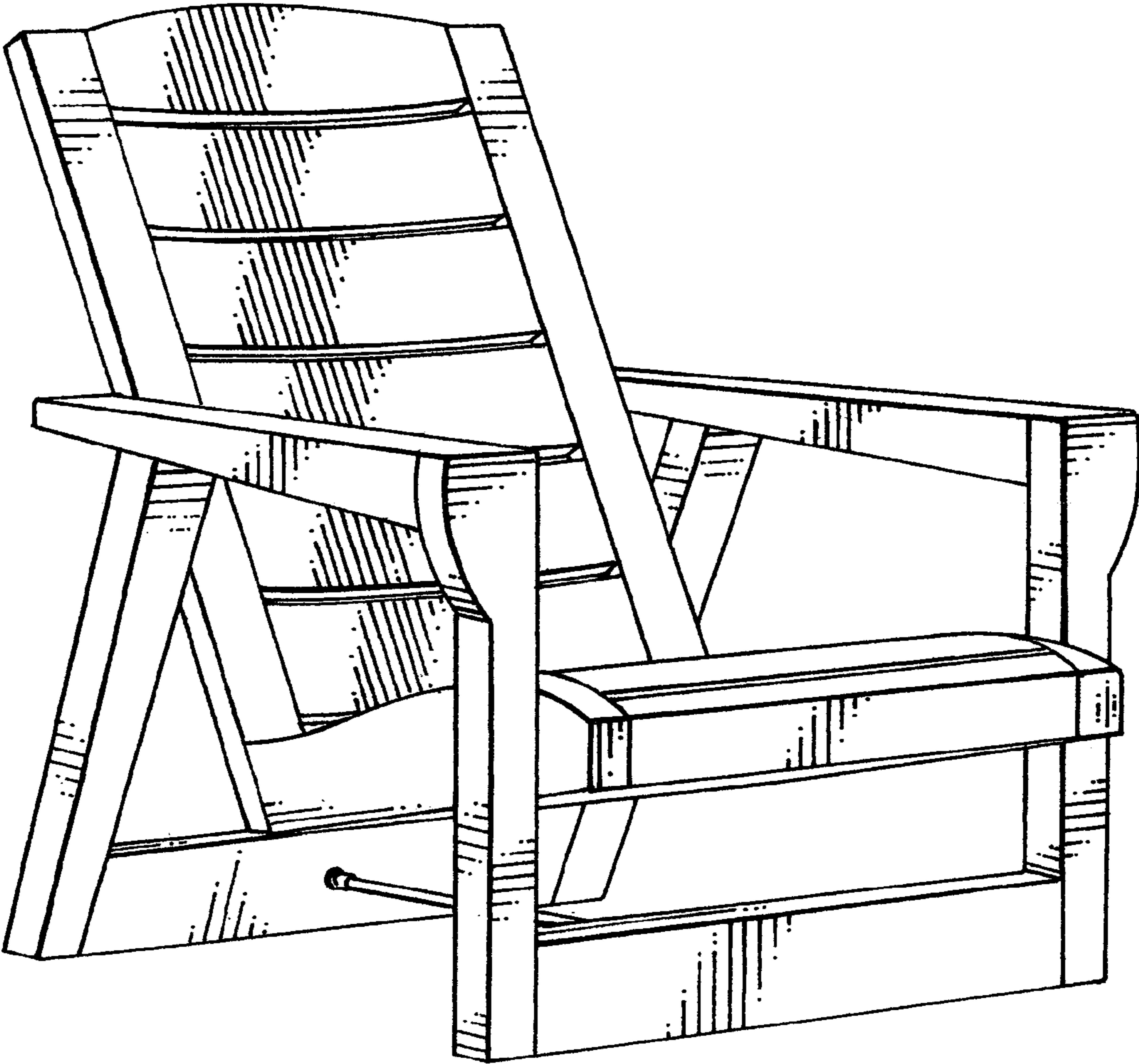


FIG. 1

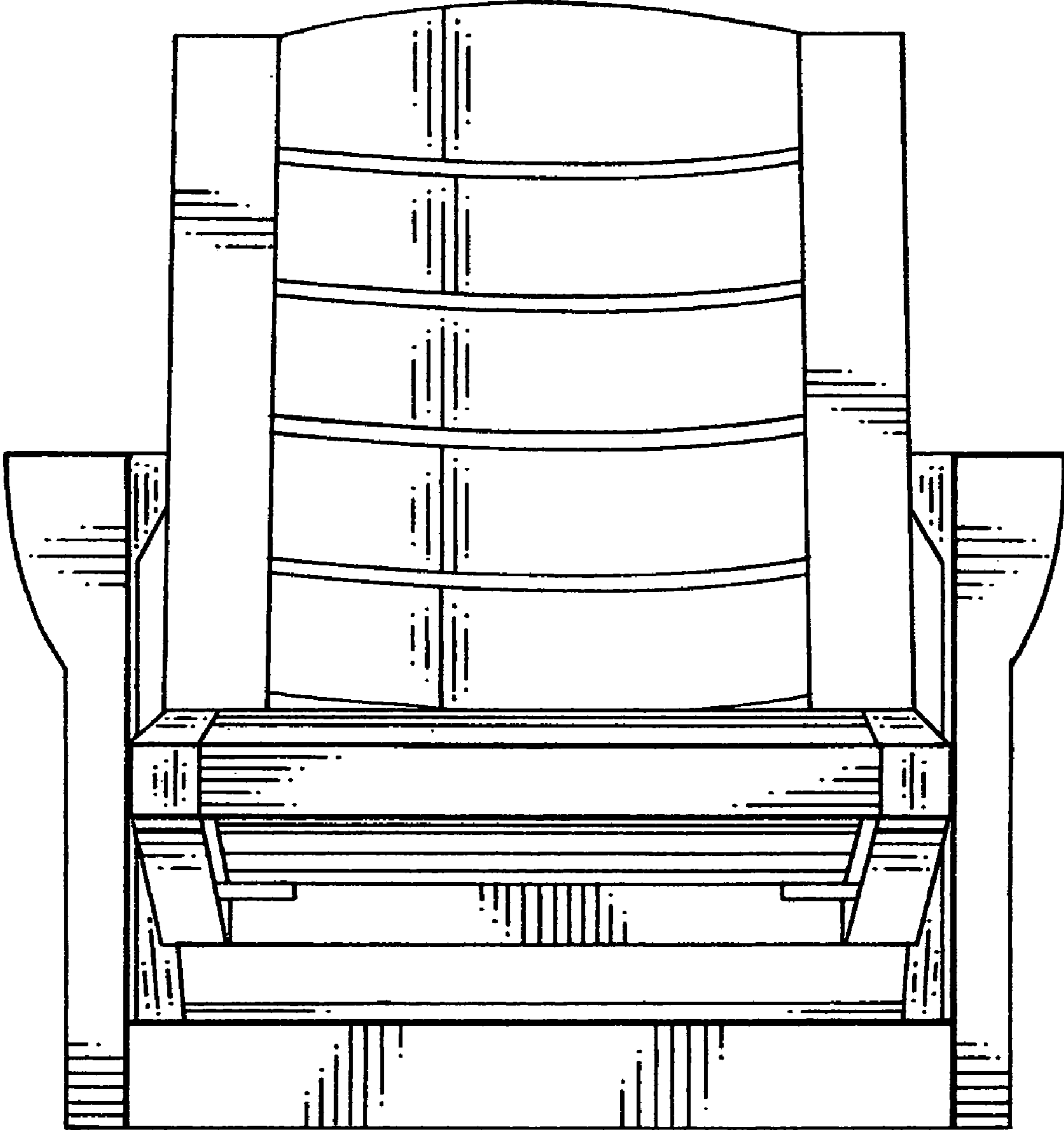


FIG. 2

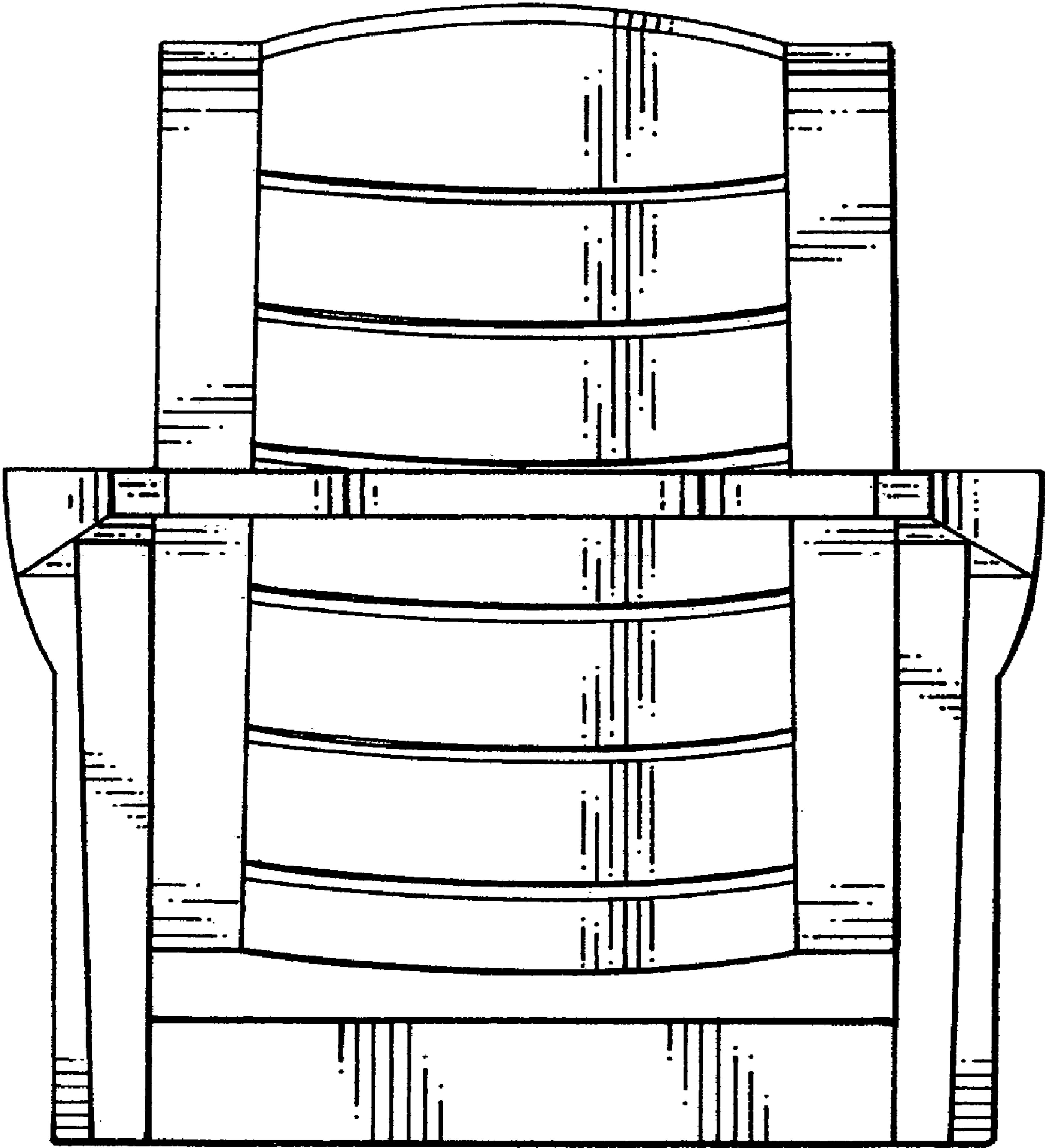


FIG. 3

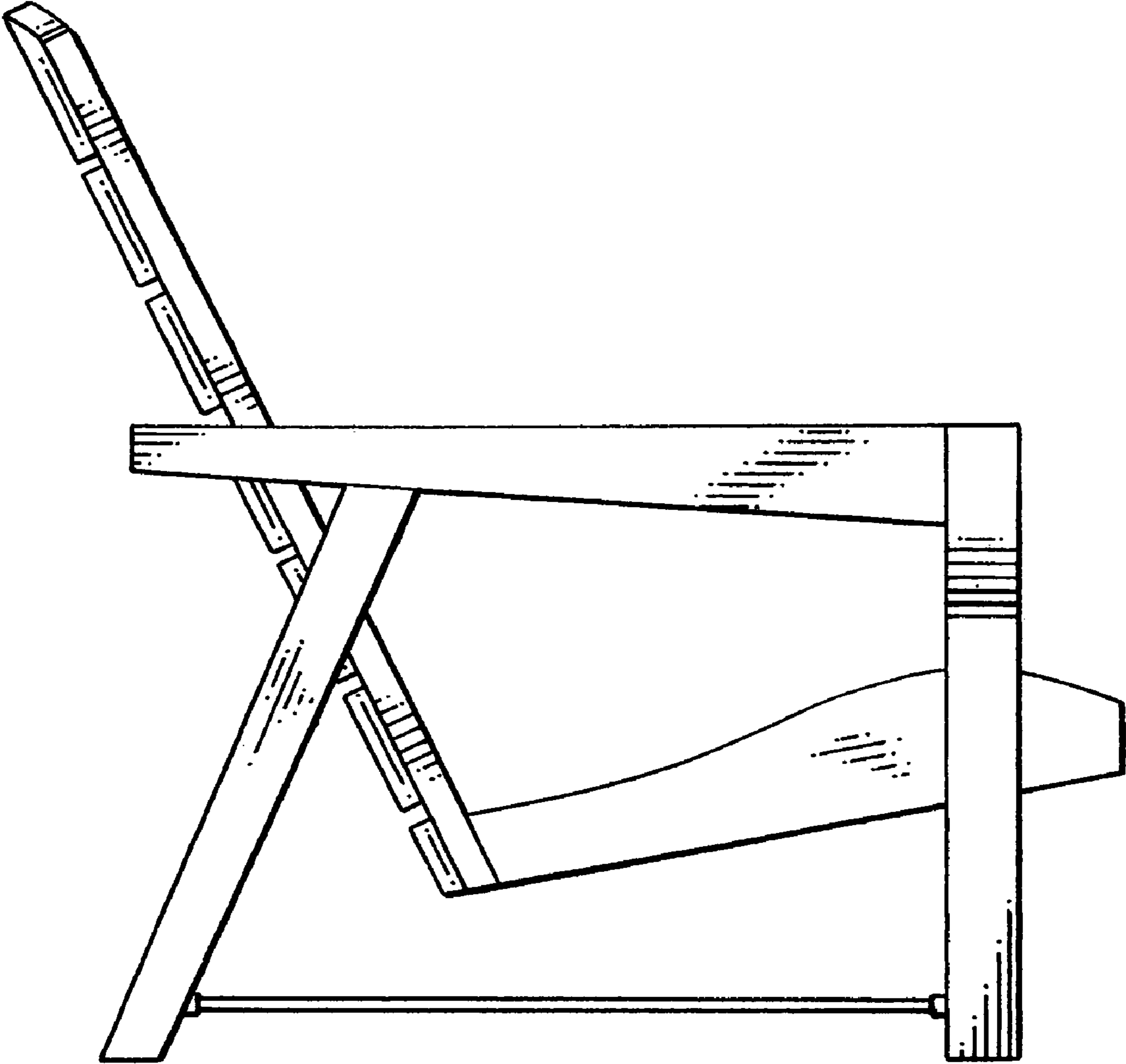


FIG. 4

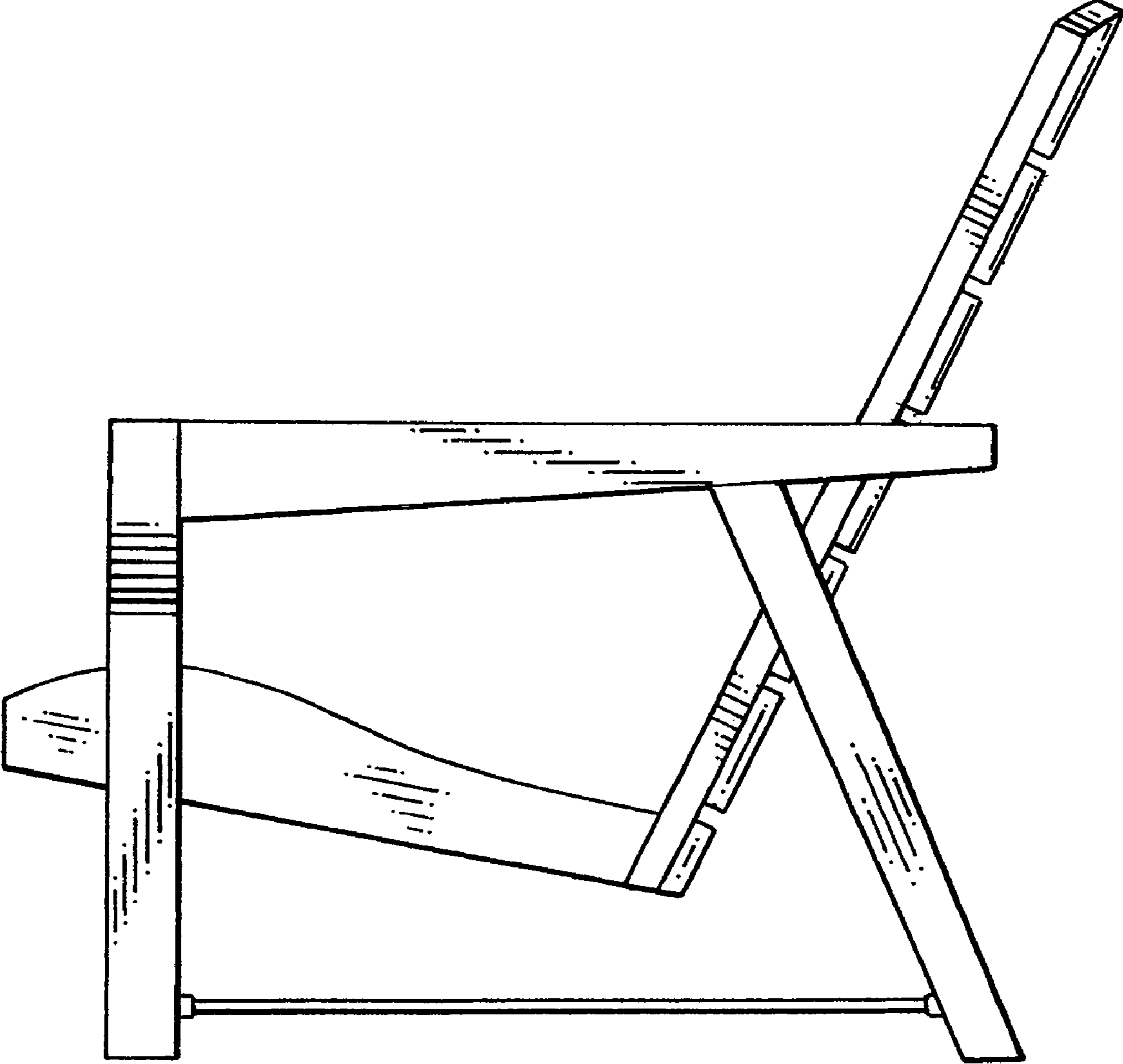


FIG. 5

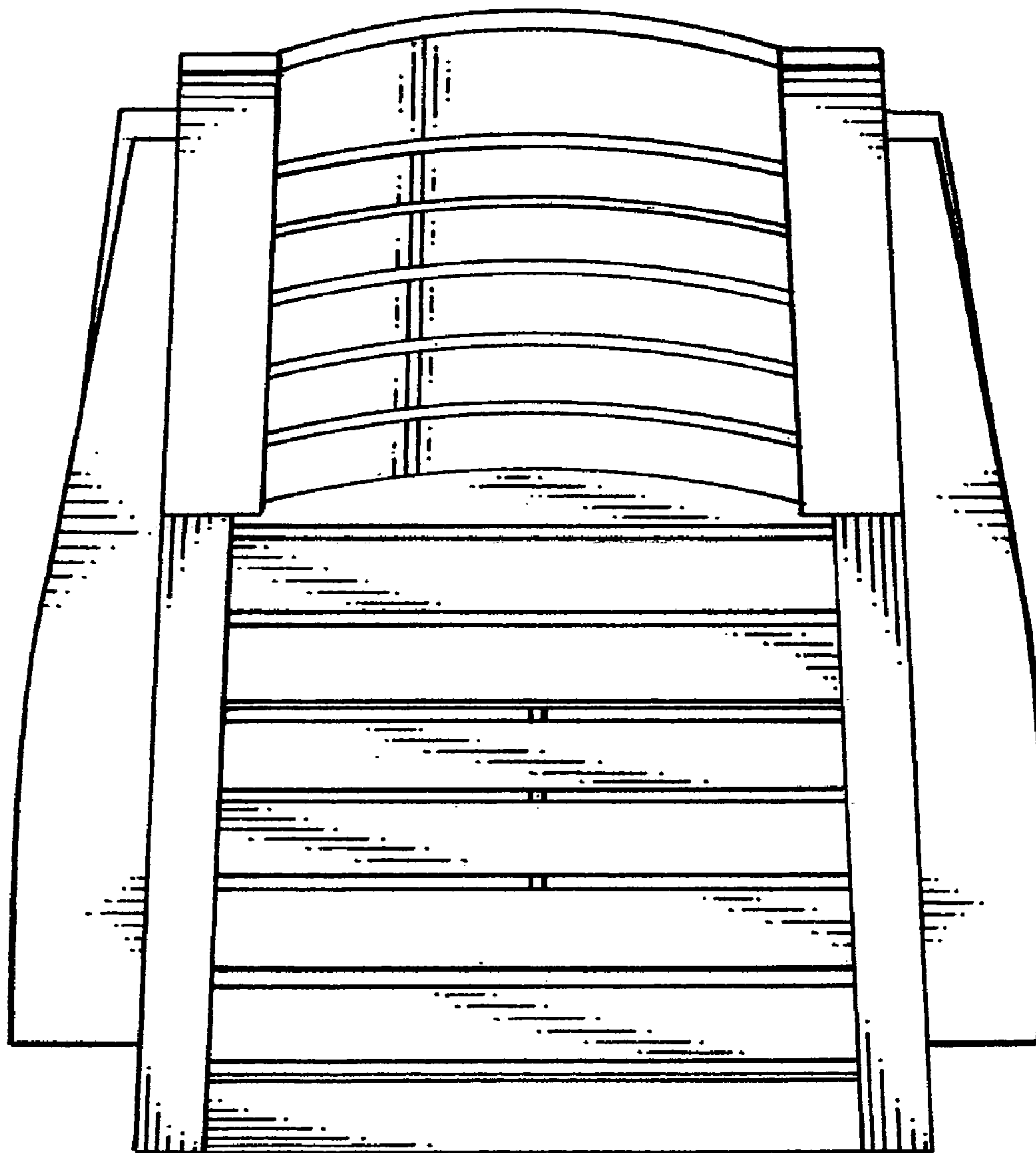


FIG. 6

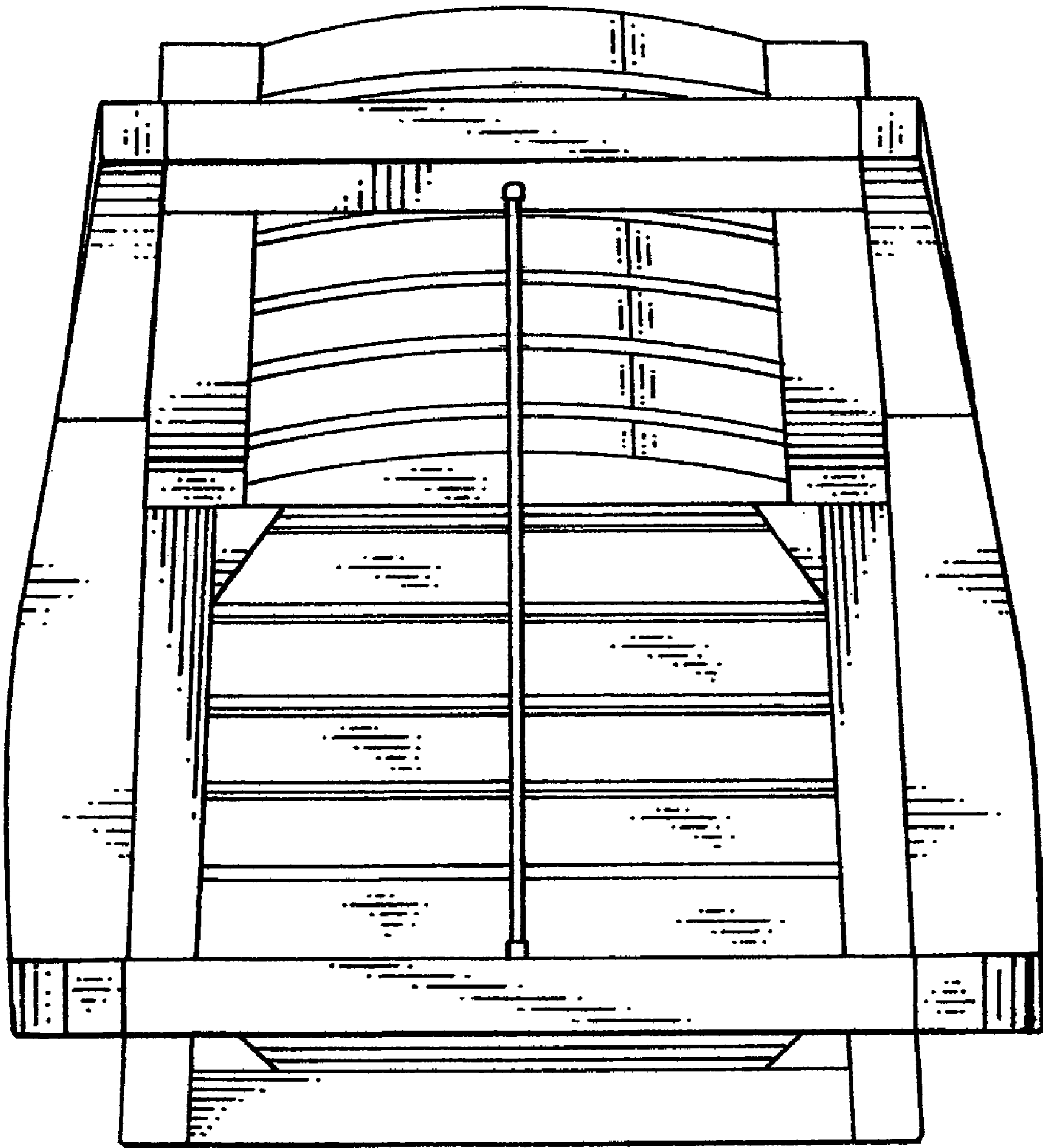


FIG. 7

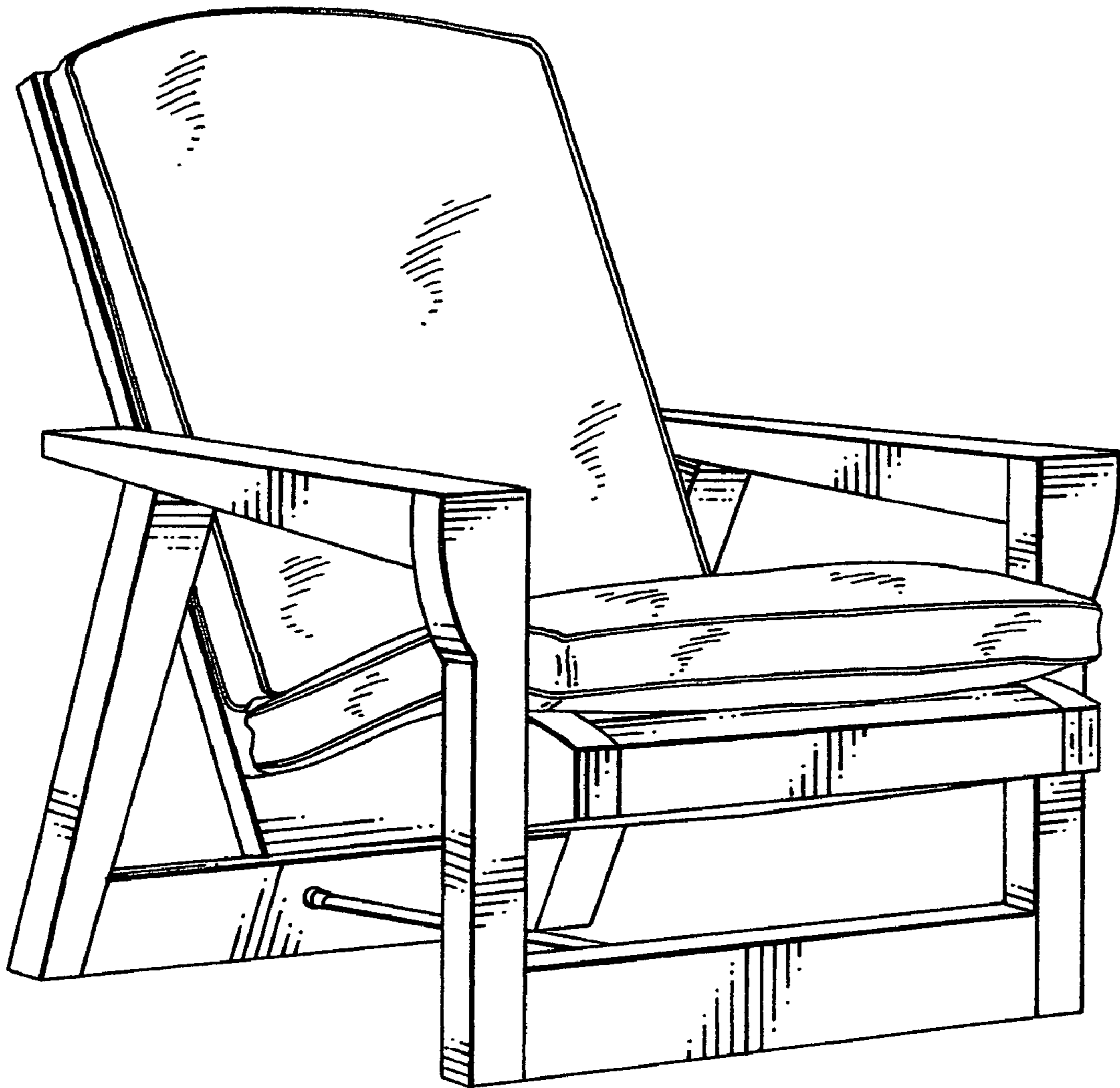


FIG. 8