



US00D545583S

(12) **United States Design Patent**  
**Huang**

(10) **Patent No.:** **US D545,583 S**

(45) **Date of Patent:** **\*\* Jul. 3, 2007**

(54) **CHAIR**

(76) Inventor: **William Huang**, 5353 Jillson St.,  
Commerce, CA (US) 90040

(\*\*) Term: **14 Years**

(21) Appl. No.: **29/275,899**

(22) Filed: **Jan. 9, 2007**

(51) **LOC (8) Cl.** ..... **06-01**

(52) **U.S. Cl.** ..... **D6/366**

(58) **Field of Classification Search** ..... D6/334-335,  
D6/356, 364, 365, 366, 367, 368, 374, 500-502;  
297/452.21, 452.24, 452.26, 452.32, 452.33,  
297/452.37, 452.48

See application file for complete search history.

(56) **References Cited**

**U.S. PATENT DOCUMENTS**

D451,716 S *	12/2001	Tseng	.....	D6/500
D451,718 S *	12/2001	Tseng	.....	D6/500
D451,719 S *	12/2001	Tseng	.....	D6/500
D454,014 S *	3/2002	Su	.....	D6/500
D481,231 S *	10/2003	True	.....	D6/366
D492,143 S *	6/2004	True	.....	D6/500

D493,987 S *	8/2004	True	.....	D6/366
D494,389 S *	8/2004	True	.....	D6/500
D495,168 S *	8/2004	True	.....	D6/500
D518,319 S *	4/2006	True	.....	D6/366
D534,747 S *	1/2007	True	.....	D6/500

\* cited by examiner

*Primary Examiner*—Mimosa De

(74) *Attorney, Agent, or Firm*—Jen-Feng Lee

(57) **CLAIM**

I claim the ornamental design for a chair, as shown and described.

**DESCRIPTION**

FIG. 1 shows the perspective view of a chair showing my new design,

FIG. 2 shows the front view thereof,

FIG. 3 shows the rear view thereof,

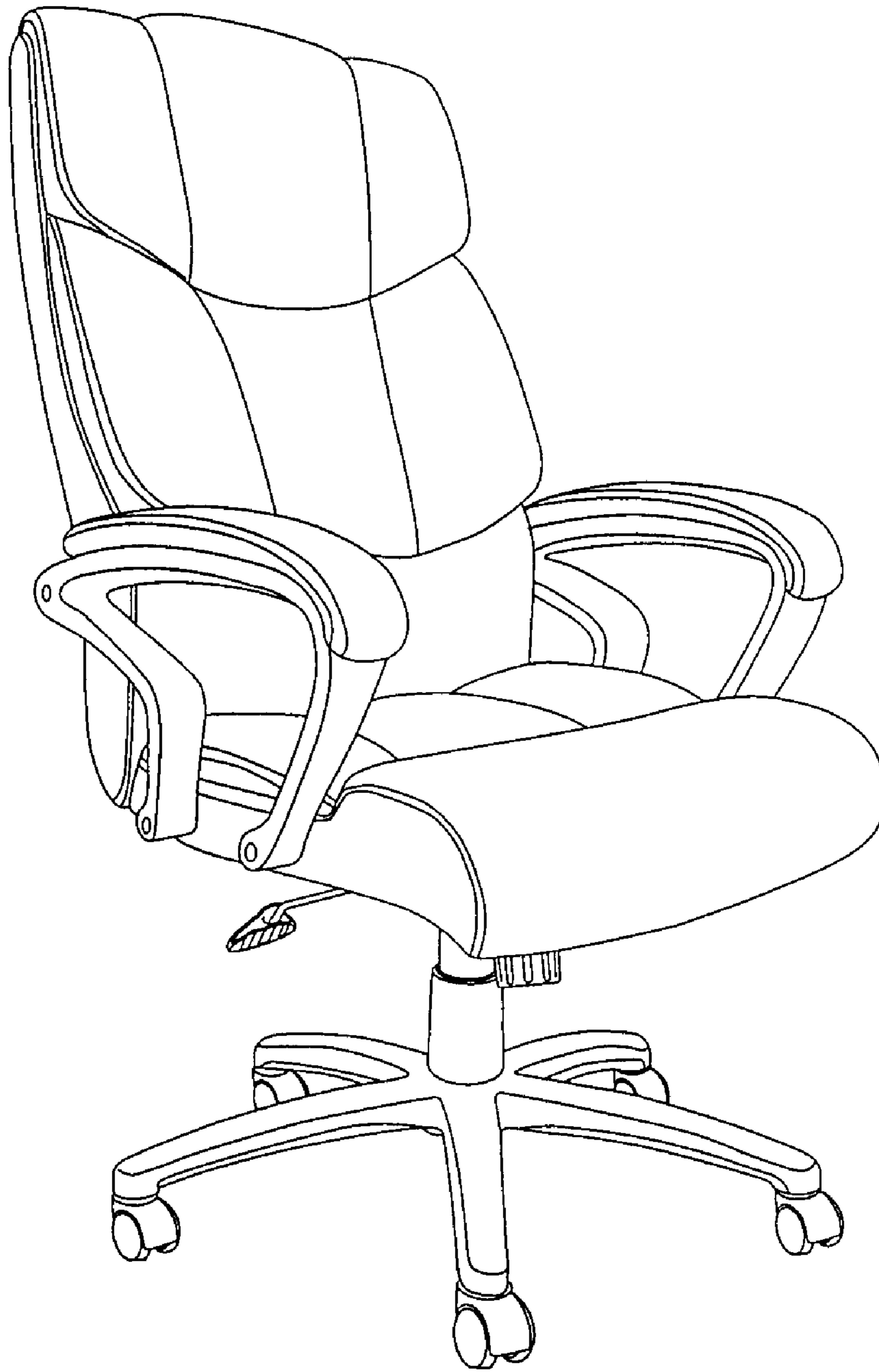
FIG. 4 shows the right side view thereof,

FIG. 5 shows the left side view thereof; and,

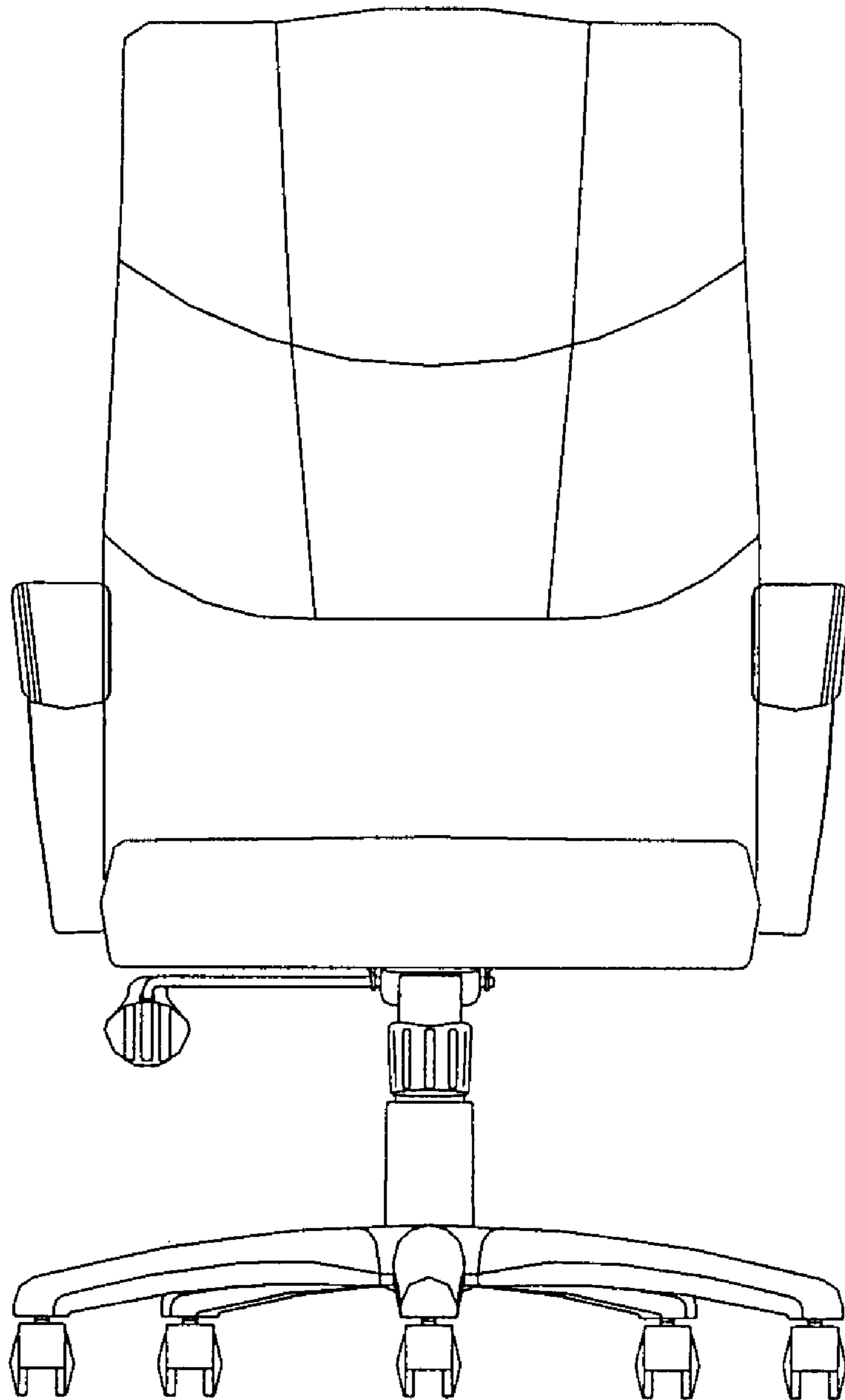
FIG. 6 shows the top plan view thereof.

**1 Claim, 6 Drawing Sheets**

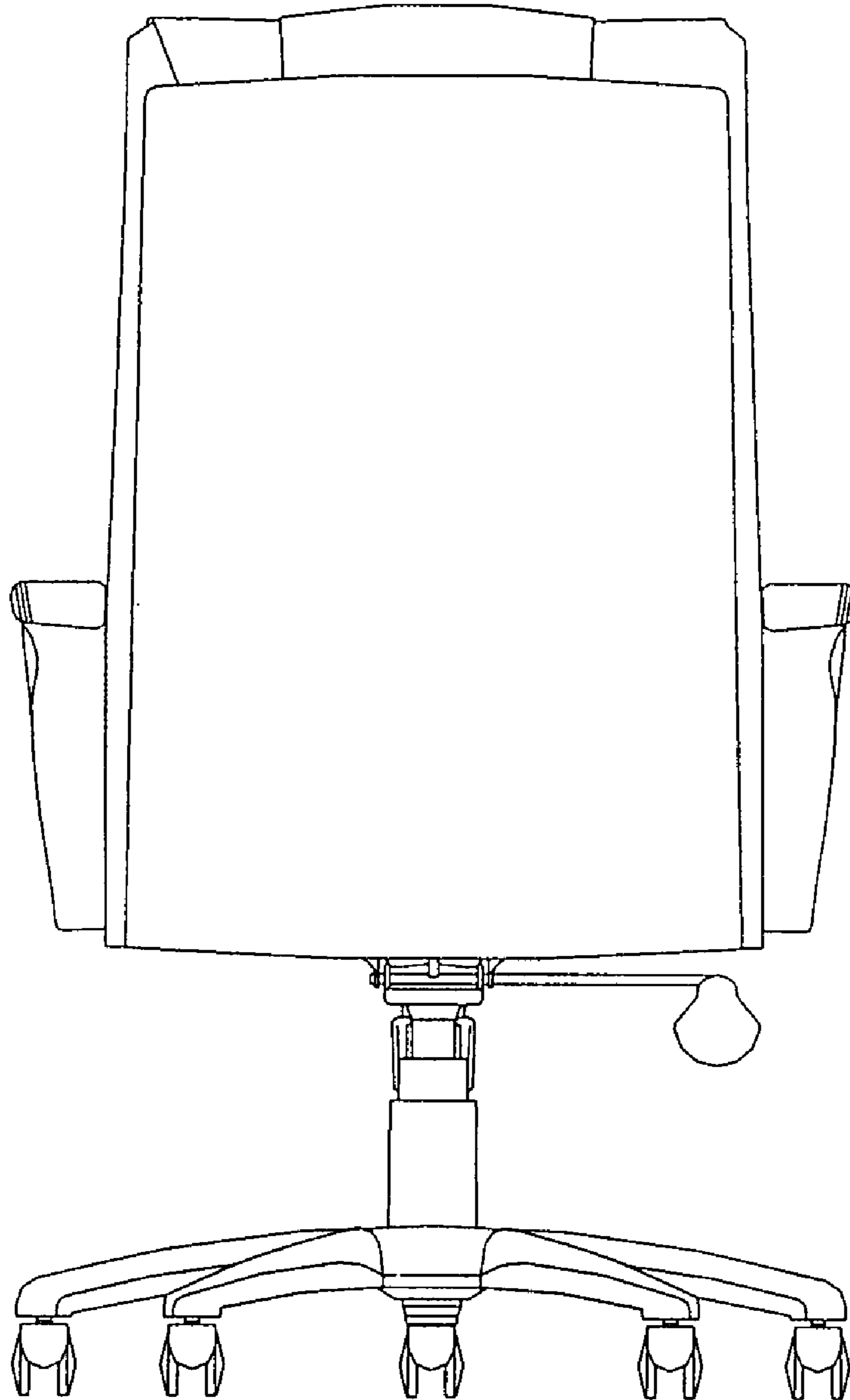




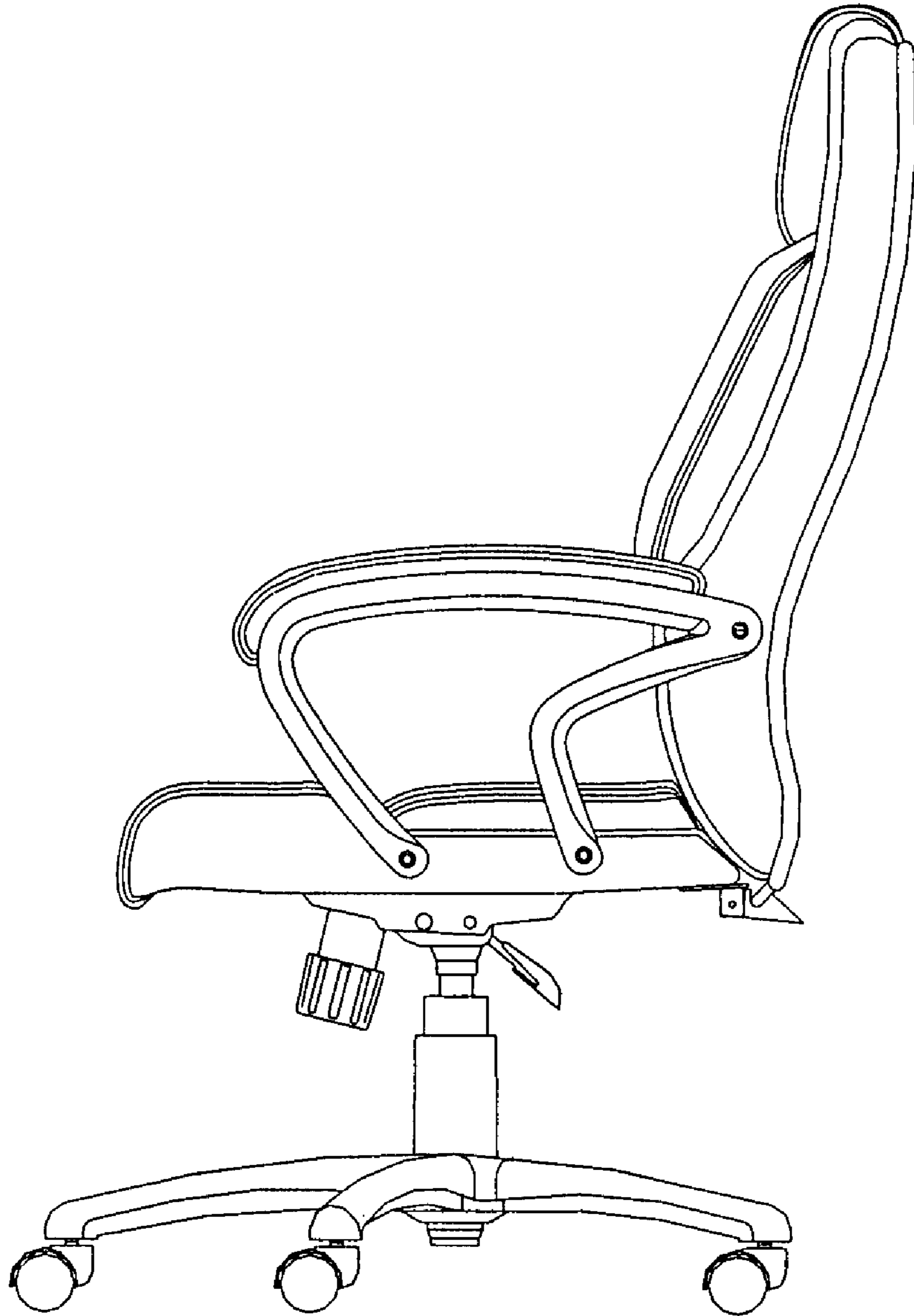
*Figure 1*



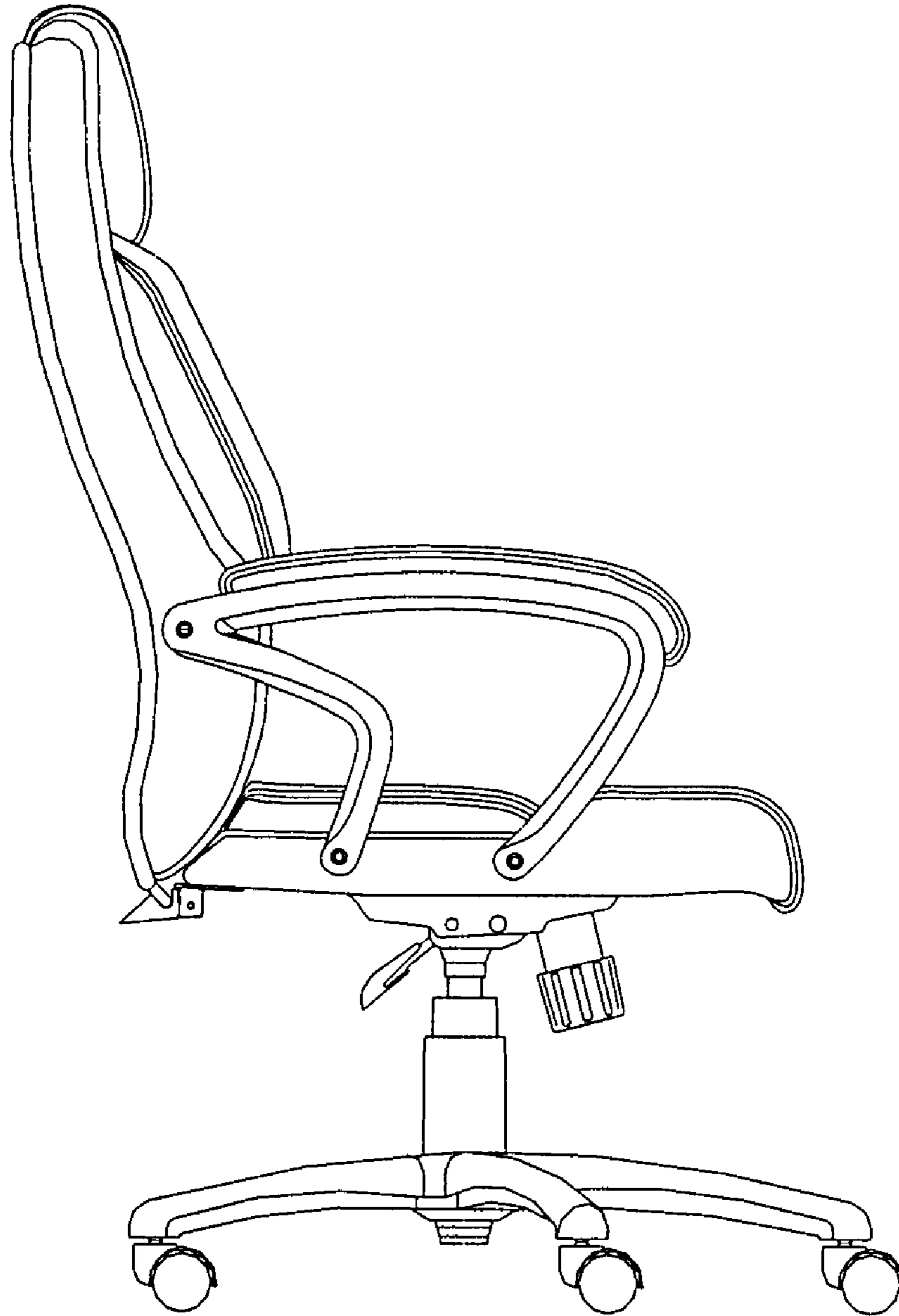
*Figure 2*



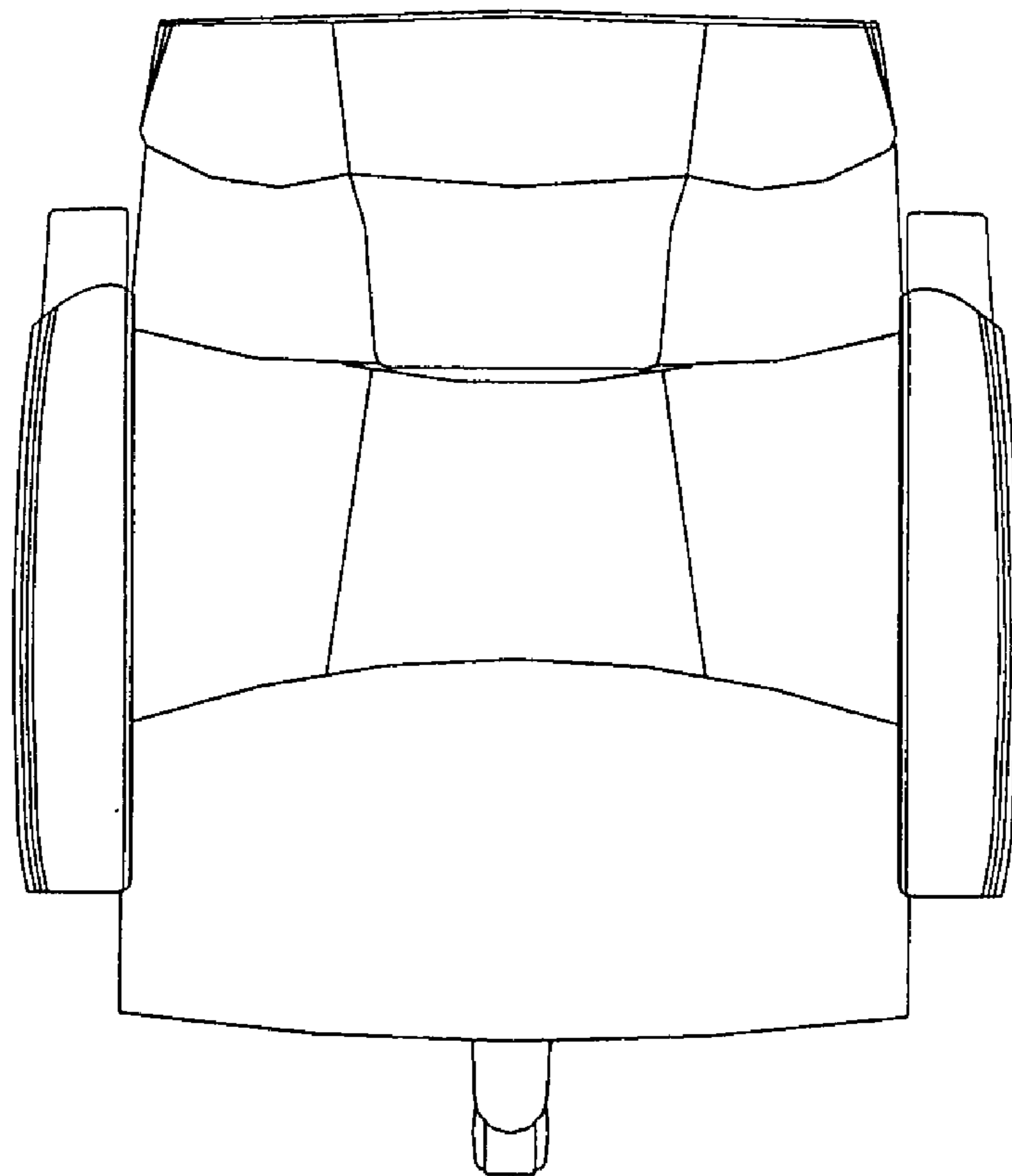
*Figure 3*



*Figure 4*



*Figure 5*



*Figure 6*