

US00D545582S

(12) **United States Design Patent**
Wu

(10) **Patent No.:** **US D545,582 S**

(45) **Date of Patent:** **** Jul. 3, 2007**

(54) **CHAIR**

(76) **Inventor:** **Yao-Chuan Wu**, No. 1-1, Nei Pu Tsai,
Ta Chi Tsun, Minhsiung Hsiang, Chiayi
Hsien, 621 (TW)

(**) **Term:** **14 Years**

(21) **Appl. No.:** **29/252,013**

(22) **Filed:** **Jan. 17, 2006**

(51) **LOC (8) Cl.** **06-01**

(52) **U.S. Cl.** **D6/366**

(58) **Field of Classification Search** D6/334-336,
D6/364, 365, 366, 367, 369, 379, 380, 500-50;
297/391, 393, 396, 411.27, 452.29, 452.3,
297/452.56, 452.64

See application file for complete search history.

(56) **References Cited**

U.S. PATENT DOCUMENTS

D436,456 S *	1/2001	Neil	D6/366
D481,879 S *	11/2003	Su	D6/366
D486,656 S *	2/2004	Su	D6/366
D486,657 S *	2/2004	Su	D6/366
D489,542 S *	5/2004	Giugiaro	D6/366
D507,124 S *	7/2005	Yang	D6/366
D510,488 S *	10/2005	Su	D6/366

D512,232 S *	12/2005	Wu	D6/366
D512,574 S *	12/2005	Tsai	D6/366
D512,843 S *	12/2005	Breen	D6/366
D516,828 S *	3/2006	Tsai	D6/366
D528,810 S *	9/2006	Giugiaro	D6/366
D534,365 S *	1/2007	Breen	D6/366

* cited by examiner

Primary Examiner—Mimosa De

(74) *Attorney, Agent, or Firm*—Alan Kamrath; Kamrath &
Associates P.A.

(57) **CLAIM**

The ornamental design for a chair, as shown and described.

DESCRIPTION

FIG. 1 is a perspective view of a chair showing my design;
FIG. 2 is a front elevational view thereof;
FIG. 3 is a rear elevational view thereof;
FIG. 4 is a left side elevational view thereof;
FIG. 5 is a right side elevational view thereof;
FIG. 6 is a top plan view thereof; and,
FIG. 7 is a bottom plan view thereof.

1 Claim, 7 Drawing Sheets

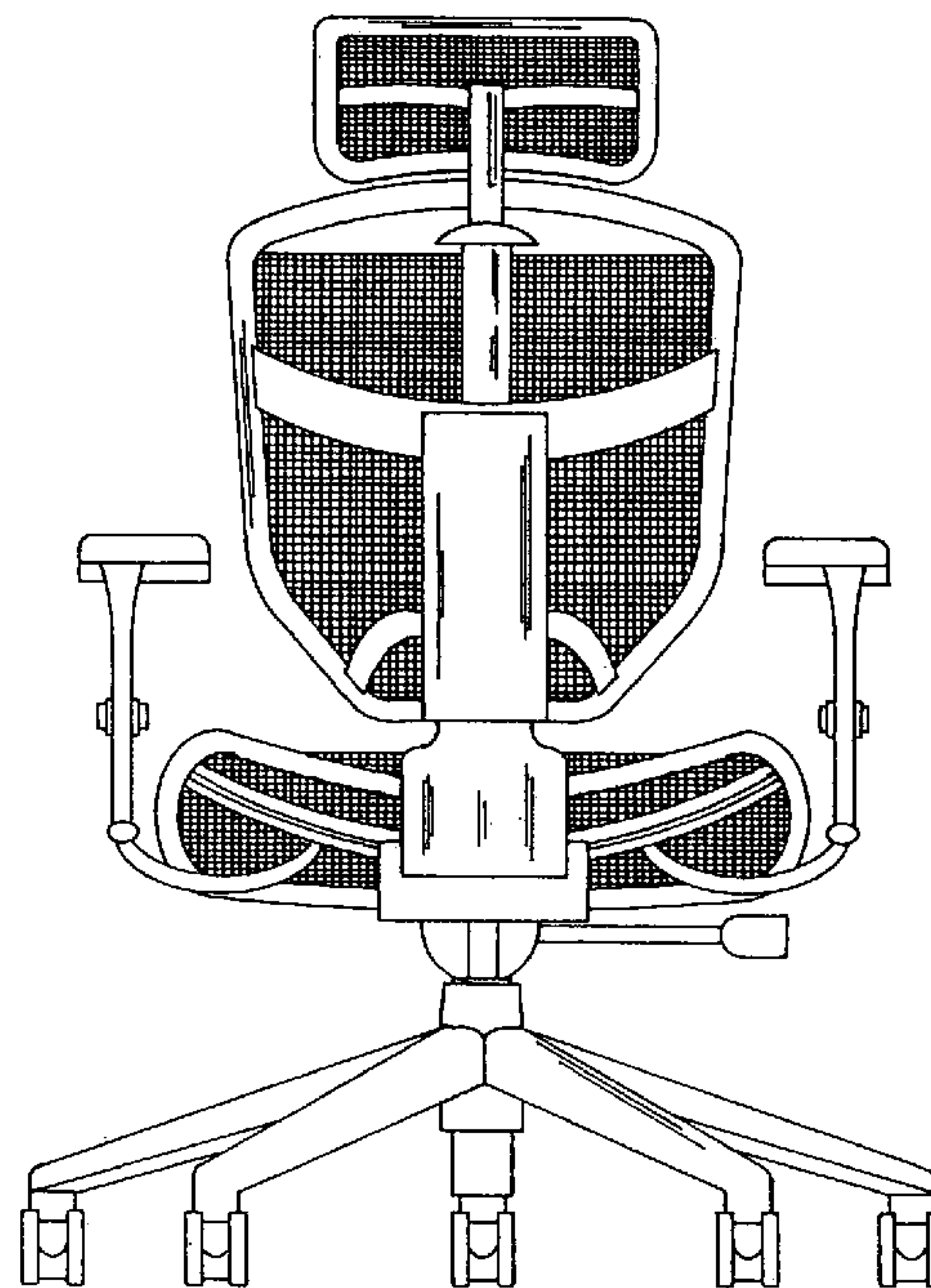
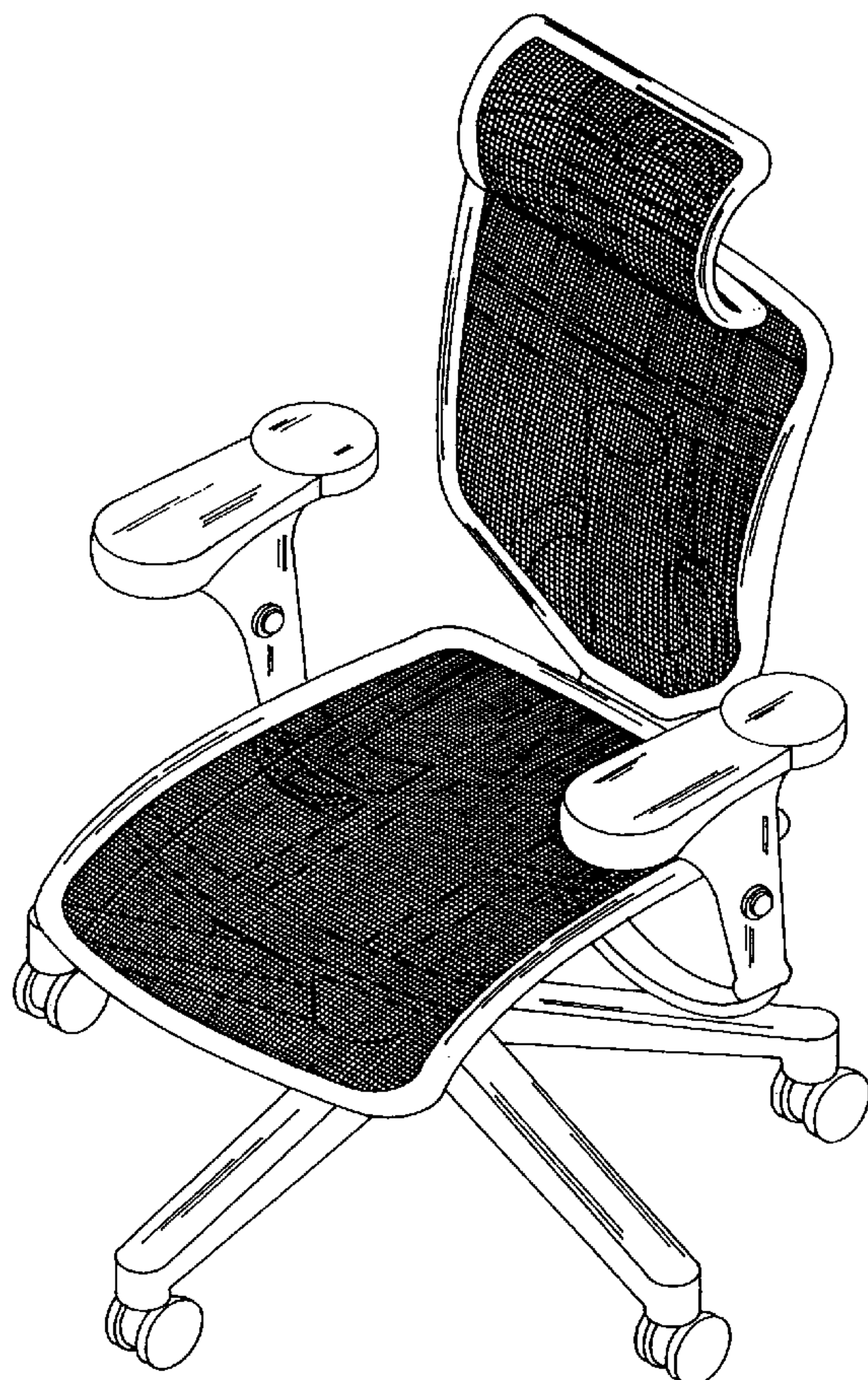




FIG. 1

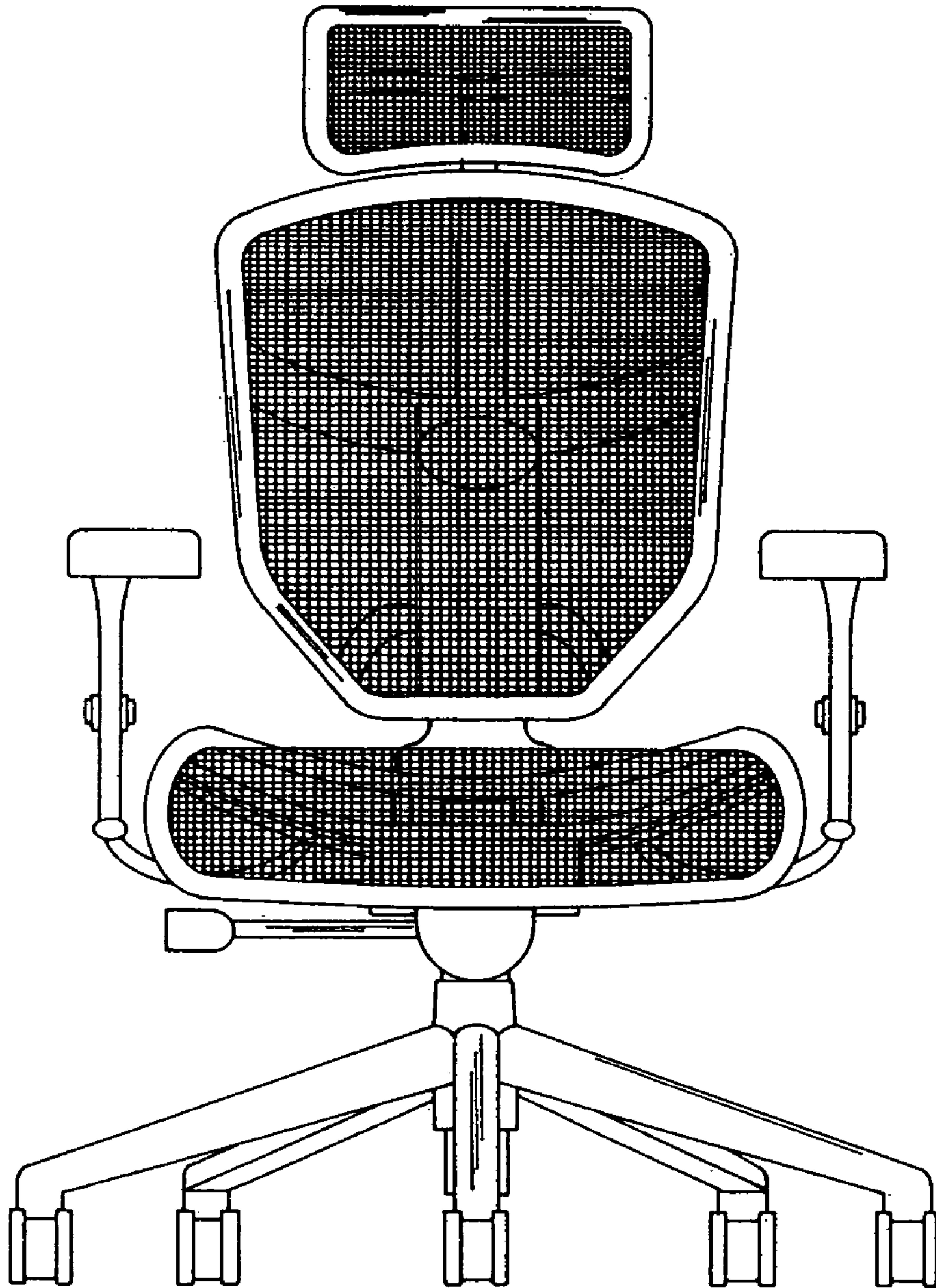


FIG. 2

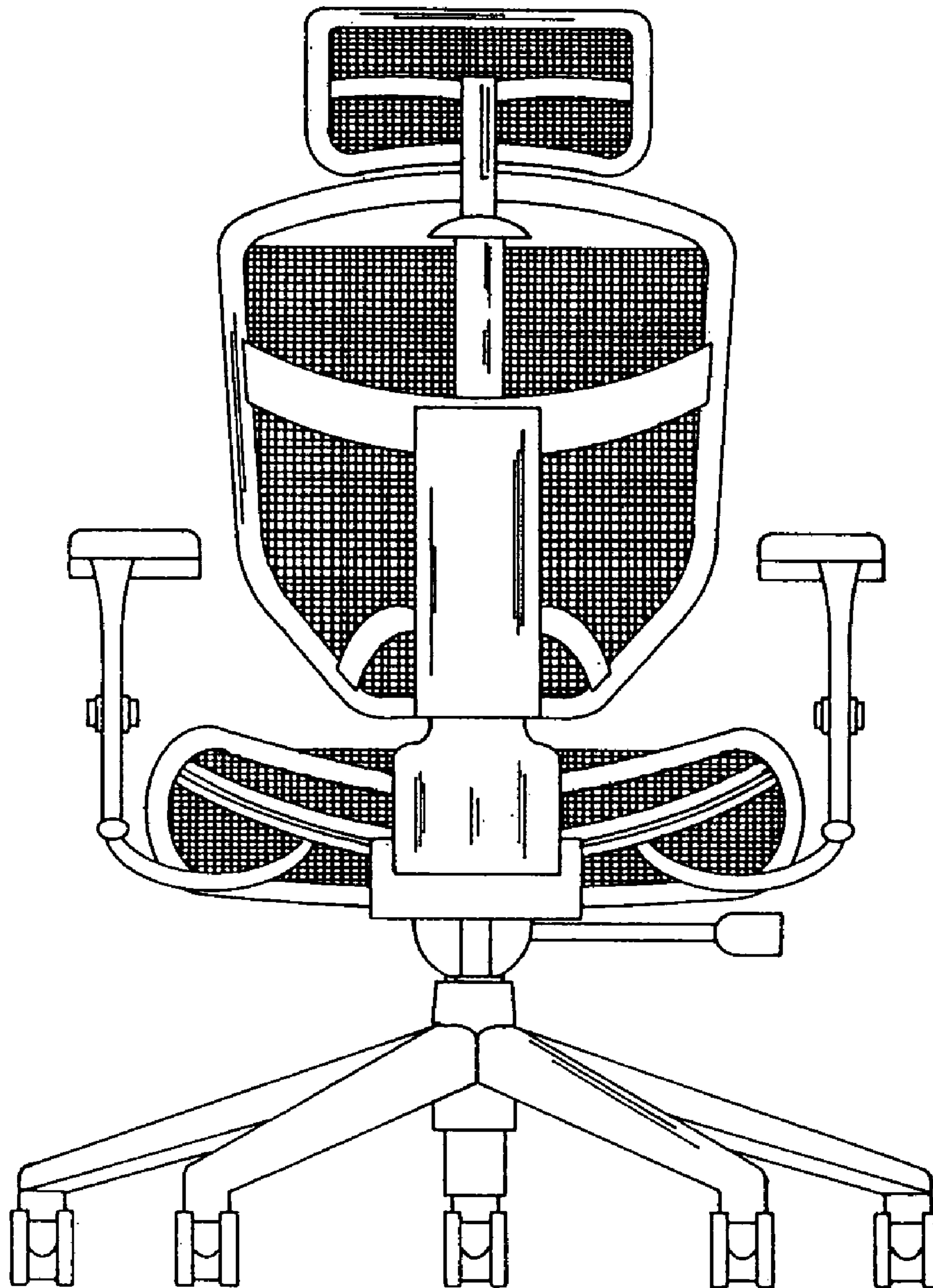


FIG.3

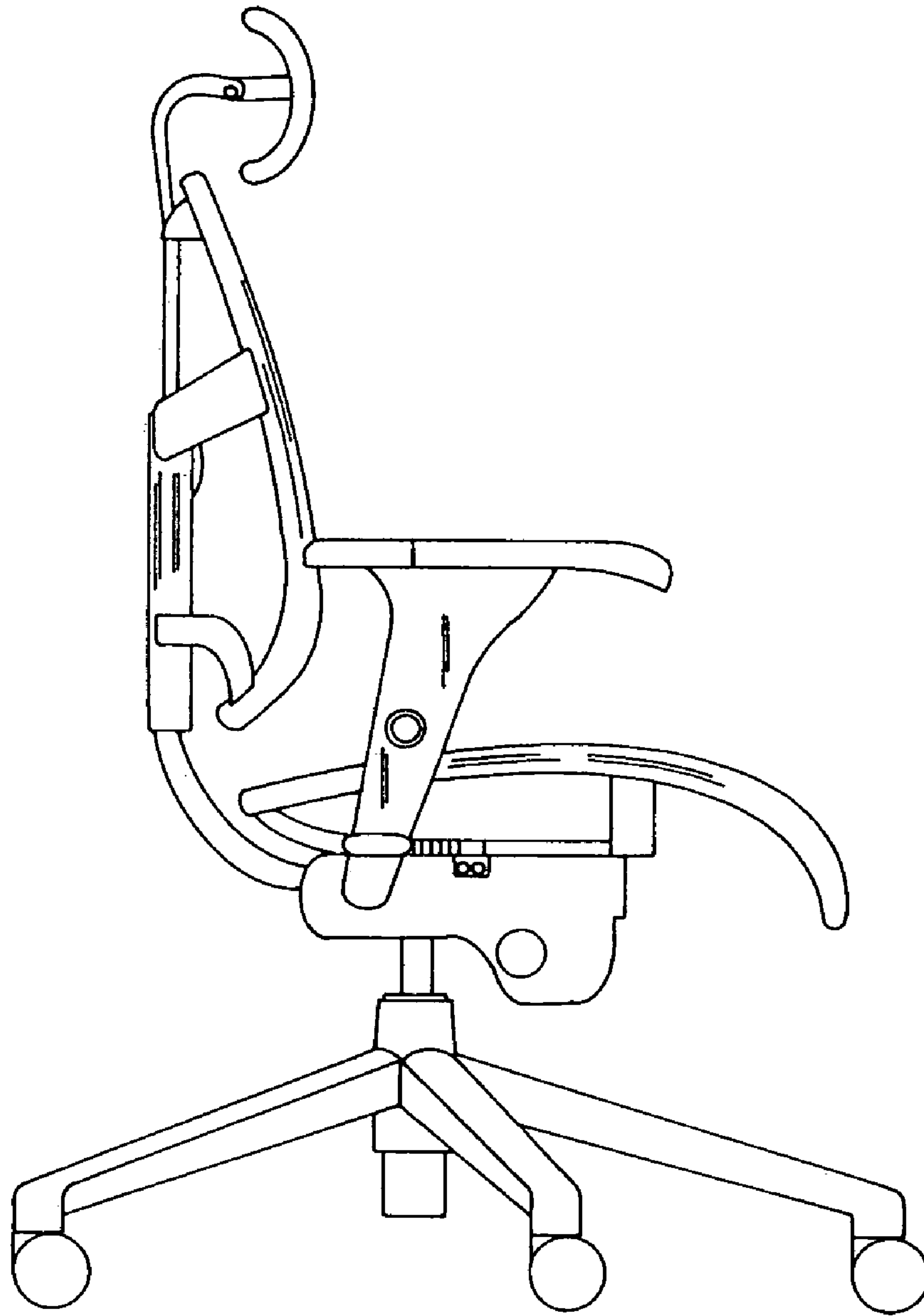


FIG. 4

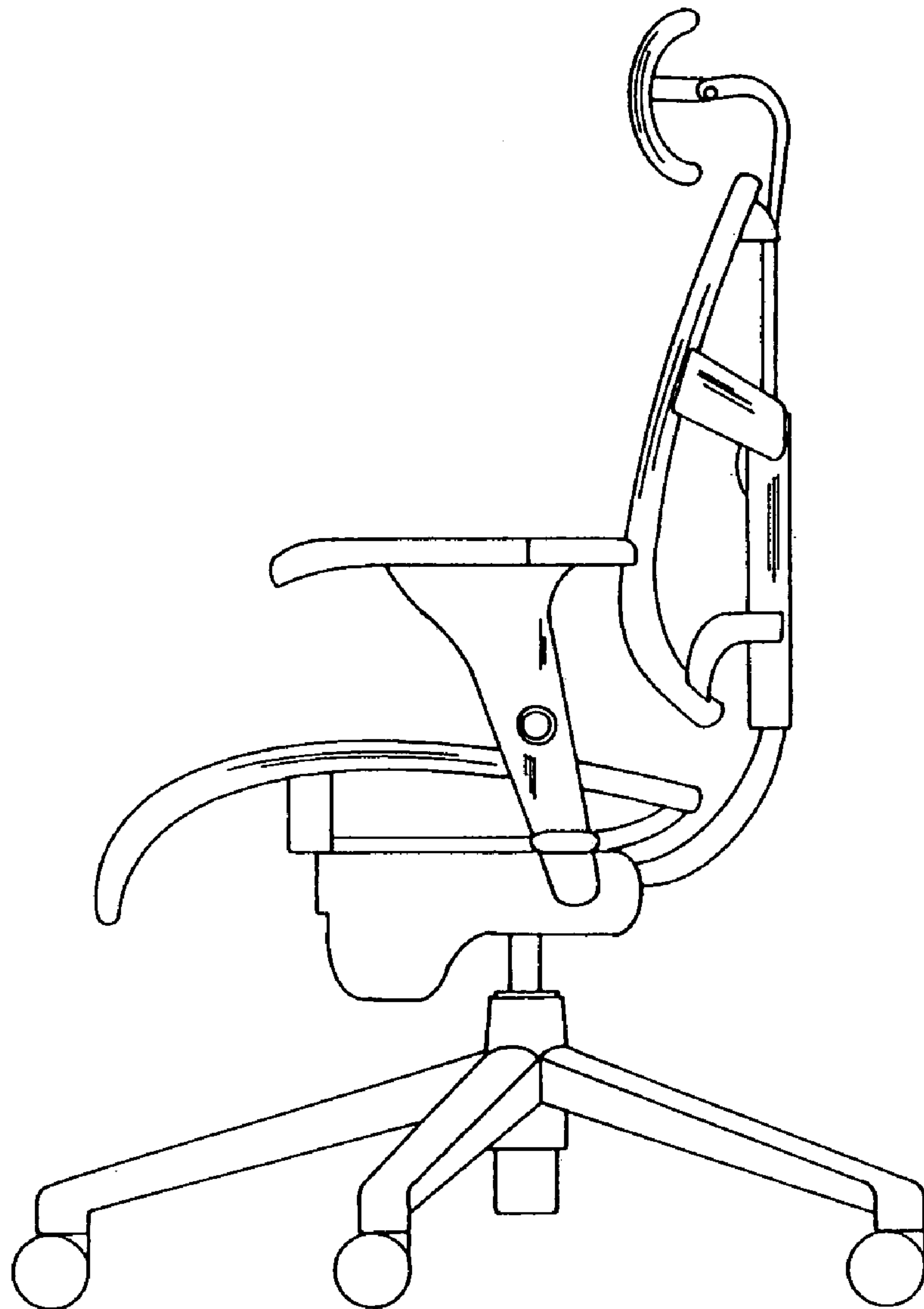


FIG. 5

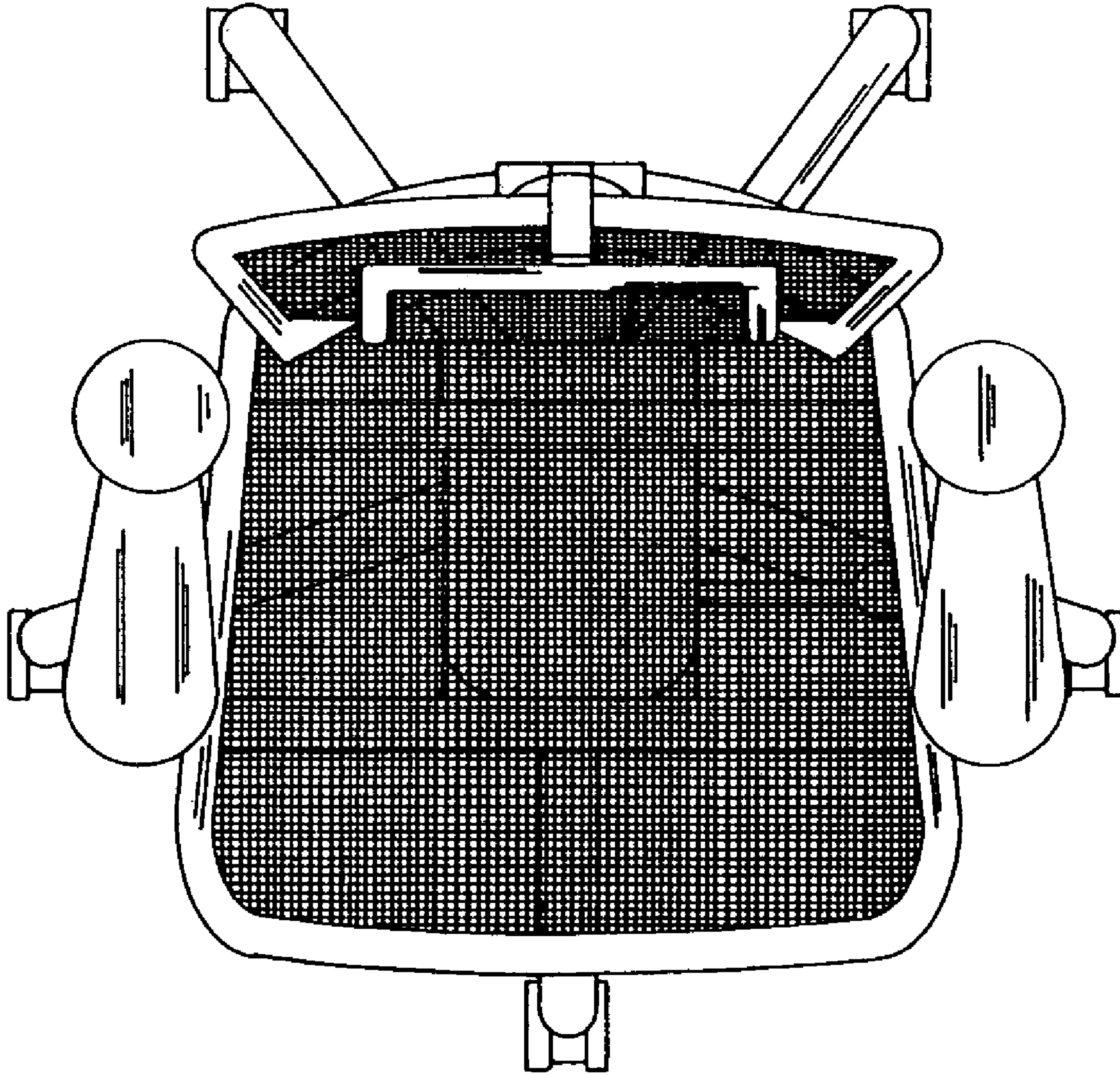


FIG. 6

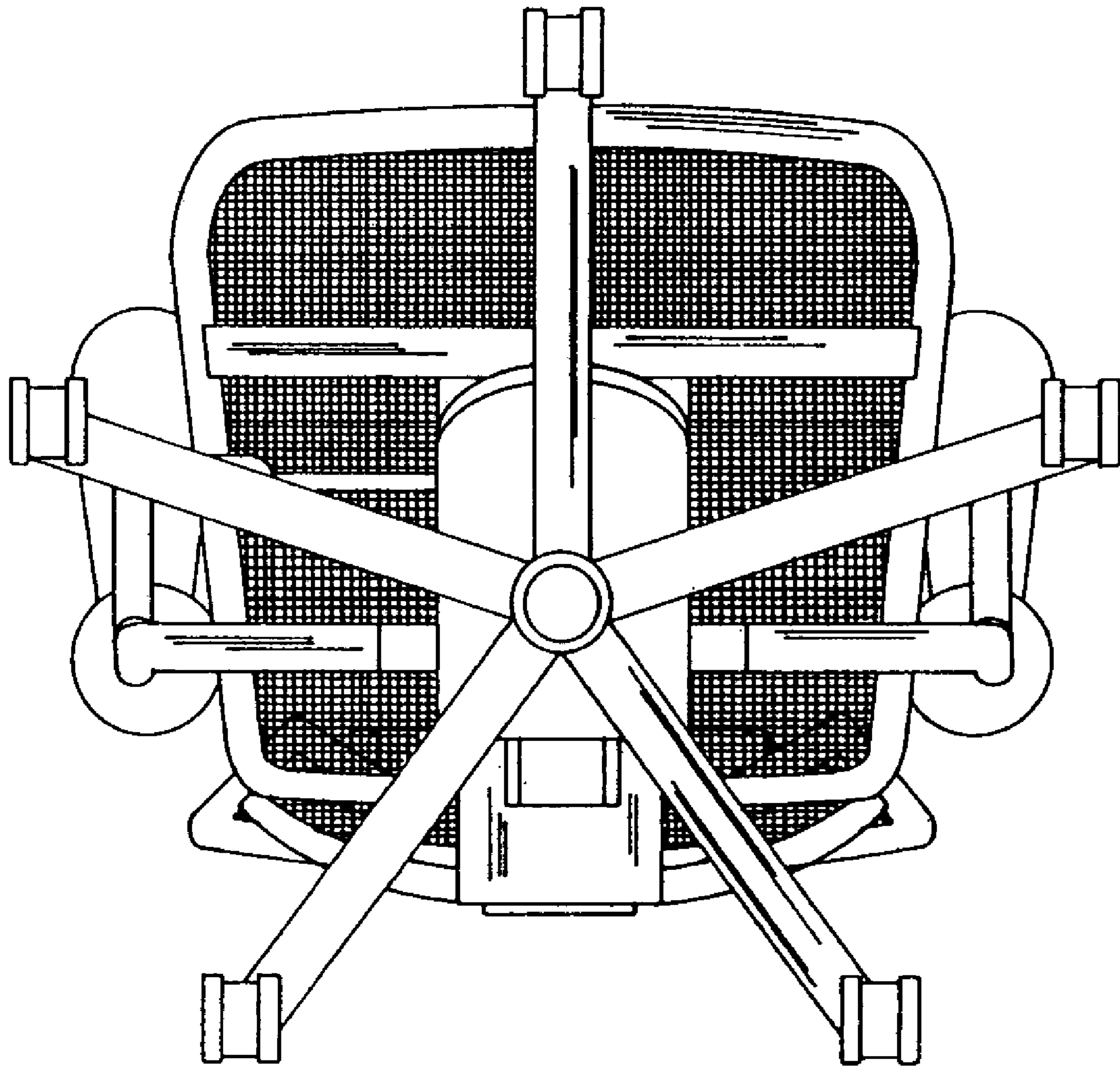


FIG. 7