



US00D545581S

(12) **United States Design Patent**
Gower

(10) **Patent No.:** **US D545,581 S**

(45) **Date of Patent:** **** Jul. 3, 2007**

(54) **CHAISE**

(76) **Inventor:** **Andrew Gower**, 21 N. Main St., Suite #1, Ashland, OR (US) 27520

(**) **Term:** **14 Years**

(21) **Appl. No.:** **29/261,388**

(22) **Filed:** **Jun. 13, 2006**

(51) **LOC (8) Cl.** **06-01**

(52) **U.S. Cl.** **D6/361**

(58) **Field of Classification Search** D6/334-336,
D6/360, 361, 367, 368, 369, 370, 371-373,
D6/374, 375, 379, 380, 500-502; 297/353,
297/377, 354.1, 423.1, 445.1, 452.63, 452.64
See application file for complete search history.

(56) **References Cited**

U.S. PATENT DOCUMENTS

D226,061 S *	1/1973	Kellman	D6/361
D317,087 S *	5/1991	Frinier	D6/361
D329,335 S *	9/1992	Komai et al.	D6/361
D341,950 S *	12/1993	Martin	D6/361
D437,700 S *	2/2001	Tyler	D6/361

D514,336 S *	2/2006	Spector et al.	D6/361
D515,324 S *	2/2006	Grosfillex	D6/361
D517,333 S *	3/2006	Grosfillex	D6/361

* cited by examiner

Primary Examiner—Mimosa De

(74) *Attorney, Agent, or Firm*—Schwartz Law Firm P.C.

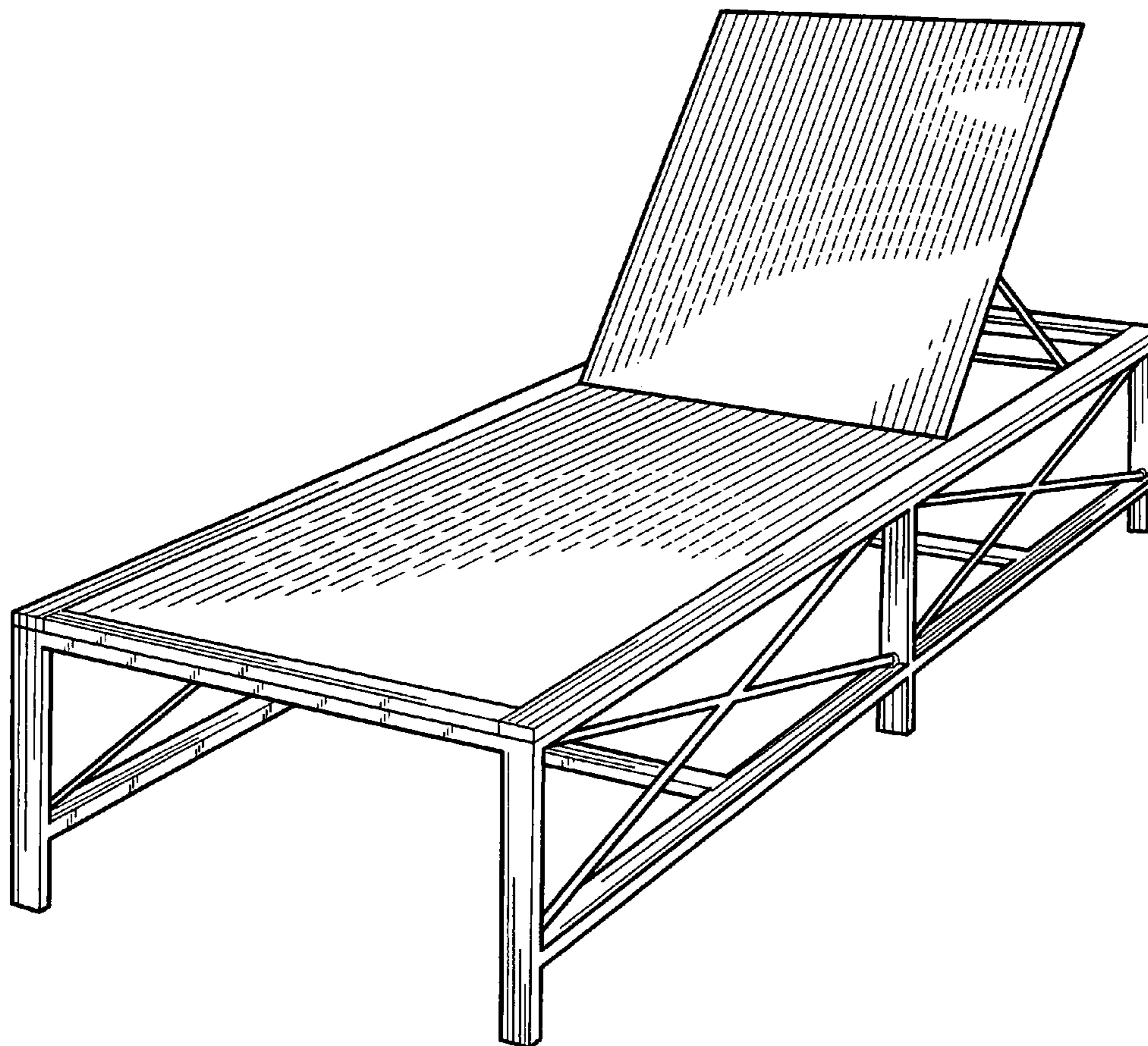
(57) **CLAIM**

I claim the ornamental design for a chaise, as shown and described.

DESCRIPTION

FIG. 1 is a front perspective view of the chaise;
 FIG. 2 is a back perspective view thereof;
 FIG. 3 is a right side view thereof, the left side being a mirror image thereof;
 FIG. 4 is a front view thereof;
 FIG. 5 is a back view thereof;
 FIG. 6 is top view thereof; and,
 FIG. 7 is a bottom view thereof.

1 Claim, 6 Drawing Sheets



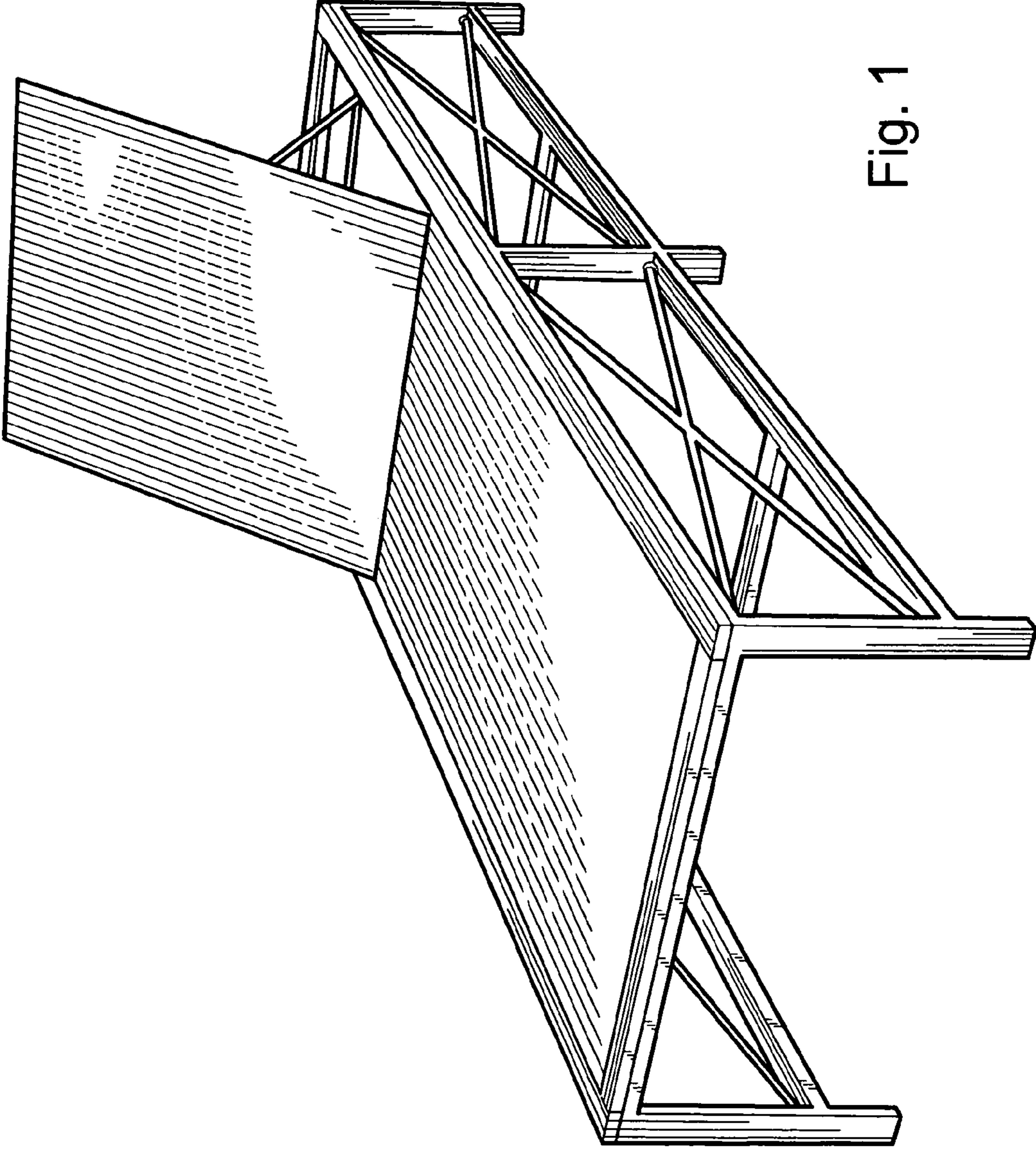


Fig. 1

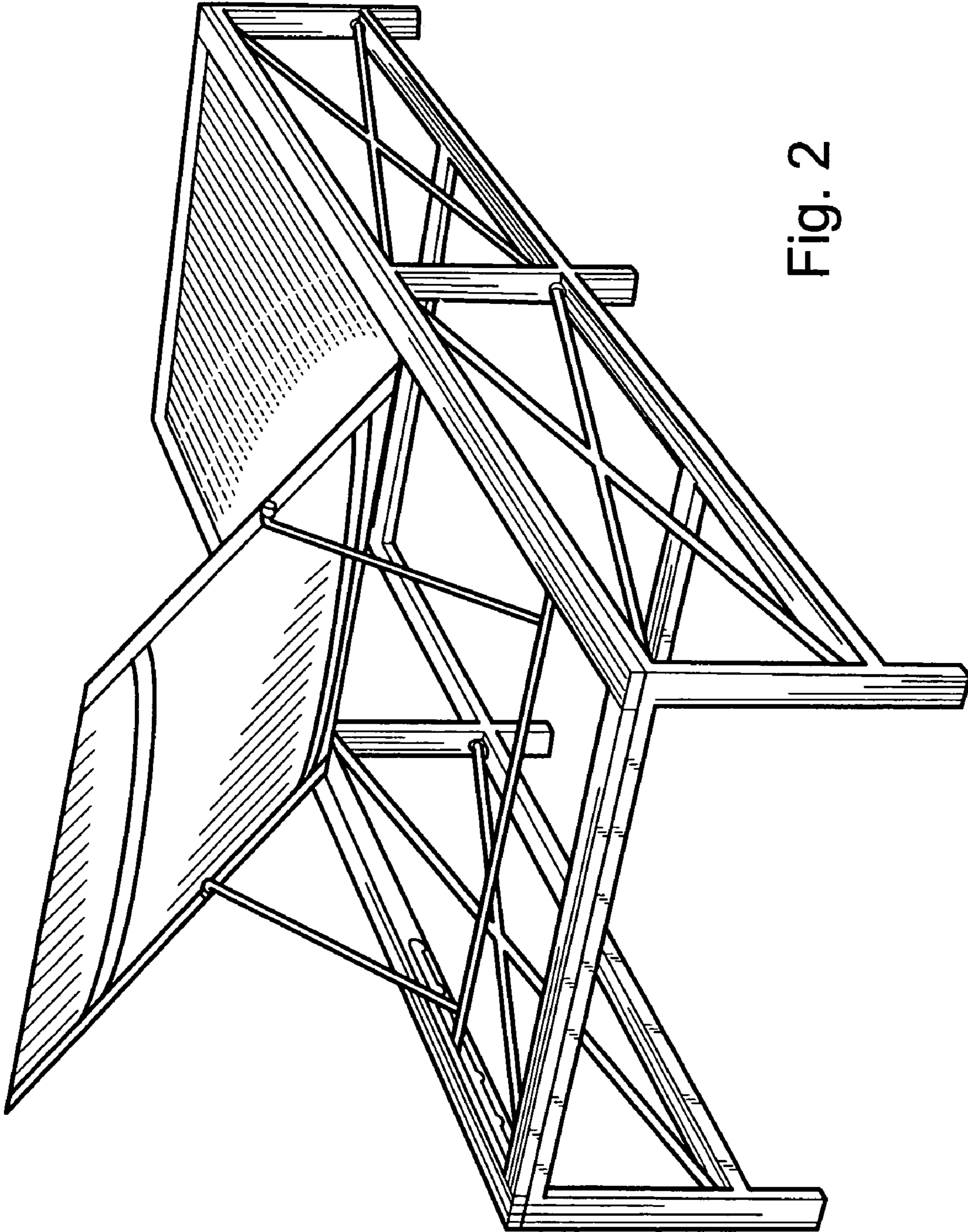


Fig. 2

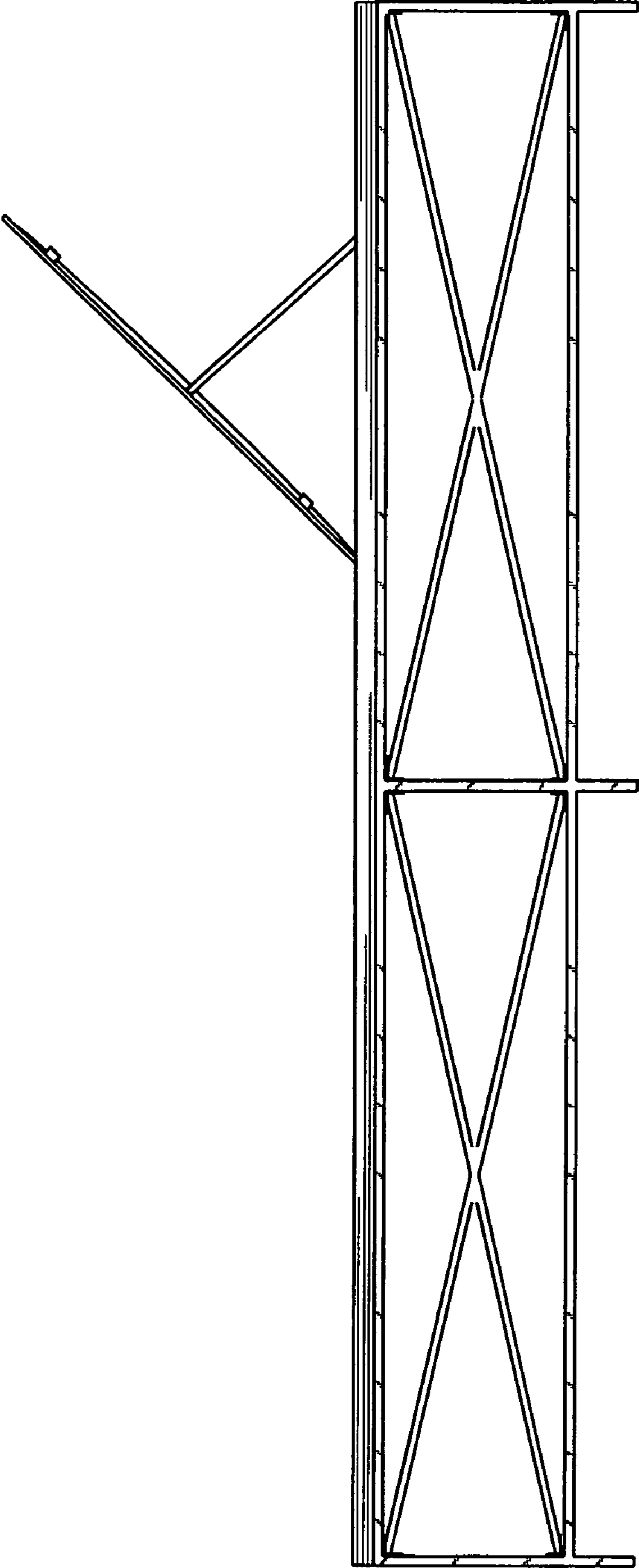


Fig. 3

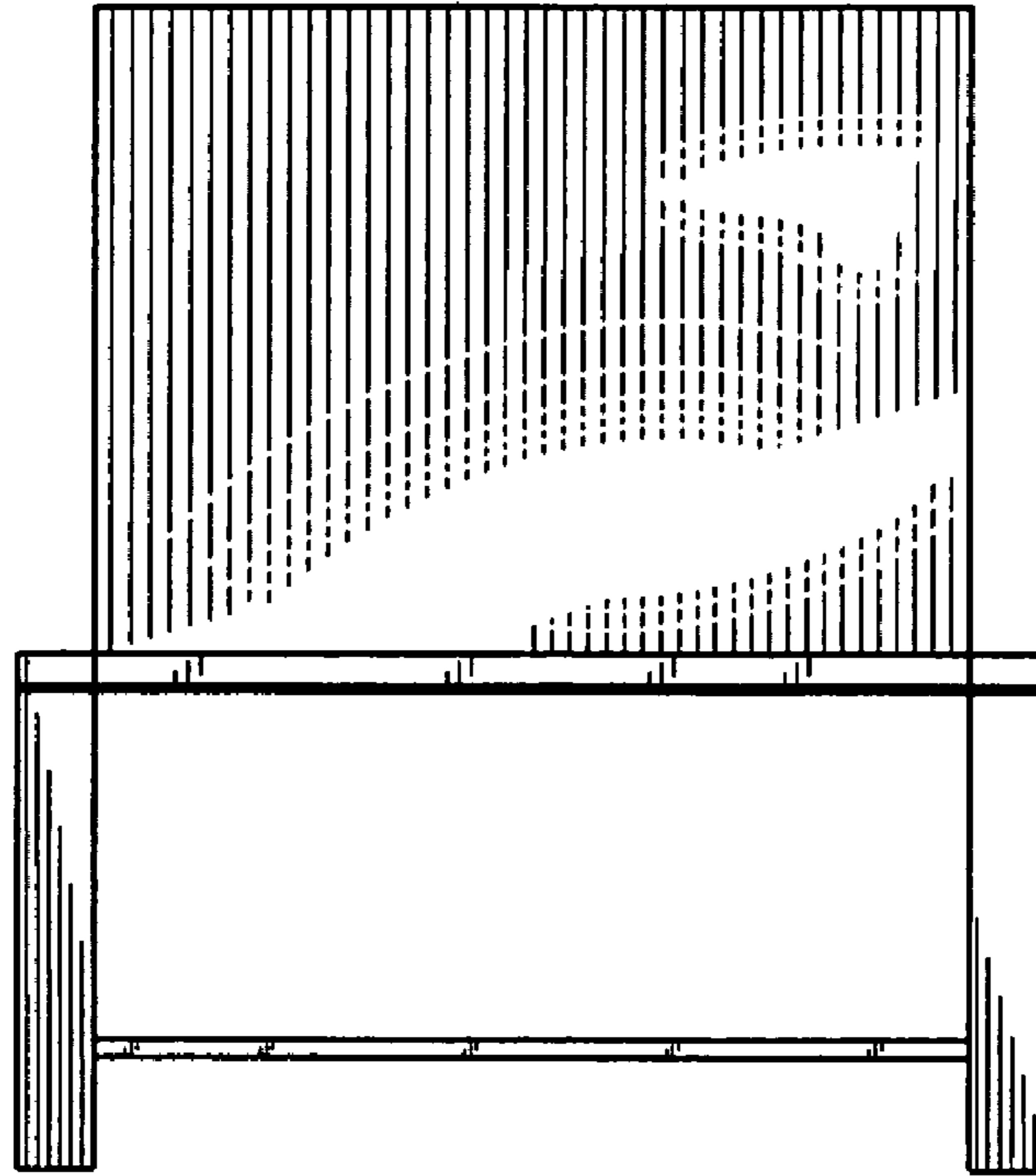


Fig. 4

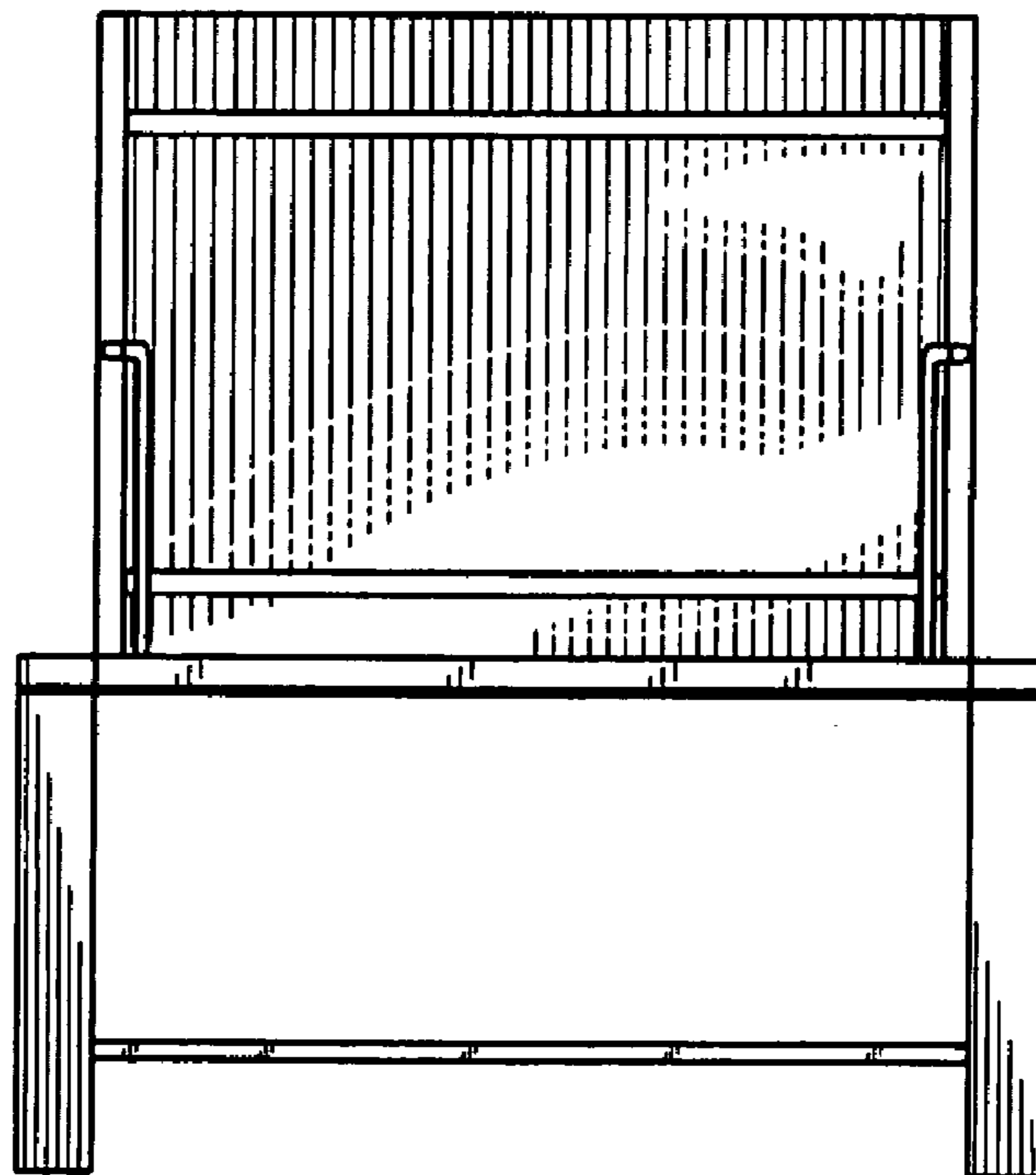


Fig. 5

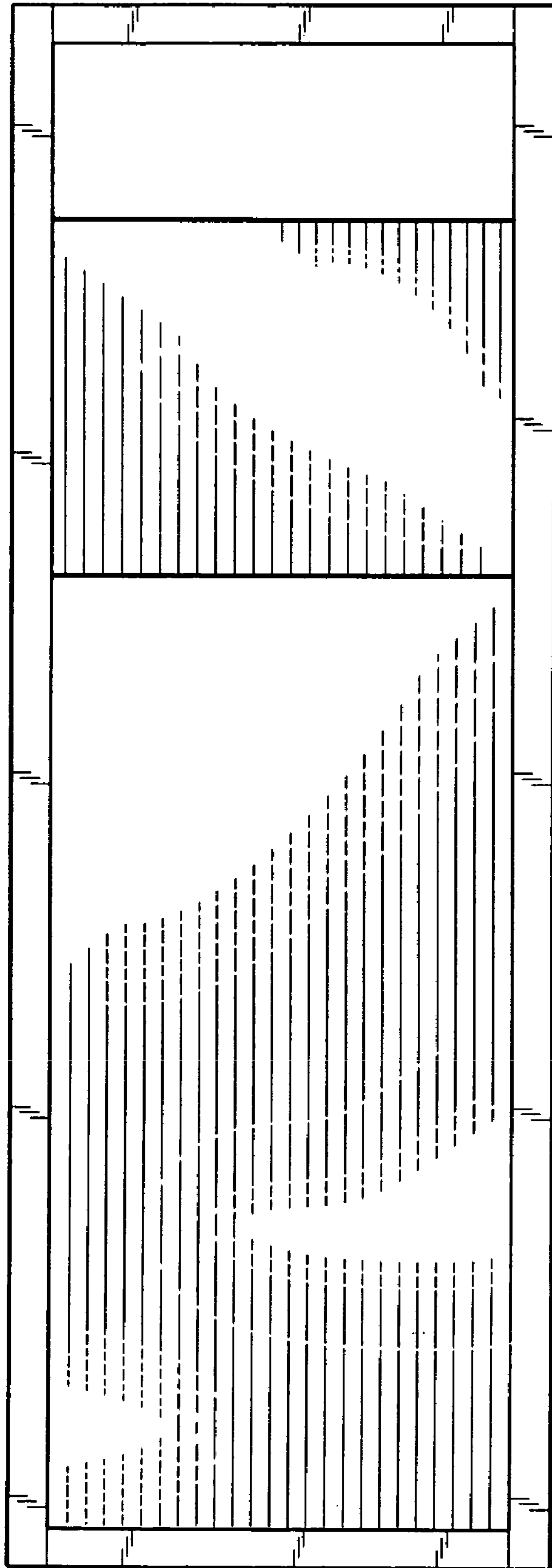


Fig. 6

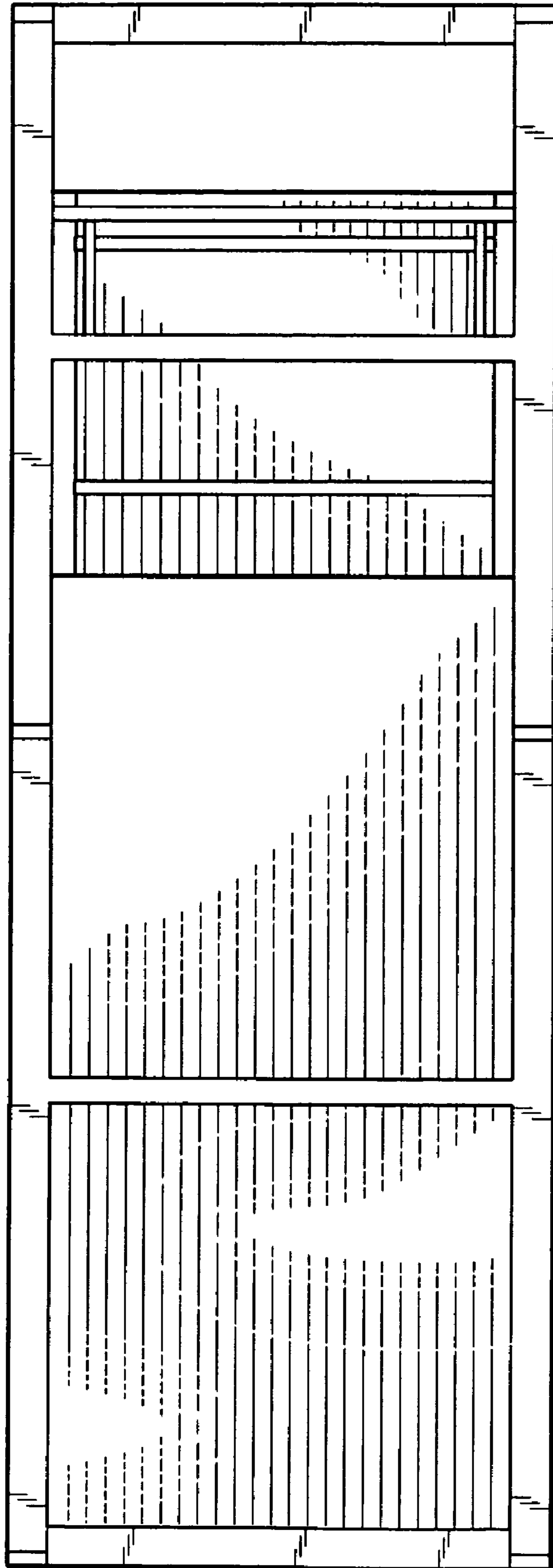


Fig. 7