

US00D545578S

(12) **United States Design Patent**
Ishikawa

(10) **Patent No.:** **US D545,578 S**

(45) **Date of Patent:** **** Jul. 3, 2007**

(54) **CHILD'S CHAIR**

(75) Inventor: **Takeshi Ishikawa**, Toyoshina-machi
(JP)

(73) Assignee: **Handysitt A/S**, Billund (DK)

(**) Term: **14 Years**

(21) Appl. No.: **29/219,315**

(22) Filed: **Dec. 16, 2004**

(30) **Foreign Application Priority Data**

Jun. 18, 2004 (EM) 000193354

(51) **LOC (8) Cl.** **06-01**

(52) **U.S. Cl.** **D6/333**

(58) **Field of Classification Search** D6/333,
D6/356, 334, 335, 367, 344, 348, 374, 375,
D6/361, 500-503, 601; 297/16.1, 32, 184.3,
297/488, 467, 250.1, 250, 258.1, 260.1, 270,
297/344.23, 229, 18, 344.21, 374, 364, DIG. 11,
297/440.11, 452.13, 451.3, 440.15, 277, 452.34,
297/270.3, 255; D21/412; 5/118, 94; 224/275;
D12/129

See application file for complete search history.

(56) **References Cited**

U.S. PATENT DOCUMENTS

834,383 A * 10/1906 Johnson 297/152

1,192,798 A	*	7/1916	Scott	297/255
1,431,291 A	*	10/1922	Davis	297/255
1,641,952 A	*	9/1927	Abraham	297/255
1,641,953 A	*	9/1927	Abraham	297/255
2,399,792 A	*	5/1946	Copp	297/34
2,508,822 A	*	5/1950	Goldberg	297/255
2,676,644 A	*	4/1954	Homer et al.	297/256
2,924,266 A	*	2/1960	Goldberg	297/487
2,927,628 A	*	3/1960	Gill	248/585
5,123,377 A	*	6/1992	Edwards	119/28.5

* cited by examiner

Primary Examiner—Janice E. Seeger

Assistant Examiner—Sydney R. Buffalow

(74) *Attorney, Agent, or Firm*—Dykema Gossett PLLC

(57) **CLAIM**

The ornamental design for a child's chair, as shown and described.

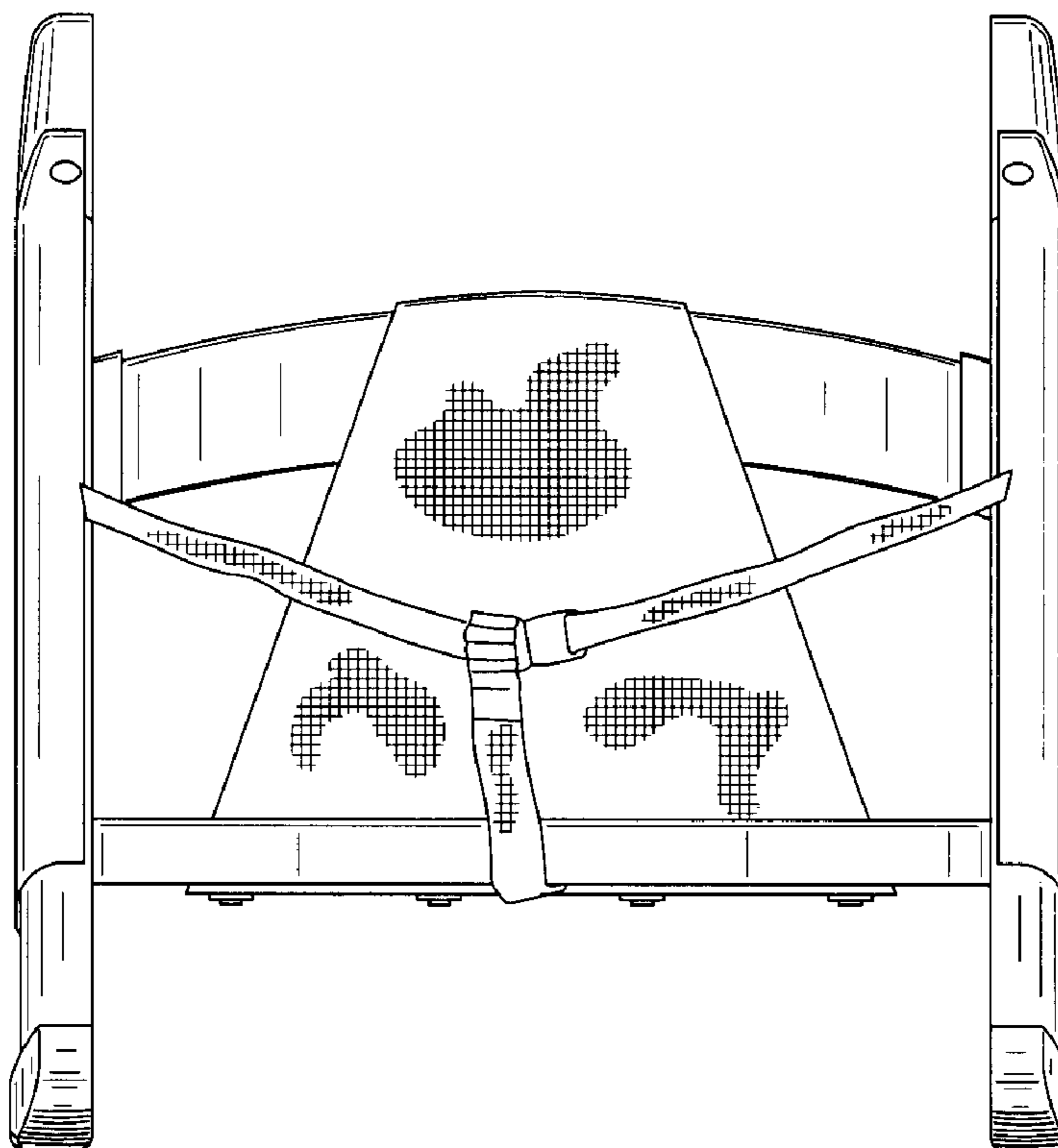
DESCRIPTION

FIG. 1 is a front elevational view of a child's chair showing my new design,

FIG. 2 is a perspective view thereof; and,

FIG. 3 is a right side elevational view thereof.

1 Claim, 3 Drawing Sheets



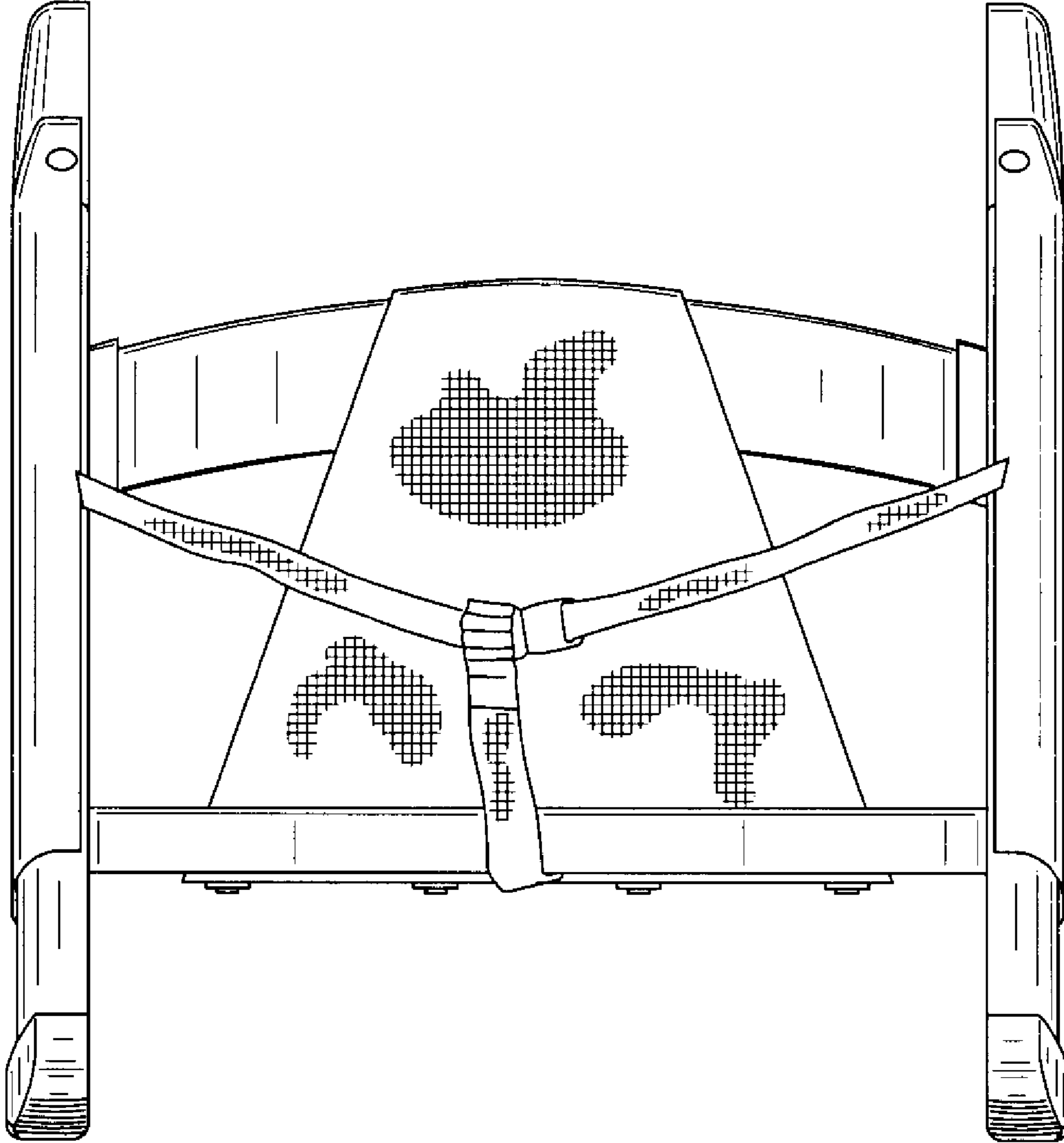


FIG. 1

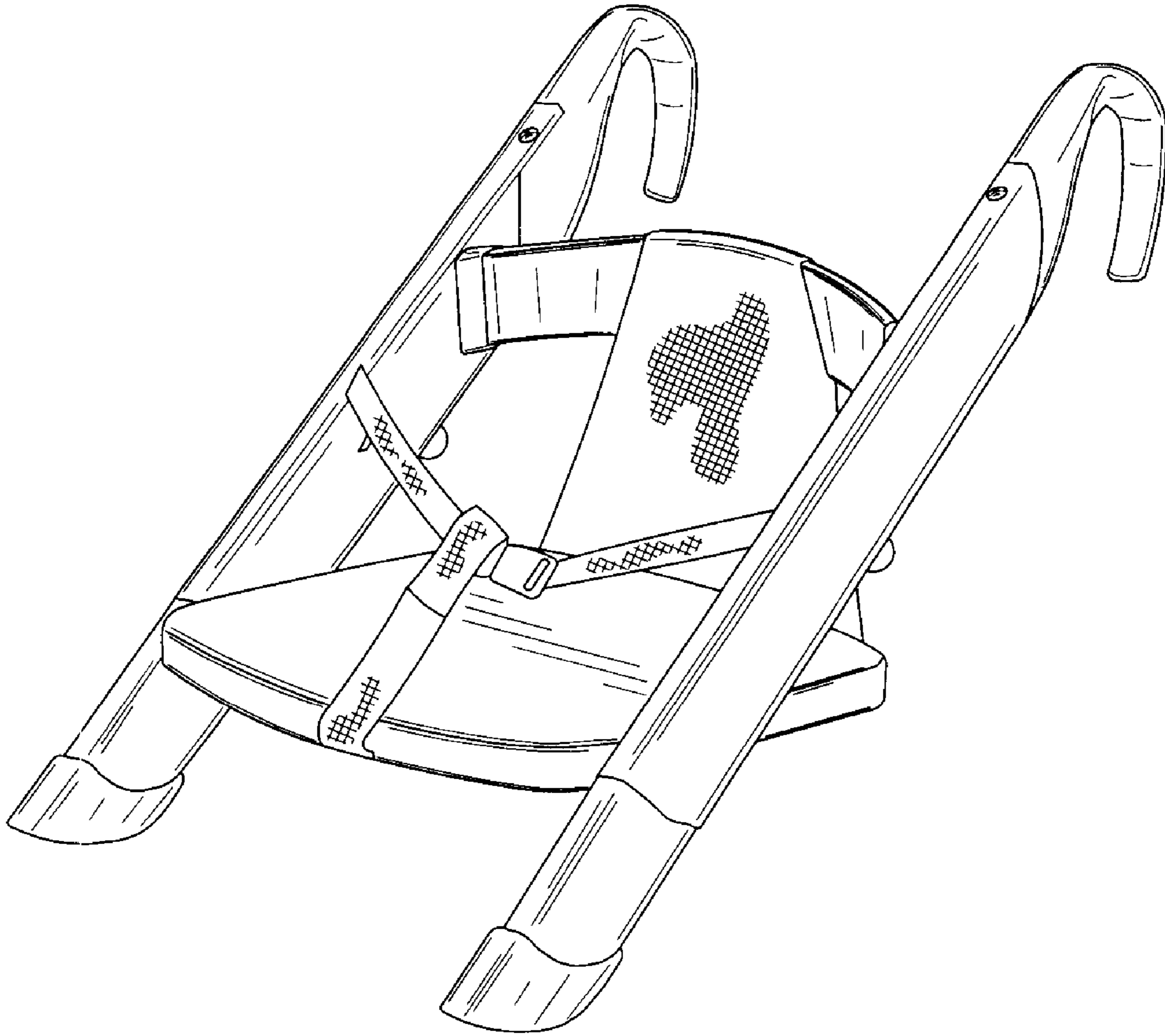


FIG. 2

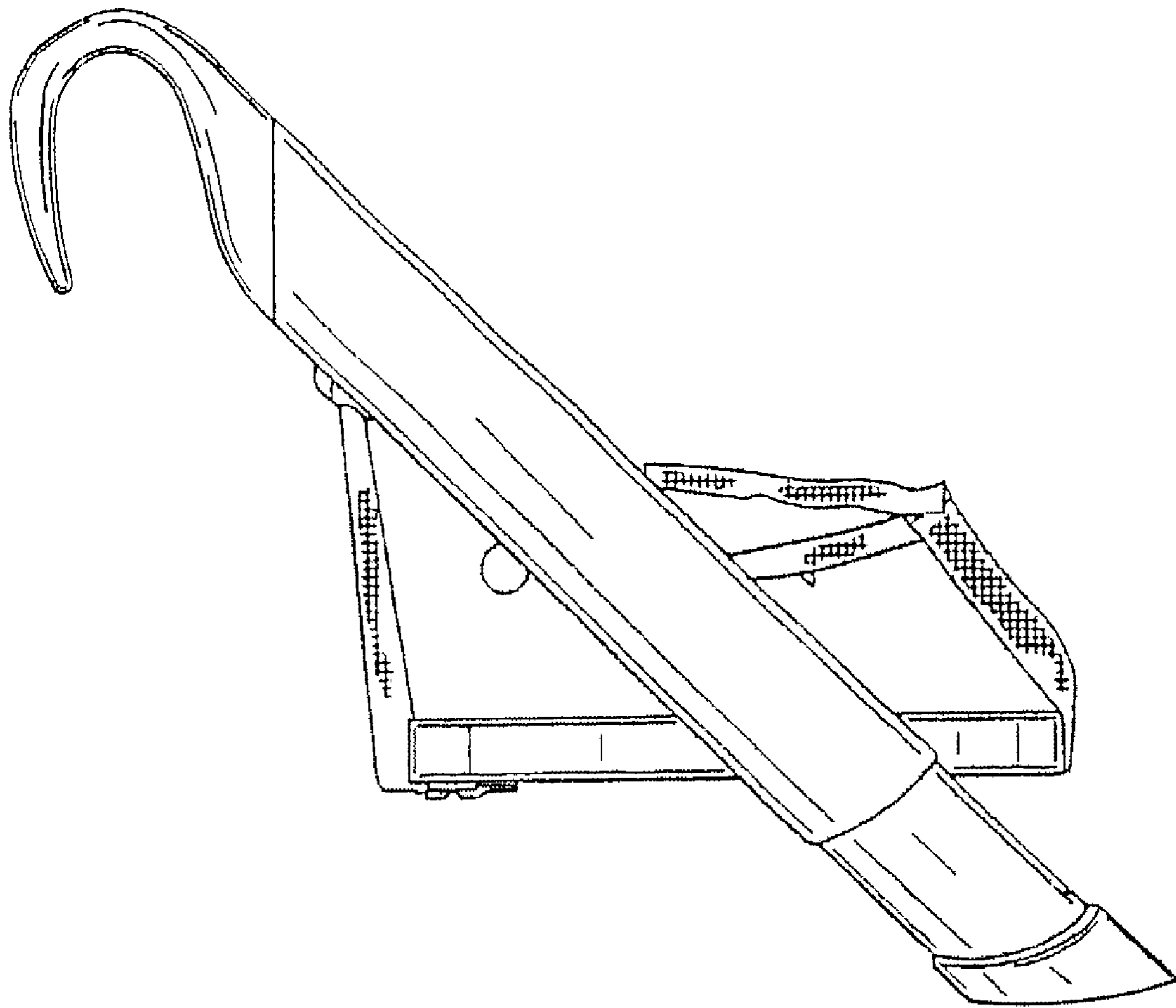


FIG. 3