

US00D545568S

(12) **United States Design Patent**  
**Laga et al.**

(10) **Patent No.:** **US D545,568 S**

(45) **Date of Patent:** **\*\* Jul. 3, 2007**

(54) **SAW BLADE HOLDER**

(75) Inventors: **Kenneth Laga**, Emmaus, PA (US);  
**Paul W Havens**, Greenville, SC (US)

(73) Assignee: **Lehigh Consumer Products Corporation**, Macungie, PA (US)

(\*\*) Term: **14 Years**

(21) Appl. No.: **29/238,174**

(22) Filed: **Sep. 12, 2005**

(51) **LOC (8) Cl.** ..... **03-01**

(52) **U.S. Cl.** ..... **D3/315; D6/553**

(58) **Field of Classification Search** ..... D6/553-574;  
D3/315, 905, 272-273; D9/415; 206/372-373,  
206/303; 220/481; 211/13.1; 248/309.1  
See application file for complete search history.

(56) **References Cited**

**U.S. PATENT DOCUMENTS**

D414,334 S *	9/1999	Remington et al. ....	D3/315
D466,692 S *	12/2002	Hargrave-Thomas ....	D3/315
D486,022 S *	2/2004	Shamoon .....	D6/553
D495,007 S *	8/2004	Stravitz .....	D6/567

\* cited by examiner

*Primary Examiner*—Brian N Vinson  
(74) *Attorney, Agent, or Firm*—Leydig, Voit & Mayer, Ltd.

(57) **CLAIM**

The ornamental design for the saw blade holder, as shown and described.

**DESCRIPTION**

FIG. 1 is a front, top and left side perspective view of a saw blade holder, showing our new design;

FIG. 2 is another front, top and left side perspective view thereof showing the method of placement of saw blades therein;

FIG. 3 is a front elevational view thereof;

FIG. 4 is a rear elevational view thereof;

FIG. 5 is a top plan view thereof;

FIG. 6 is a bottom plan view thereof;

FIG. 7 is a left side elevational view thereof; and,

FIG. 8 is a right side elevational view thereof.

The broken line showing of support pins and prongs in the drawings, as well as the broken line showing of saw blades in FIG. 2, are for illustrative purposes only and form no part of the claimed design.

**1 Claim, 8 Drawing Sheets**

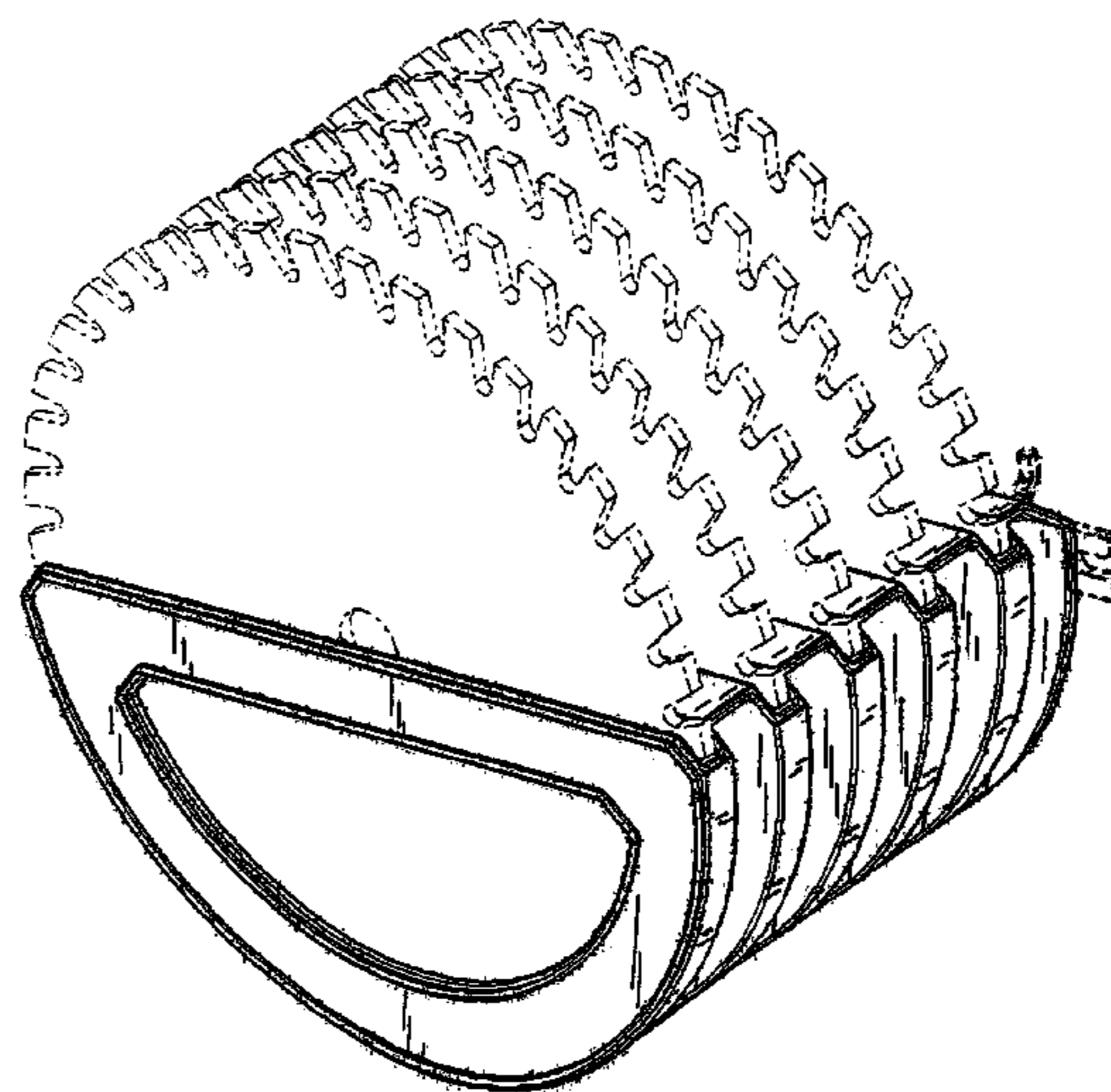
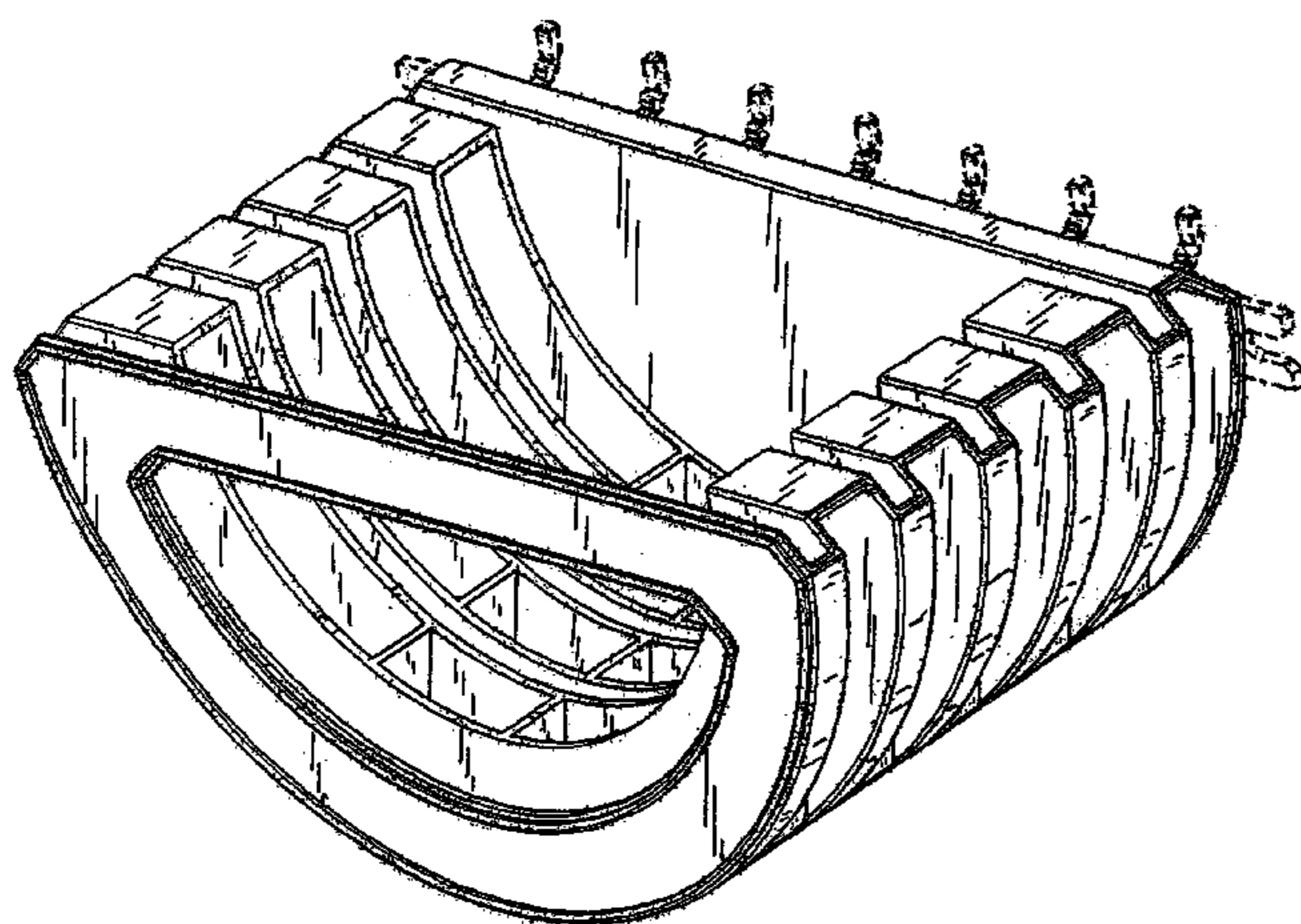


FIG. 1

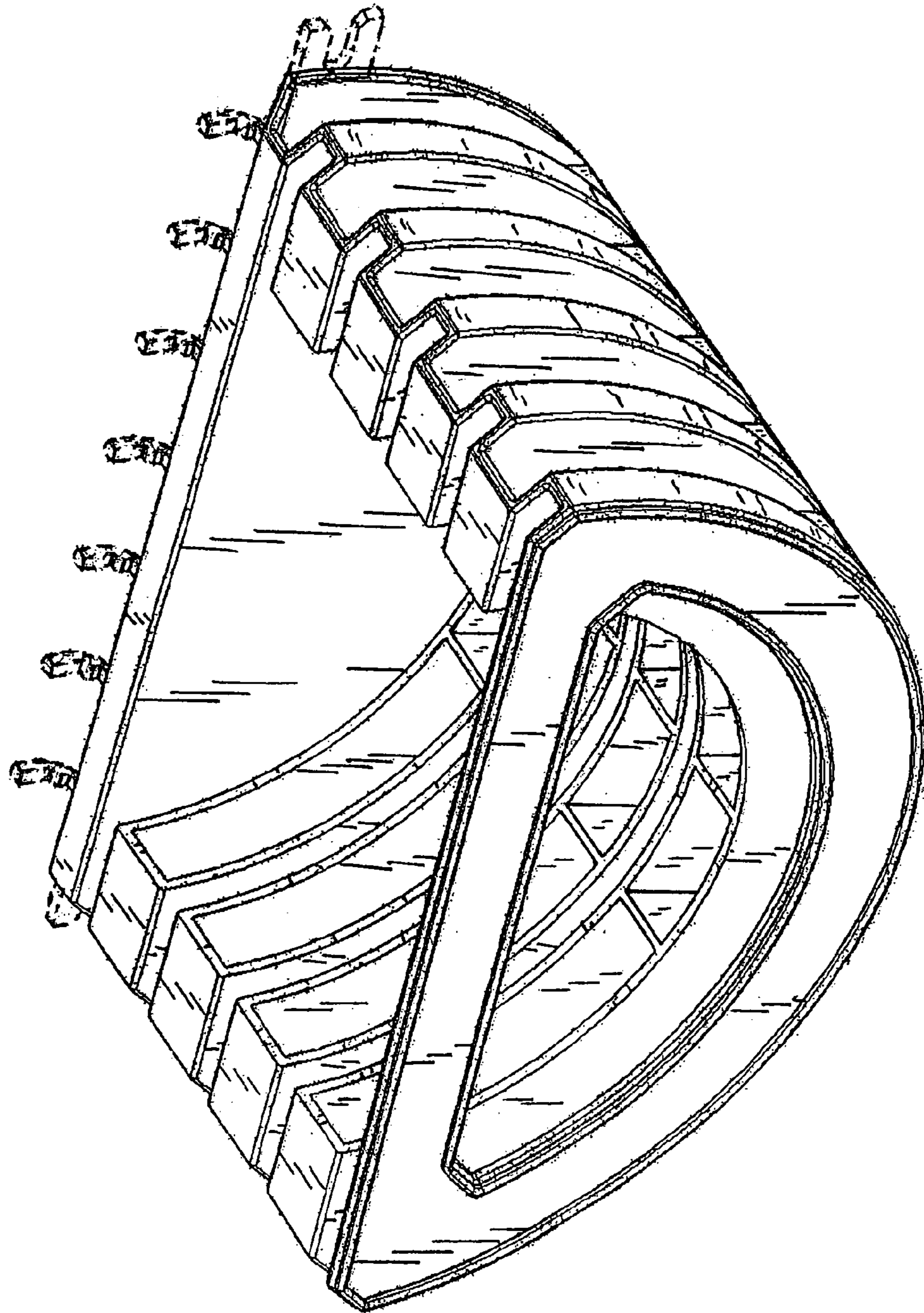




FIG. 2

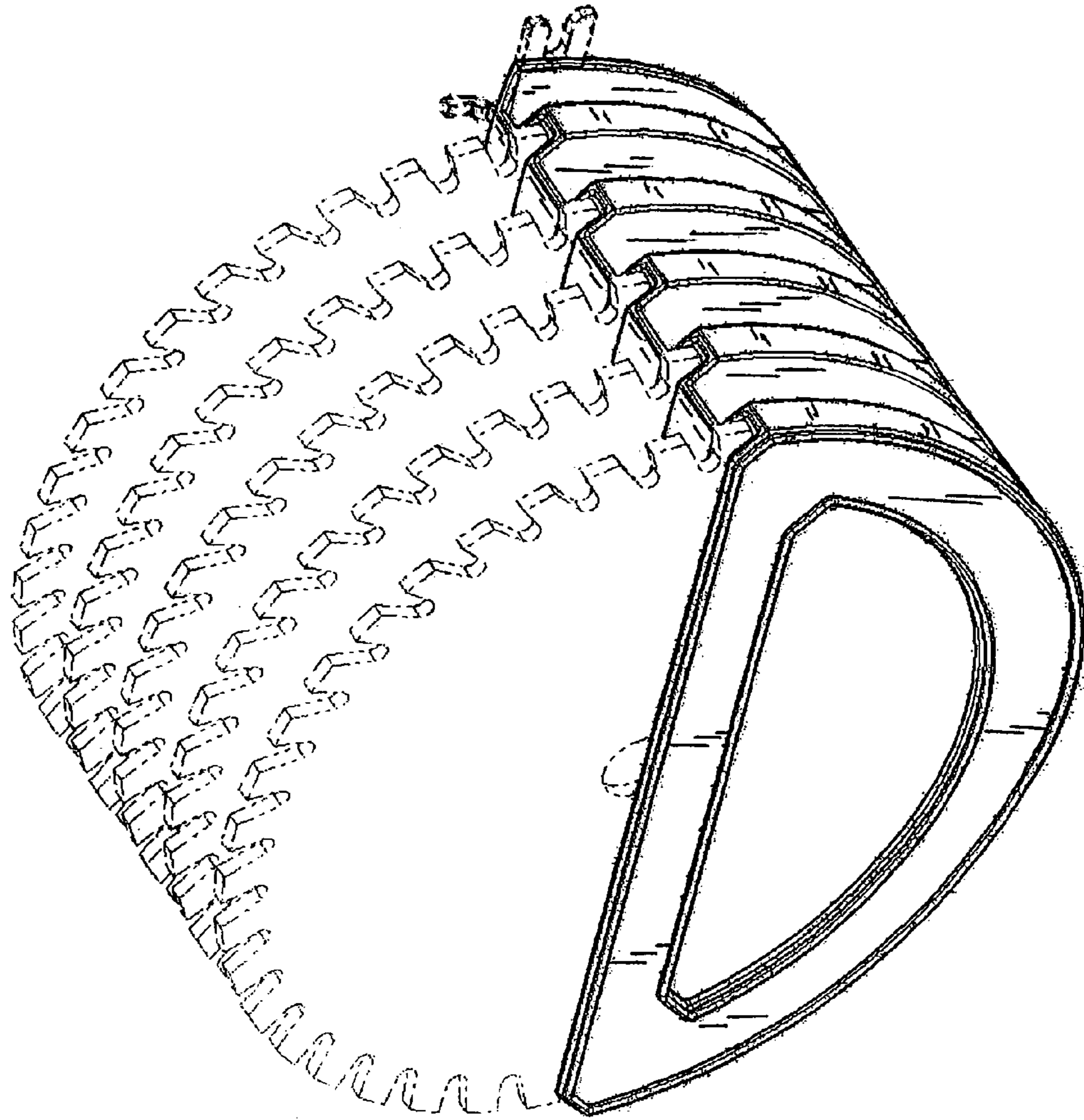


FIG. 3

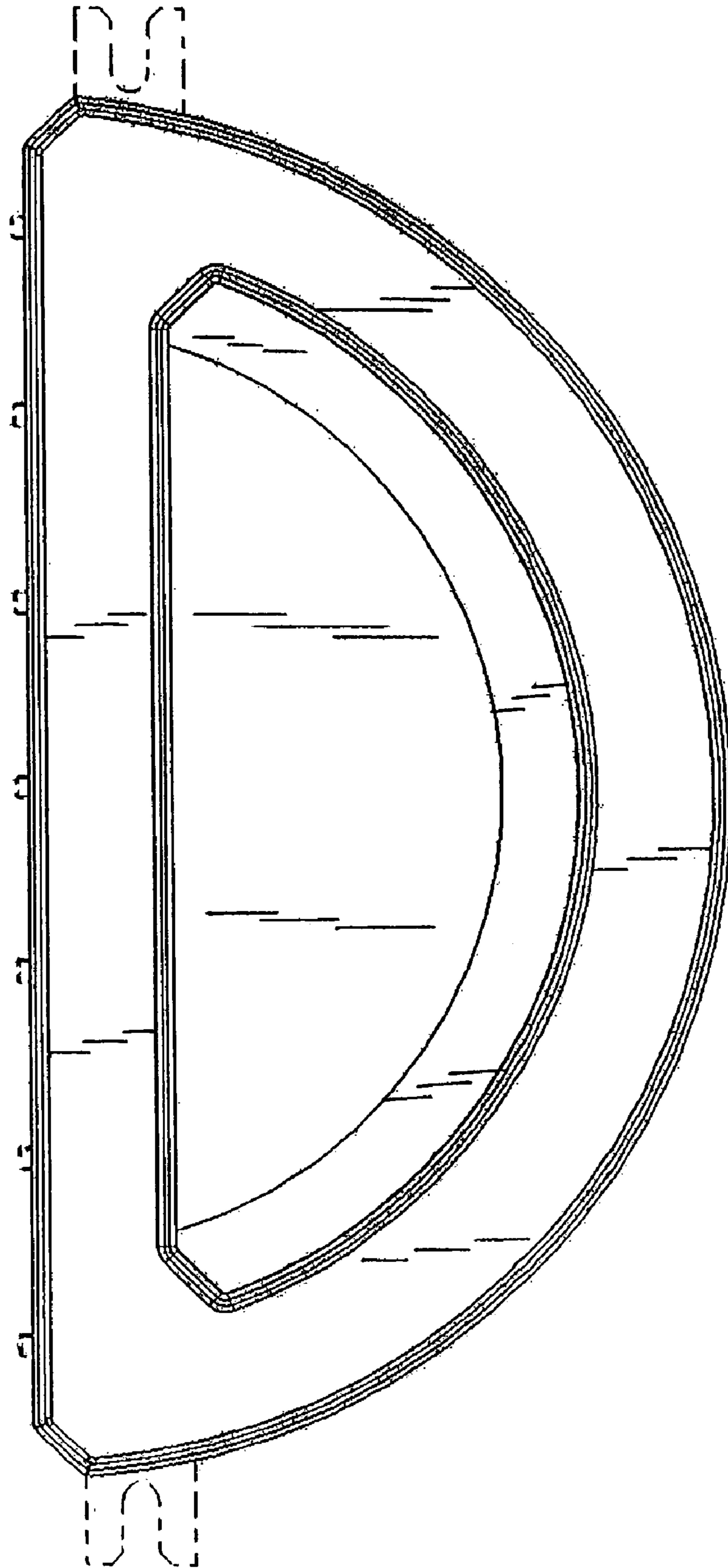


FIG. 4

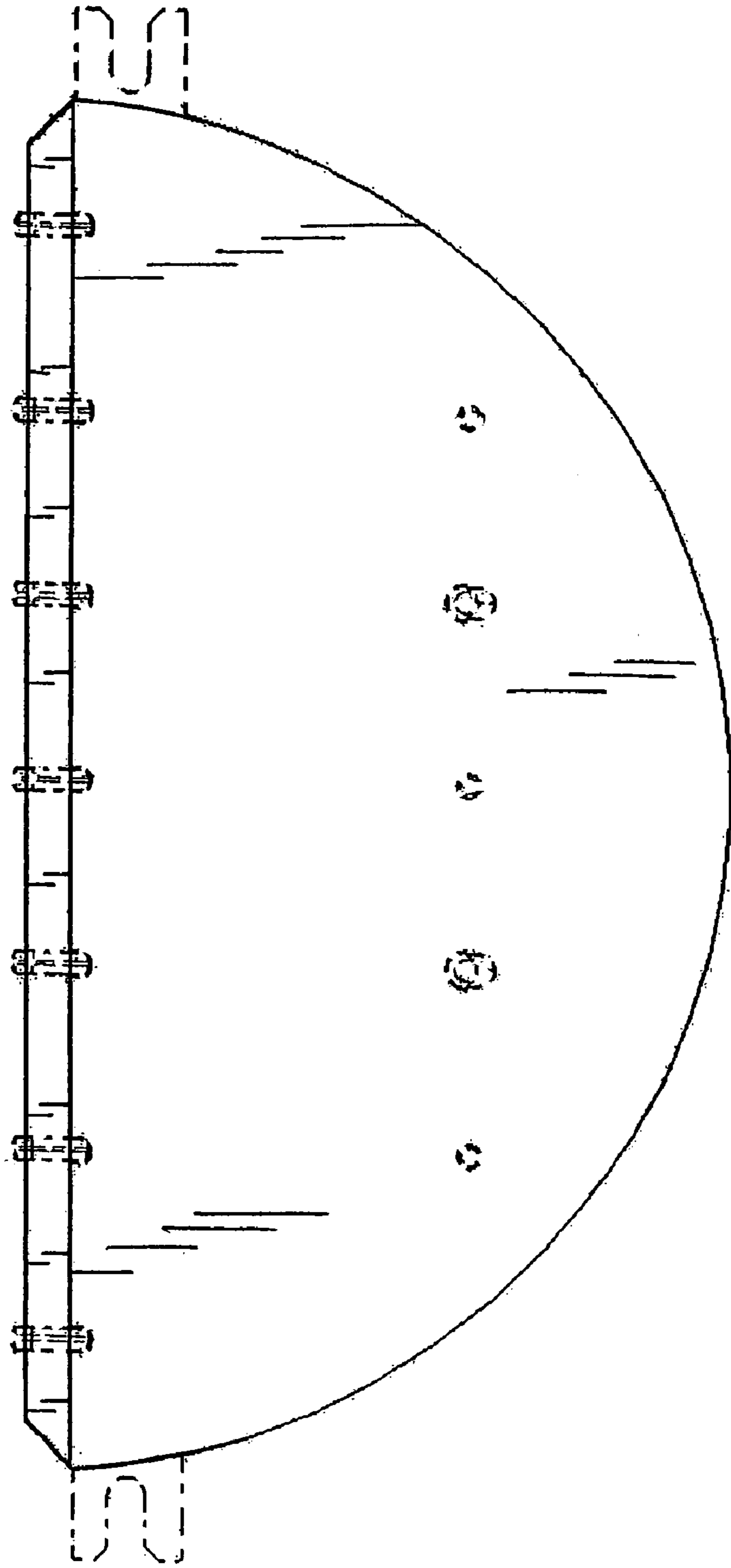


FIG. 5

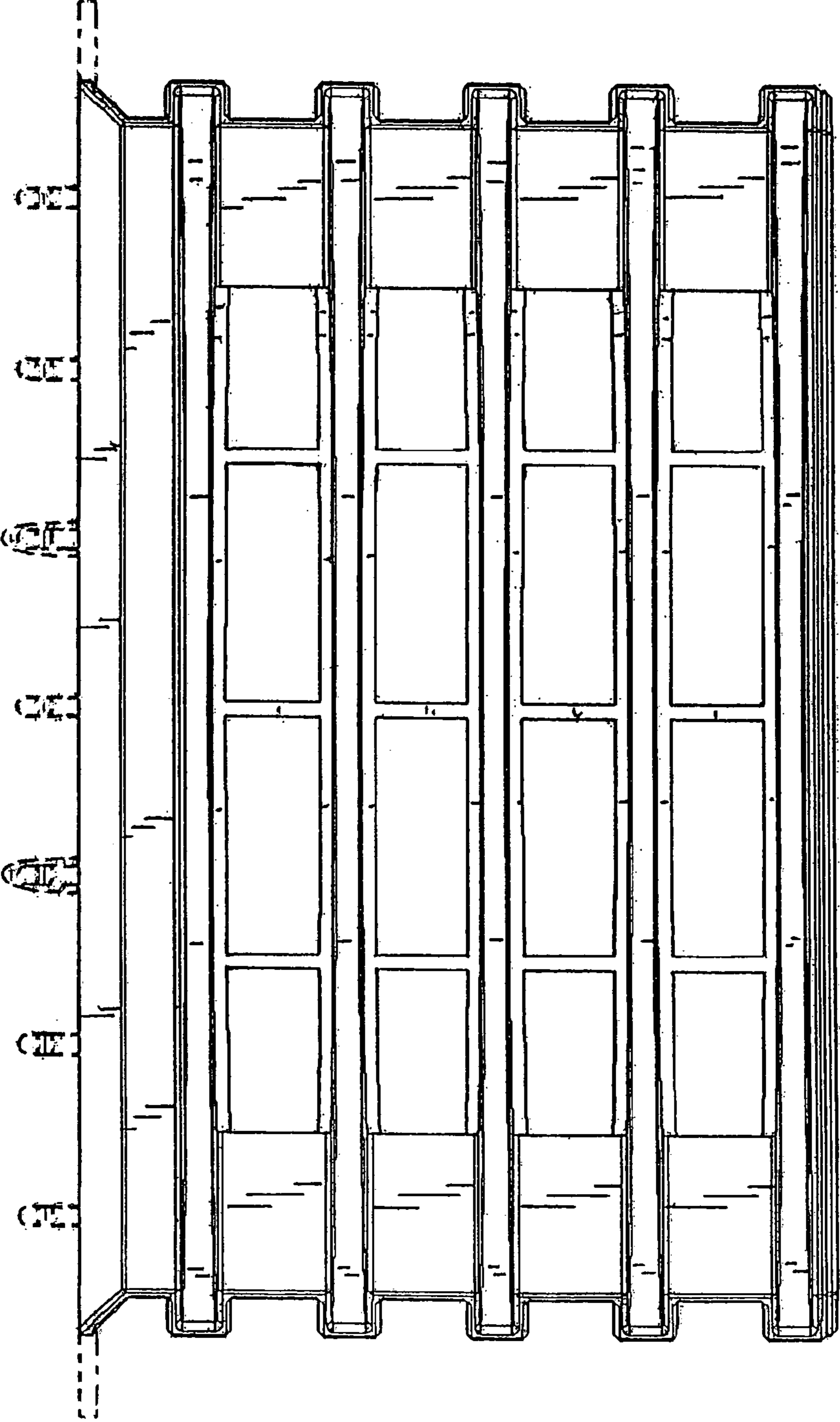


FIG. 6

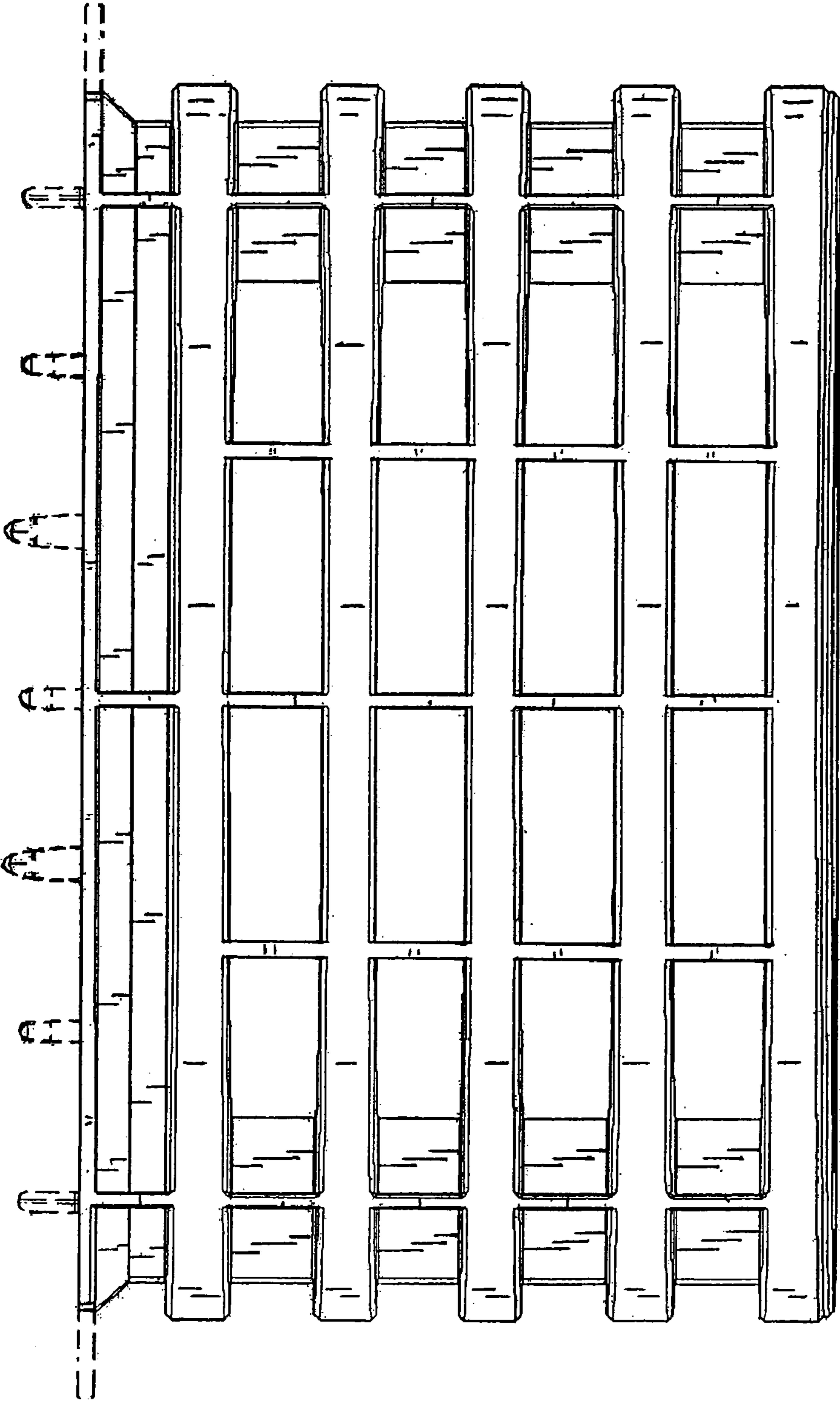


FIG. 7

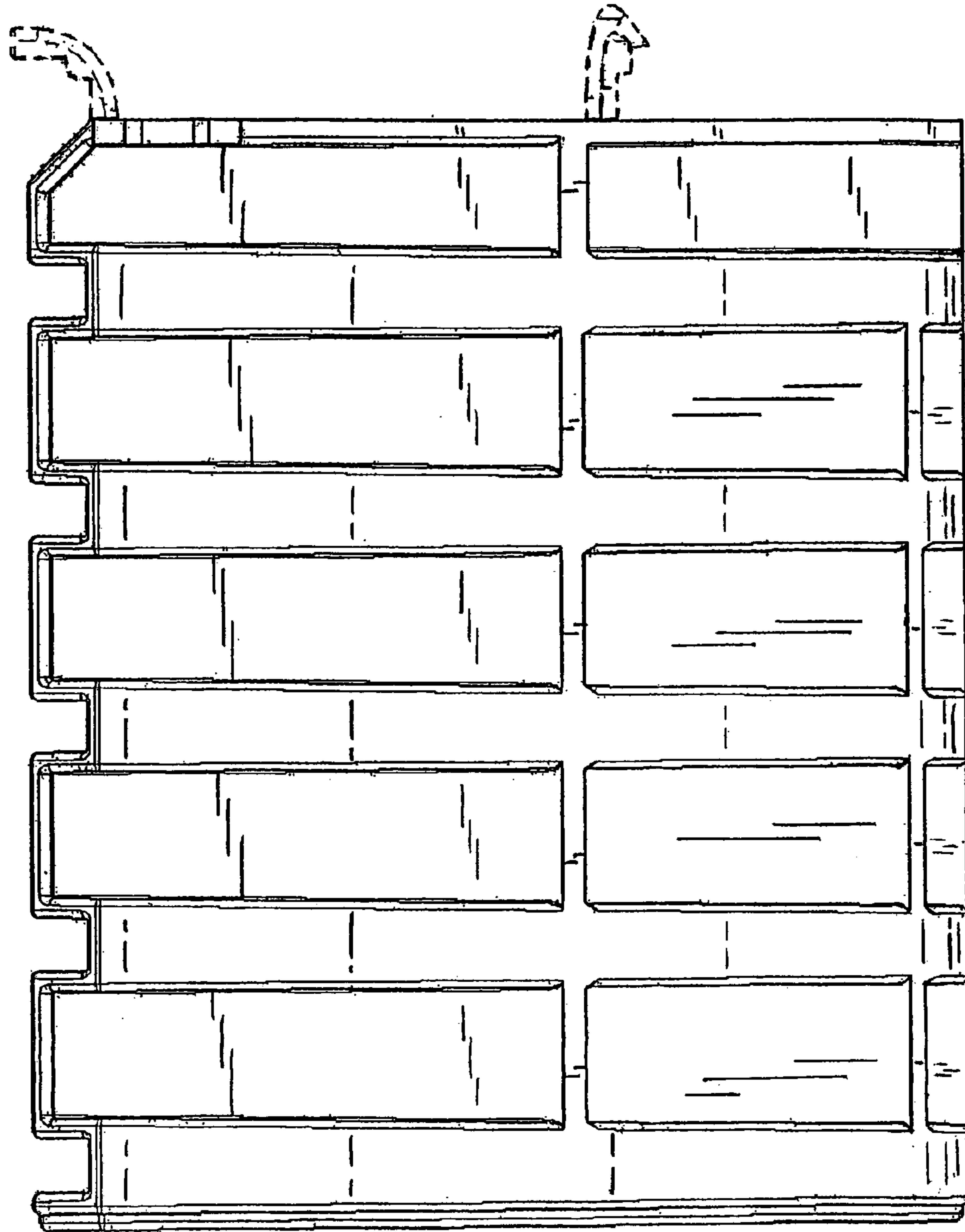




FIG. 8

