

US00D545566S

(12) **United States Design Patent**
Guyon

(10) **Patent No.:** **US D545,566 S**

(45) **Date of Patent:** **** Jul. 3, 2007**

(54) **HANDBAG**

(75) Inventor: **Isabelle Guyon**, Paris (FR)

(73) Assignee: **S.A.S. Jean Cassegrain**, Paris (FR)

(**) Term: **14 Years**

(21) Appl. No.: **29/268,000**

(22) Filed: **Oct. 26, 2006**

(51) **LOC (8) Cl.** **03-01**

(52) **U.S. Cl.** **D3/233**

(58) **Field of Classification Search** 383/2,
383/6, 12, 14, 22, 24, 37, 38, 39, 40, 41,
383/42, 104, 120, 121.1; D3/232, 233, 234,
D3/235, 238, 240, 241, 242, 245, 246, 303;
150/100, 106, 107, 110, 111, 112, 117, 118,
150/119; 190/100, 103, 104, 105, 110, 111,
190/112, 115, 900, 901, 903

See application file for complete search history.

(56) **References Cited**

U.S. PATENT DOCUMENTS

3,830,348 A *	8/1974	Ohyama	190/110
5,413,199 A *	5/1995	Clement	190/119
D461,633 S *	8/2002	Guyon	D3/246
D510,799 S *	10/2005	Cassegrain	D3/233
D531,405 S *	11/2006	Tortorella	D3/246
D533,716 S *	12/2006	Brocart	D3/246

* cited by examiner

Primary Examiner—Louis S. Zarfes

Assistant Examiner—Monica A. Weingart

(74) *Attorney, Agent, or Firm*—Gottlieb, Rackman & Reisman, P.C.

(57) **CLAIM**

The ornamental design for a handbag, as shown and described.

DESCRIPTION

FIG. 1 is a bottom plan view of my new design, showing the handbag in a non-expanded condition;

FIG. 2 is a right side elevation view thereof;

FIG. 3 is a front elevation view thereof;

FIG. 4 is a left side elevation view thereof;

FIG. 5 is a rear elevation view thereof;

FIG. 6 is a top plan view thereof;

FIG. 7 is a bottom plan view of the design, similar to that of FIG. 1, but showing the handbag in an expanded condition;

FIG. 8 is a right side elevation view thereof;

FIG. 9 is a front elevation view thereof;

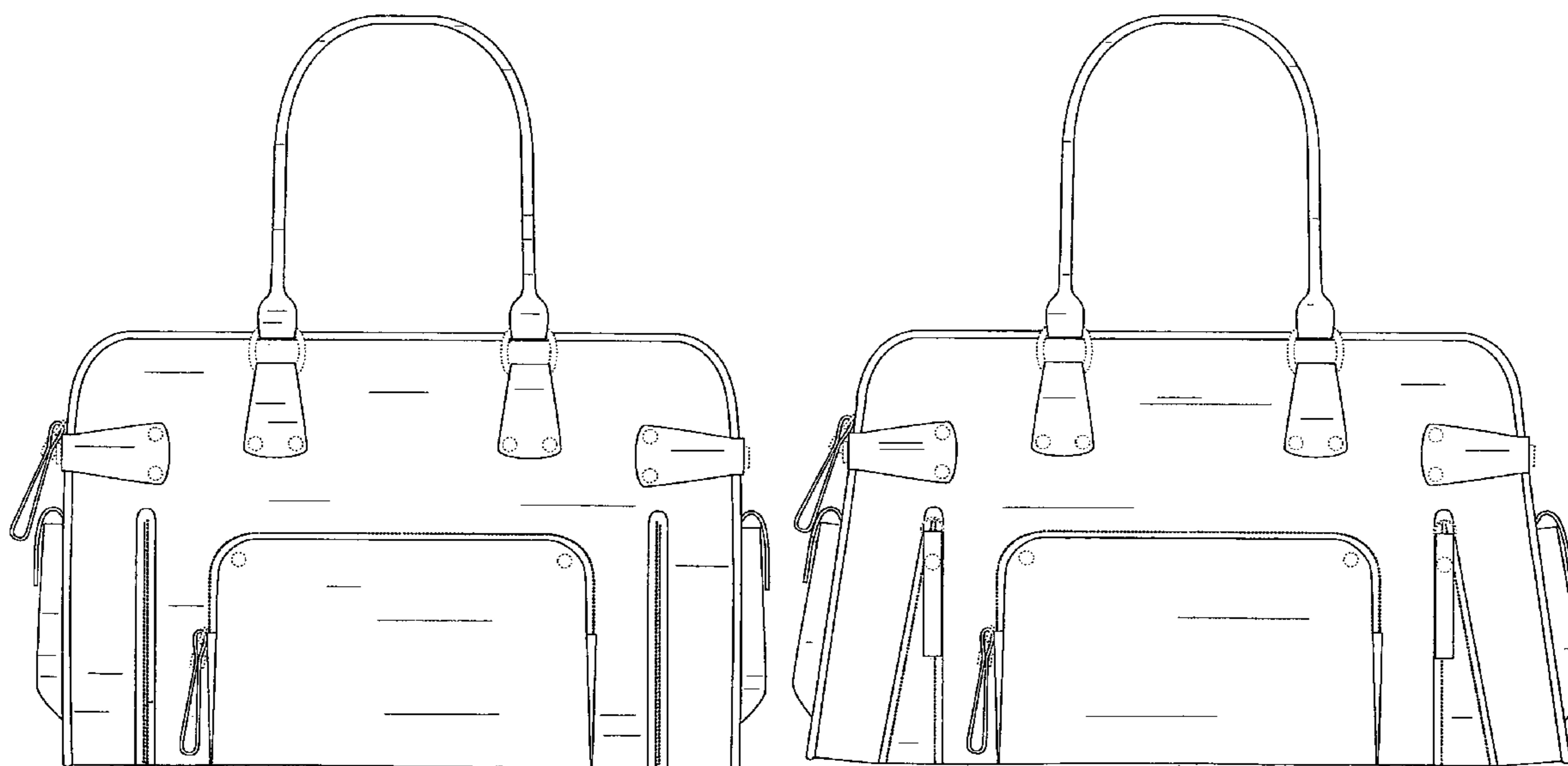
FIG. 10 is a left side elevation view thereof;

FIG. 11 is a rear elevation view thereof; and,

FIG. 12 is a top plan view thereof.

The broken line showing links in FIGS. 2–6 and 8–12 and showing other hardware in FIGS. 1–12 is for illustrative purposes only and forms no part of the claimed design.

1 Claim, 10 Drawing Sheets



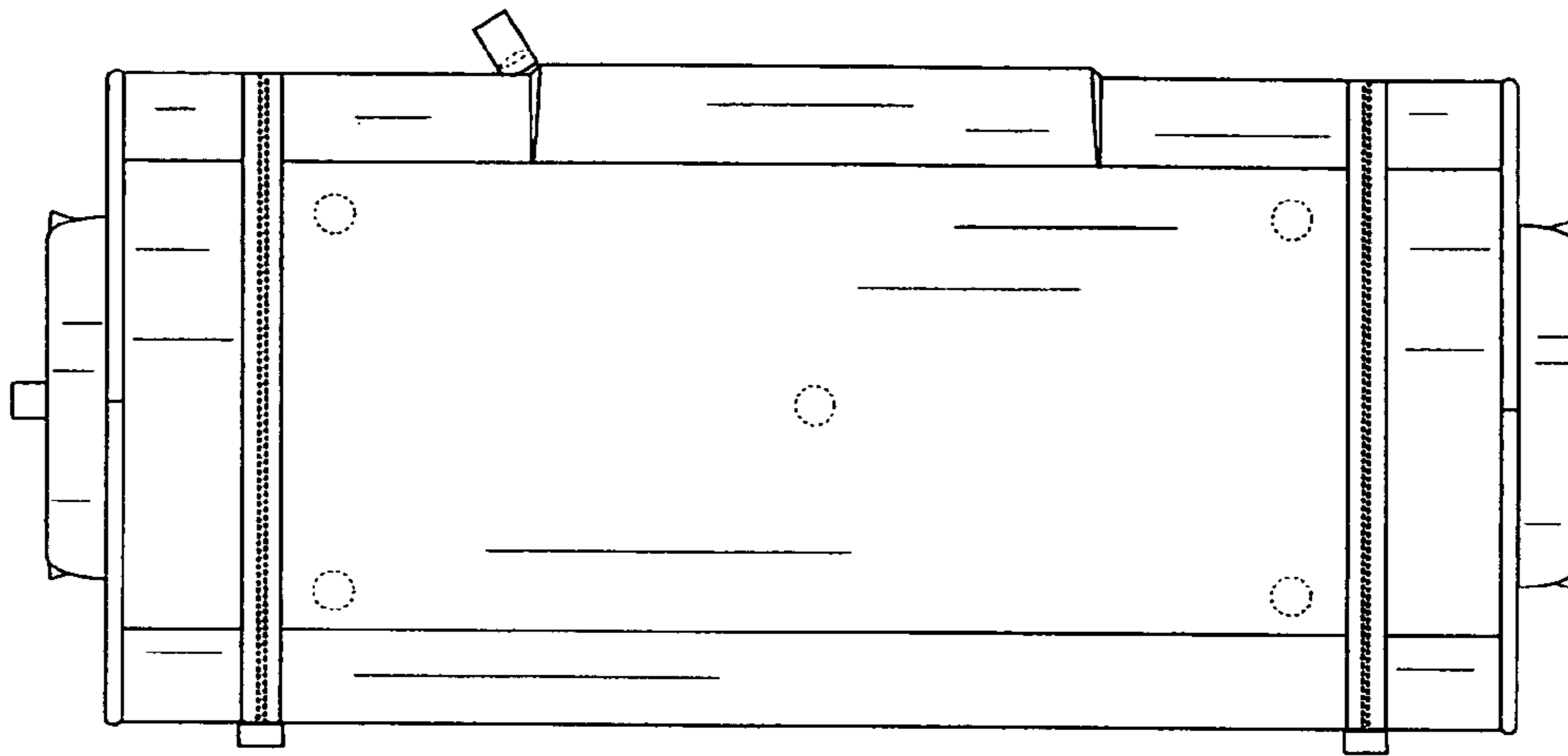


FIG. 1



FIG. 3

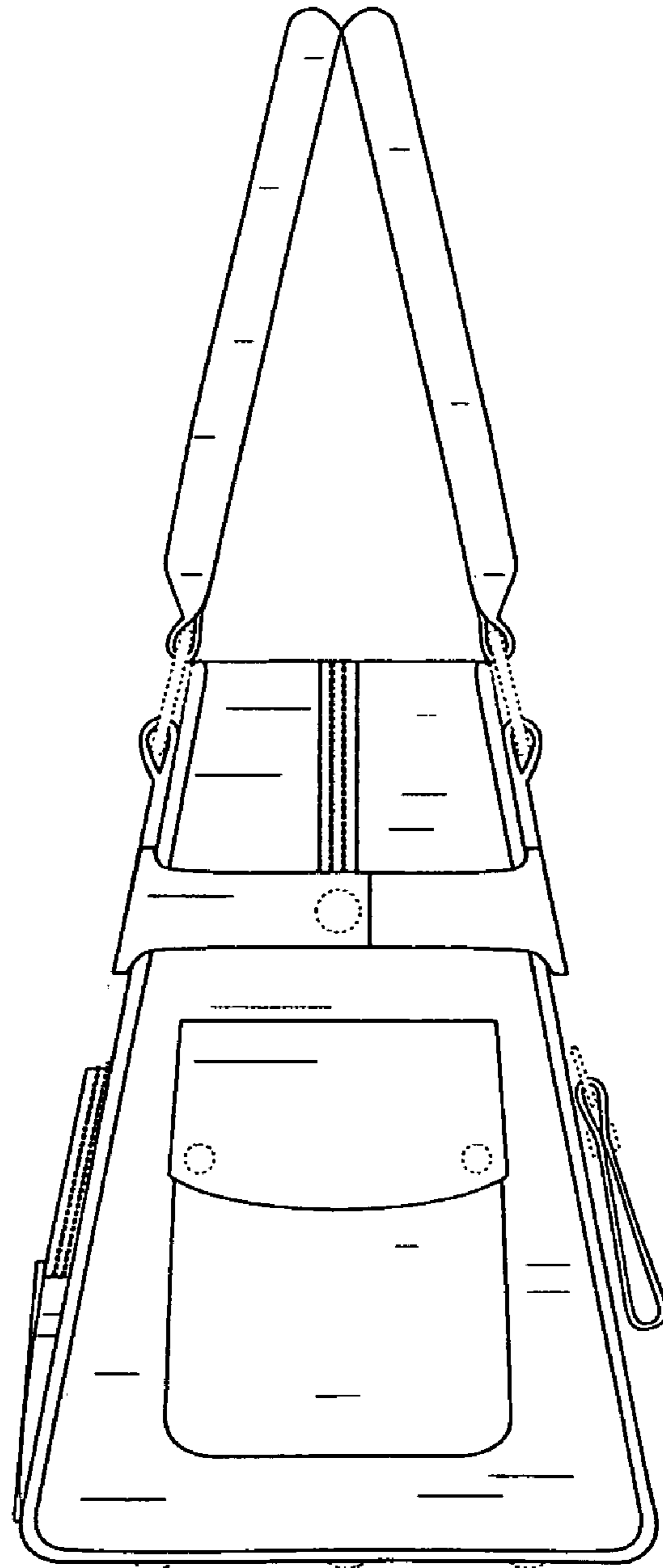


FIG. 2

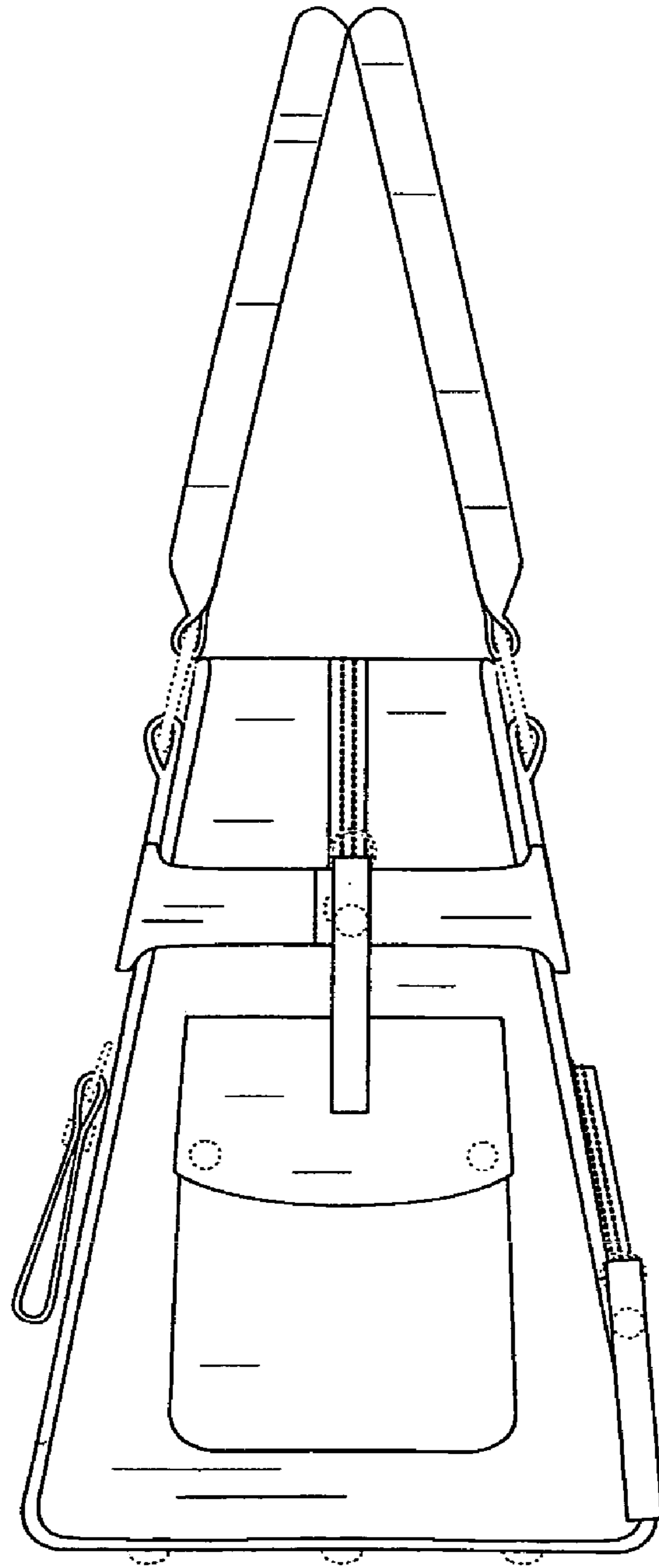


FIG. 4



FIG. 5

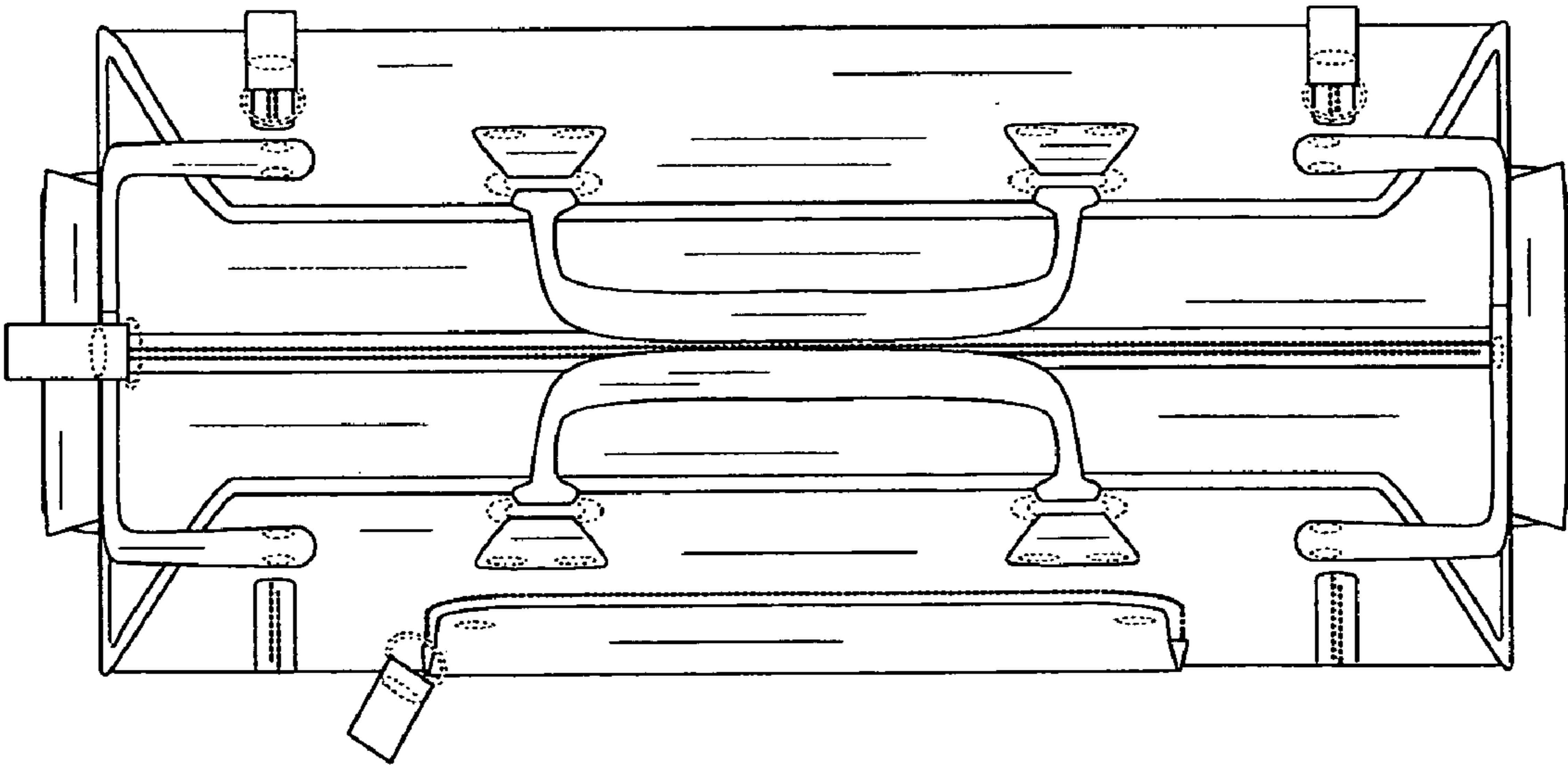


FIG. 6

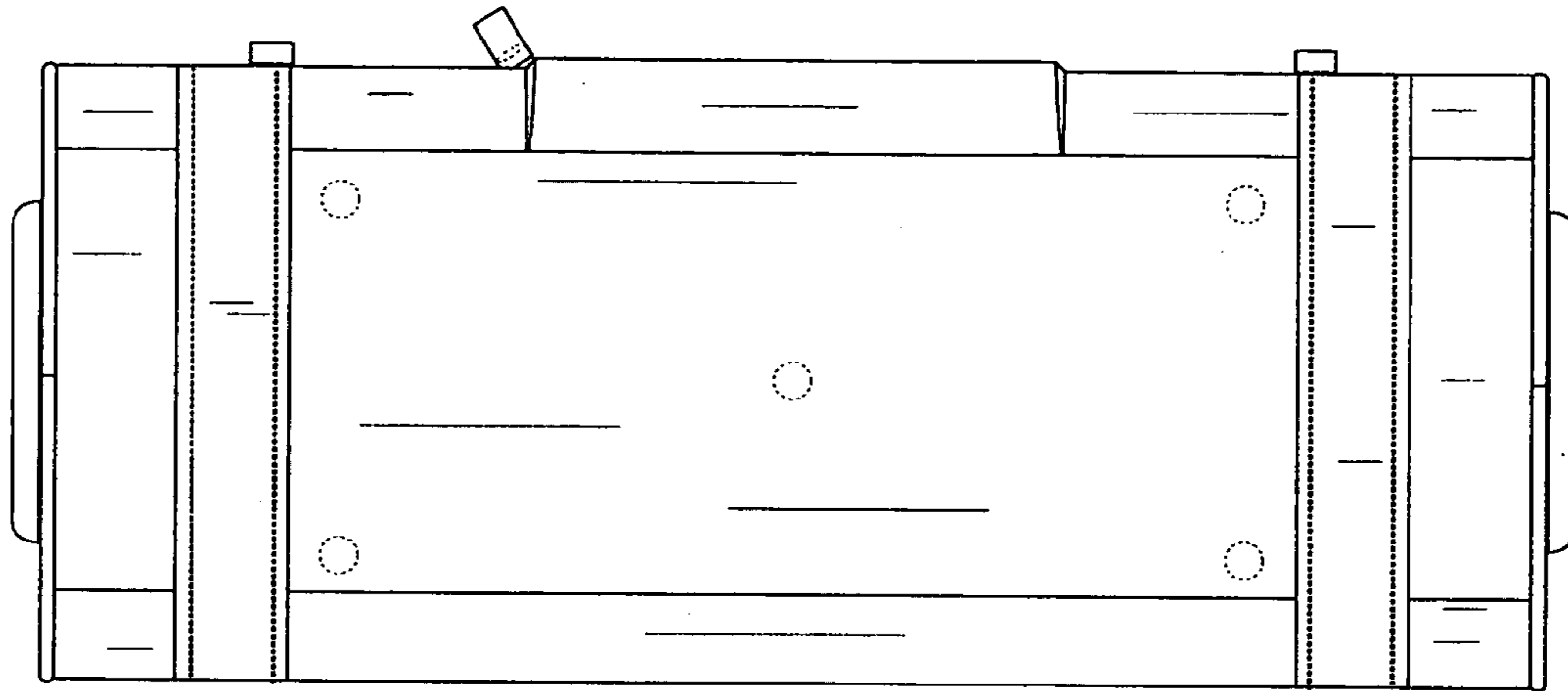


FIG. 7



FIG. 9

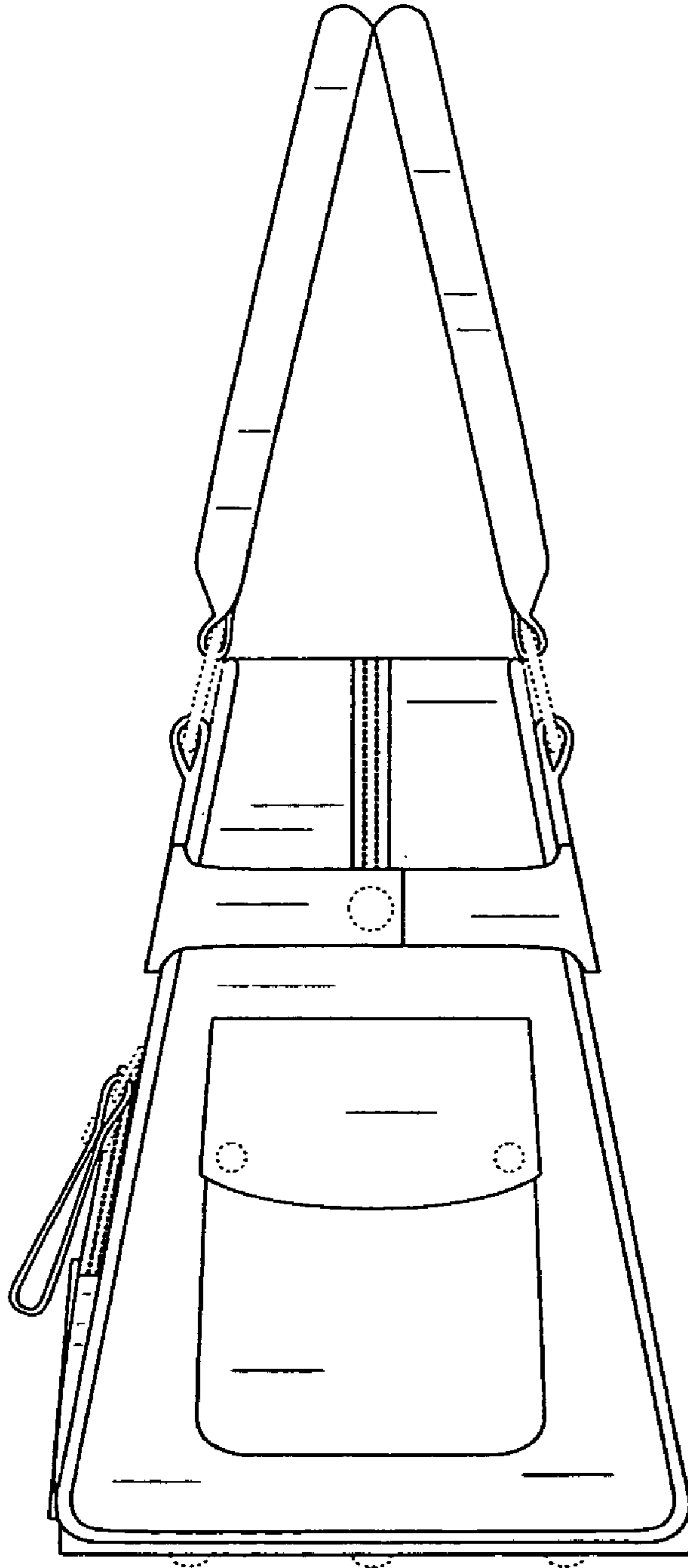


FIG. 8

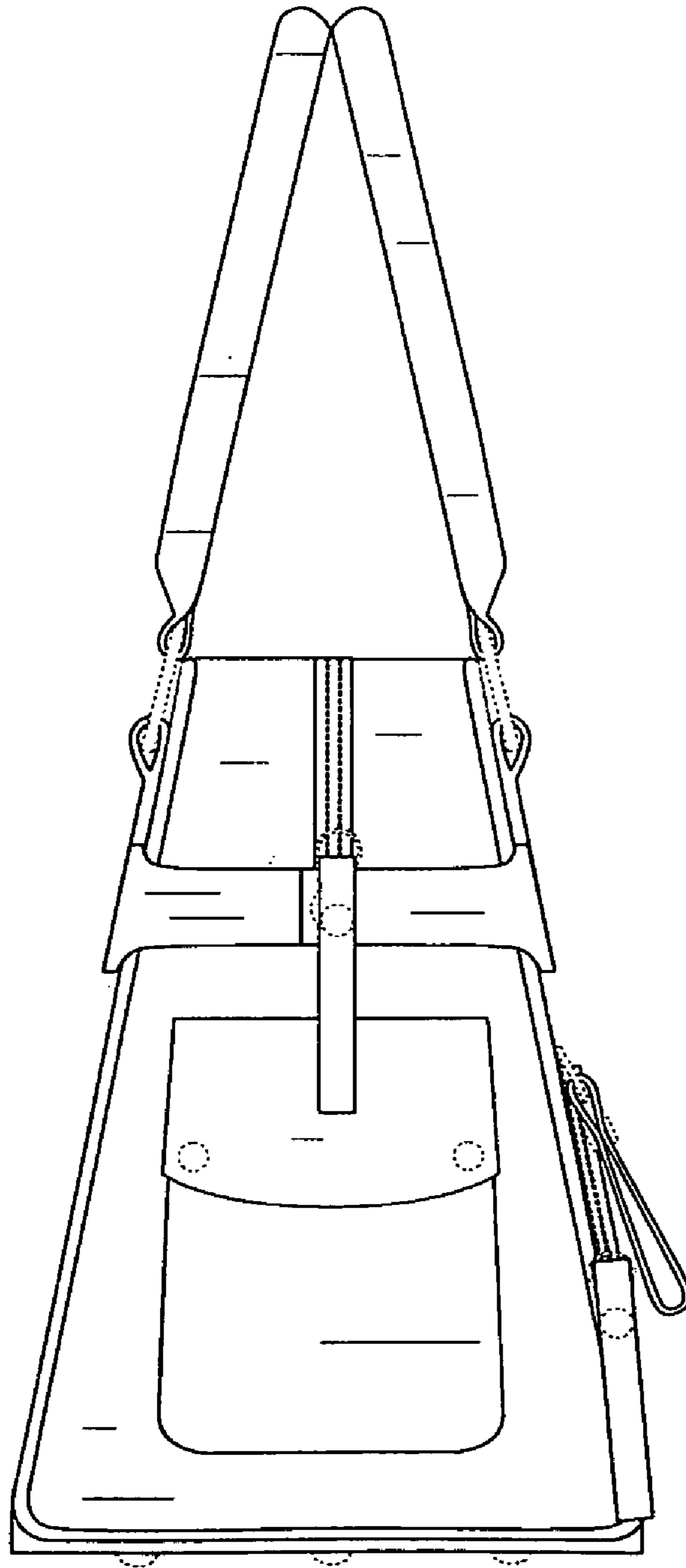


FIG. 10

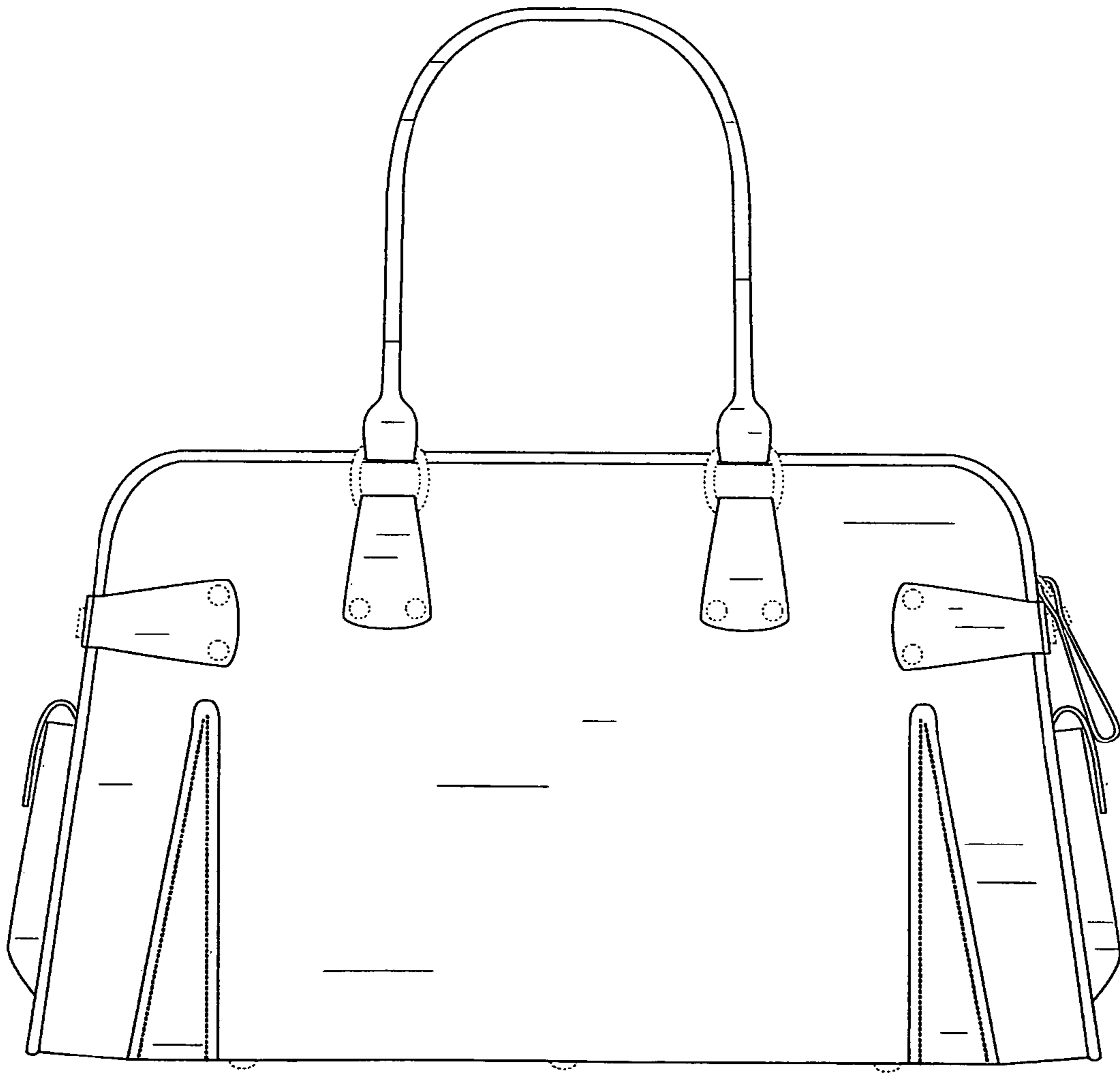


FIG. 11

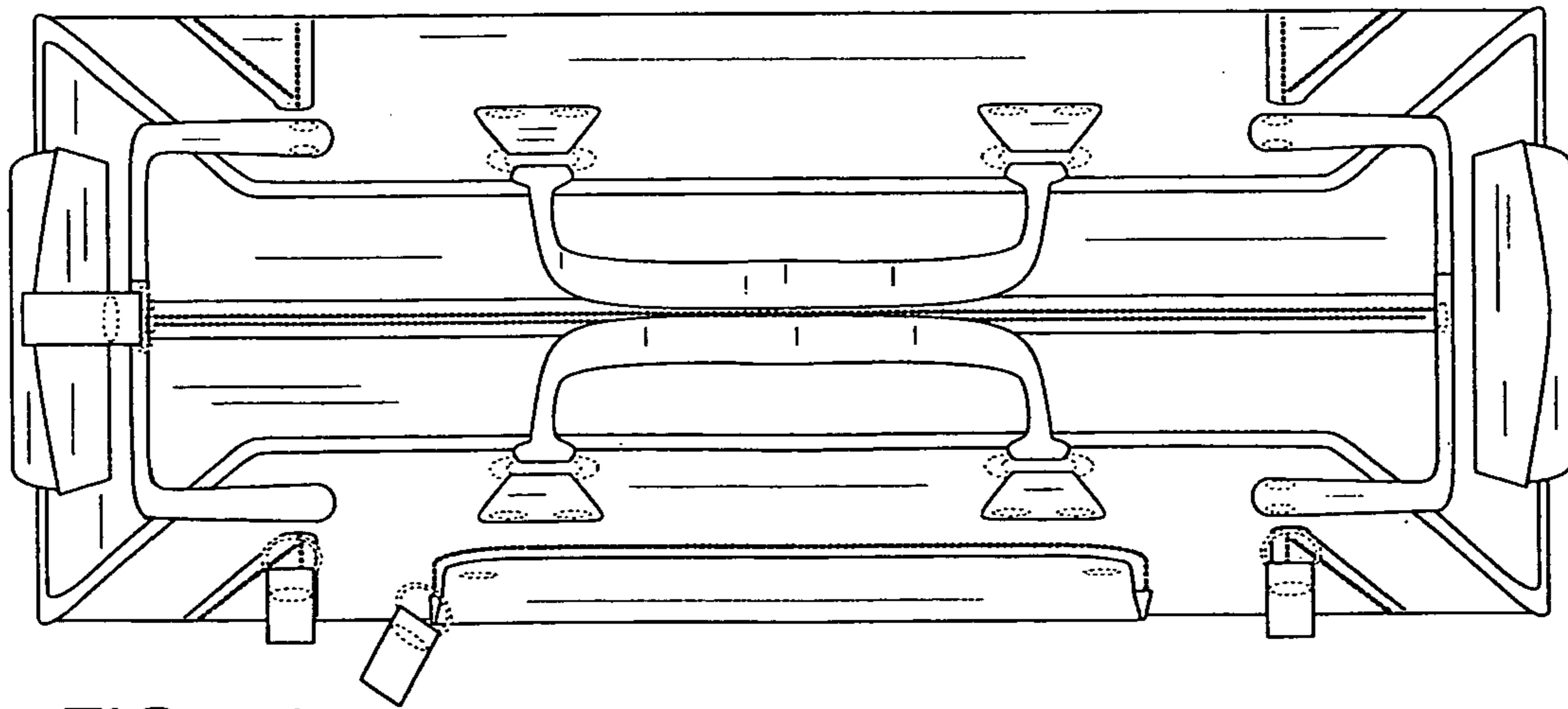


FIG. 12