

US00D545561S

(12) **United States Design Patent**  
**Vandecasteele**

(10) **Patent No.:** **US D545,561 S**

(45) **Date of Patent:** **\*\* Jul. 3, 2007**

(54) **BOBBIN**

(75) Inventor: **Jacques Vandecasteele**, Lendeledede (BE)

(73) Assignee: **NV Bekaert SA**, Zwevegem (BE)

(\*\*) Term: **14 Years**

(21) Appl. No.: **29/265,624**

(22) Filed: **Sep. 6, 2006**

(30) **Foreign Application Priority Data**

Mar. 17, 2006 (EM) ..... 000497391  
Jun. 2, 2006 (EM) ..... 000538426

(51) **LOC (8) Cl.** ..... **02-07**

(52) **U.S. Cl.** ..... **D3/24**

(58) **Field of Classification Search** ..... D3/18-29;  
D8/358; D15/138, 66; D14/484; 242/118.4,  
242/118.5, 118.7, 118.61, 129, 141  
See application file for complete search history.

(56) **References Cited**

**U.S. PATENT DOCUMENTS**

D272,485 S \* 2/1984 Philips ..... D3/24

D281,482 S \* 11/1985 Suzuki ..... D8/358  
D358,931 S \* 6/1995 Vanhuyse ..... D3/24  
D436,520 S \* 1/2001 Bulman ..... D8/358  
D441,772 S 5/2001 Polzer  
D478,498 S \* 8/2003 Ito et al. .... D8/358  
D504,806 S \* 5/2005 Basaran et al. .... D8/358  
D527,041 S \* 8/2006 Nagaoka et al. .... D18/34.9

\* cited by examiner

*Primary Examiner*—Louis S. Zarfes

*Assistant Examiner*—Anhdao Doan

(74) *Attorney, Agent, or Firm*—Shlesinger, Arkwright & Garvey LLP

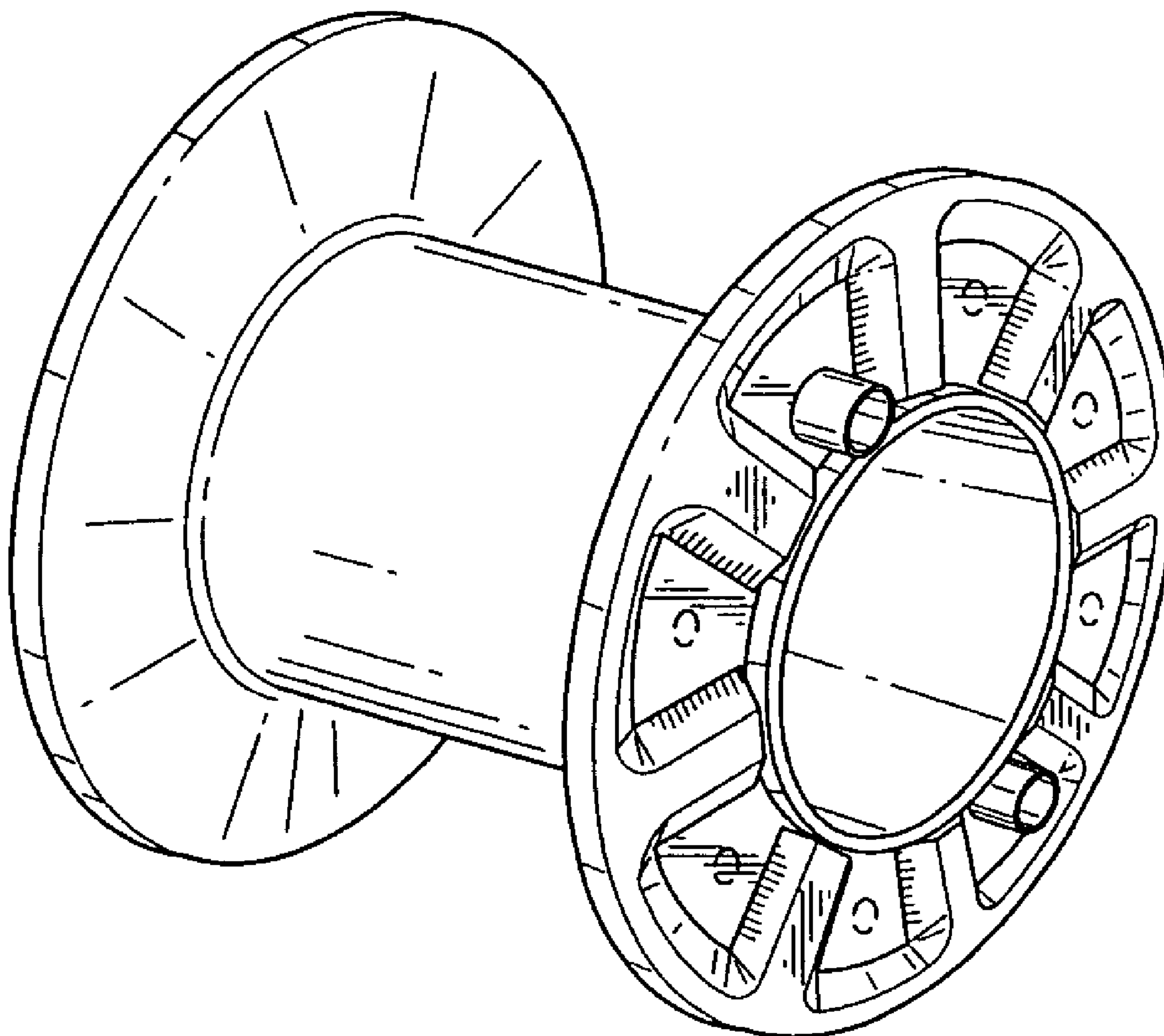
(57) **CLAIM**

The ornamental design for a bobbin, as shown and described.

**DESCRIPTION**

FIG. 1 is a front perspective view of my bobbin; and, FIG. 2 is a rear perspective view of my bobbin of FIG. 1. The broken line showing of the circular details in the drawings is for illustrative purposes only and forms no part of the claimed design.

**1 Claim, 1 Drawing Sheet**



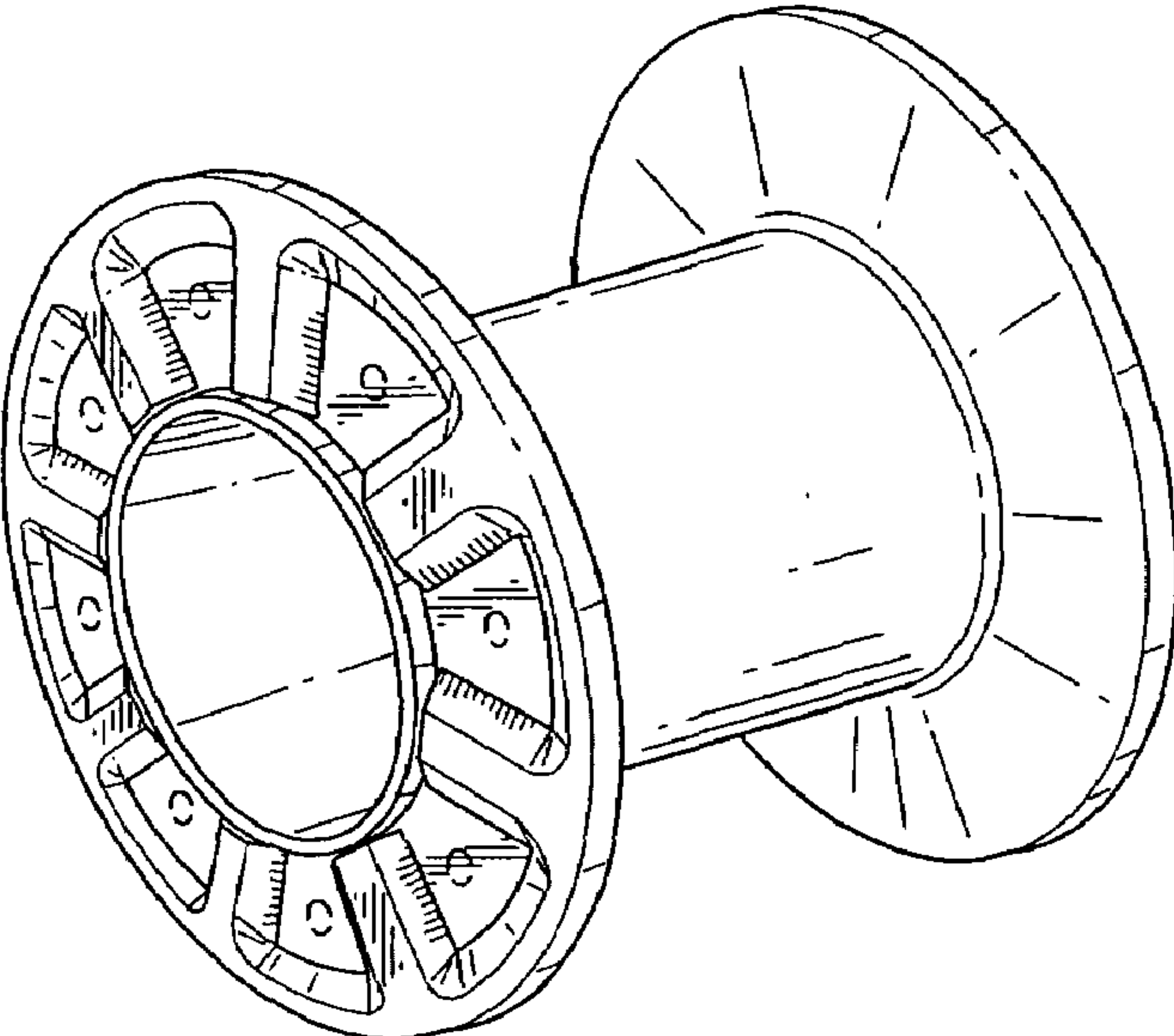


FIG. 1

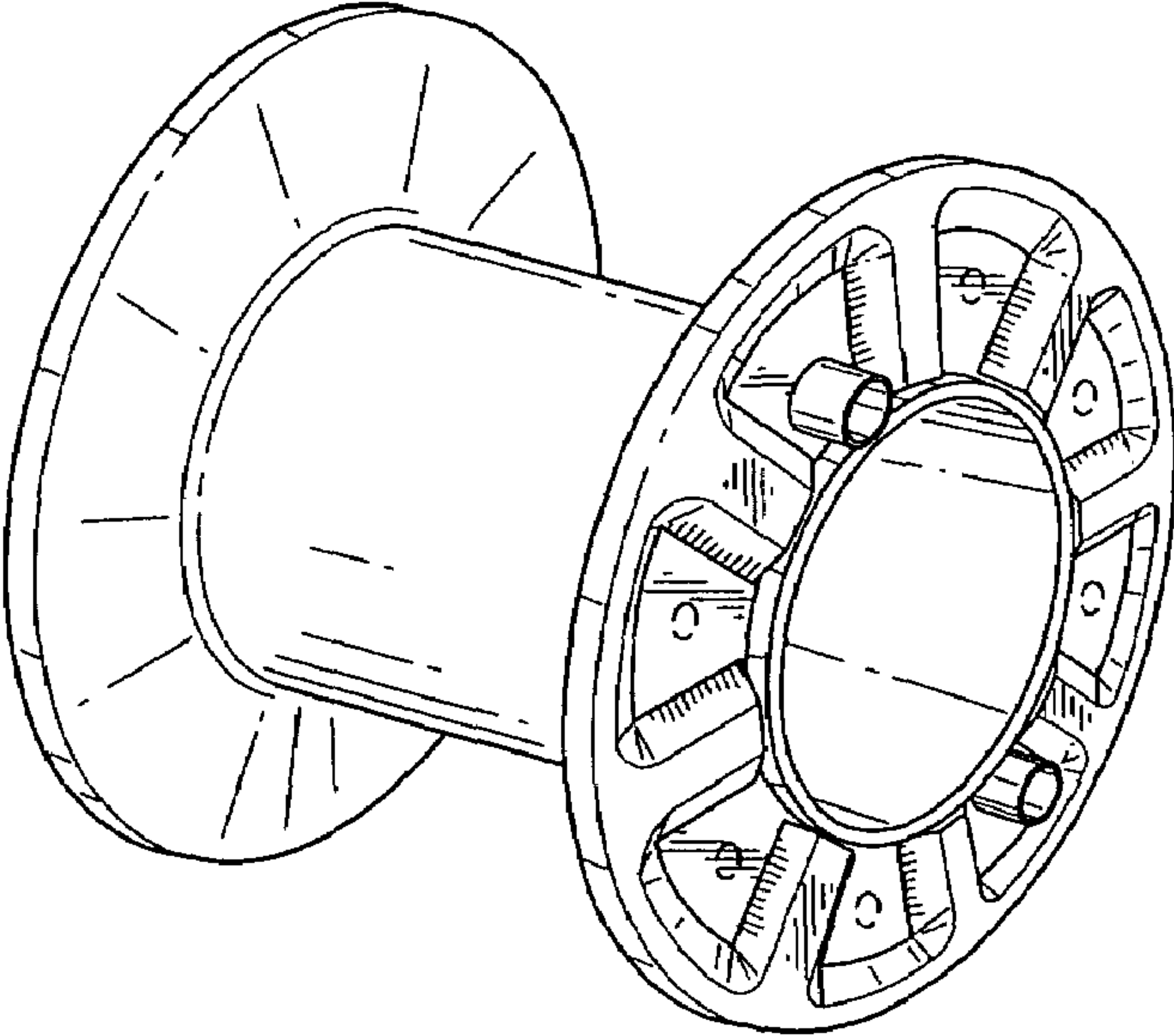


FIG. 2