

US00D545527S

(12) **United States Design Patent**  
**de Grandcourt**

(10) **Patent No.:** **US D545,527 S**

(45) **Date of Patent:** **\*\* Jul. 3, 2007**

(54) **RASP FOR FOOT**

(75) Inventor: **Frédéric de Grandcourt**, Paris (FR)

(73) Assignee: **Vitry Frefres**, Paris (FR)

(\*\*) Term: **14 Years**

(21) Appl. No.: **29/264,432**

(22) Filed: **Aug. 10, 2006**

(30) **Foreign Application Priority Data**

Mar. 21, 2006 (EM) ..... 499025

(51) **LOC (8) Cl.** ..... **07-99**

(52) **U.S. Cl.** ..... **D2/642; D2/641**

(58) **Field of Classification Search** ..... D2/641,  
D2/642, 643, 896, 900, 919, 999; D3/5,  
D3/7, 201, 207, 208, 210; 36/110, 112; 223/113,  
223/114, 115, 116, 117, 118  
See application file for complete search history.

(56) **References Cited**

U.S. PATENT DOCUMENTS

588,156	A *	8/1897	Lewis	.....	223/118
703,310	A *	6/1902	Schneider	.....	223/119
821,049	A *	5/1906	Mason	.....	223/118
D45,014	S *	12/1913	Meginn	.....	D2/642
1,522,922	A *	1/1925	Smiley	.....	223/118
1,913,709	A *	6/1933	Gutmann	.....	223/118

D128,654	S *	8/1941	Jobst	.....	D4/138
3,396,883	A *	8/1968	Batista	.....	223/118
3,436,000	A *	4/1969	Batista	.....	223/118
3,501,073	A *	3/1970	Breithor	.....	223/118
D378,547	S *	3/1997	Holland	.....	D2/642
D427,418	S *	7/2000	Huang et al.	.....	D2/642
D448,141	S *	9/2001	Huang	.....	D2/642
6,695,182	B1 *	2/2004	Shrewsbury	.....	223/113

\* cited by examiner

*Primary Examiner*—Stella Reid

*Assistant Examiner*—Elizabeth J. Oswecki

(74) *Attorney, Agent, or Firm*—Sughrue Mion, PLLC

(57) **CLAIM**

The ornamental design for a rasp for foot, as shown.

**DESCRIPTION**

FIG. 1 is a perspective view of the top, front and right side of a rasp for foot showing my new design;

FIG. 2 is a perspective view of the bottom, front and left side thereof;

FIG. 3 is a top plan view thereof;

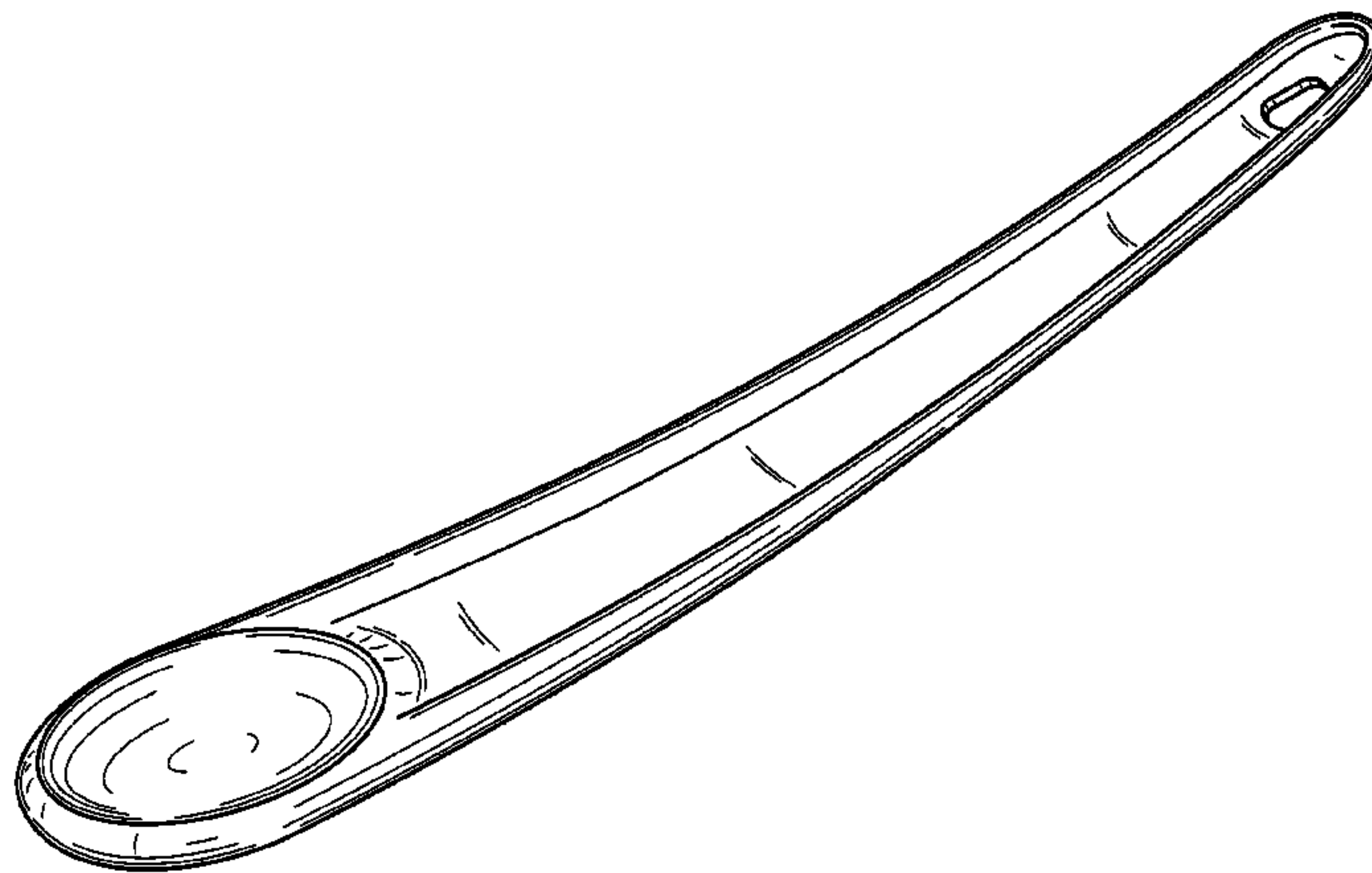
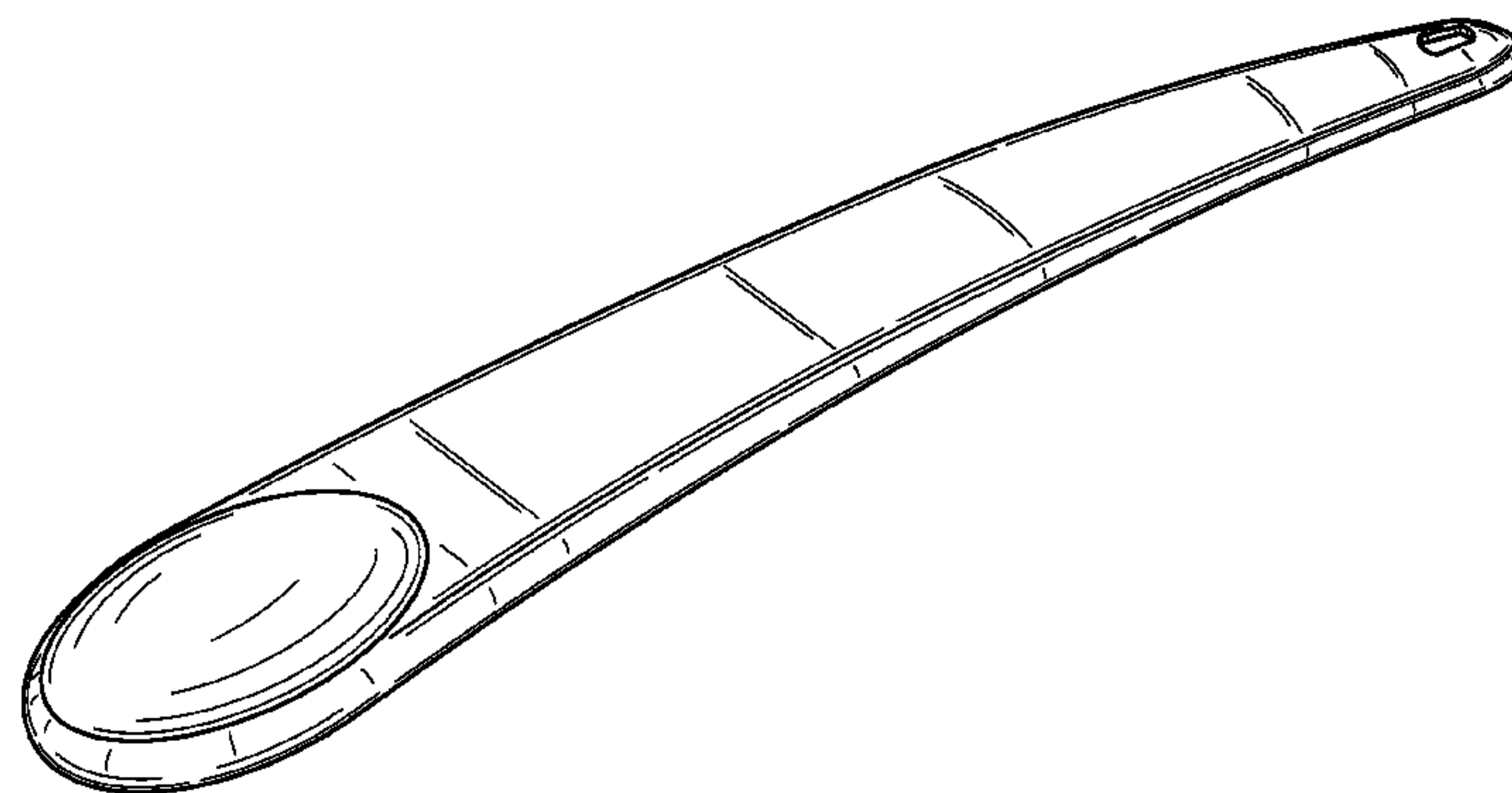
FIG. 4 is a bottom plan view thereof;

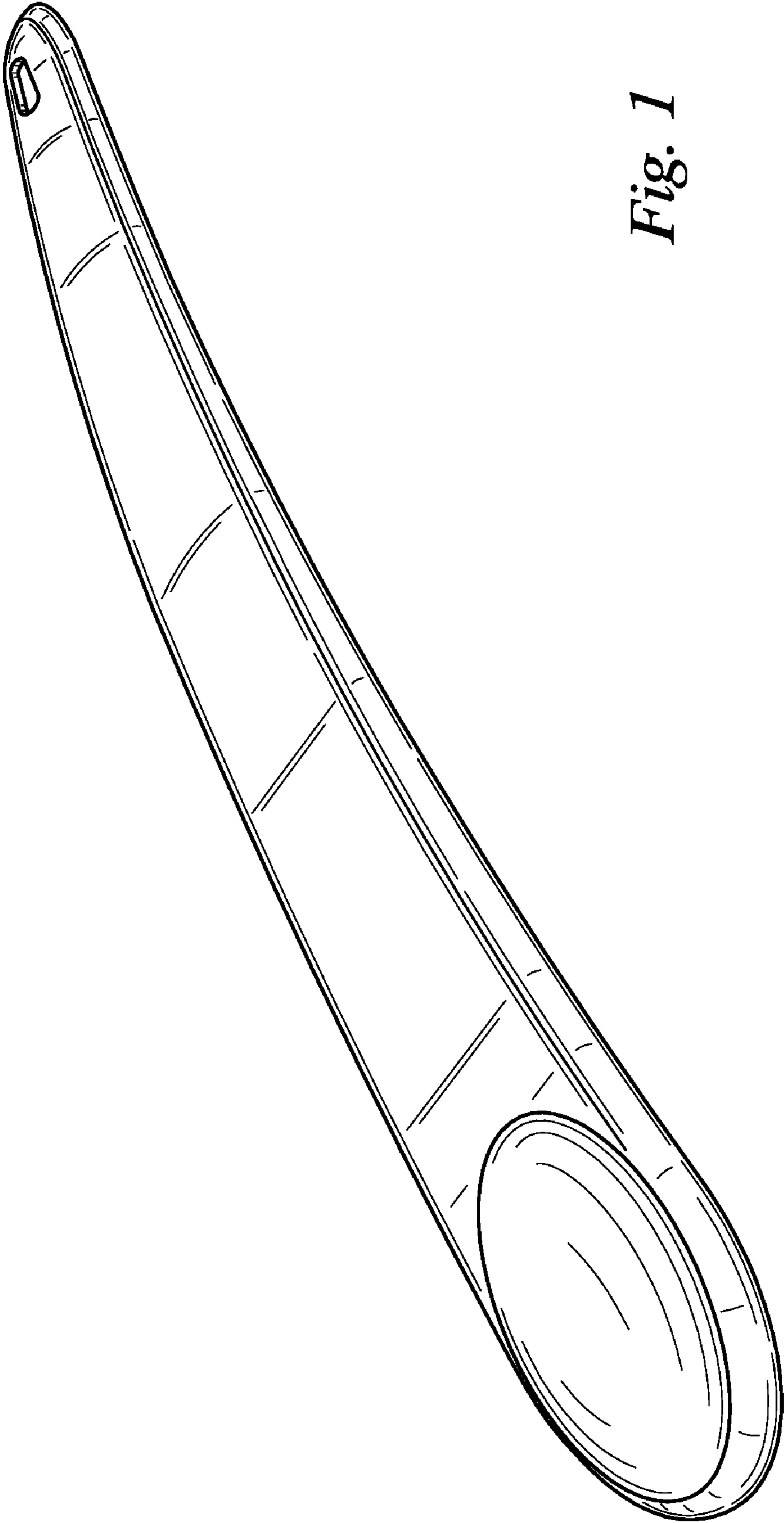
FIG. 5 is a left side elevational view thereof;

FIG. 6 is a front elevational view thereof; and,

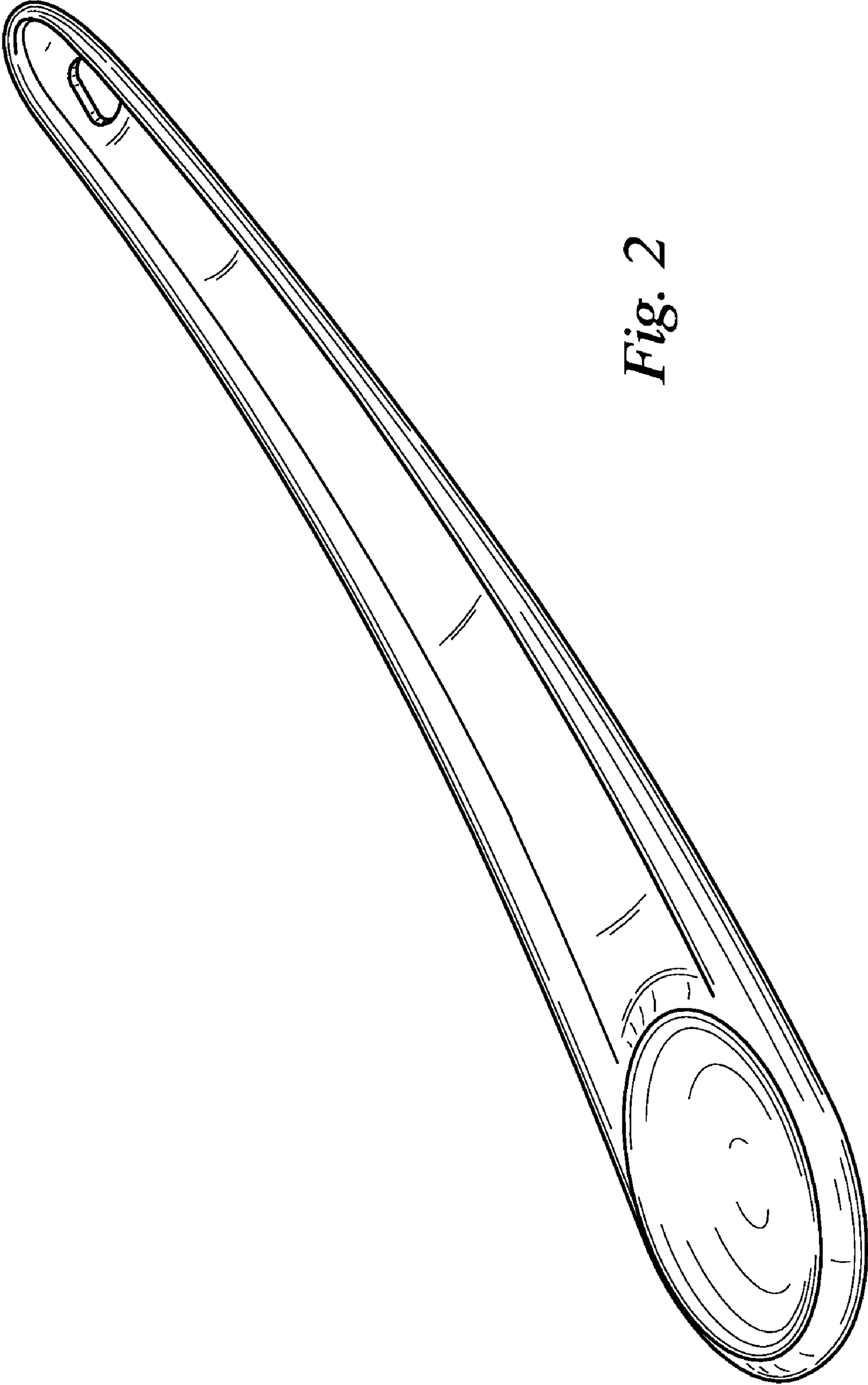
FIG. 7 is a rear elevational view thereof.

**1 Claim, 6 Drawing Sheets**

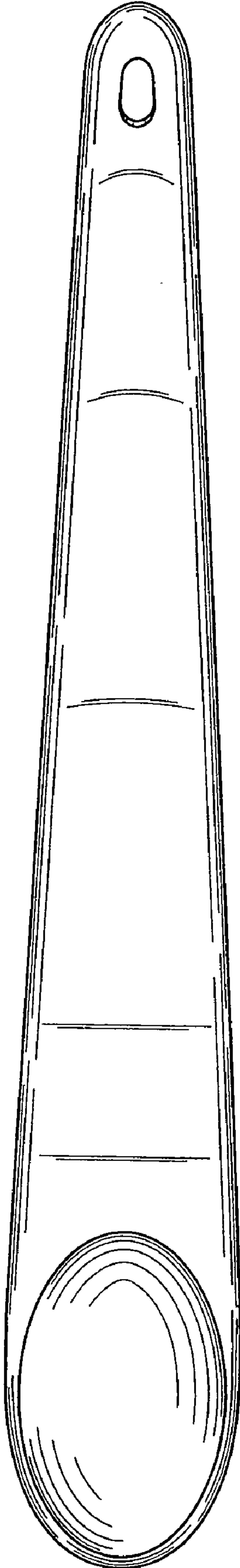




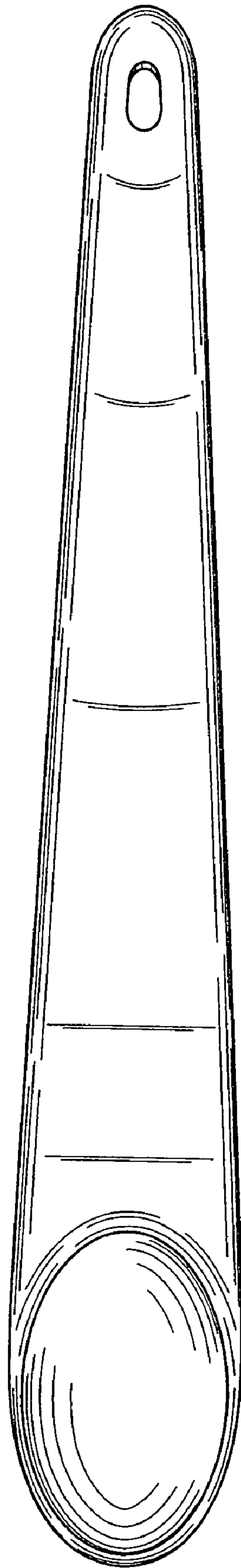
*Fig. 1*



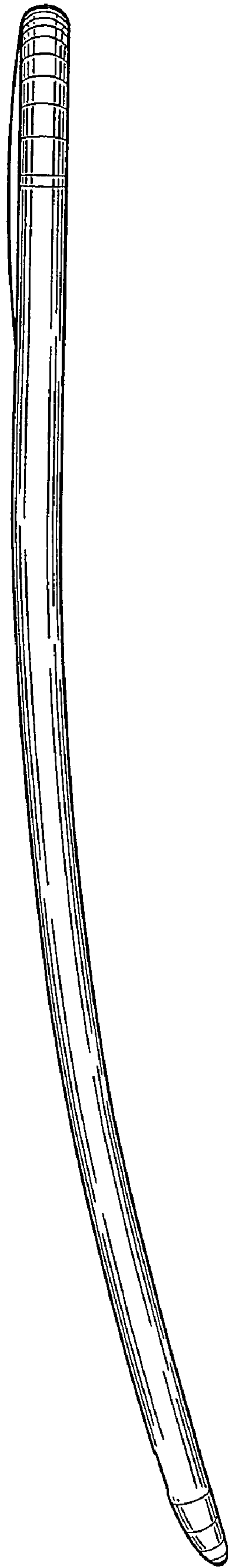
*Fig. 2*



*Fig. 3*

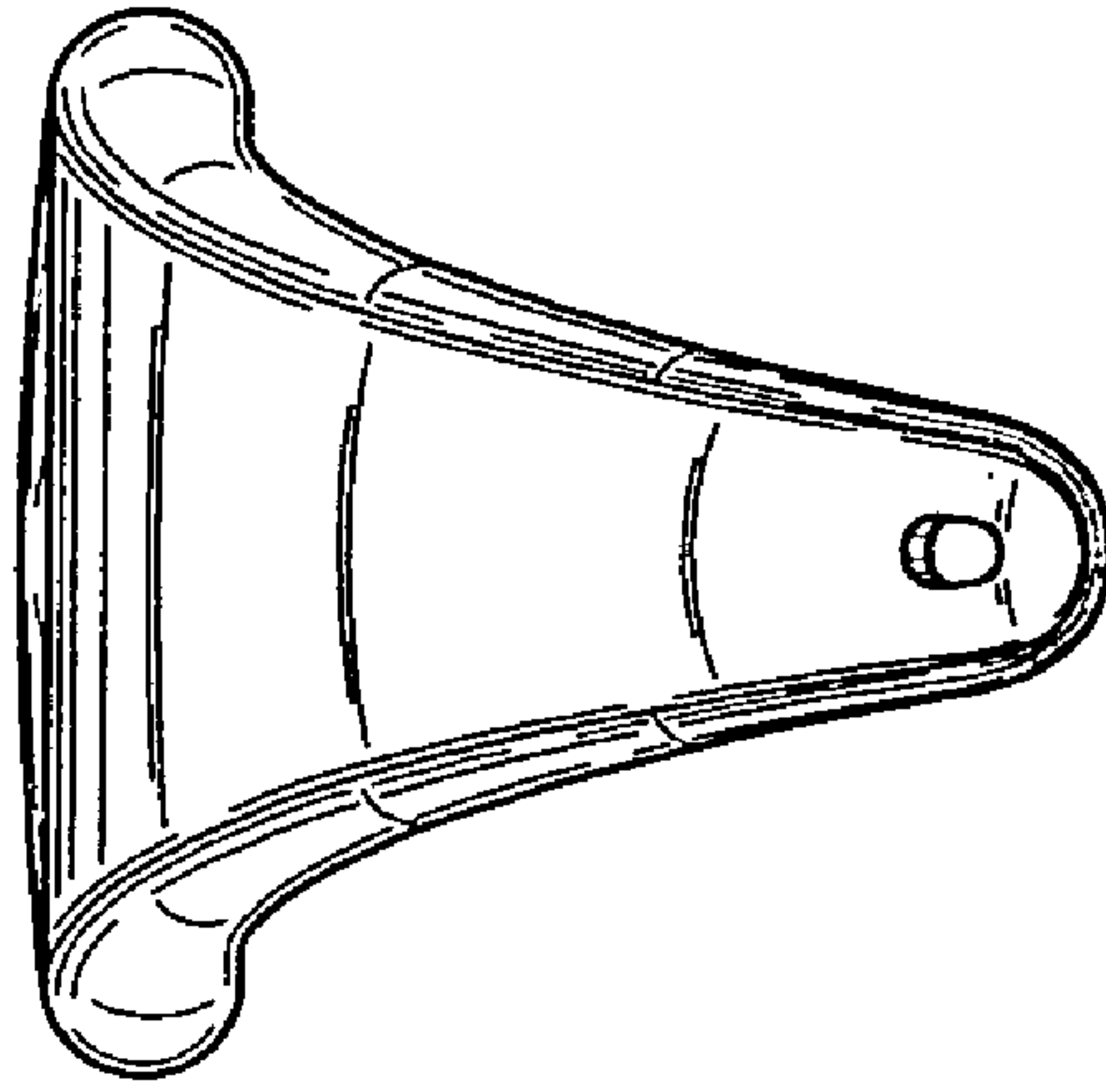


*Fig. 4*

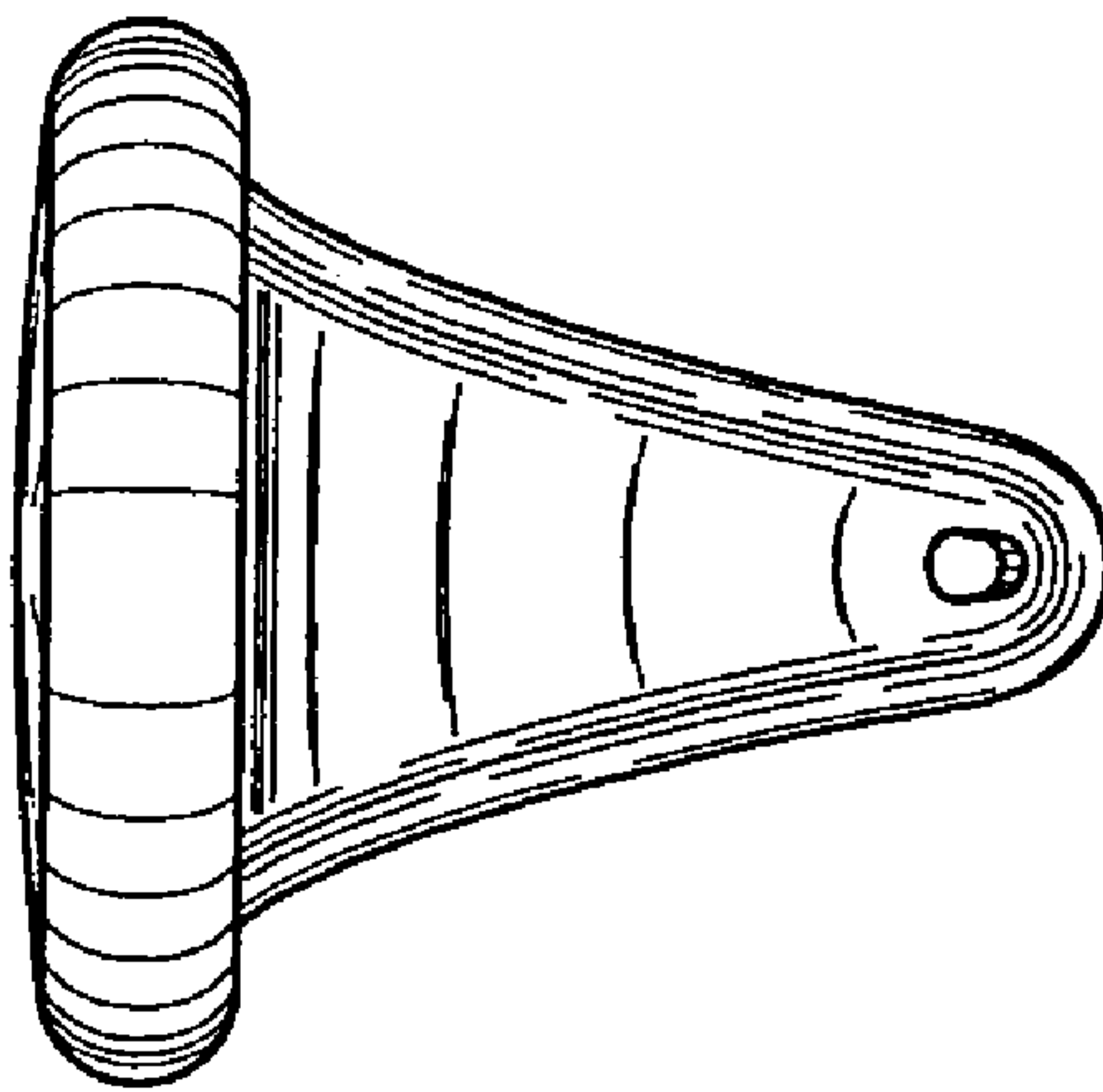


*Fig. 5*





*Fig. 7*



*Fig. 6*