



US00D545524S

(12) **United States Design Patent**
Eriksson

(10) **Patent No.:** **US D545,524 S**
(45) **Date of Patent:** **** Jun. 26, 2007**

(54) **AUTOMATIC TENSIONER FOR BELTS OR CHAINS**

(75) Inventor: **Pär Eriksson**, Korskrogen (SE)

(73) Assignee: **ExTe Fabriks AB**, Farila (SE)

(**) Term: **14 Years**

(21) Appl. No.: **29/236,941**

(22) Filed: **Aug. 25, 2005**

(30) **Foreign Application Priority Data**

Aug. 12, 2001 (EM) 000386289-0001

(51) **LOC (8) Cl.** **12-05**

(52) **U.S. Cl.** **D34/33**

(58) **Field of Classification Search** D34/33,
D34/35; 254/371, 369, 374, 362

See application file for complete search history.

(56) **References Cited**

U.S. PATENT DOCUMENTS

869,421	A	*	10/1907	Connelly	254/328
982,586	A	*	1/1911	Gellert	242/395
2,408,365	A	*	10/1946	Biehl et al.	74/413
2,530,586	A	*	11/1950	Smith	254/375
4,634,102	A	*	1/1987	Appling et al.	254/278
4,703,917	A	*	11/1987	Tomlinson	254/369
D298,078	S	*	10/1988	Stoker	D34/33

D395,114	S	*	6/1998	Wullimann	D34/33
D411,364	S	*	6/1999	Sasaki et al.	D34/33
D429,051	S	*	8/2000	Porter	D34/33
D473,992	S	*	4/2003	Hodge	D34/33
D475,499	S	*	6/2003	Hodge	D34/33

* cited by examiner

Primary Examiner—Cynthia E. Ramirez

(74) *Attorney, Agent, or Firm*—Young & Thompson

(57) **CLAIM**

The ornamental design for an automatic tensioner for belts or chains, as shown and described.

DESCRIPTION

FIG. 1 is a front elevational view of an automatic tensioner for belts or chains, showing my new design;

FIG. 2 is a side elevational thereof from the right of FIG. 1;

FIG. 3 is a rear elevational thereof;

FIG. 4 is a side elevational view thereof from the left of FIG. 1;

FIG. 5 is a top plan view thereof;

FIG. 6 is a bottom plan view thereof;

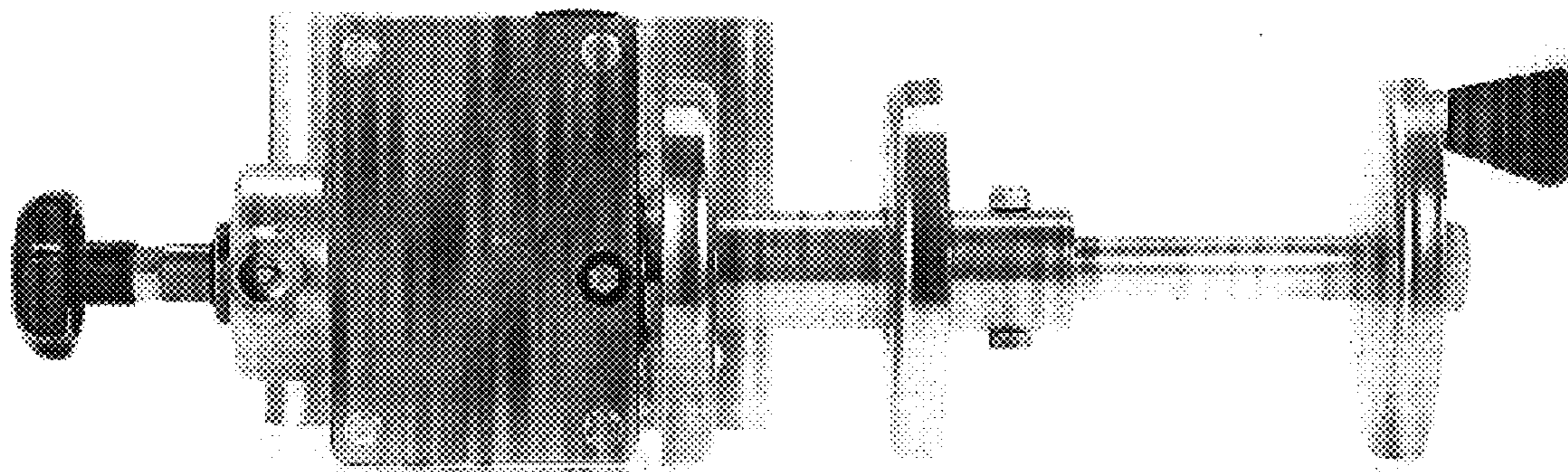
FIG. 7 is a front and side perspective view thereof;

FIG. 8 is a rear and side perspective view thereof;

FIGS. 9-16 are views similar to FIGS. 1-8 respectively, but showing a second embodiment thereof; and,

FIGS. 17-24 are views similar to FIGS. 1-8, respectively, but showing a third embodiment thereof.

1 Claim, 24 Drawing Sheets



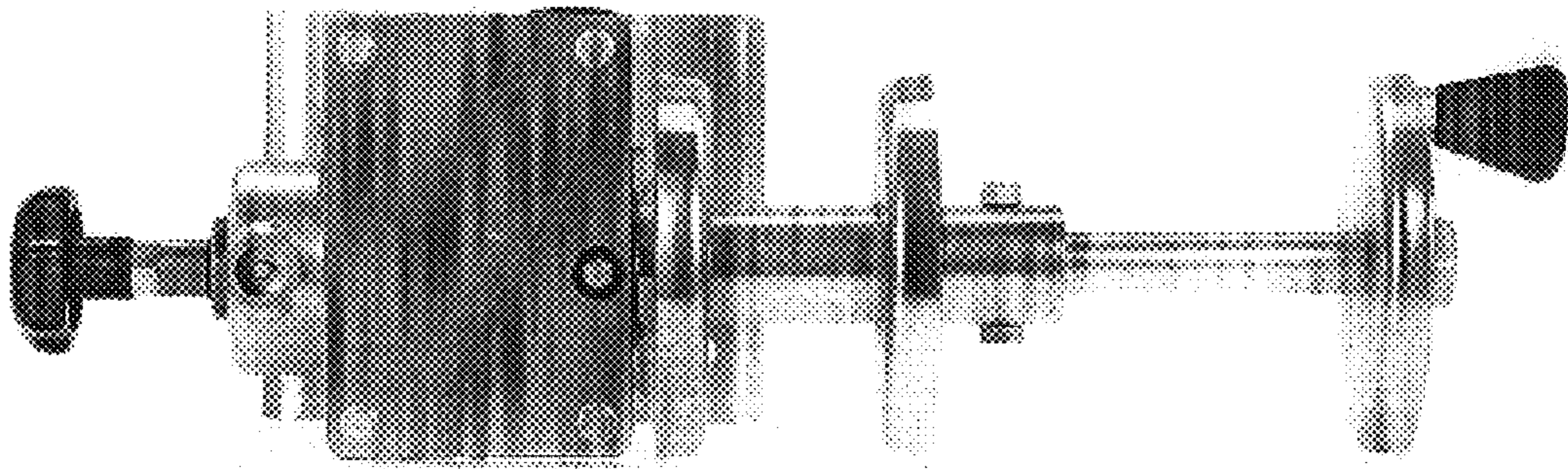


FIG. 1

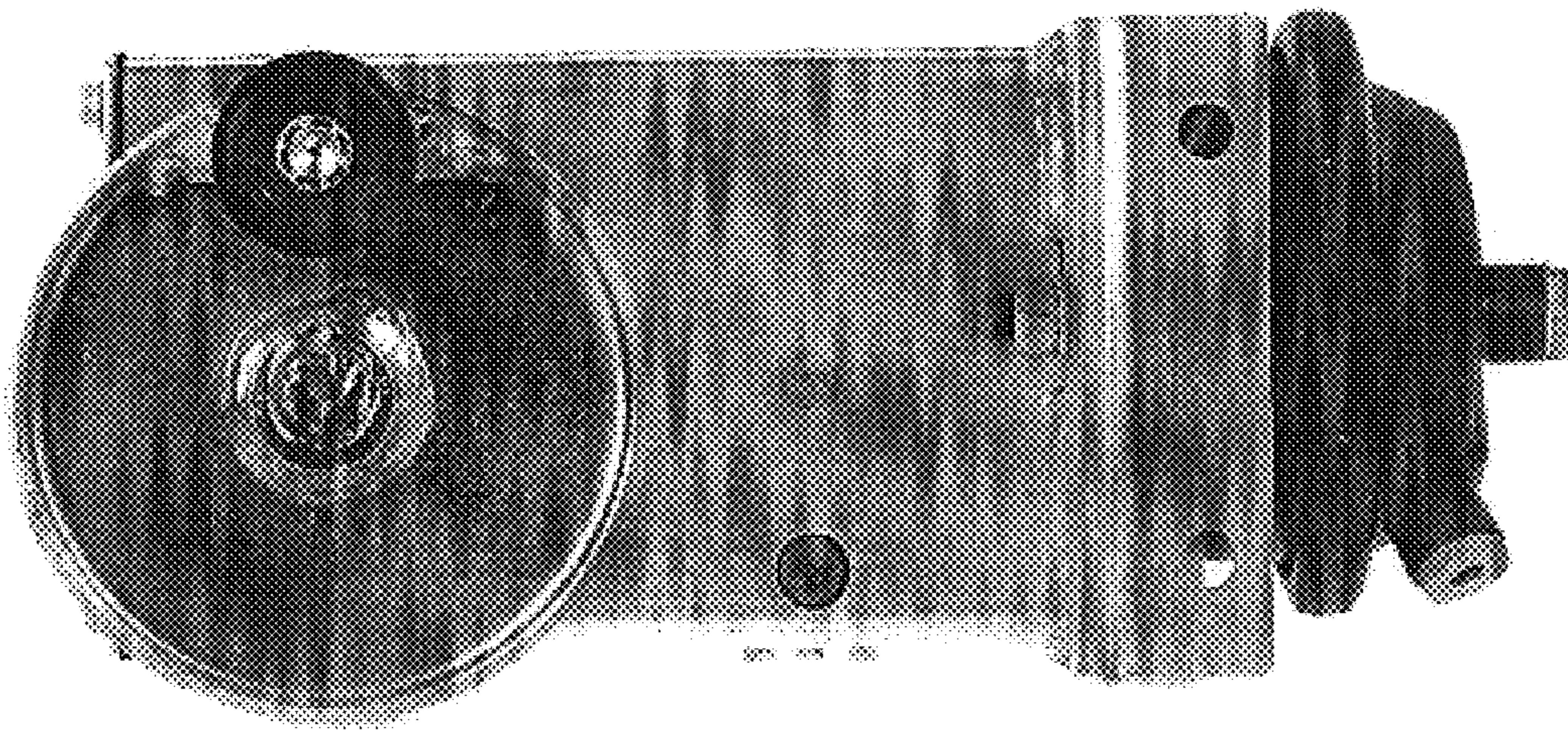


FIG. 2

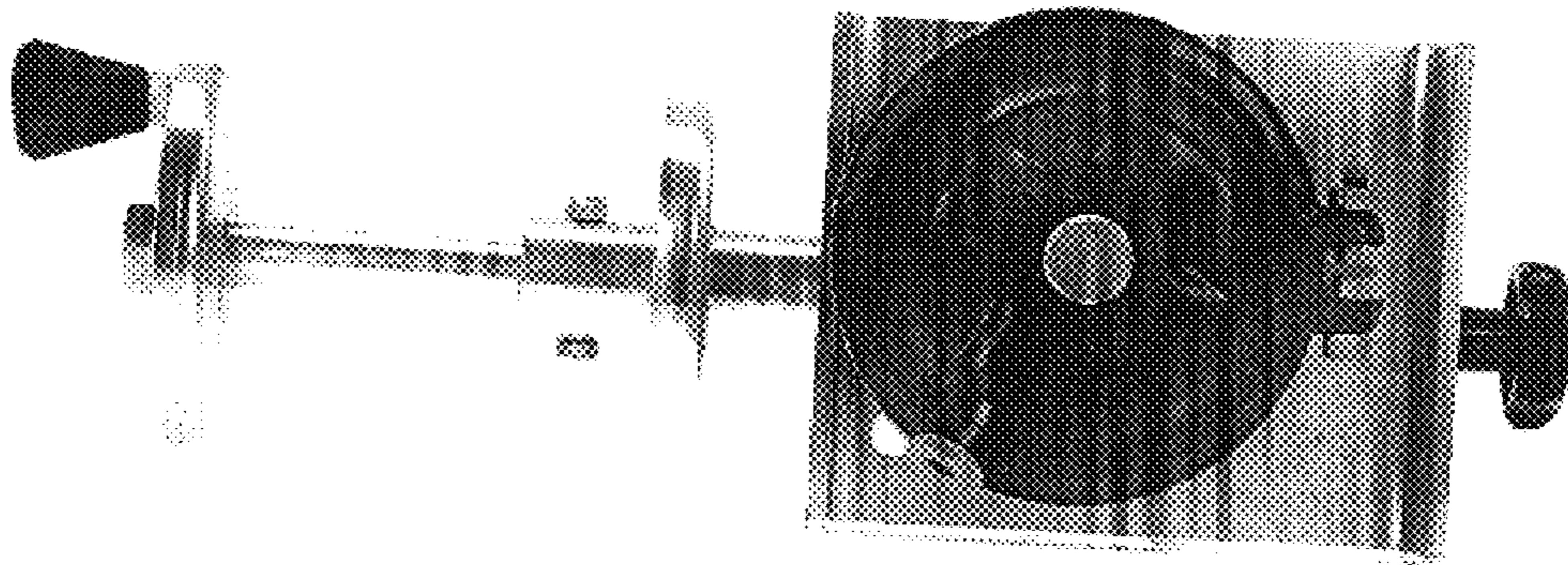


FIG. 3

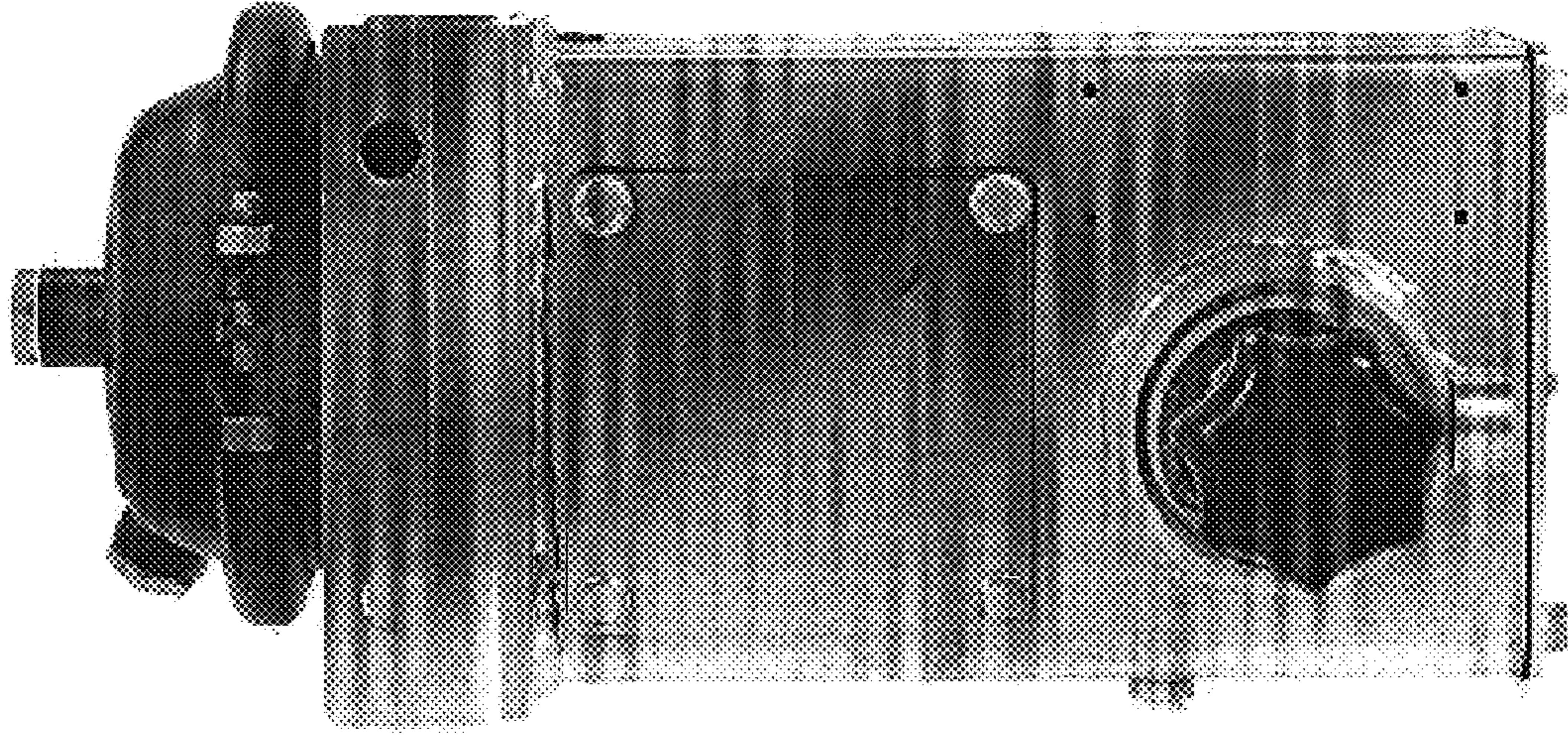


FIG. 4

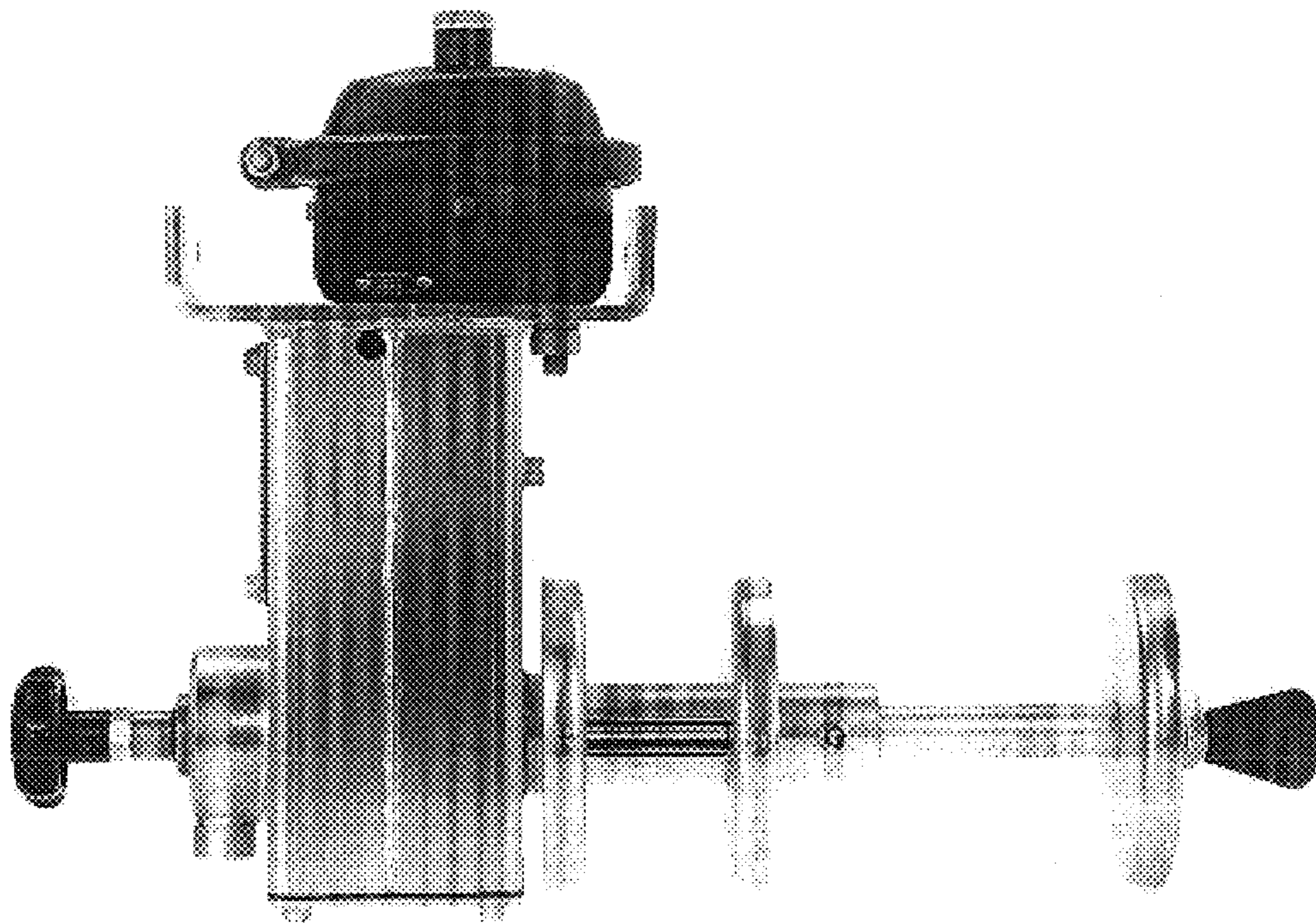


FIG. 5

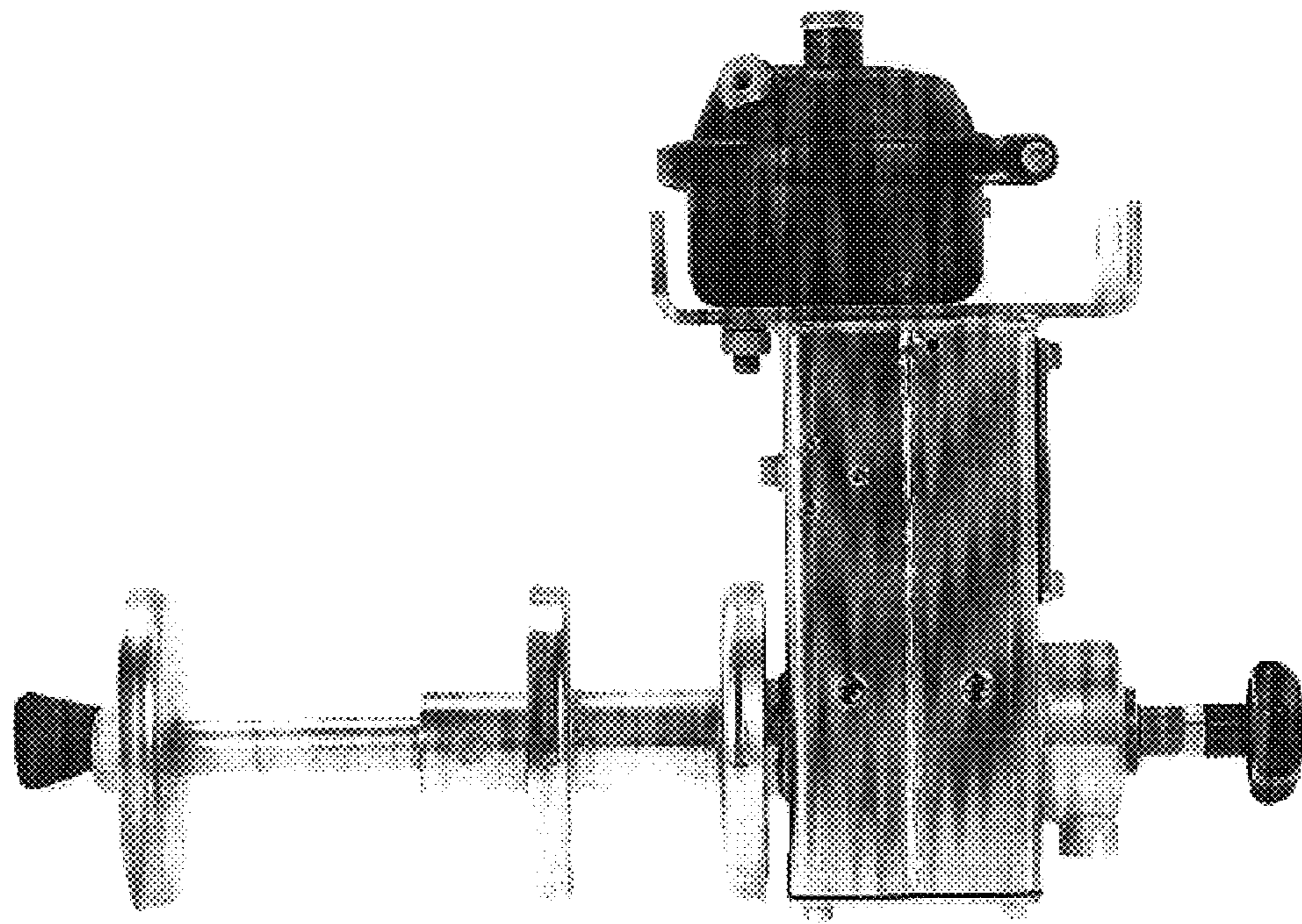


FIG. 6

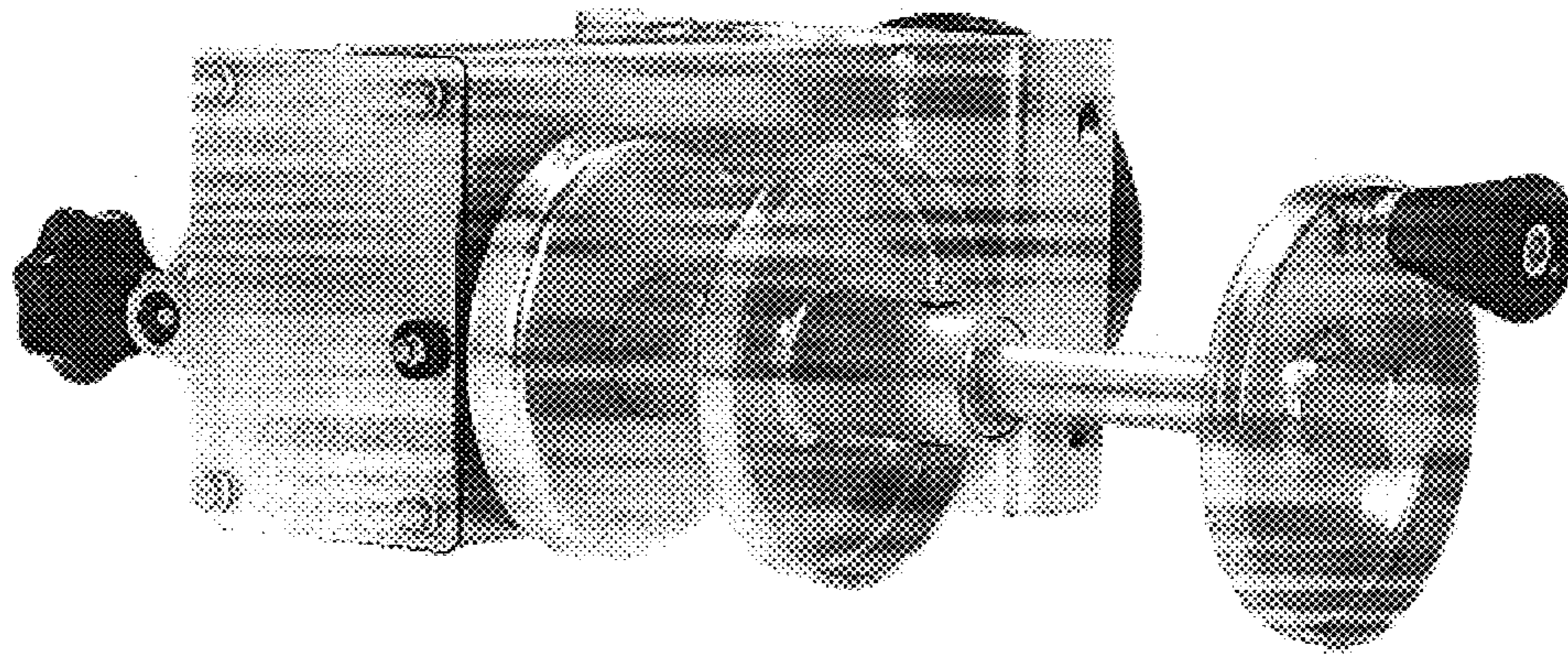


FIG. 7

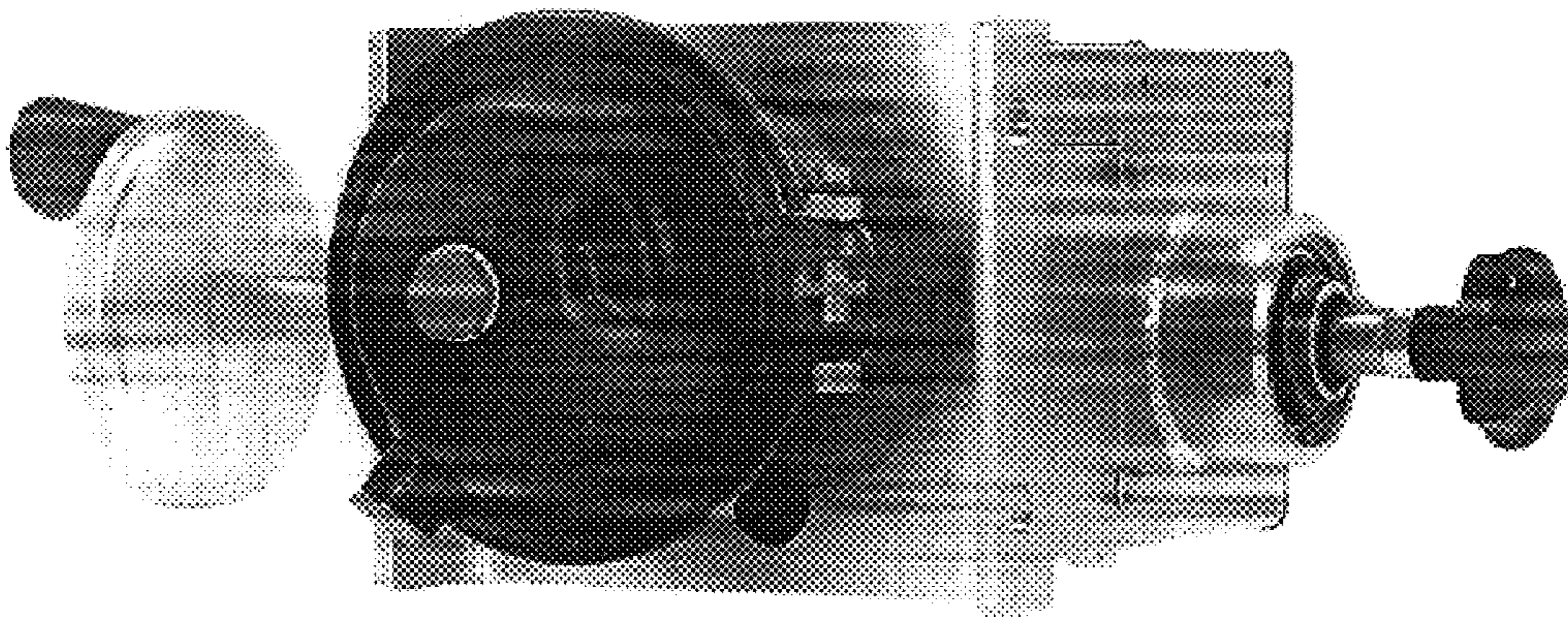


FIG. 8

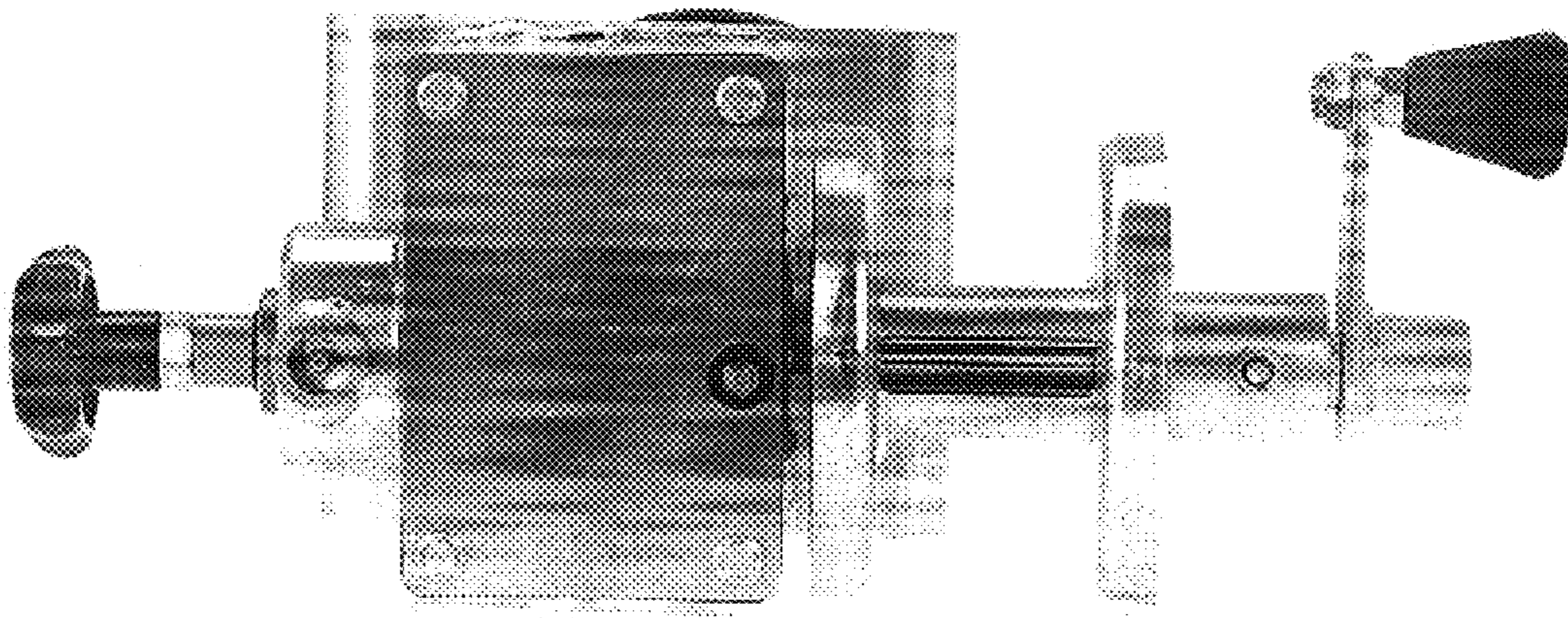


FIG. 9

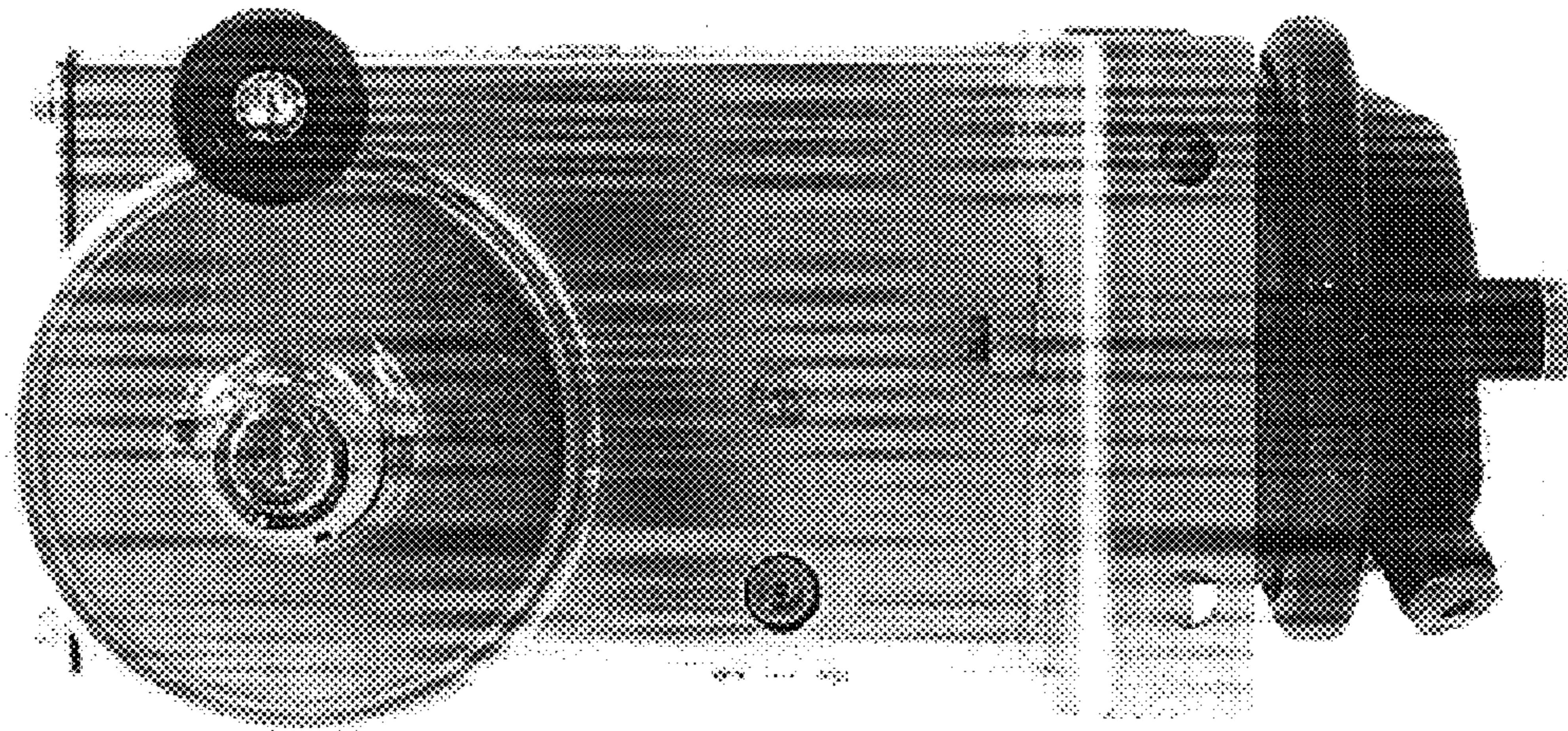


FIG. 10

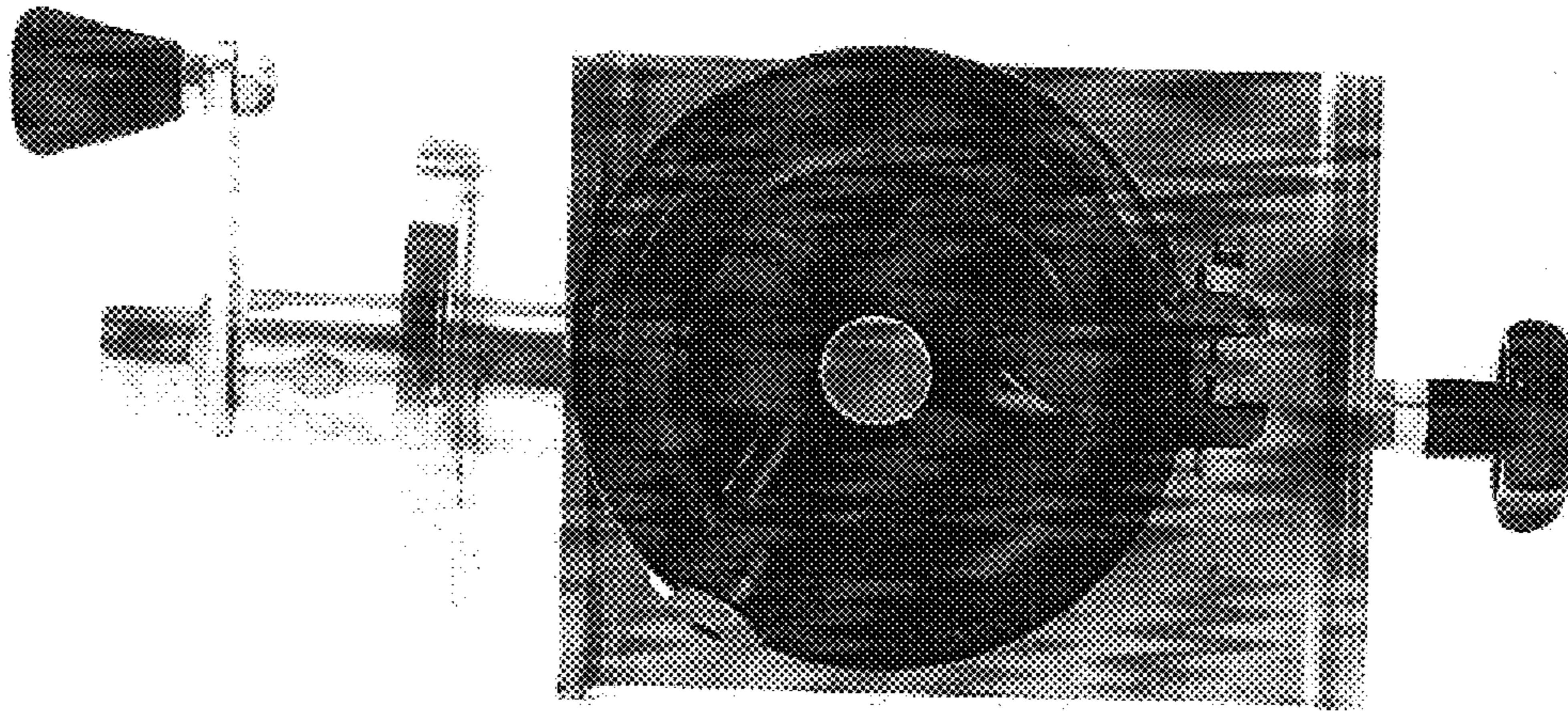


FIG. 11

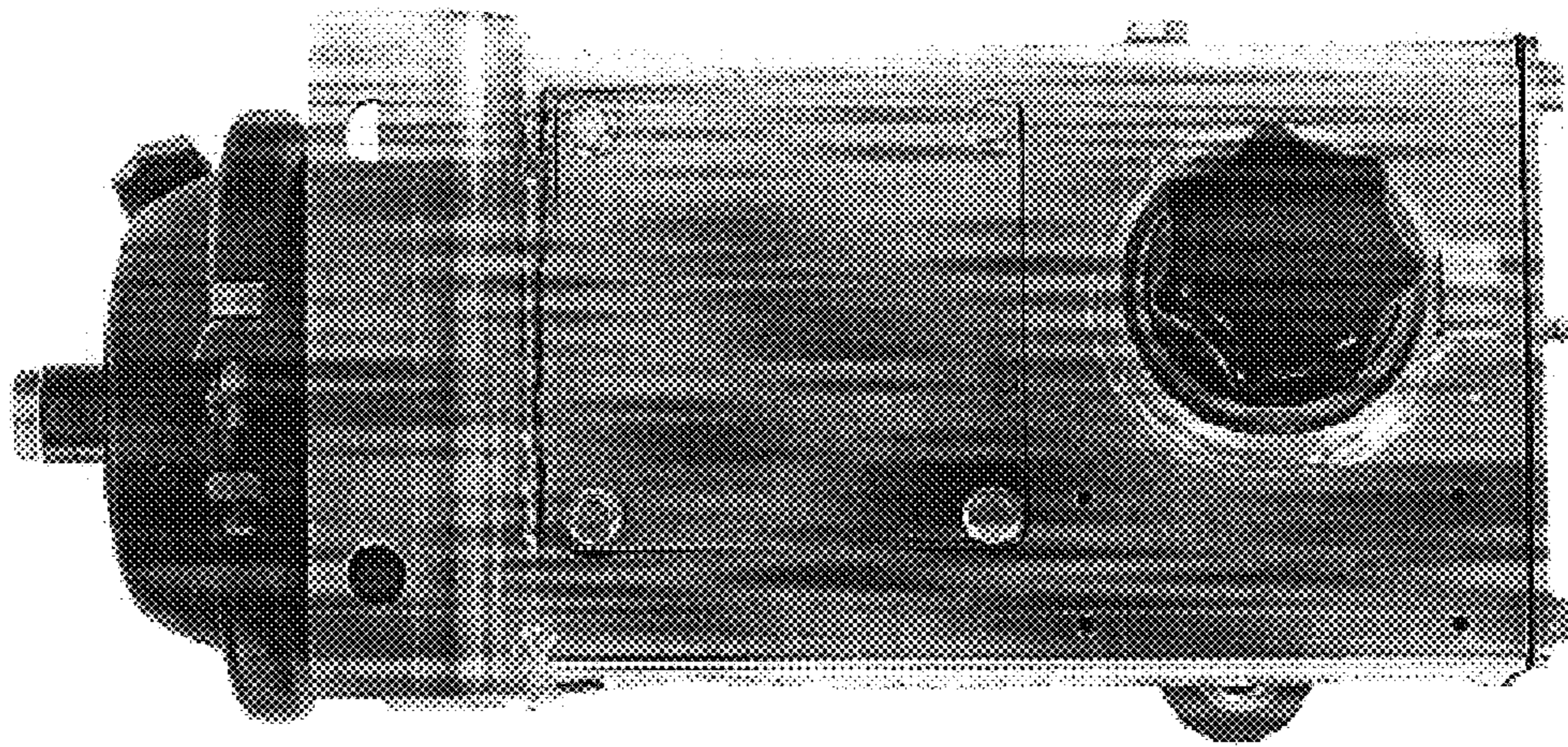


FIG. 12

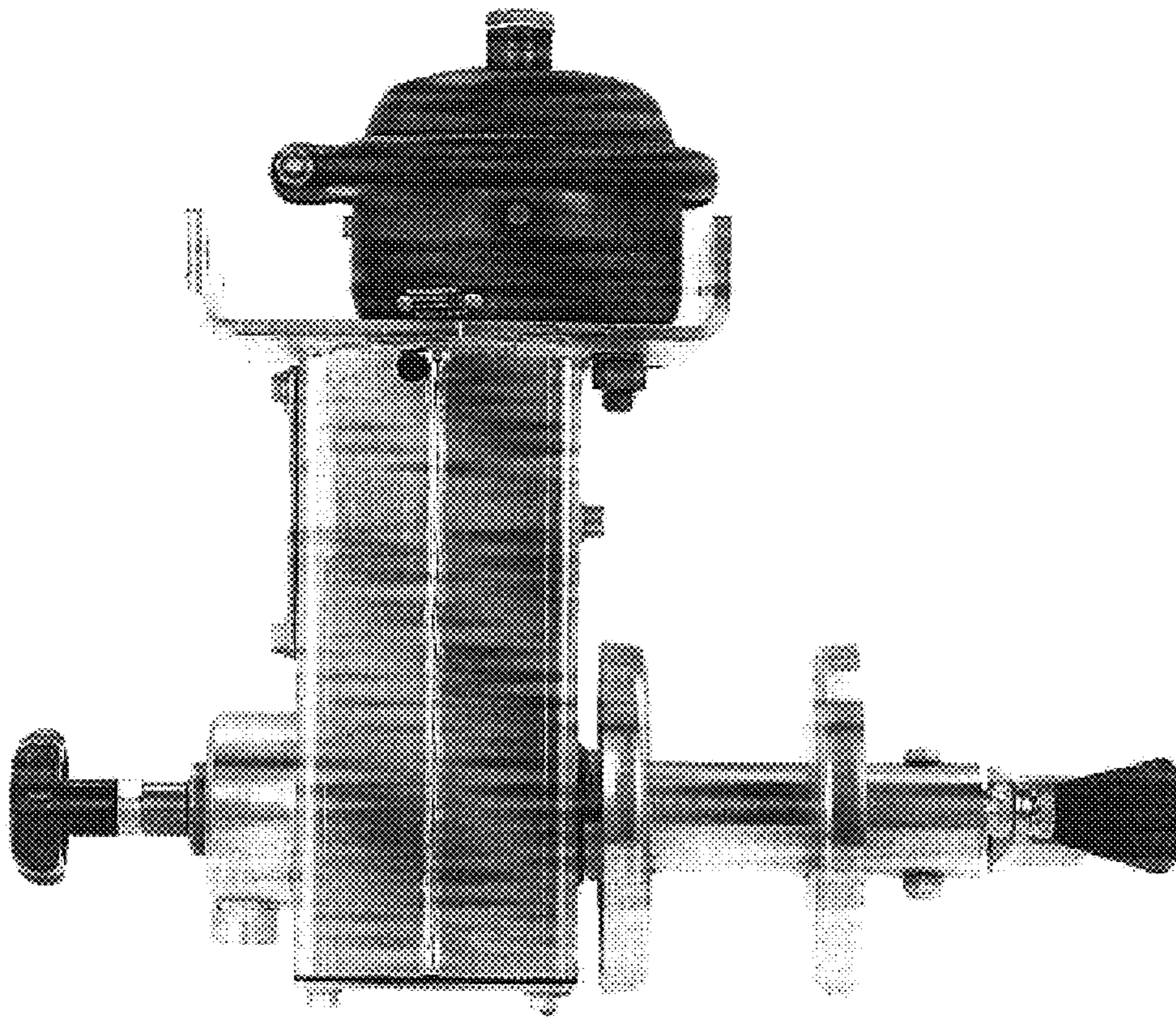


FIG. 13

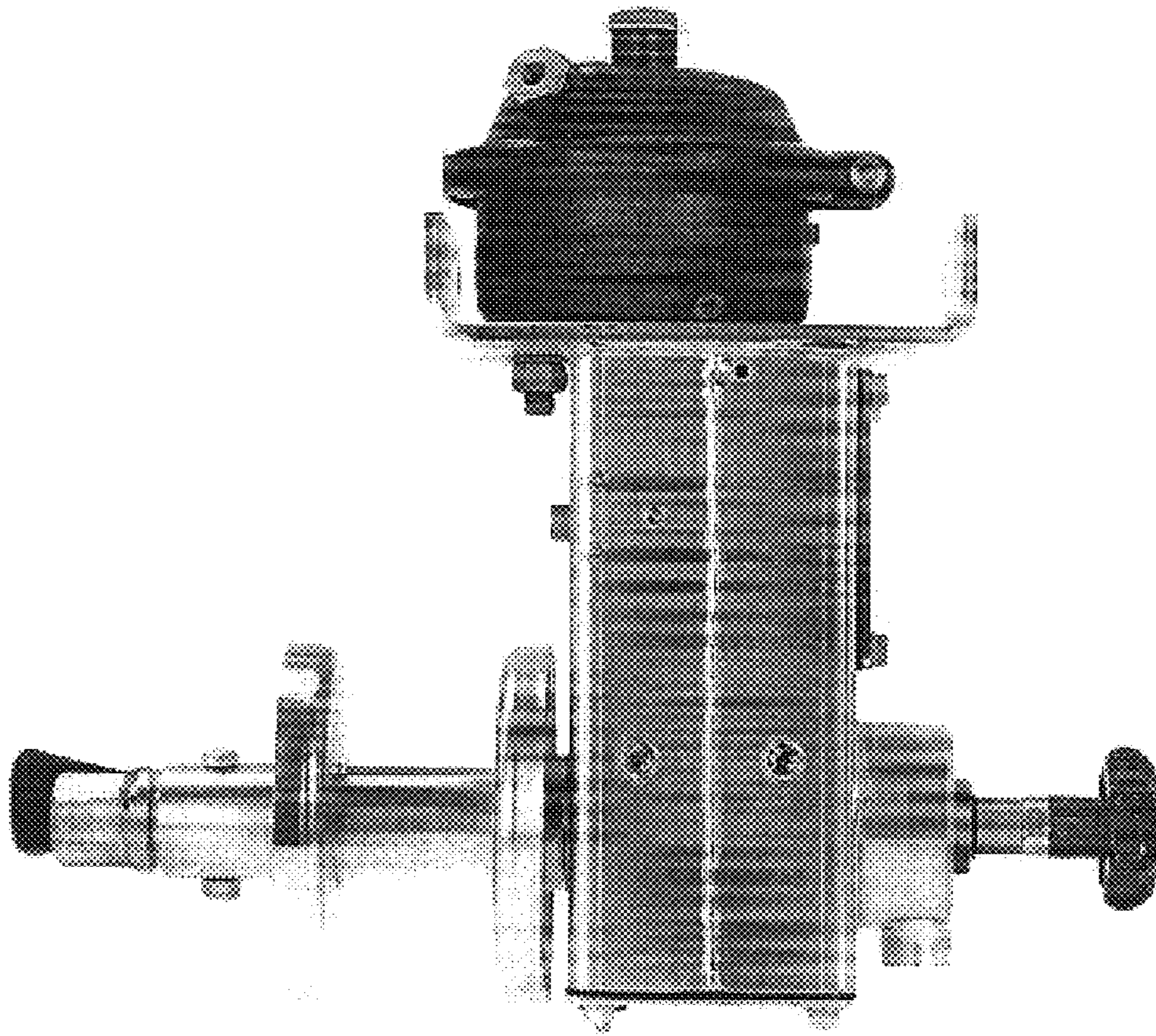


FIG. 14

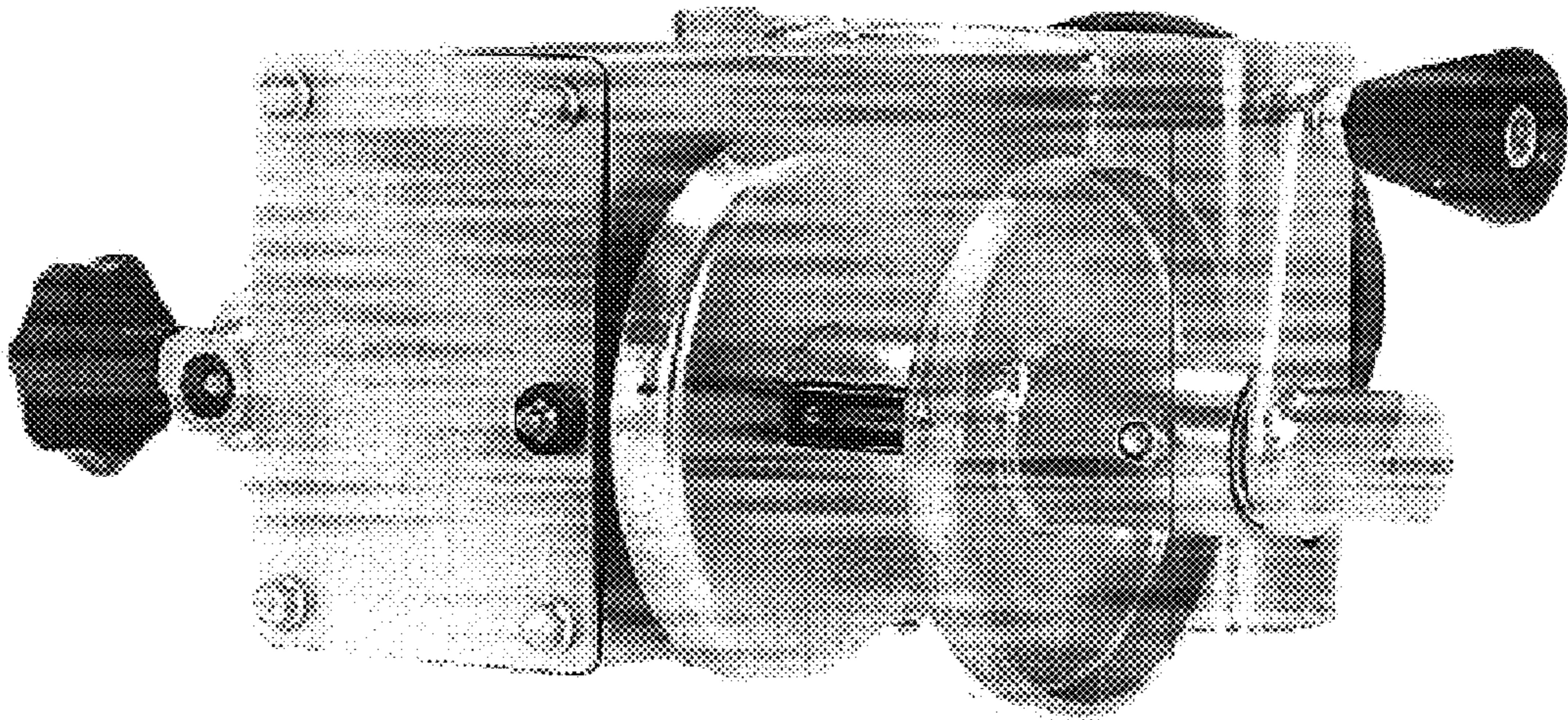


FIG. 15

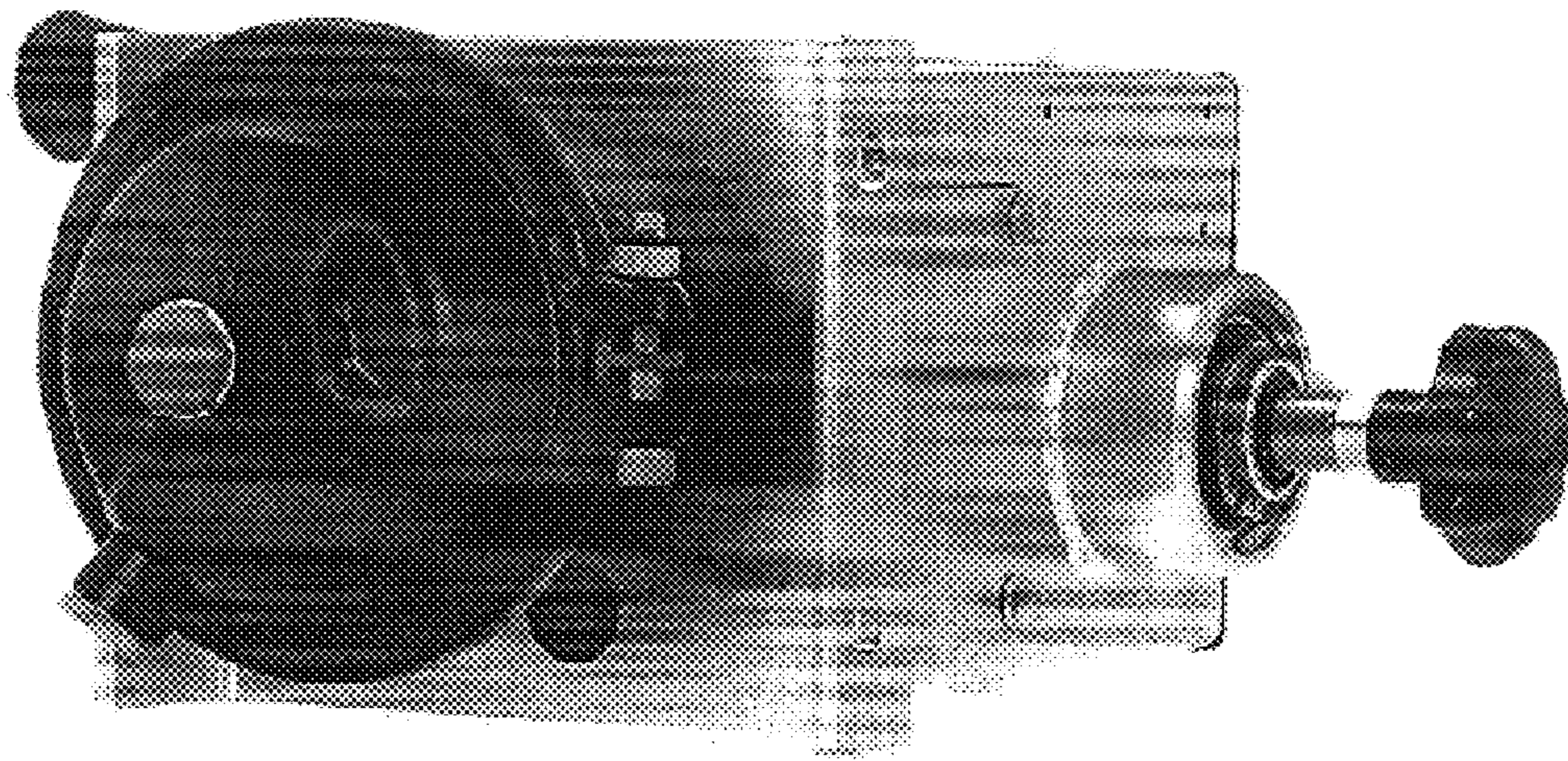


FIG. 16

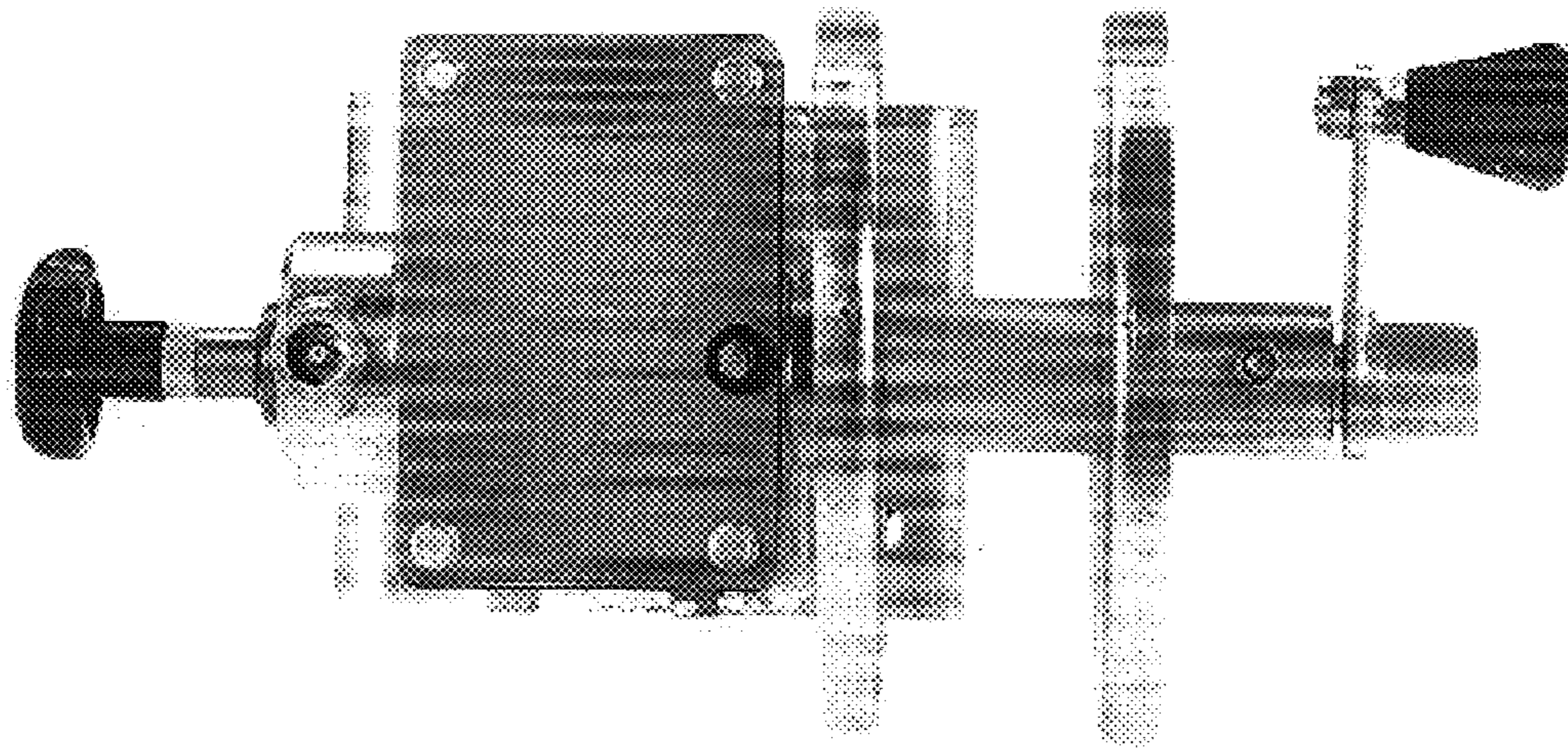


FIG. 17

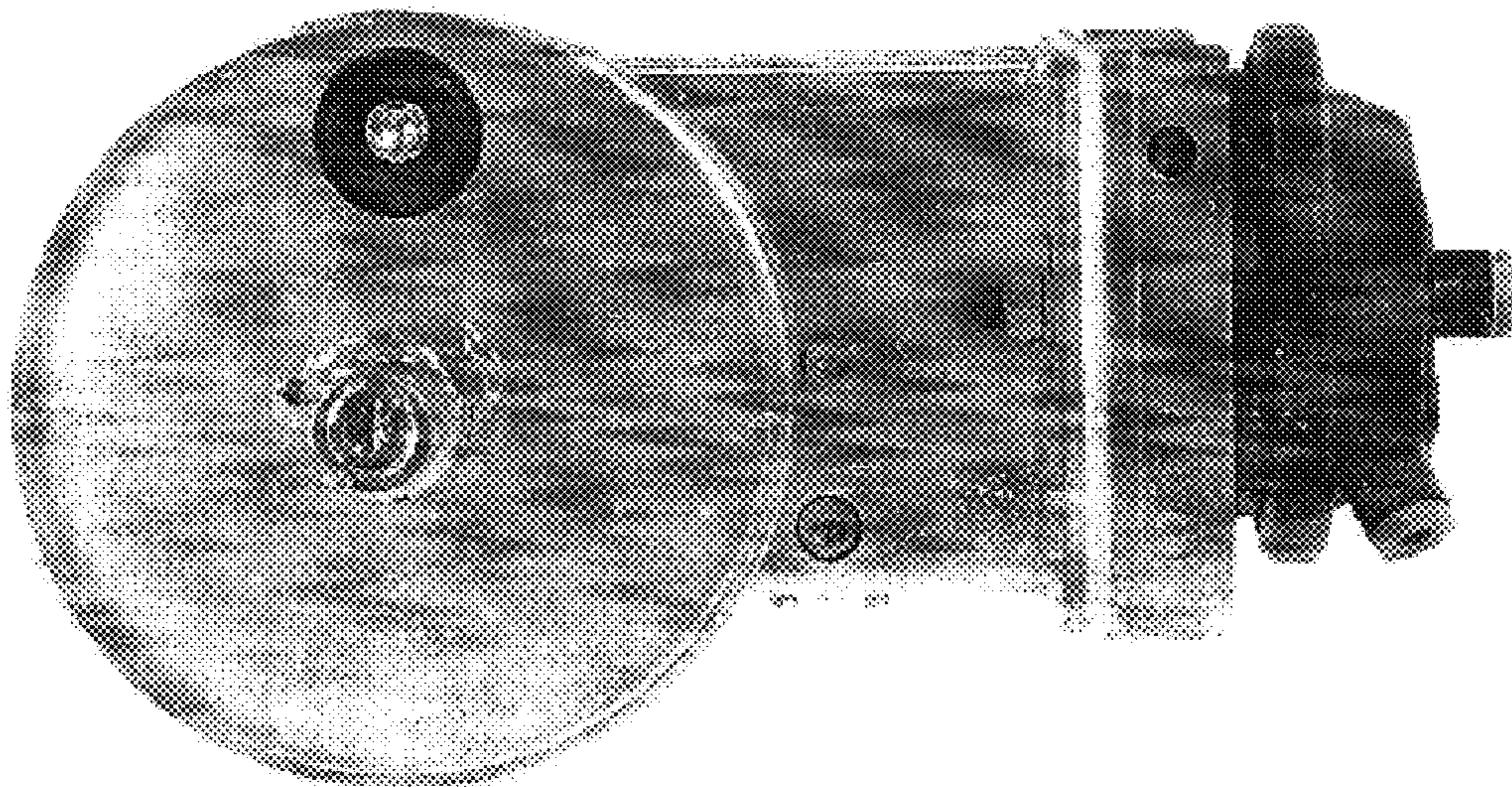


FIG. 18

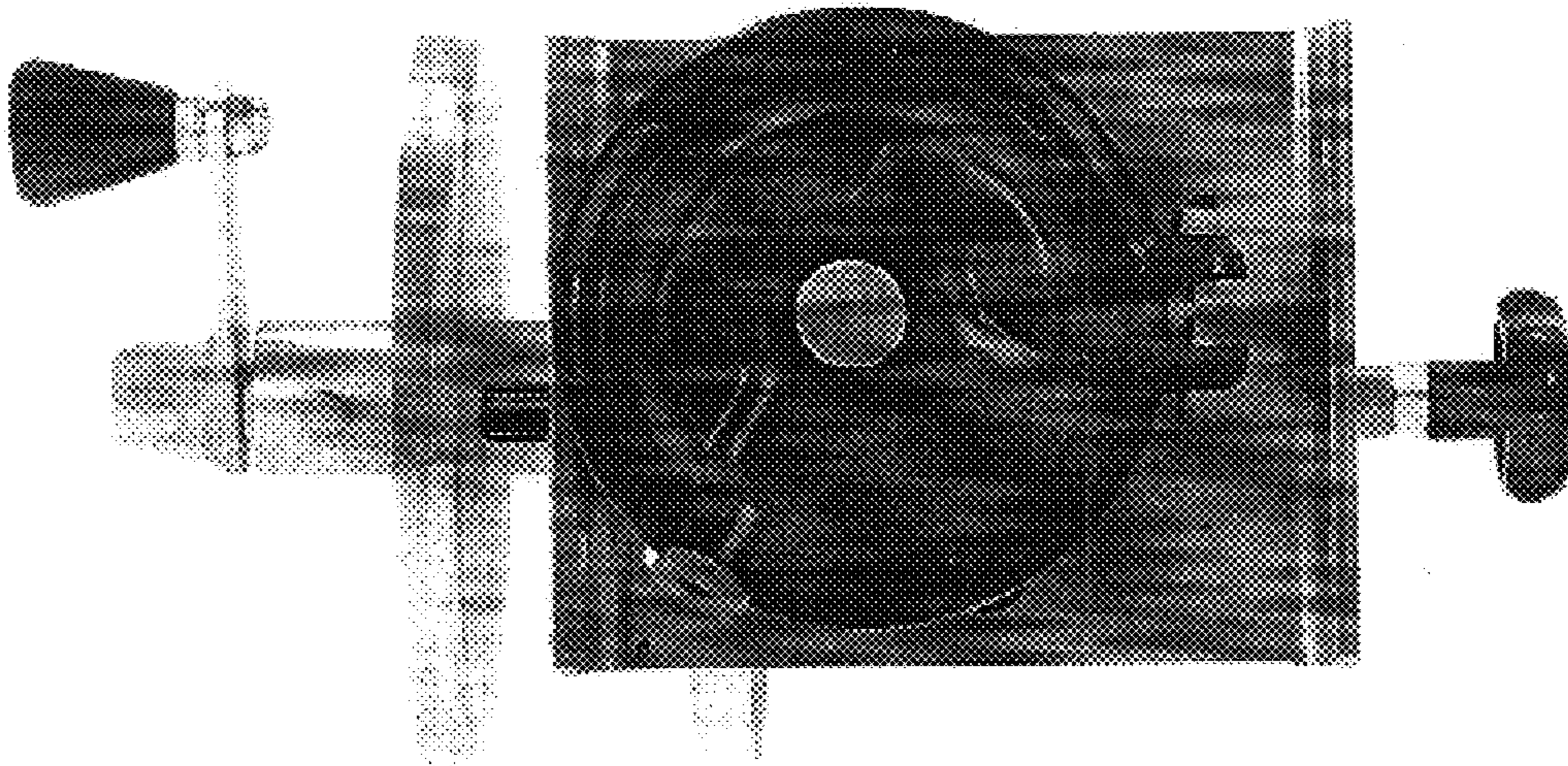


FIG. 19

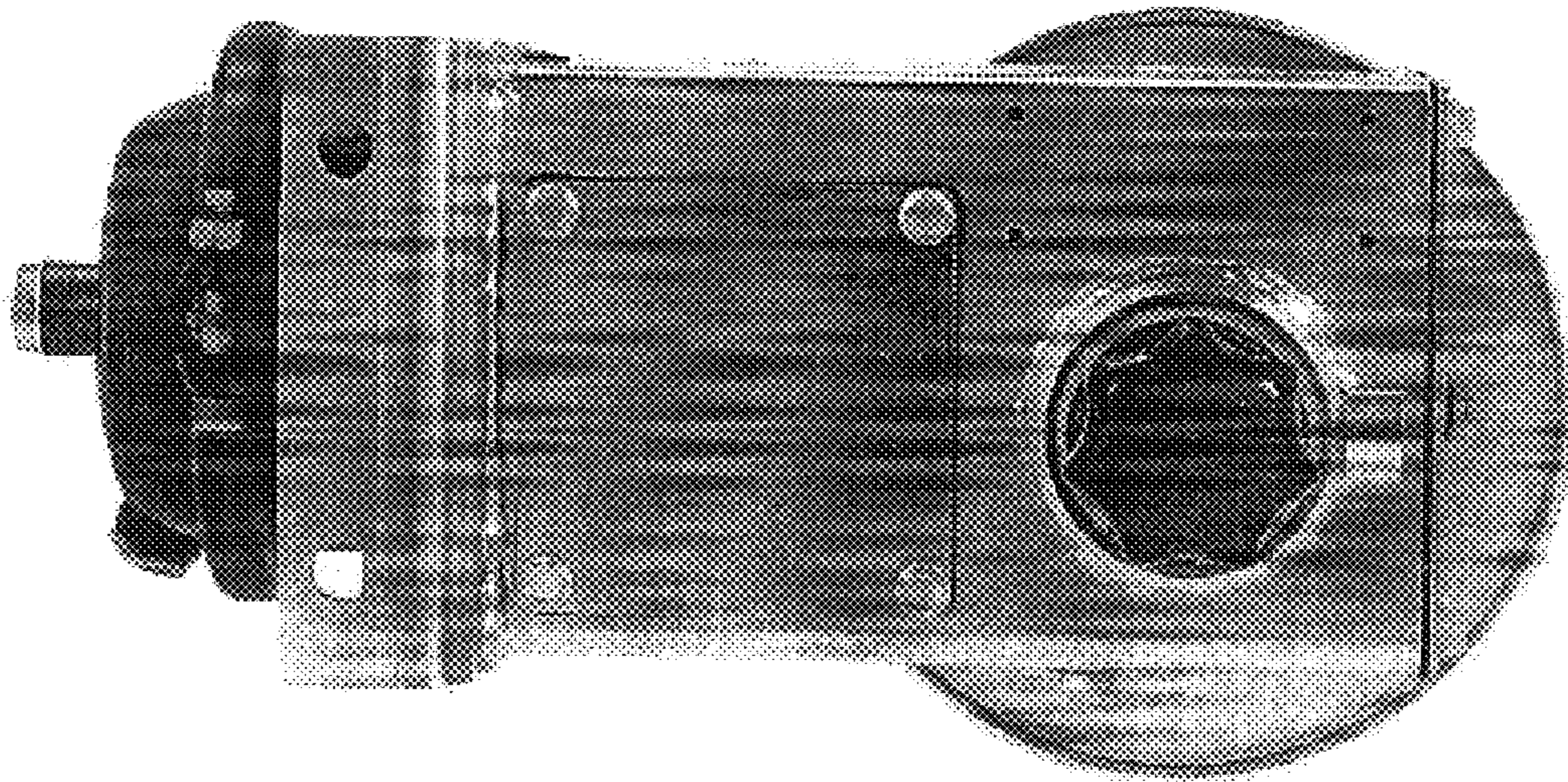


FIG. 20

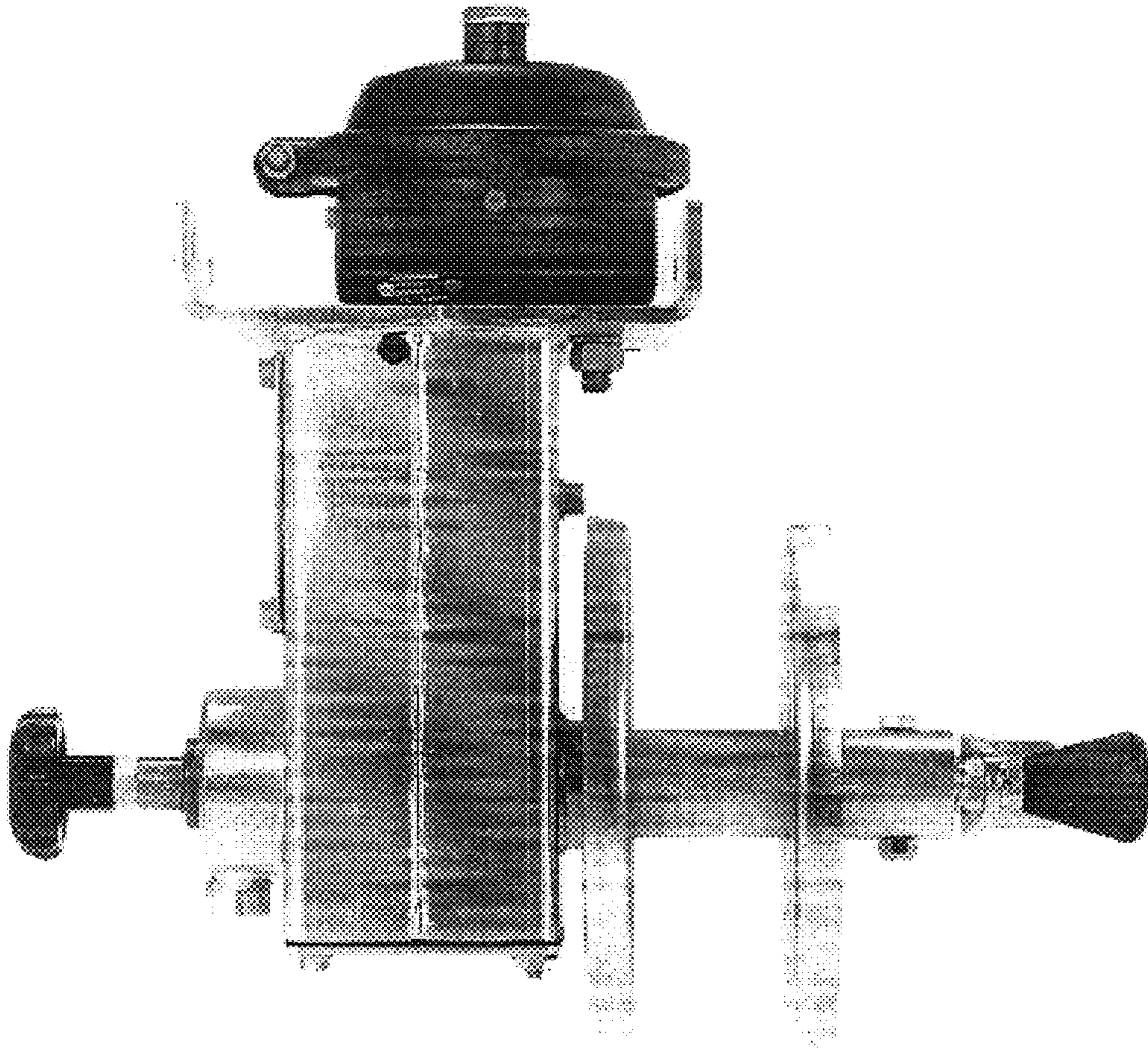


FIG. 21

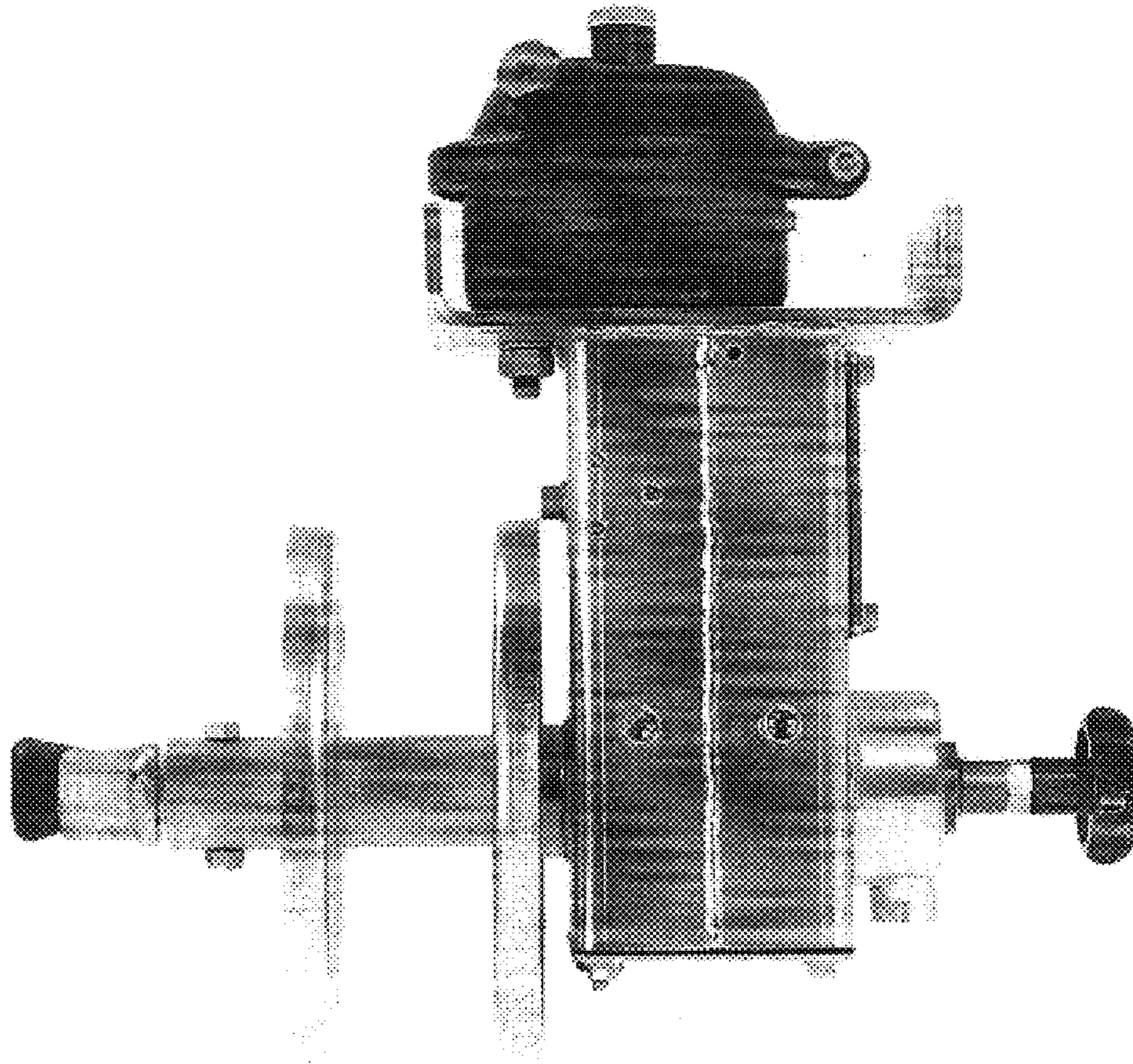


FIG. 22

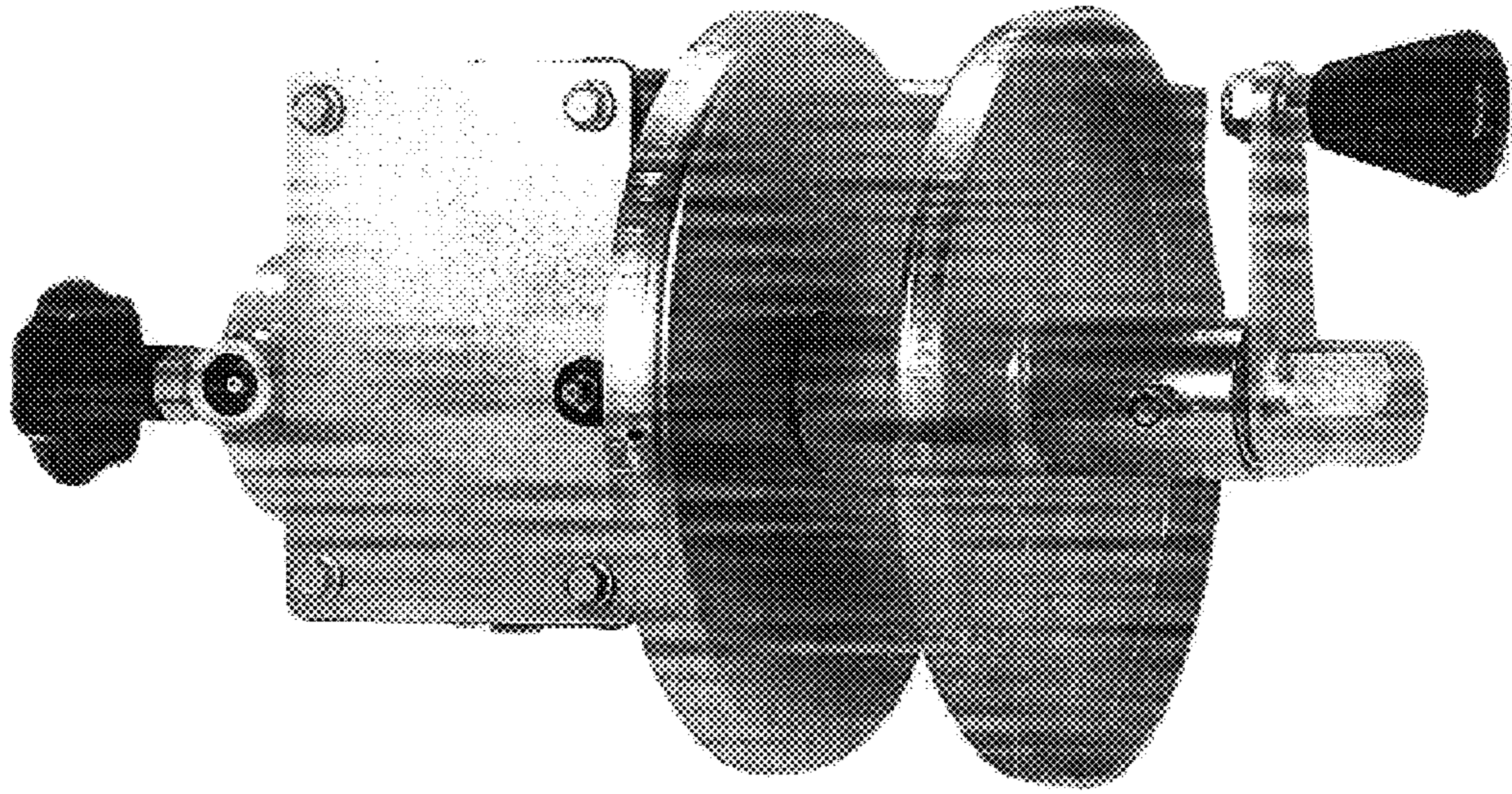


FIG. 23

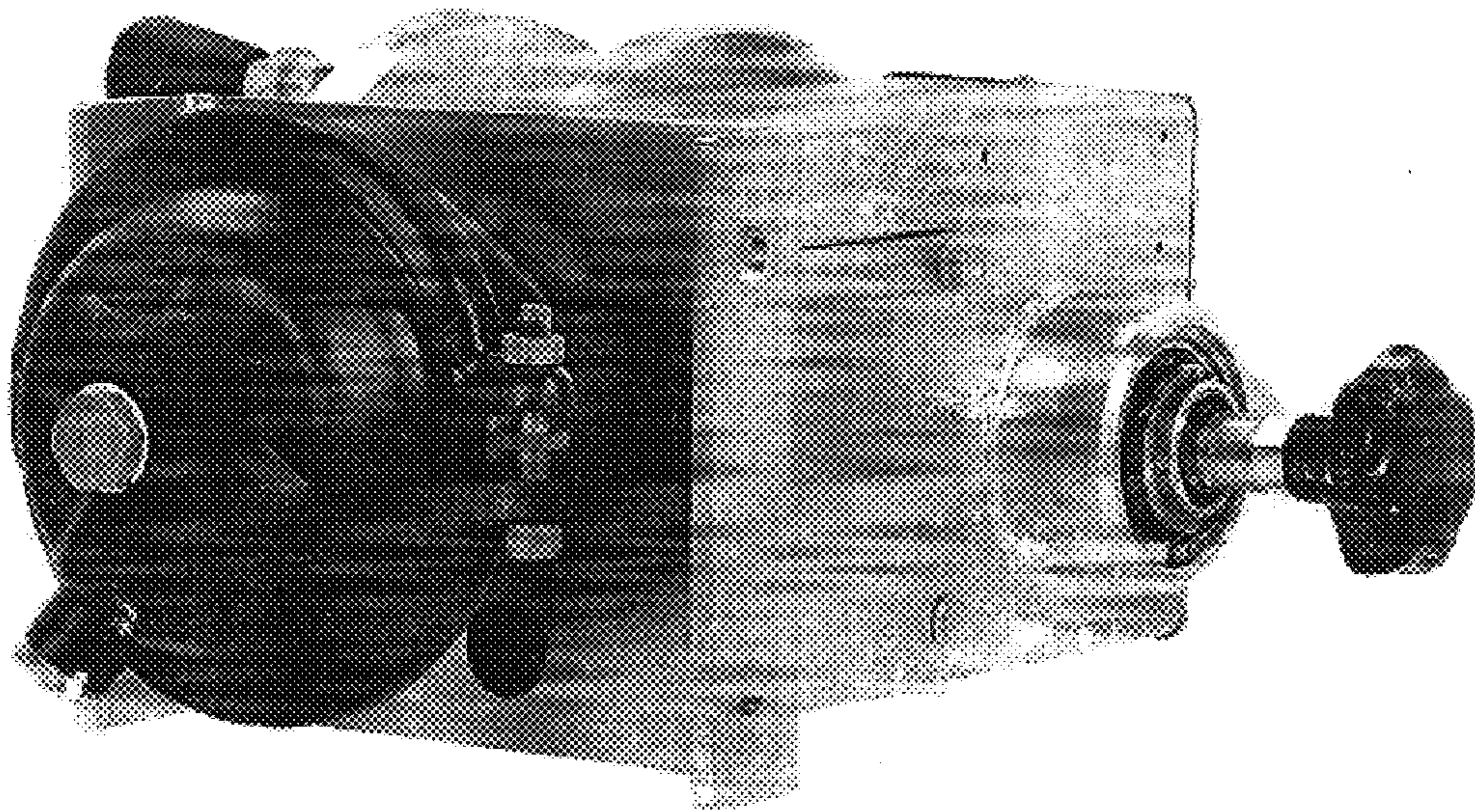


FIG. 24

UNITED STATES PATENT AND TRADEMARK OFFICE
CERTIFICATE OF CORRECTION

PATENT NO. : Des. 545,524 S
APPLICATION NO. : 29/236941
DATED : June 26, 2007
INVENTOR(S) : Pär Eriksson

Page 1 of 1

It is certified that error appears in the above-identified patent and that said Letters Patent is hereby corrected as shown below:

On the title page, amend Item (30) to read as follows:

--(30) **Foreign Application Priority Data**

Aug. 12, 2005 (EM) 000386289-0001--.

Signed and Sealed this

Twenty-seventh Day of May, 2008

A handwritten signature in black ink that reads "Jon W. Dudas". The signature is written in a cursive style with a large, looped initial "J".

JON W. DUDAS

Director of the United States Patent and Trademark Office