

US00D545523S

(12) **United States Design Patent**
Goldberg et al.

(10) **Patent No.:** **US D545,523 S**
(45) **Date of Patent:** **** Jun. 26, 2007**

(54) **COMBINED WASTE CONTAINER COVER AND WORK SURFACE DEVICE**

(76) Inventors: **Steven Lane Goldberg**, P.O. Box 676030, Rancho Santa Fe, CA (US) 92067; **Phillip Jay Berkovitz**, 2859 Vista Acedera, Carlsbad, CA (US) 92009

(**) **Term:** **14 Years**

(21) **Appl. No.:** **29/231,550**

(22) **Filed:** **Jun. 7, 2005**

(51) **LOC (8) Cl.** **09-09**

(52) **U.S. Cl.** **D34/11**

(58) **Field of Classification Search** D34/1, D34/7, 10, 11; D7/550.1, 552.1, 553.1, 554.3; 108/25, 42, 26; 297/188.09, 188.12
See application file for complete search history.

(56) **References Cited**

U.S. PATENT DOCUMENTS

- 3,181,483 A 5/1965 De Vitt et al.
- 4,041,964 A 8/1977 Shamoon
- D247,765 S * 4/1978 Pariente D7/552.1
- 4,379,587 A 4/1983 Duncan
- 4,524,701 A * 6/1985 Chappell 108/44
- 4,810,031 A 3/1989 Patterson
- 4,846,076 A 7/1989 Menges, Sr. et al.
- 5,170,720 A * 12/1992 Scheurer 108/44
- 5,572,934 A 11/1996 Aldridge et al.
- 5,586,805 A 12/1996 Rinehart
- 5,592,884 A 1/1997 Glick et al.
- 5,860,534 A * 1/1999 Minneman et al. 211/13.1
- 5,918,550 A * 7/1999 Weir et al. 108/42
- D423,290 S * 4/2000 Green D7/553.5
- 6,148,737 A 11/2000 Bowman et al.

- 6,321,662 B1 11/2001 Fraise
- 6,745,702 B2 6/2004 Goldberg et al.
- 6,748,874 B2 * 6/2004 Gawronski 108/42
- D508,596 S * 8/2005 Chochinov et al. D34/10
- 7,073,449 B2 * 7/2006 Pipkin 108/44
- D527,953 S * 9/2006 Le Gal D7/552.1

FOREIGN PATENT DOCUMENTS

FR 2 696 625 A1 4/1994

OTHER PUBLICATIONS

Barreltop Workcenter, Inc., "Barreltop Workcenter: The Worlds Greatest Portable Worktable", Retrieved from the internet: <http://www.barreltop1.com/default.asp>.

* cited by examiner

Primary Examiner—Cynthia E. Ramirez

(74) *Attorney, Agent, or Firm*—Stephen C. Beuerle; Procopio Cory Hargreaves & Savitch LLP

(57) **CLAIM**

The ornamental design for a combined waste container cover and work surface device, as shown and described.

DESCRIPTION

FIG. 1 is a front perspective view of the combined waste container cover and work surface device showing our new design;

FIG. 2 is a rear elevational view of the device.

FIG. 3 is a front elevational view of the device.

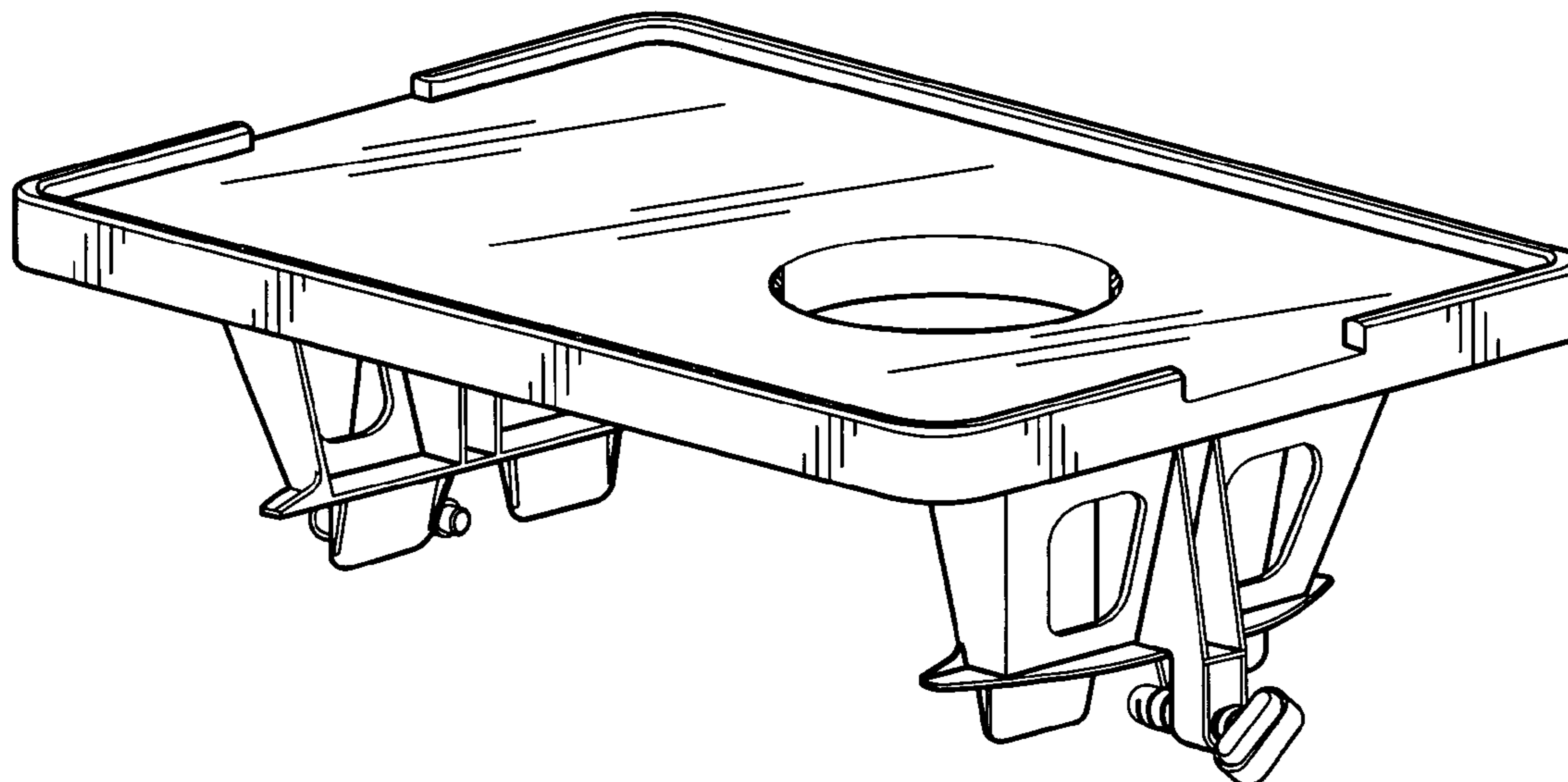
FIG. 4 is a right side elevational view of the device.

FIG. 5 is a left side elevational view of the device.

FIG. 6 is a top plan view of the device; and,

FIG. 7 is a bottom plan view of the device.

1 Claim, 4 Drawing Sheets



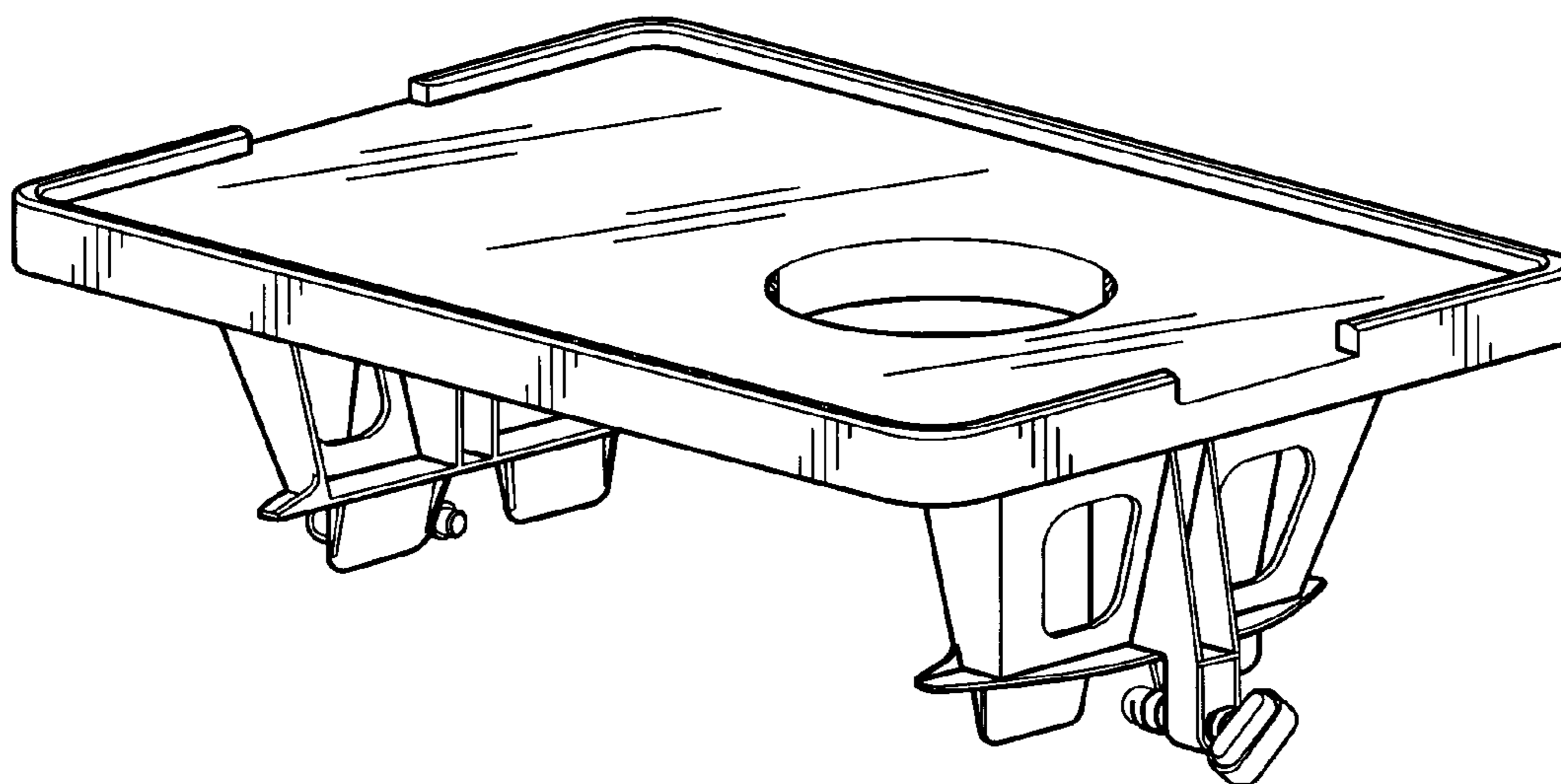


FIG. 1

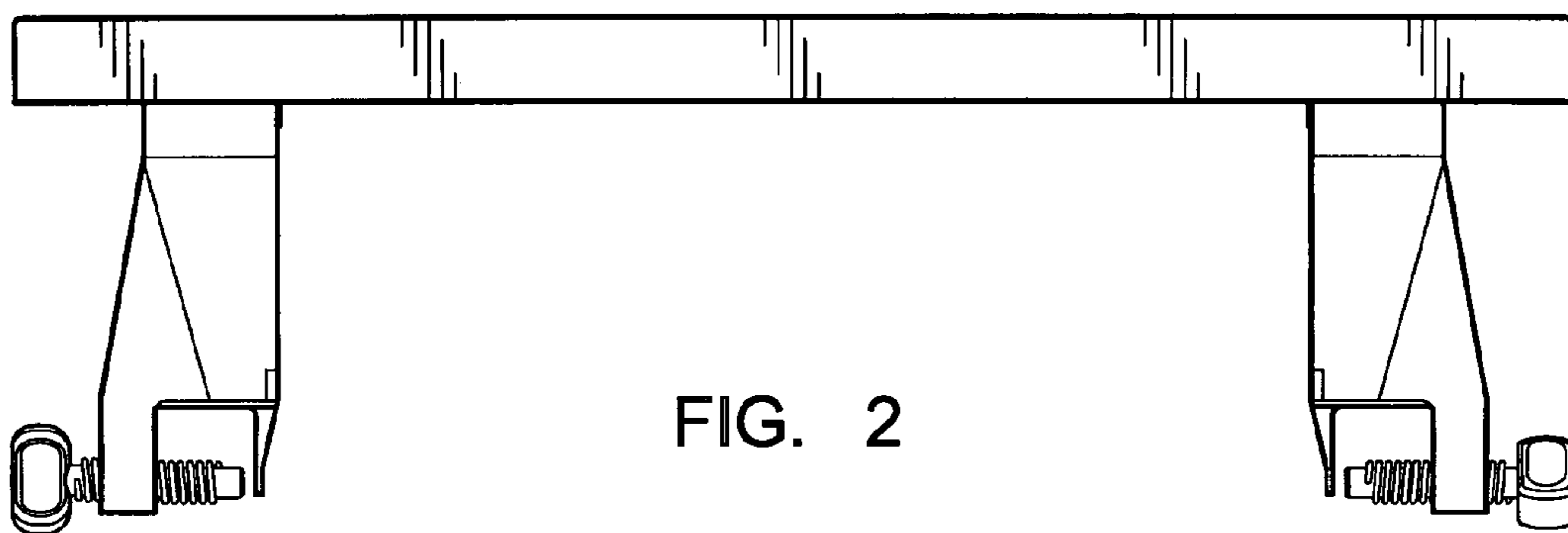


FIG. 2

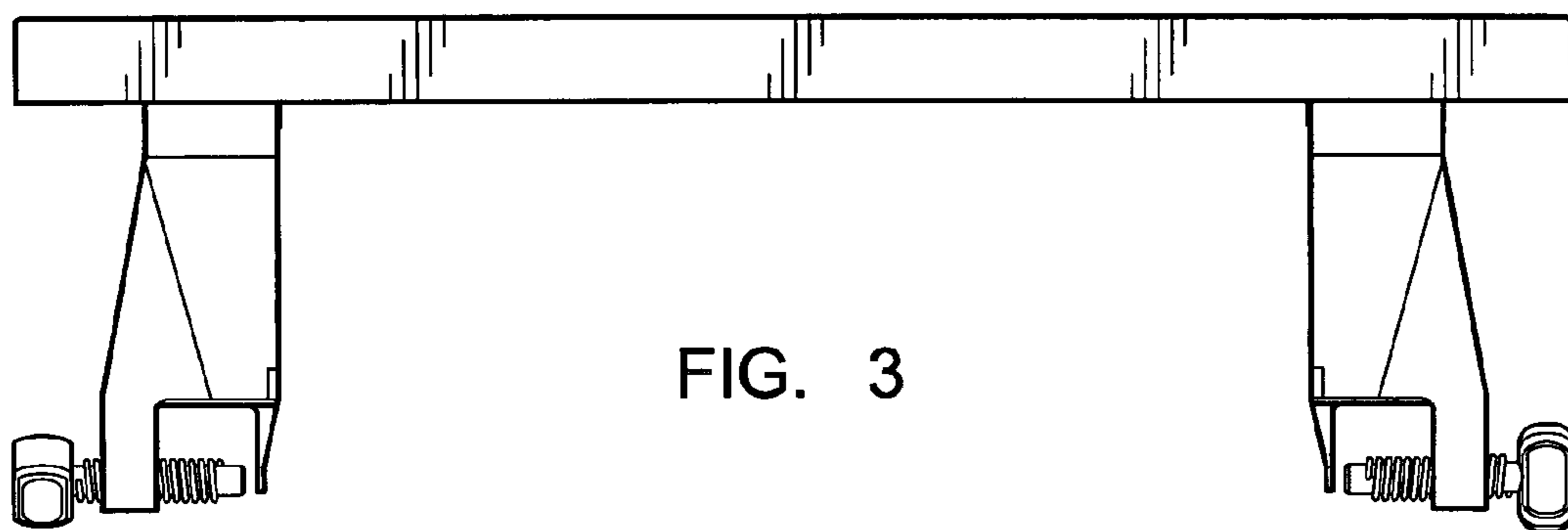


FIG. 3

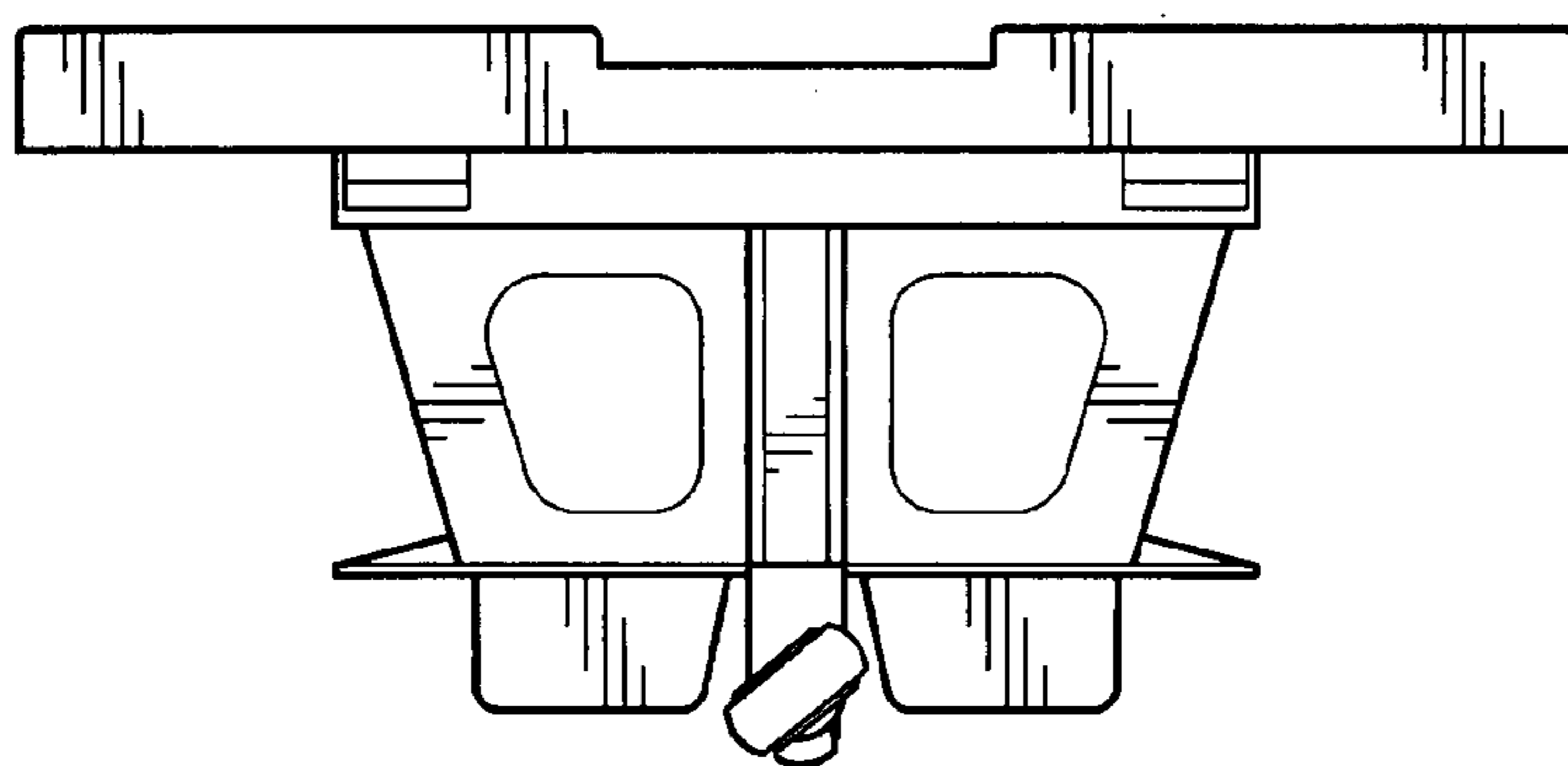


FIG. 4

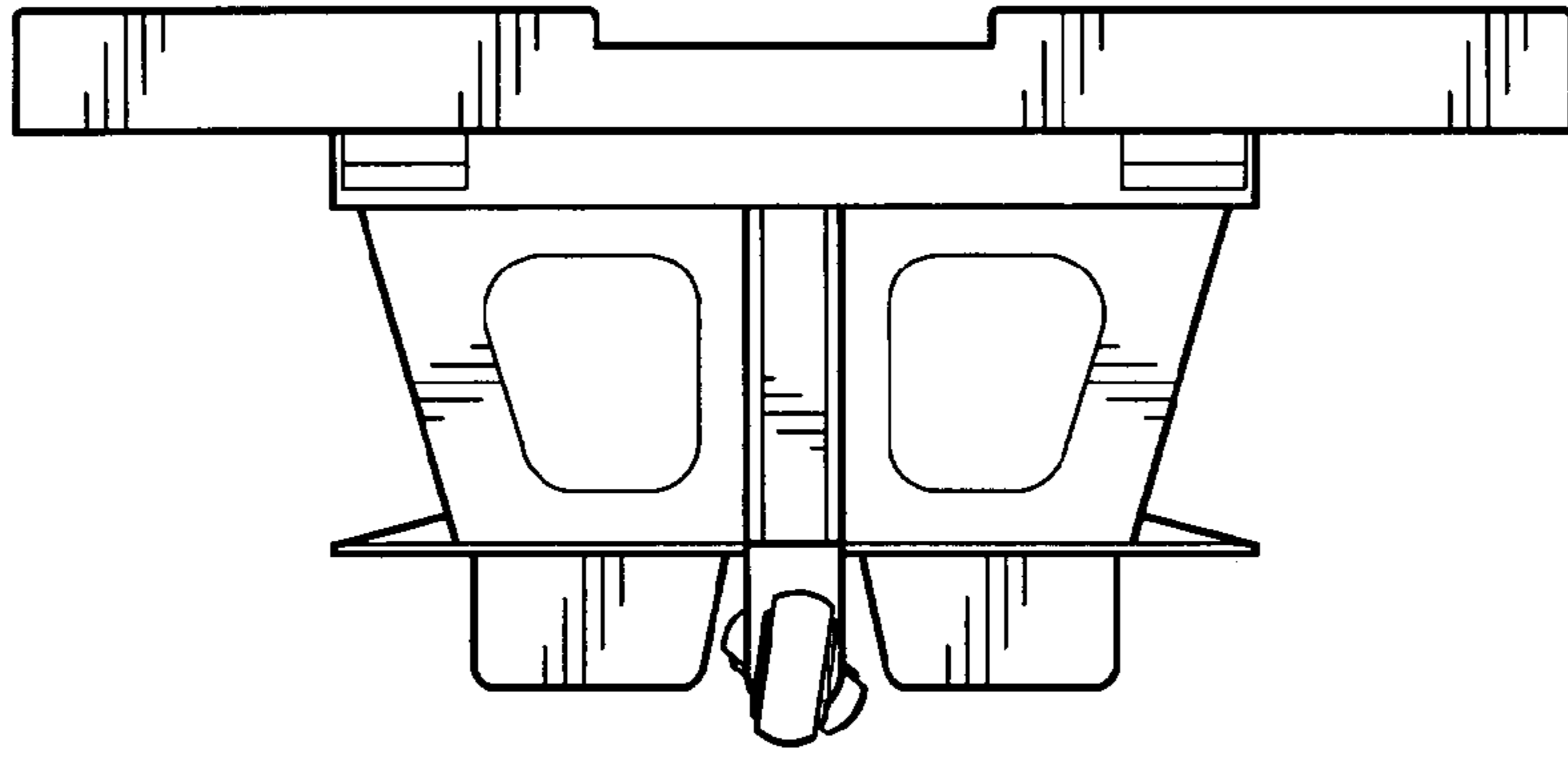


FIG. 5

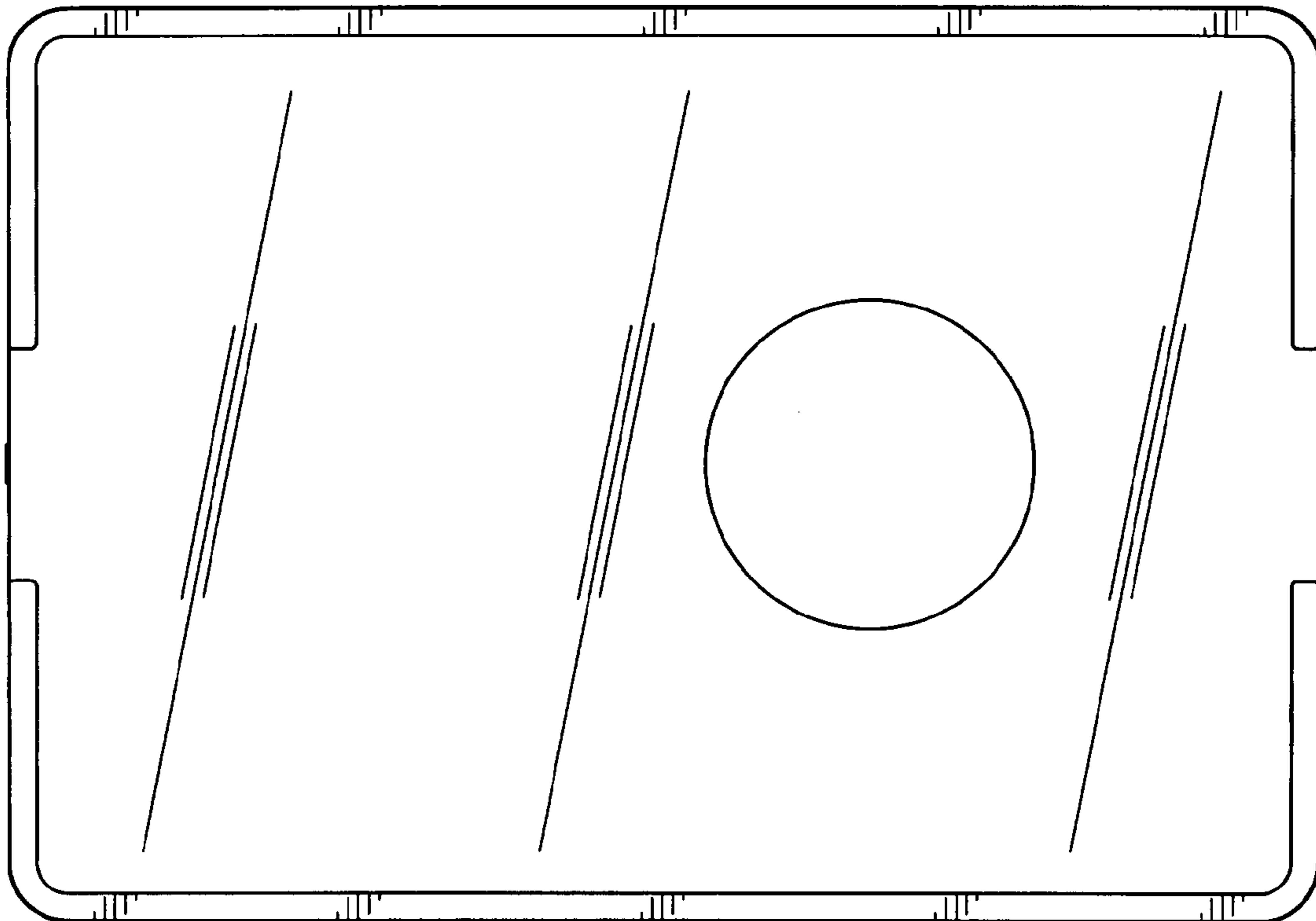


FIG. 6

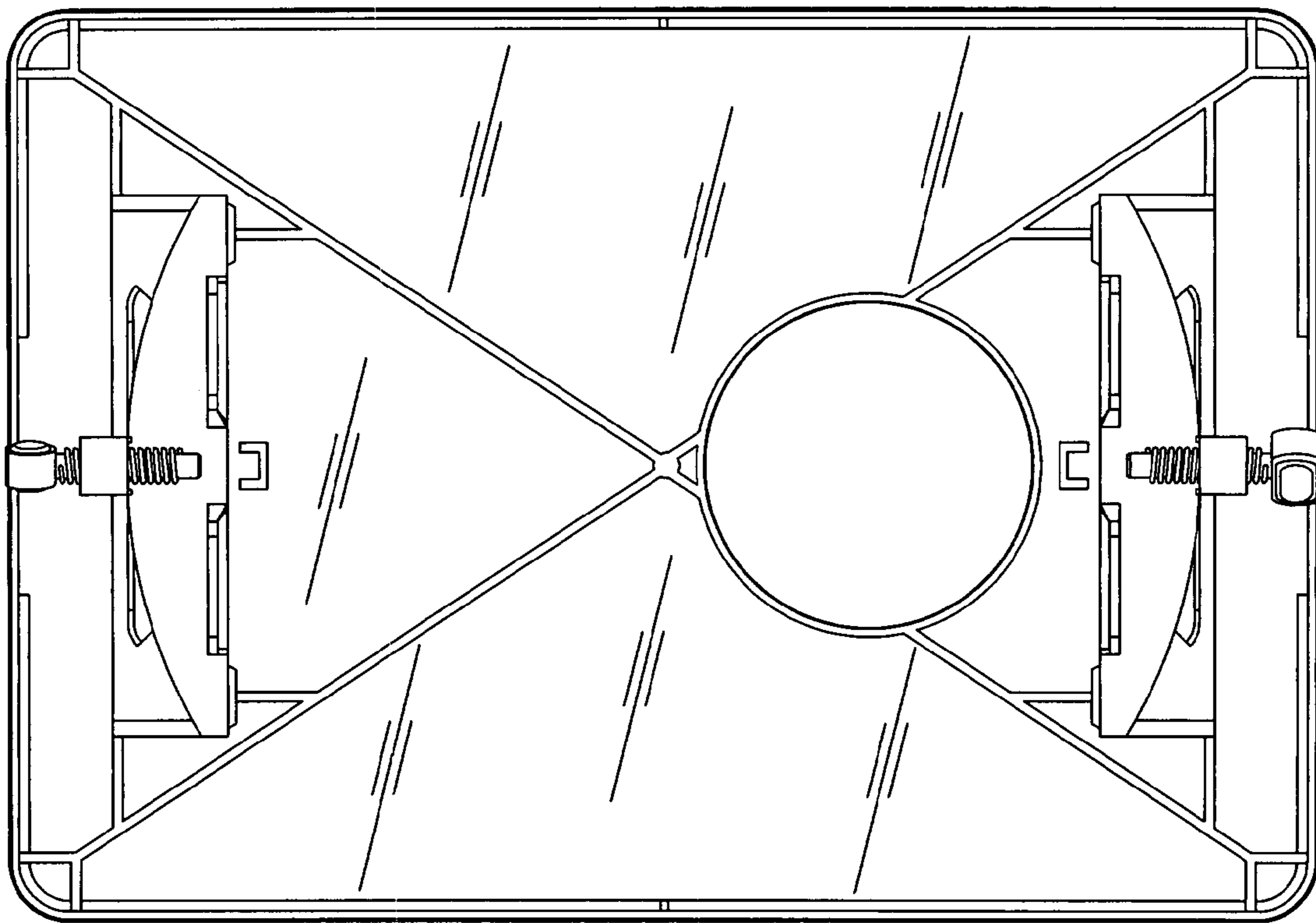


FIG. 7