



US00D545520S

(12) **United States Design Patent**
Oberdorf

(10) **Patent No.:** **US D545,520 S**
(45) **Date of Patent:** **** Jun. 26, 2007**

(54) **ROTARY CLOTHES DRYER**

(75) Inventor: **Joseph Elisabeth Oberdorf**, Leiden (NL)

(73) Assignee: **Brabantia Nederland B.V.**, Waalre (NL)

(**) Term: **14 Years**

(21) Appl. No.: **29/206,367**

(22) Filed: **May 27, 2004**

Related U.S. Application Data

(63) Continuation-in-part of application No. 29/206,031, filed on May 24, 2004, now abandoned.

(51) **LOC (8) Cl.** **07-05**

(52) **U.S. Cl.** **D32/58**

(58) **Field of Classification Search** D32/58-60, D32/65; D6/552, 546, 566; 211/85.7, 71.01, 211/85.18, 104-106, 86.01, 100, 183, 196-197, 211/189

See application file for complete search history.

(56) **References Cited**

U.S. PATENT DOCUMENTS

2,474,922 A * 7/1949 Unwin 211/167

(Continued)

Primary Examiner—Pamela J. Burgess

(74) *Attorney, Agent, or Firm*—Abelman, Frayne & Schwab

(57) **CLAIM**

The ornamental design for a rotary clothes dryer, as shown and described.

DESCRIPTION

FIG. 1 is a front left side elevational view of a rotary clothes dryer in an open configuration showing my new design;

FIG. 2 is a left side elevational view thereof;

FIG. 3 is front right side elevational view of an intermediate portion thereof;

FIG. 4 is a front left side elevational view of an upper portion of the rotary clothes dryer, with the rotary clothes dryer in the open configuration;

FIG. 5 is a front left side elevational view of the rotary clothes dryer in a closed configuration;

FIG. 6 is a left side elevational view of the rotary clothes dryer of FIG. 5;

FIG. 7 is an enlarged front right side elevational view of the intermediate portion of FIG. 5, substantially adjacent to a lower portion of the rotary clothes dryer, shown separately for clarity of disclosure, with said clothes dryer in the closed configuration;

FIG. 8 is an enlarged front left side elevational view of the lower portion spaced apart from the intermediate portion, shown separately for clarity of disclosure, thereof;

FIG. 9 is an enlarged top right side perspective view of the intermediate portion substantially adjacent to the lower portion as in FIG. 7, shown separately for clarity of disclosure;

FIG. 10 is an enlarged top front perspective view of a top portion of FIG. 5 of the rotary clothes dryer shown separately for clarity of disclosure, in the closed configuration,

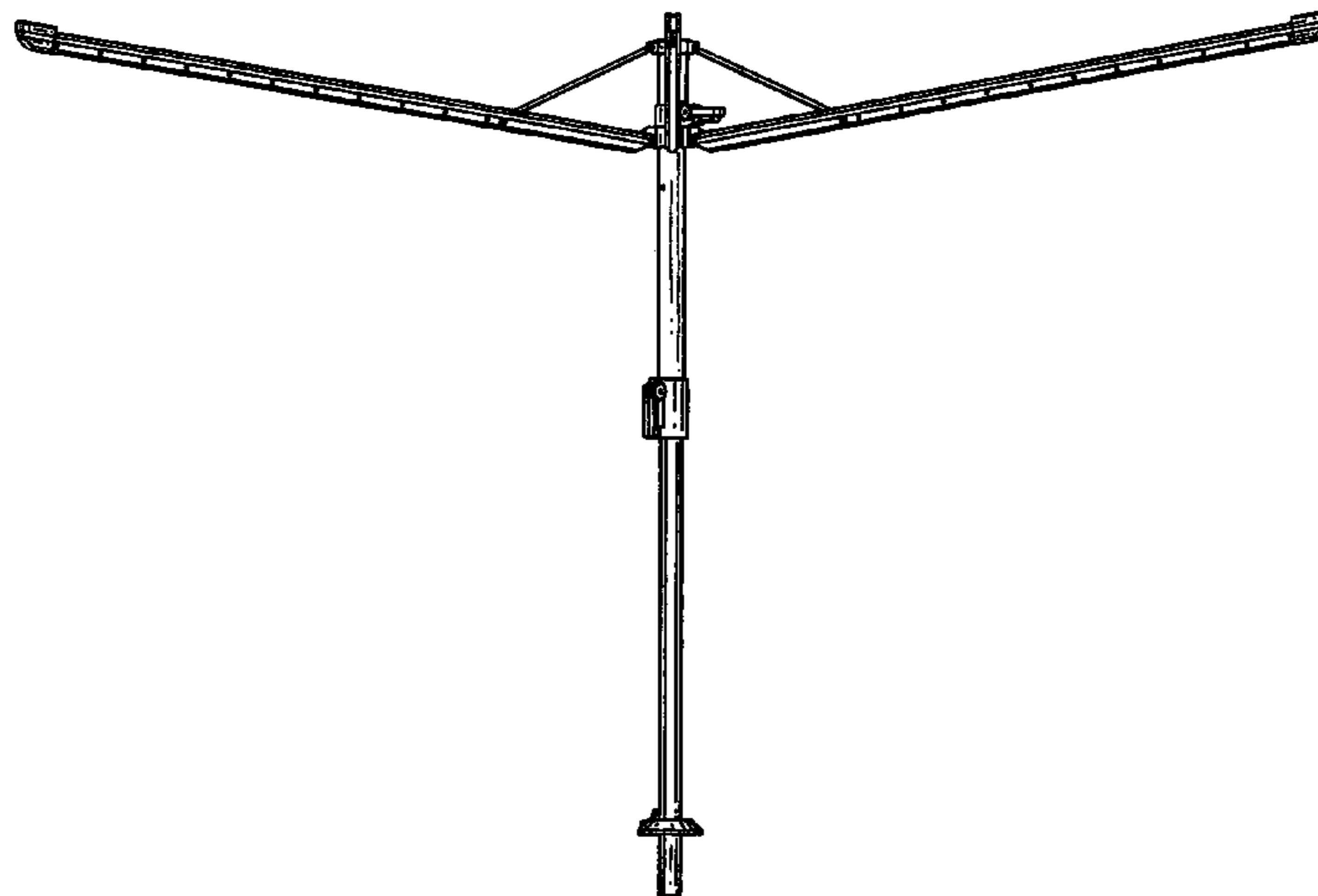
FIG. 11 is a top front left side perspective view of an alternative embodiment of the rotary clothes dryer in a closed configuration;

FIG. 12 is a top front right side perspective view of the alternative embodiment of the rotary clothes dryer in FIG. 11 in an open configuration;

FIG. 13 is a top plan view of the rotary clothes dryer of FIG. 5 in the closed configuration; and,

FIG. 14 is a top plan view of the alternative embodiment of the rotary clothes dryer of FIG. 12 in the open configuration.

1 Claim, 12 Drawing Sheets



US D545,520 S

Page 2

U.S. PATENT DOCUMENTS

2,618,392	A *	11/1952	Keutzer	211/104	4,830,202	A *	5/1989	Steiner	211/197
2,670,855	A *	3/1954	Pierie	211/197	D339,667	S *	9/1993	Fitzpatrick	D32/58
D254,471	S *	3/1980	Seabrook	D32/58	5,280,847	A *	1/1994	Blum et al.	222/593
D261,350	S *	10/1981	Koshiyama	D32/58	D355,737	S *	2/1995	Breen	D32/58
4,550,840	A *	11/1985	Van Deursen	211/197	5,449,075	A *	9/1995	Meade et al.	211/197
4,610,364	A *	9/1986	Meade	211/183	D401,025	S *	11/1998	Williams et al.	D32/58

* cited by examiner

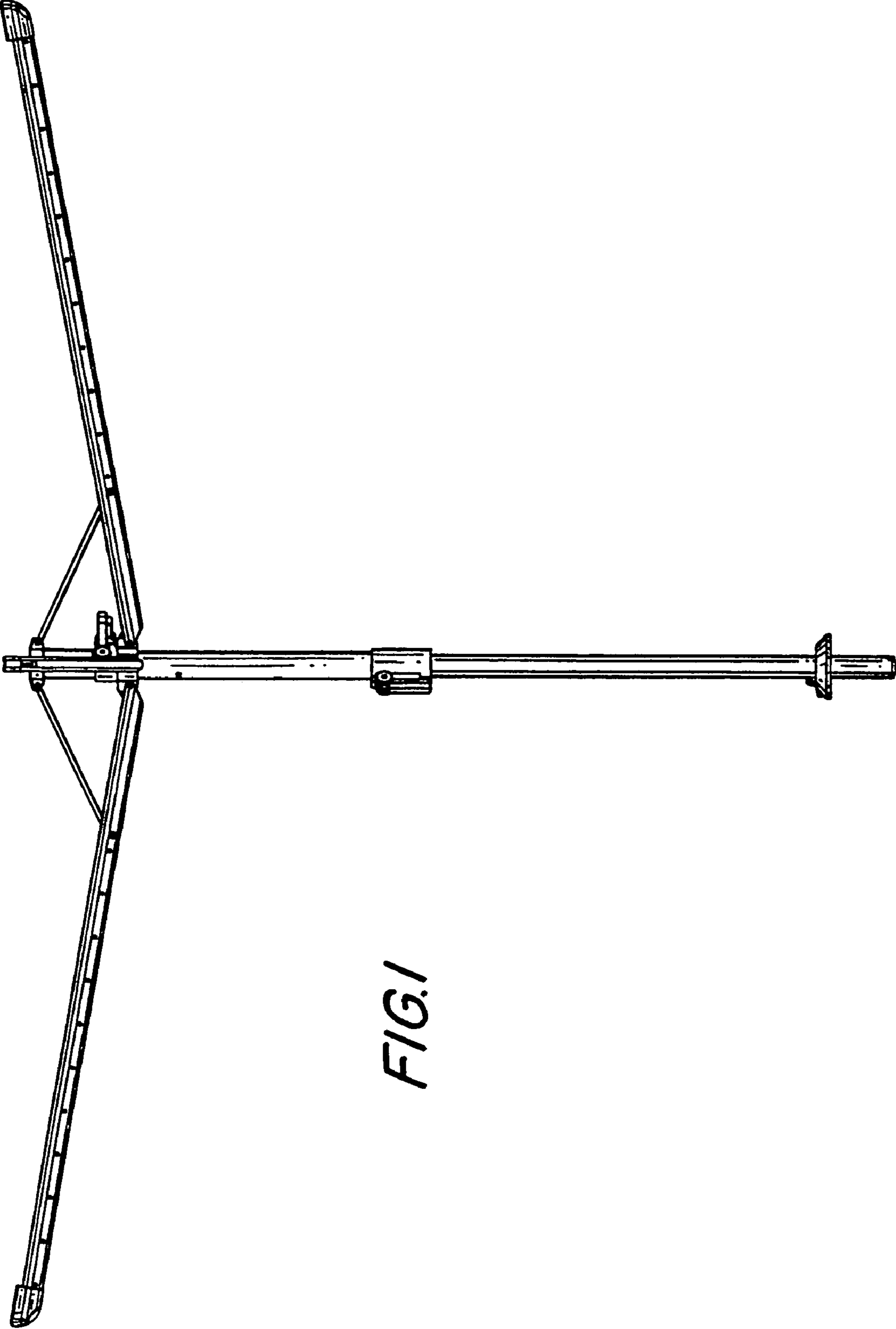
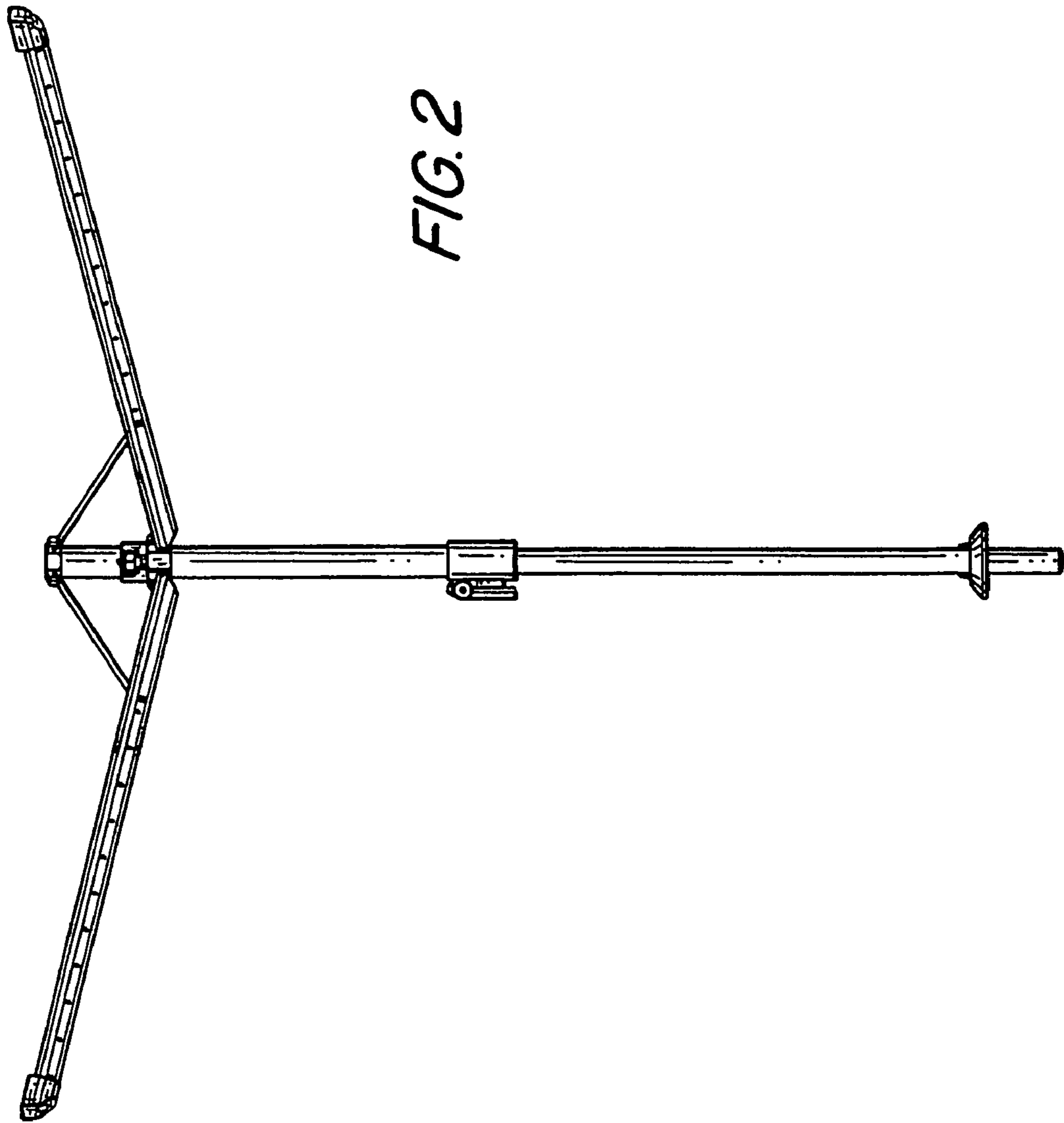


FIG. 1



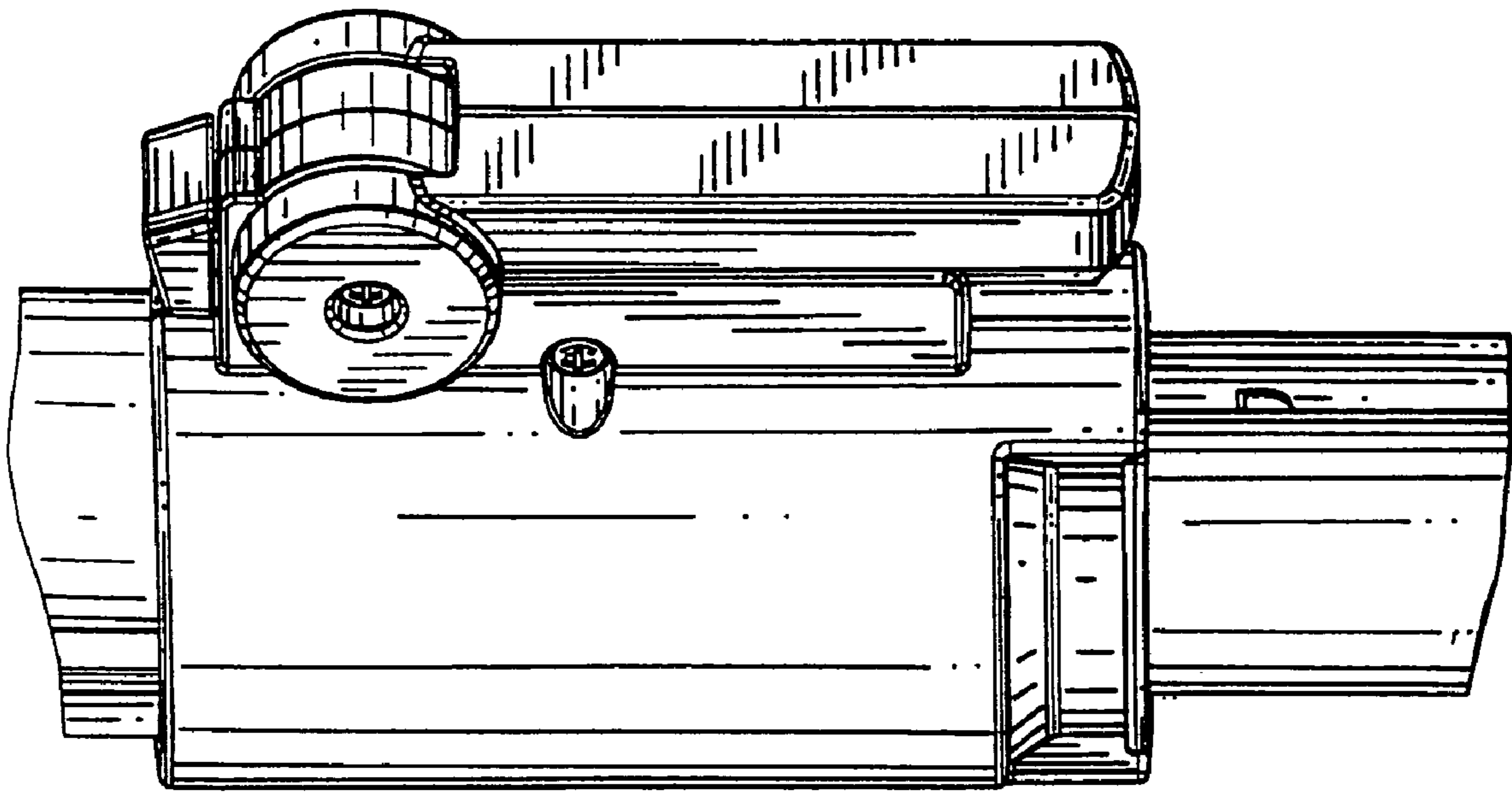


FIG. 3

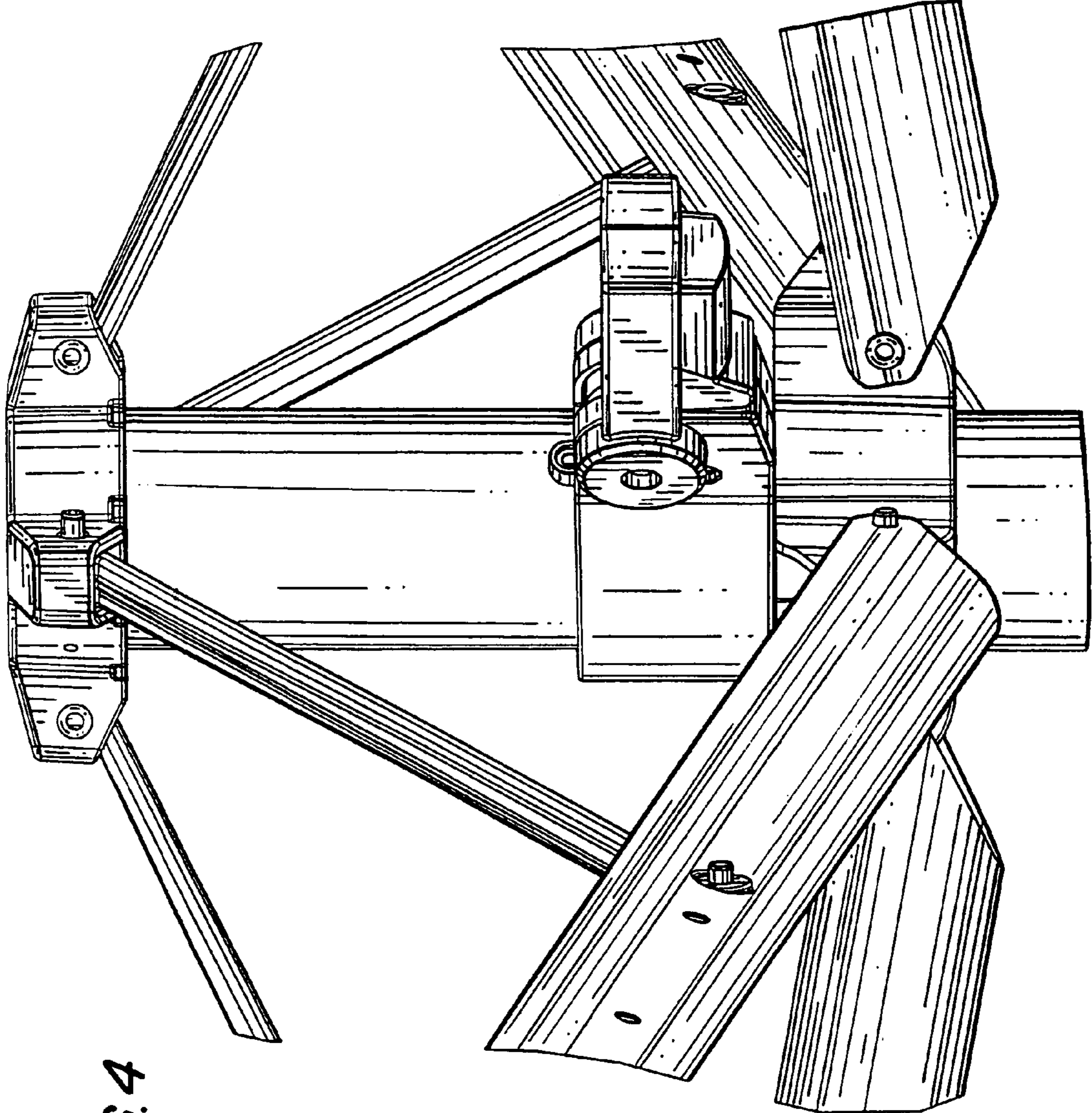


FIG. 4

FIG. 6

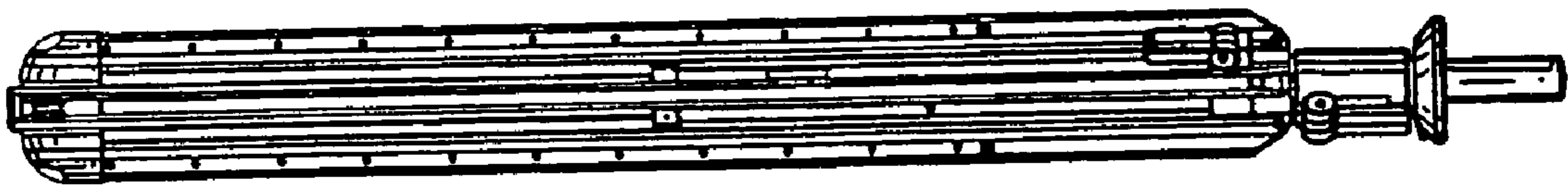
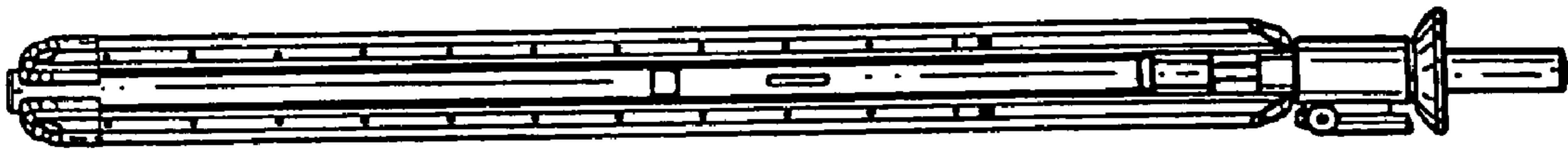


FIG. 5

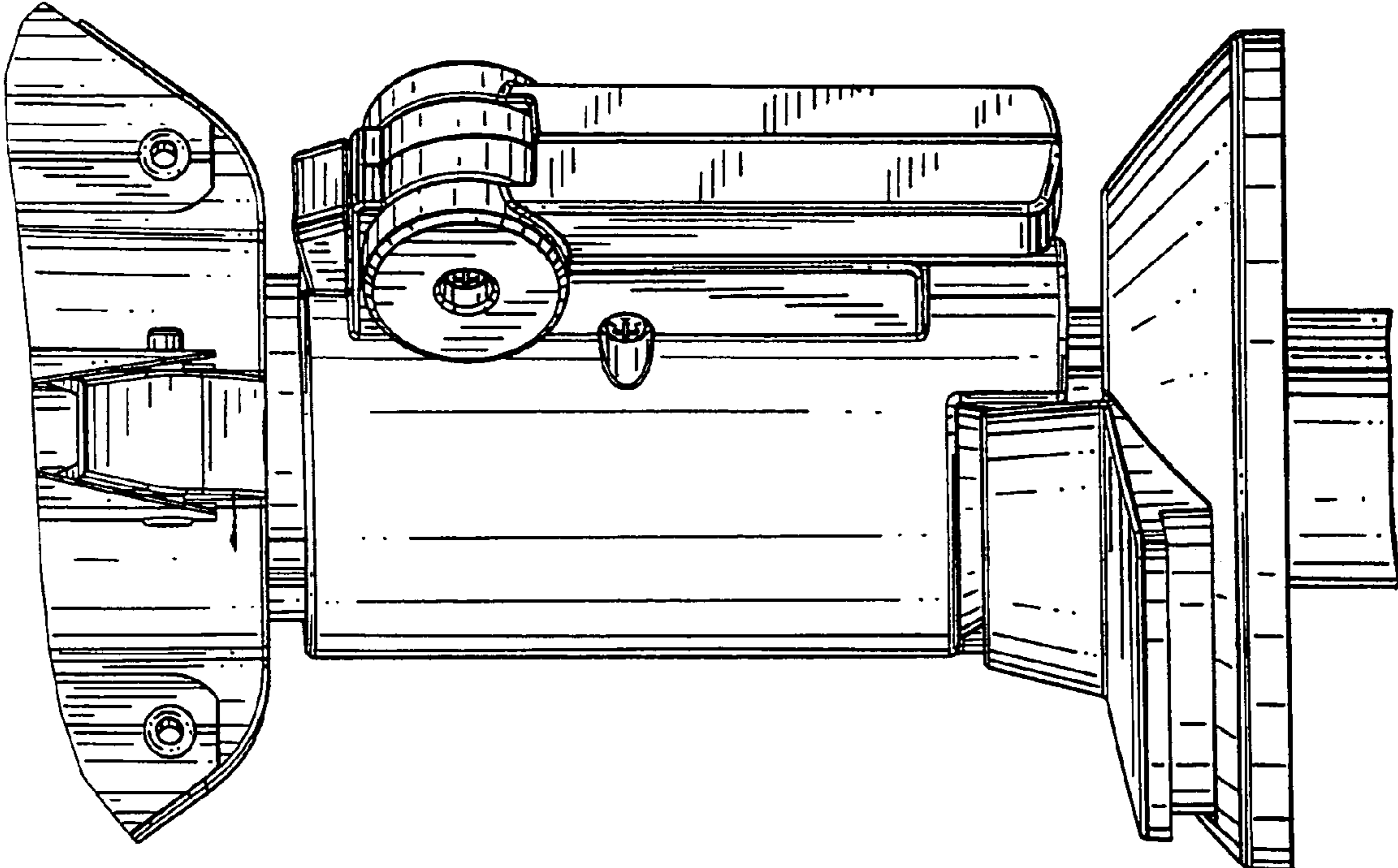


FIG. 7

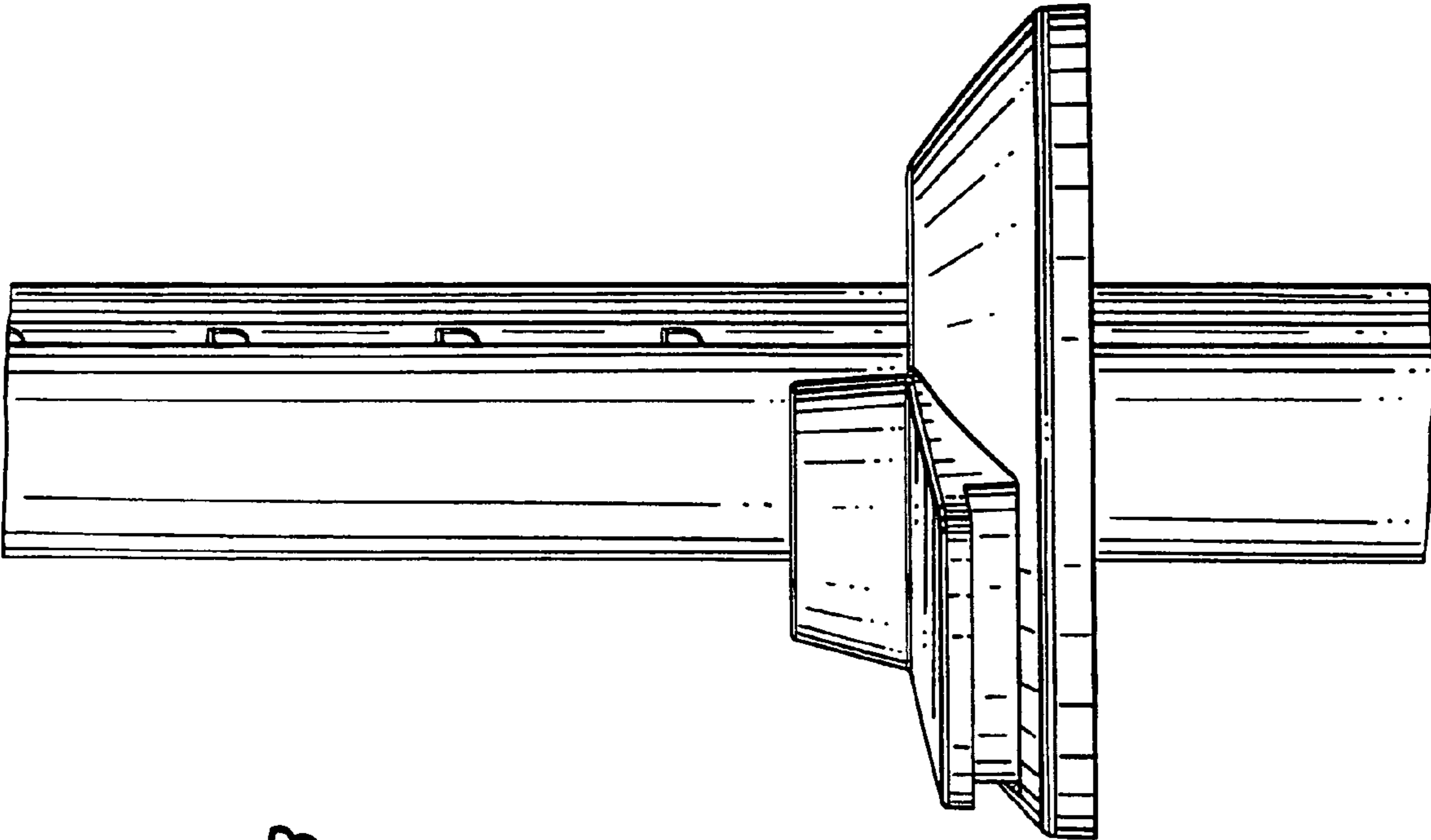


FIG. 8

FIG. 9

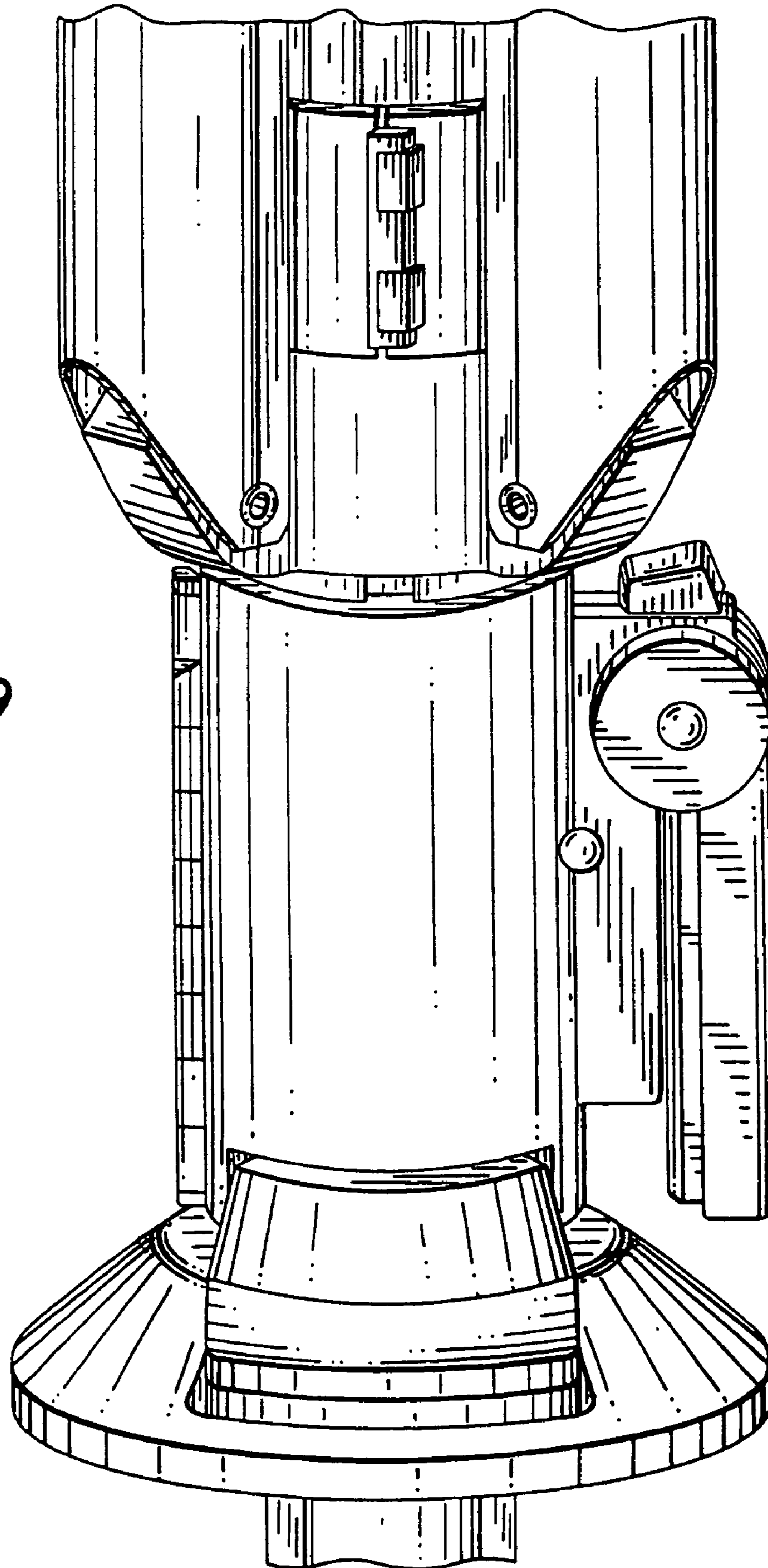


FIG.10

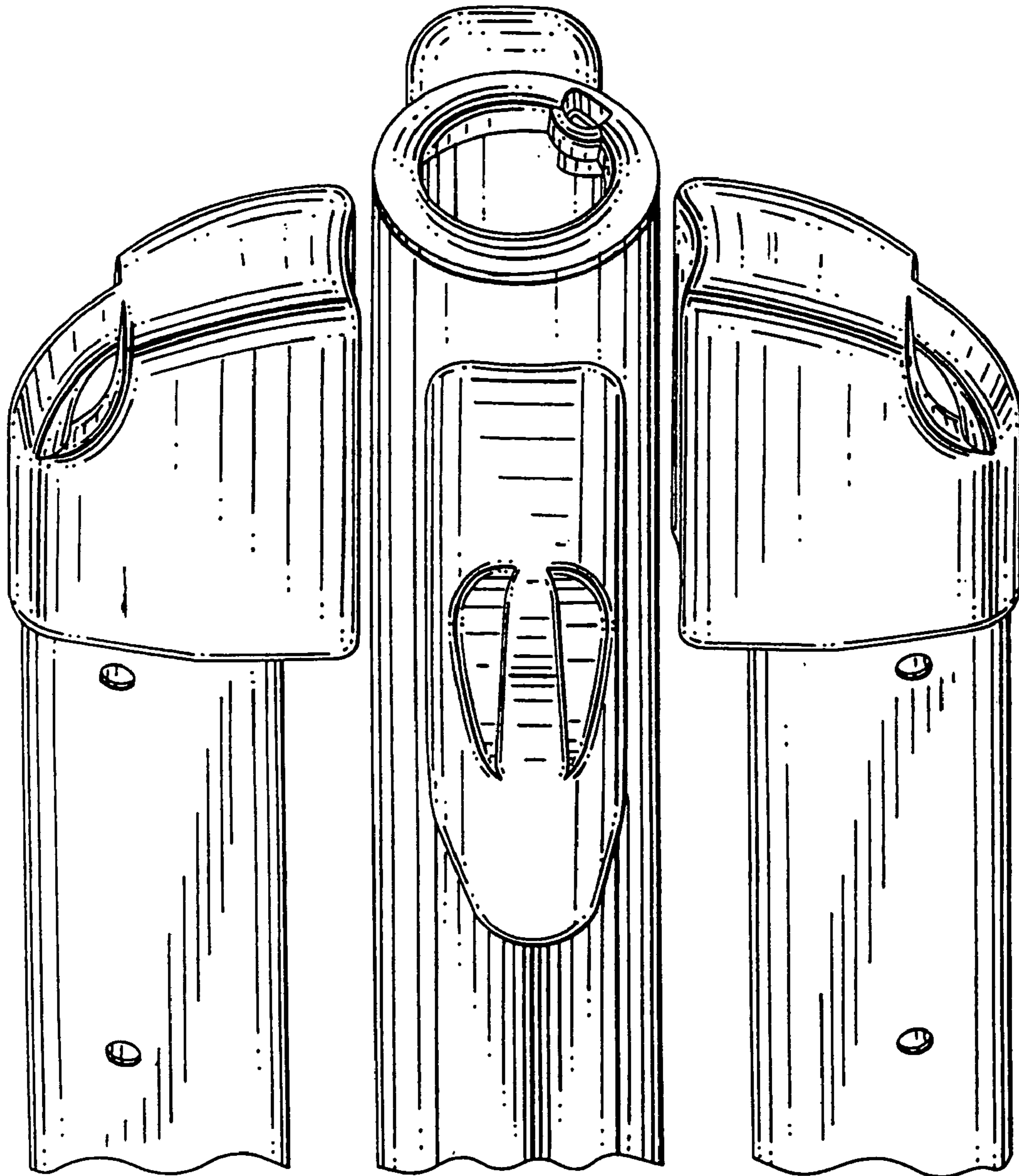
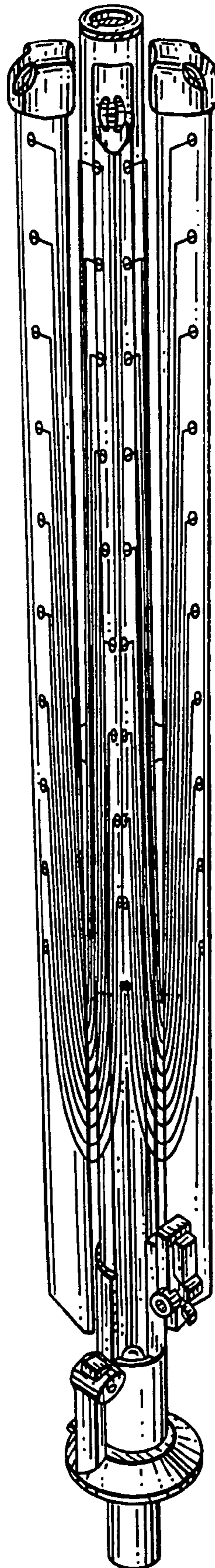


FIG. 11



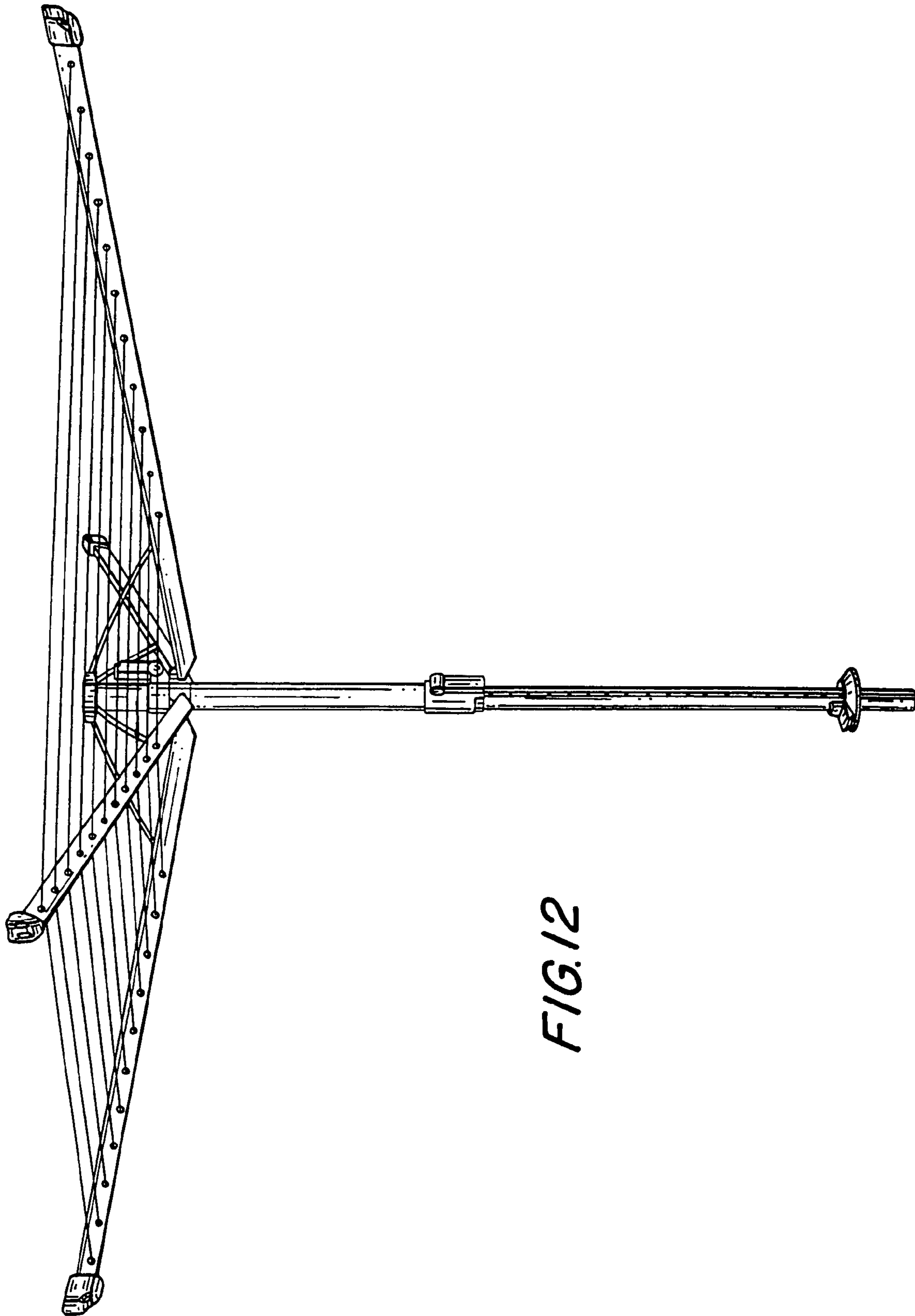


FIG. 12

FIG.13

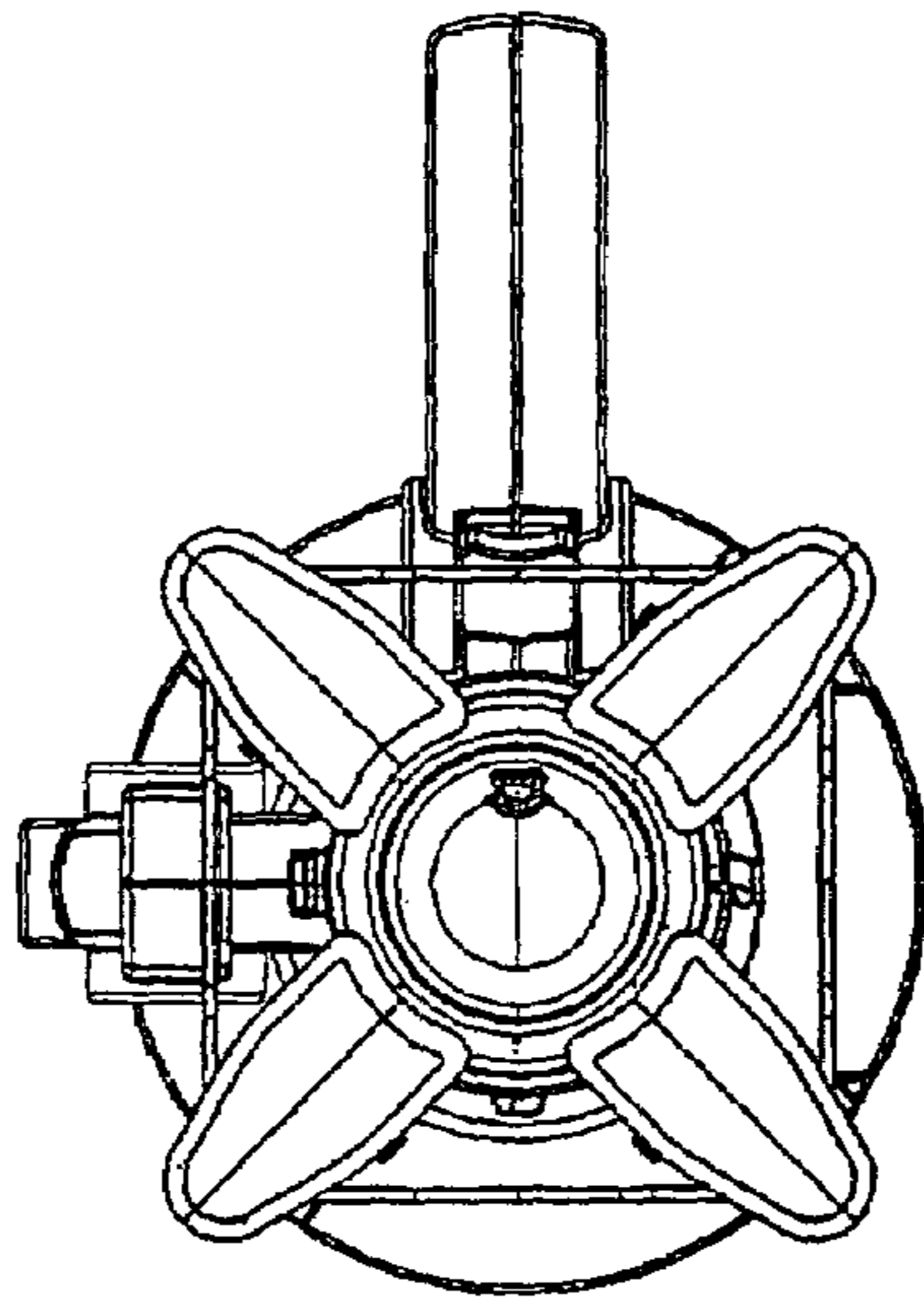


FIG.14

