



US00D545519S

(12) **United States Design Patent**  
**King**

(10) **Patent No.:** **US D545,519 S**

(45) **Date of Patent:** **\*\* Jun. 26, 2007**

(54) **BUCKET**

(76) **Inventor:** **Alan King**, 49-B Ravensbourne,  
Bromley, Kent (GB) BR1 1HW

(\*\*) **Term:** **14 Years**

(21) **Appl. No.:** **29/225,706**

(22) **Filed:** **Mar. 21, 2005**

(51) **LOC (8) Cl.** ..... **07-07**

(52) **U.S. Cl.** ..... **D32/53**

(58) **Field of Classification Search** ..... D32/53,  
D32/53.1, 54; D9/428, 435-436, 447; 15/257.05,  
15/257.06; 220/692-698, 700-701, 570,  
220/736, 526; 229/553; 248/110, 113, 213.2;  
206/15.3, 373, 362

See application file for complete search history.

(56) **References Cited**

**U.S. PATENT DOCUMENTS**

D216,833 S *	3/1970	Yates, Jr.	.....	D32/53
D220,972 S *	6/1971	Yates, Jr.	.....	D32/53
D289,455 S *	4/1987	Freiler	.....	D32/53
D295,093 S *	4/1988	Tapdrup	.....	D32/53
D350,900 S *	9/1994	Goetz	.....	D9/502

5,350,065 A *	9/1994	Darrey	.....	206/373
D352,143 S *	11/1994	Arshinoff	.....	D32/53
5,513,770 A *	5/1996	Seeley et al.	.....	220/729
6,260,730 B1 *	7/2001	Fellman	.....	220/495.02
D493,929 S *	8/2004	Schwarz	.....	D32/53
7,090,072 B1 *	8/2006	Elliott	.....	206/15.3

\* cited by examiner

*Primary Examiner*—Pamela J. Burgess

(57) **CLAIM**

The ornamental design for a bucket, as shown and described.

**DESCRIPTION**

FIG. 1 is a front elevation view of a bucket showing my new design;

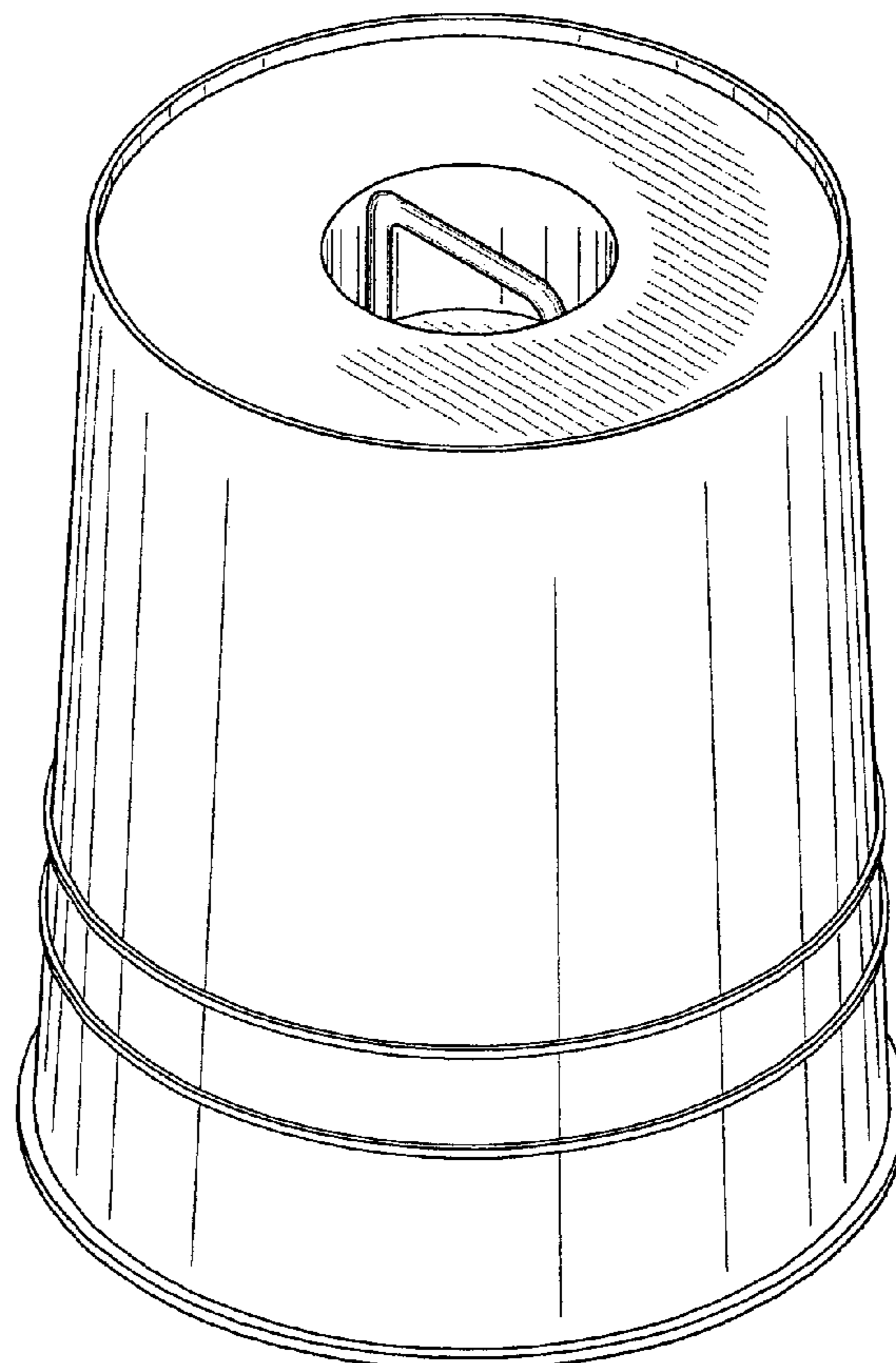
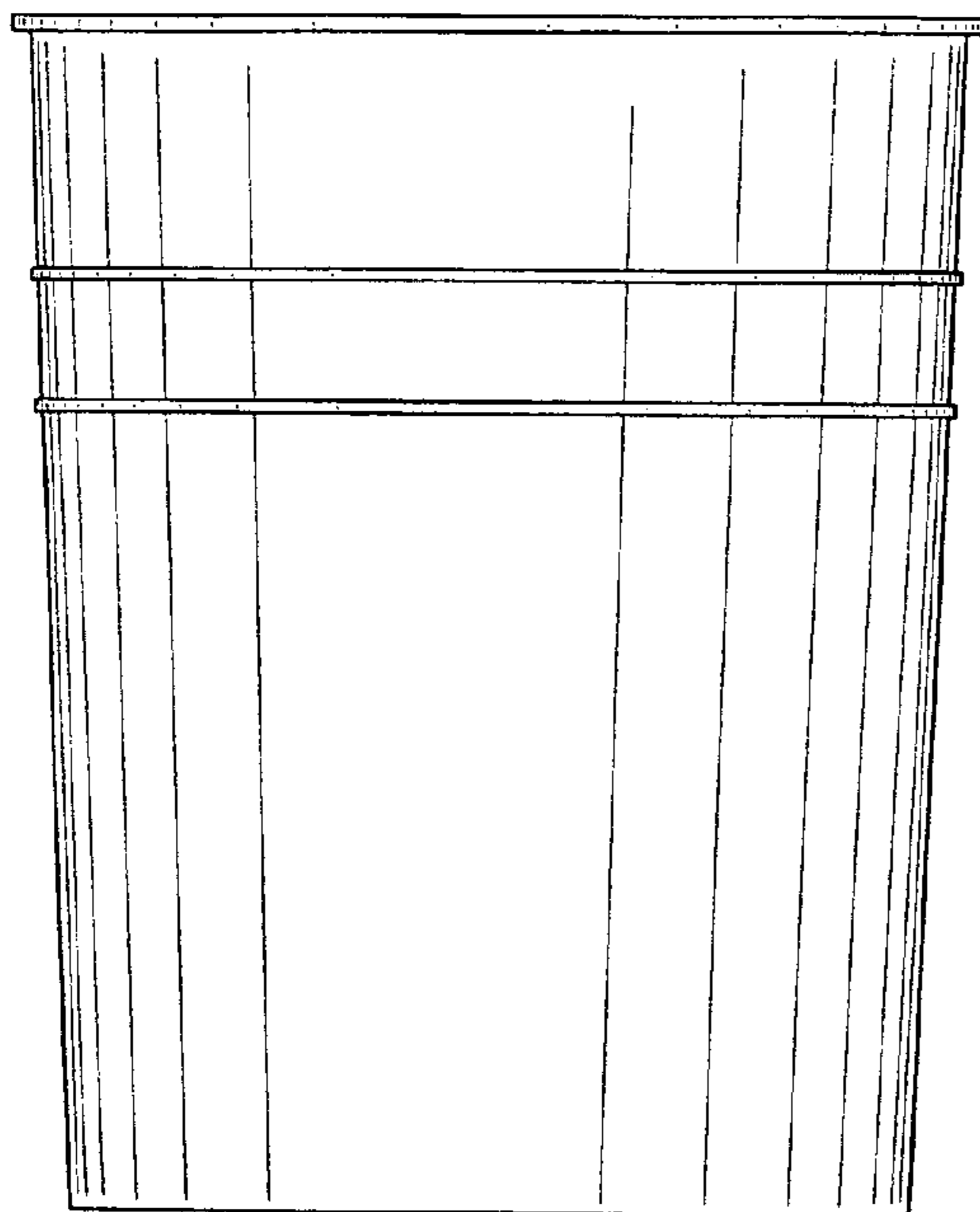
FIG. 2 is a front elevation view, with the lower portion of the bucket removed for clarity;

FIG. 3 is a top plan view;

FIG. 4 is bottom plan view; and,

FIG. 5 is a bottom side perspective view of a bucket showing my new design.

**1 Claim, 3 Drawing Sheets**



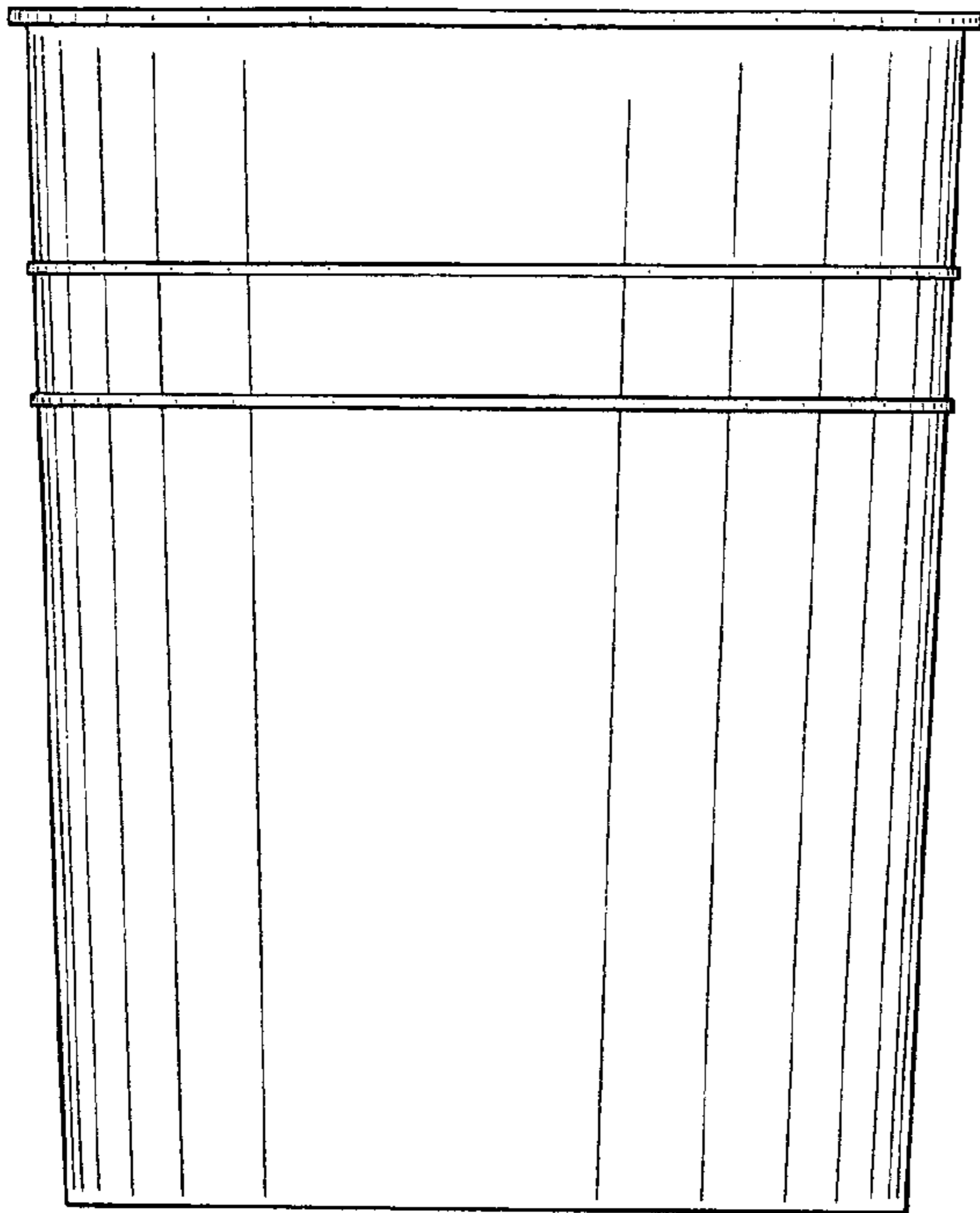


FIG. 1

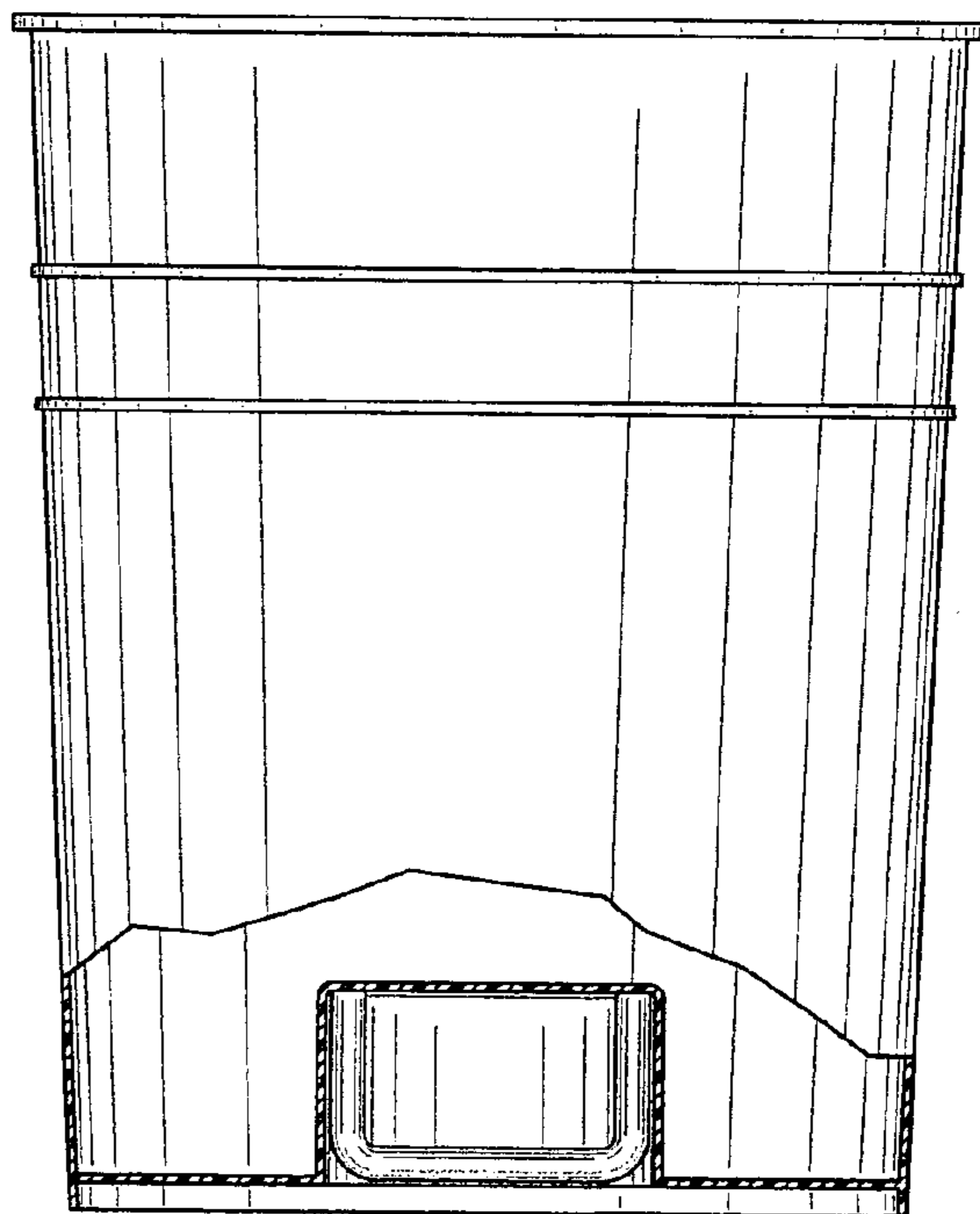


FIG. 2

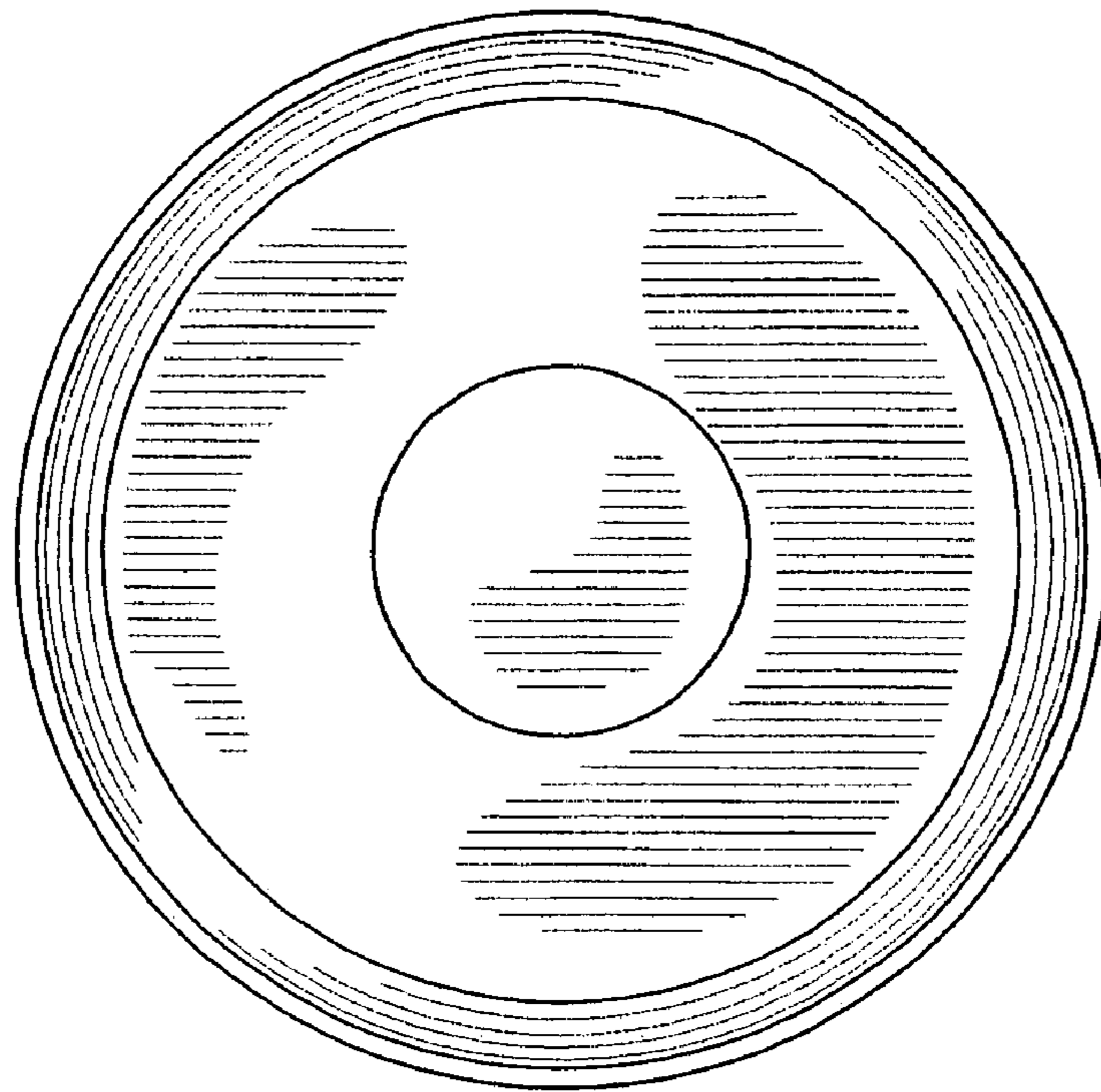


FIG. 3

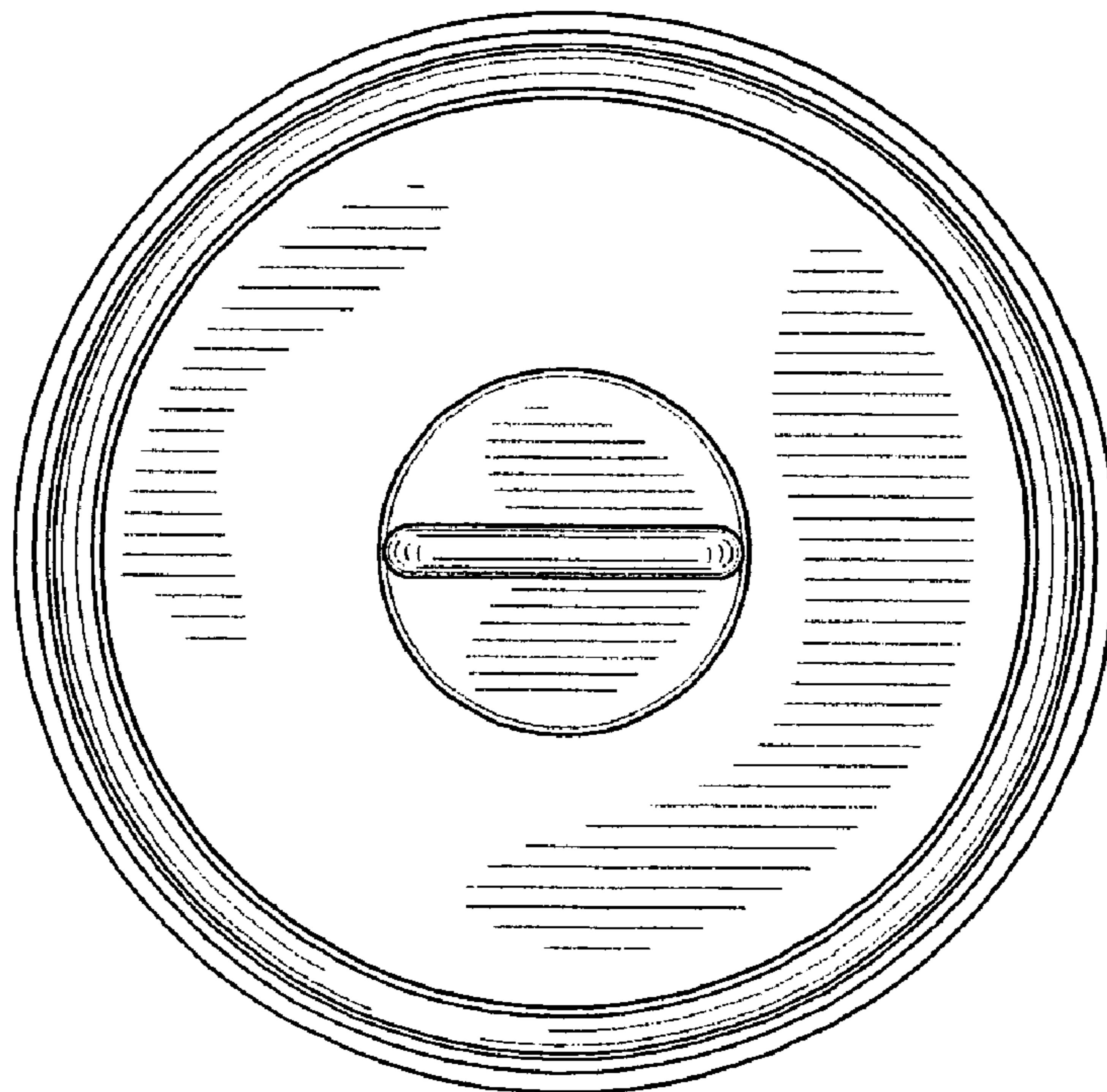


FIG. 4

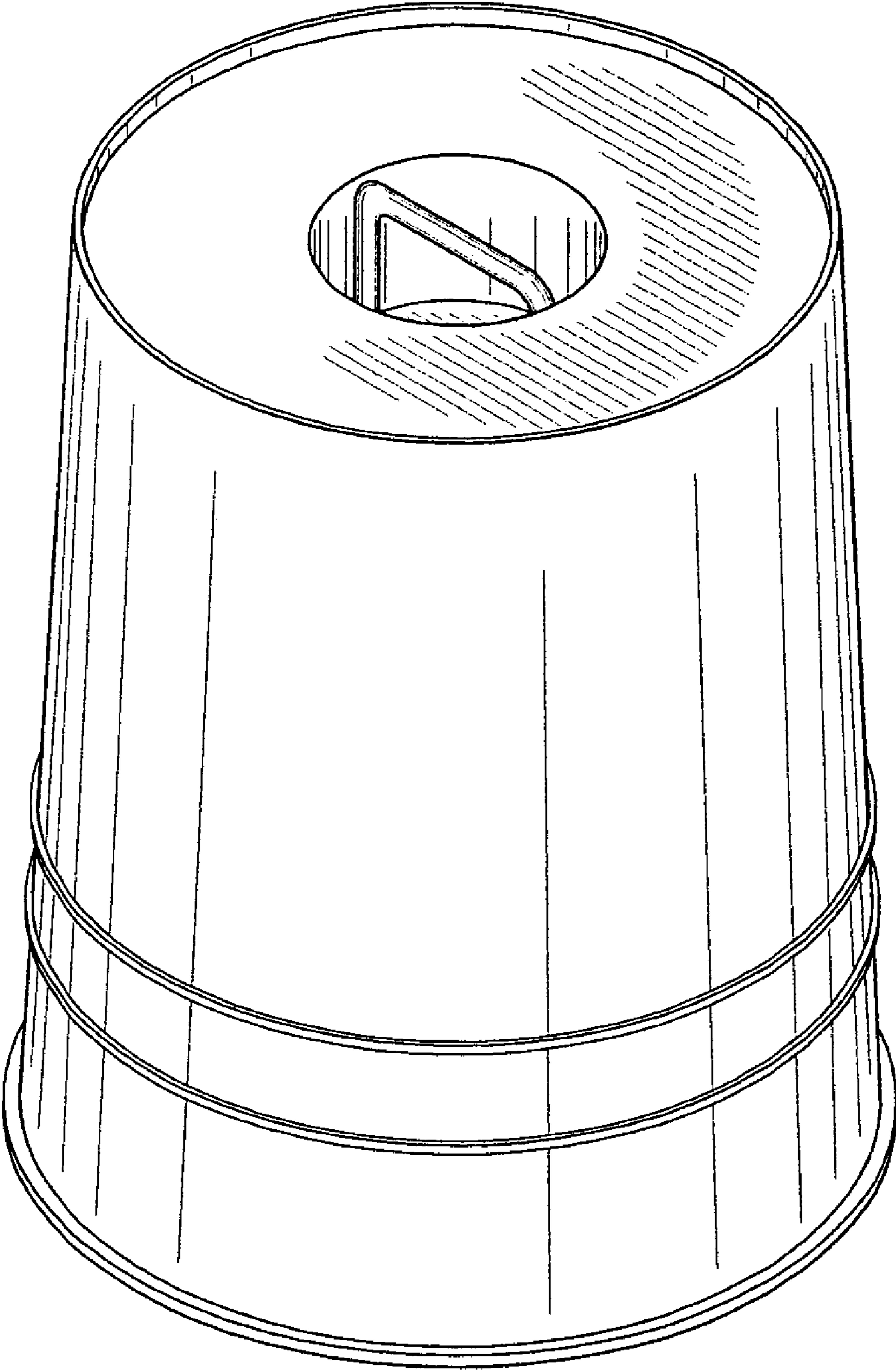


FIG. 5