

US00D545517S

(12) **United States Design Patent**
Erken

(10) **Patent No.:** **US D545,517 S**

(45) **Date of Patent:** **** Jun. 26, 2007**

(54) **MULTI-PURPOSE CLEANING TOOL**

6,061,864 A * 5/2000 Ensson 15/147.1
D458,722 S * 6/2002 Romero et al. D32/52
D481,184 S * 10/2003 Clare et al. D32/50

(75) Inventor: **Jacob Wilhemus Erken**, Haberfield
(AU)

* cited by examiner

(73) Assignee: **Jacob Wilhelmus Erken** (AU)

Primary Examiner—Pamela J. Burgess

(**) Term: **14 Years**

(74) *Attorney, Agent, or Firm*—Kathy Mojibi Kavcioglu

(21) Appl. No.: **29/248,632**

(57) **CLAIM**

(22) Filed: **Aug. 24, 2006**

I claim the ornamental design for the multi-purpose cleaning tool, as shown and described.

(51) **LOC (8) Cl.** **04-01**

(52) **U.S. Cl.** **D32/42; D32/51**

(58) **Field of Classification Search** D32/50–52,
D32/45; 15/116.1–116.2, 119.1–119.2, 147.1–147.2,
15/150, 228

See application file for complete search history.

DESCRIPTION

(56) **References Cited**

U.S. PATENT DOCUMENTS

D249,821 S * 10/1978 Cooke et al. D4/199
D287,173 S * 12/1986 Libman D32/51
D354,169 S * 1/1995 Roberts D4/137

FIG. 1 is a perspective view of a multi-purpose cleaning tool showing my new design;

FIG. 2 is a front view thereof;

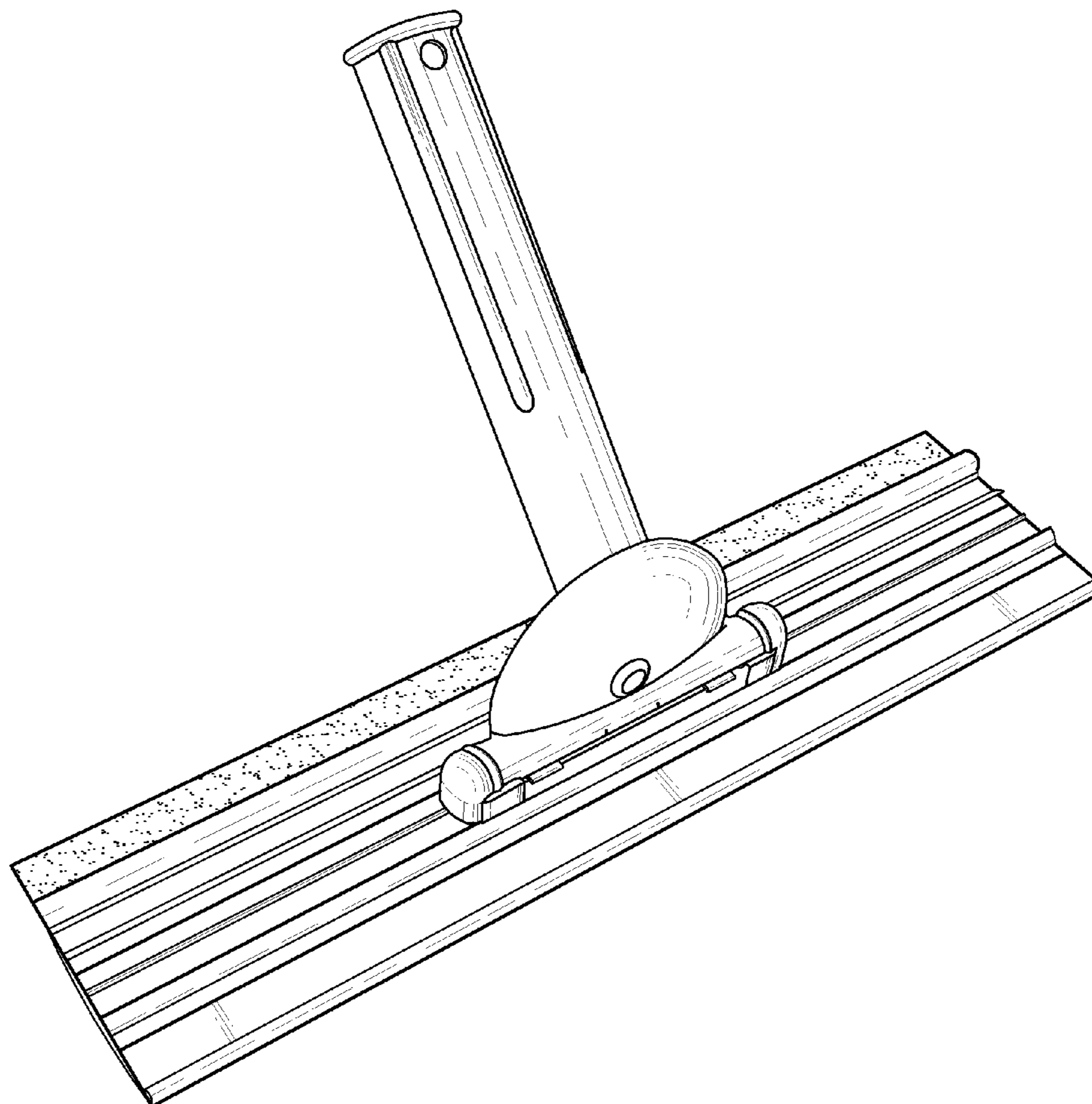
FIG. 3 is a rear view thereof;

FIG. 4 is a top view thereof;

FIG. 5 is a bottom view thereof; and,

FIG. 6 is a left side elevational view thereof.

1 Claim, 6 Drawing Sheets



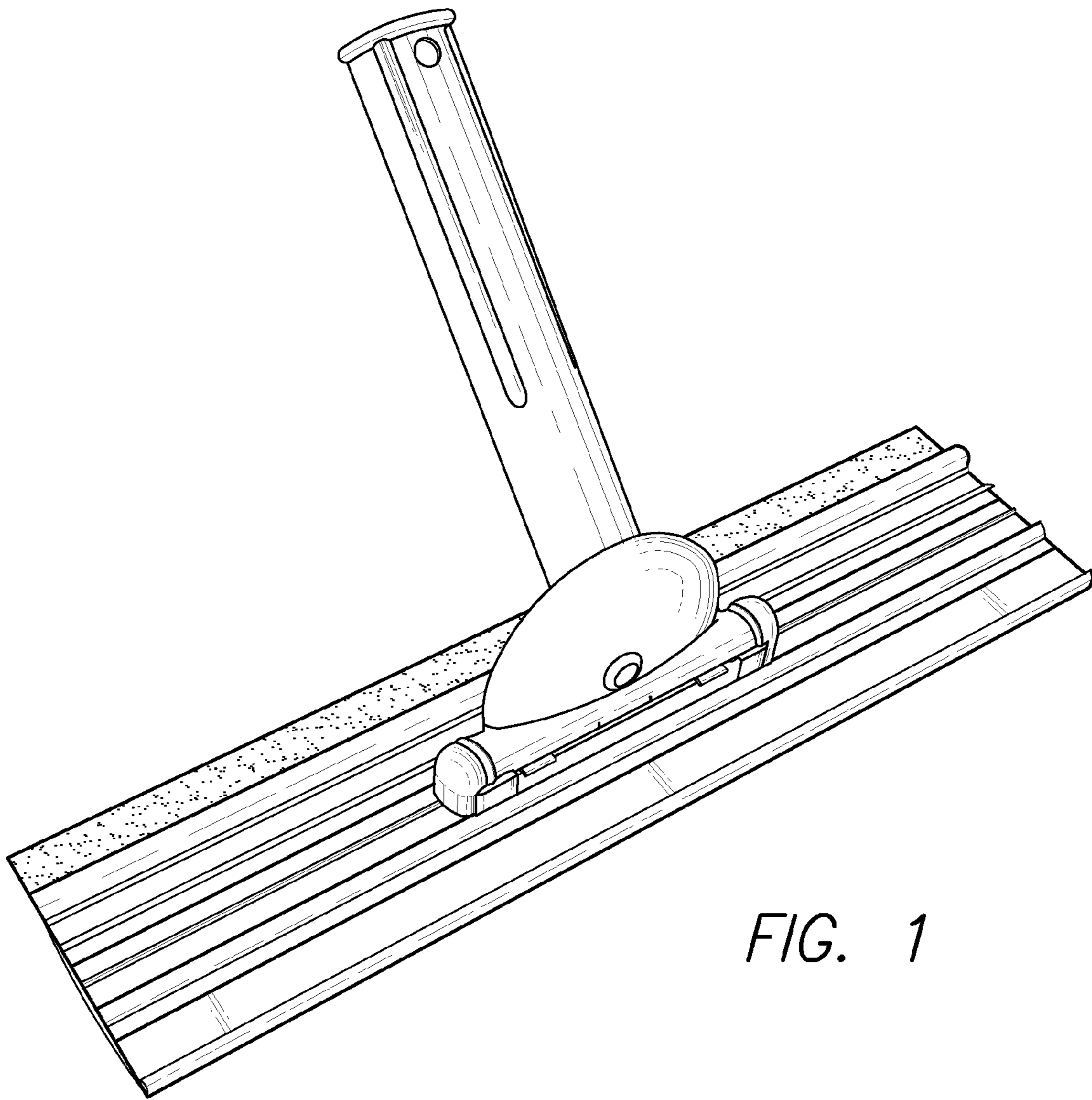


FIG. 1

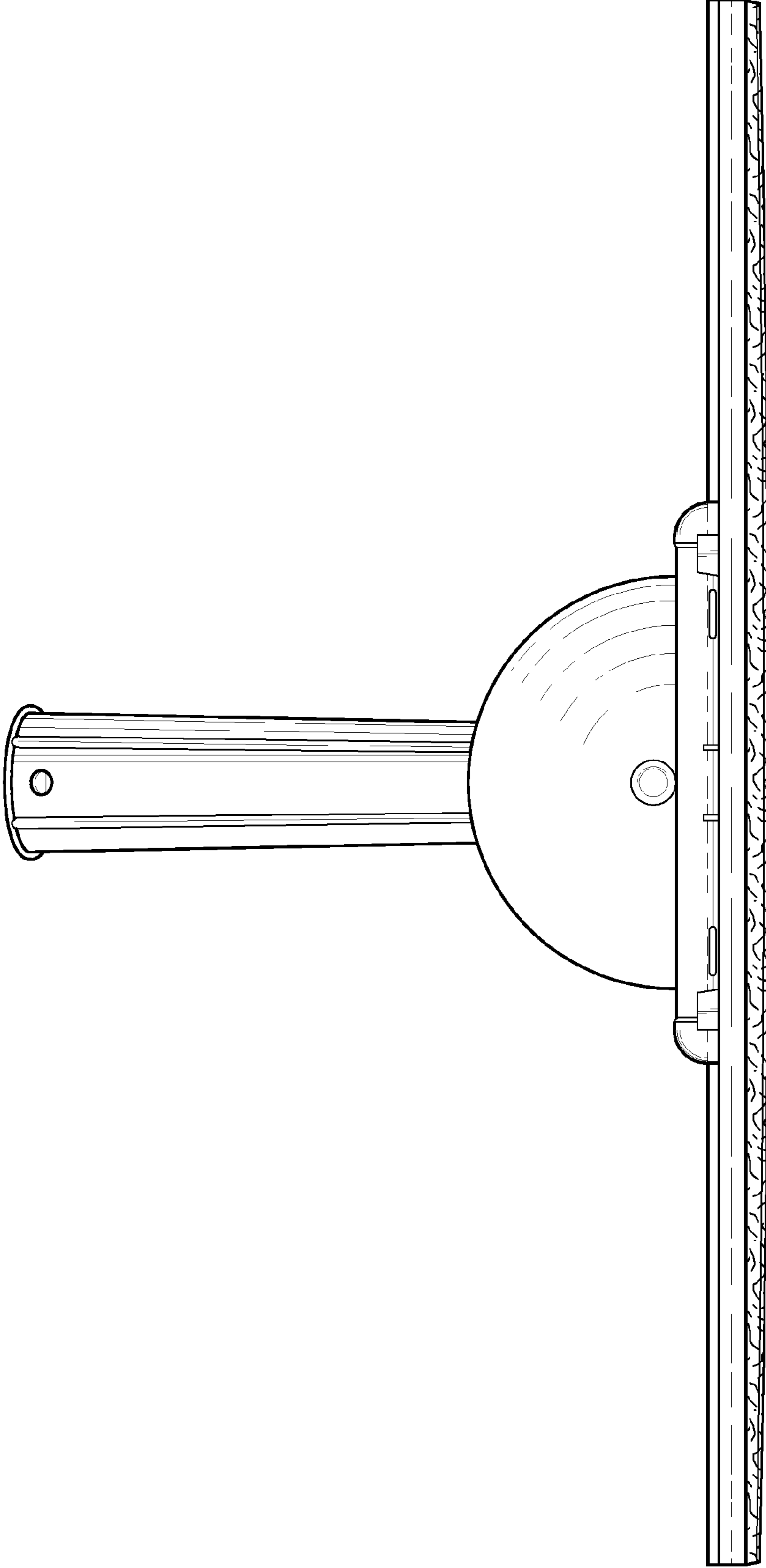


FIG. 2

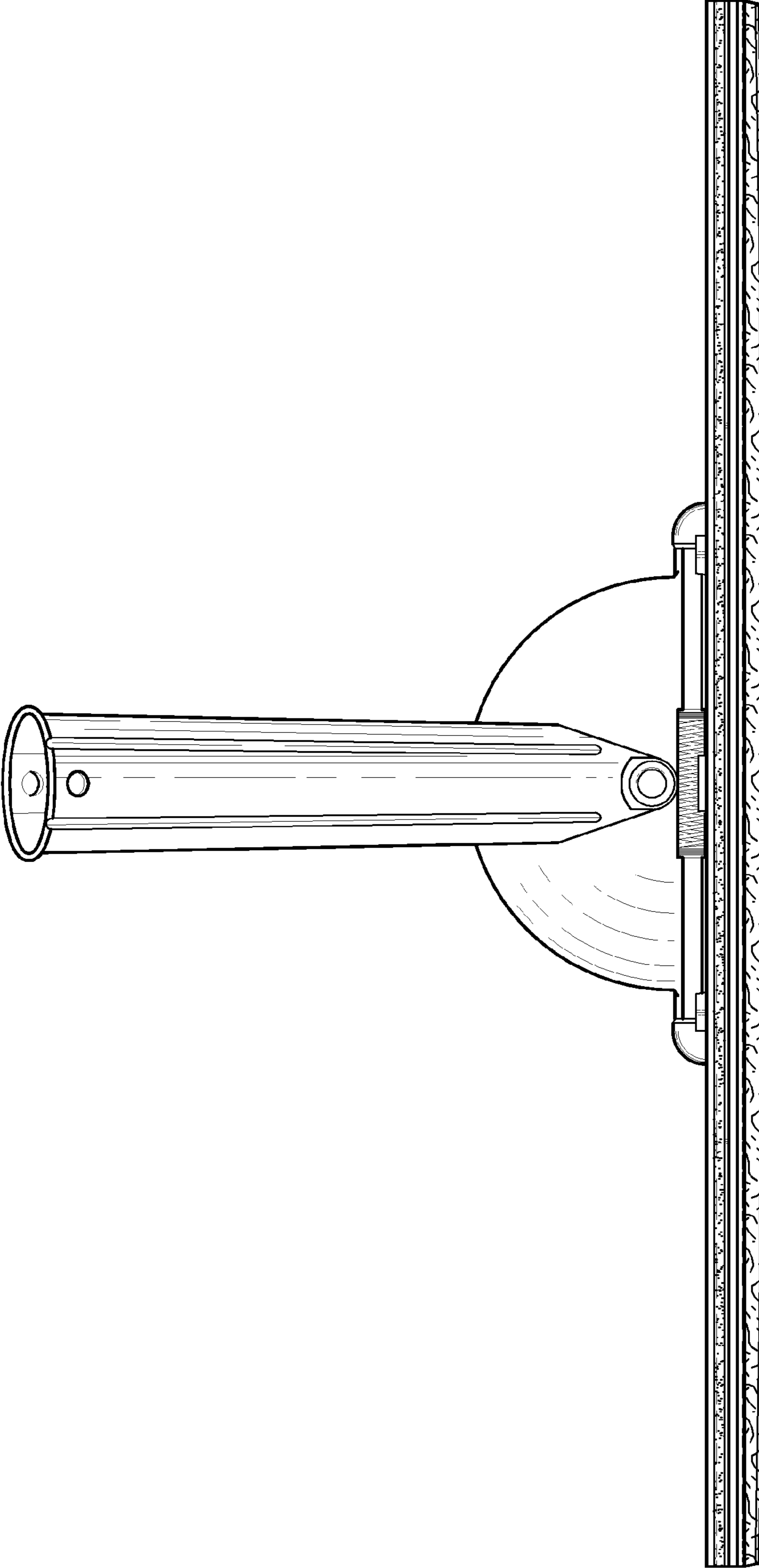


FIG. 3

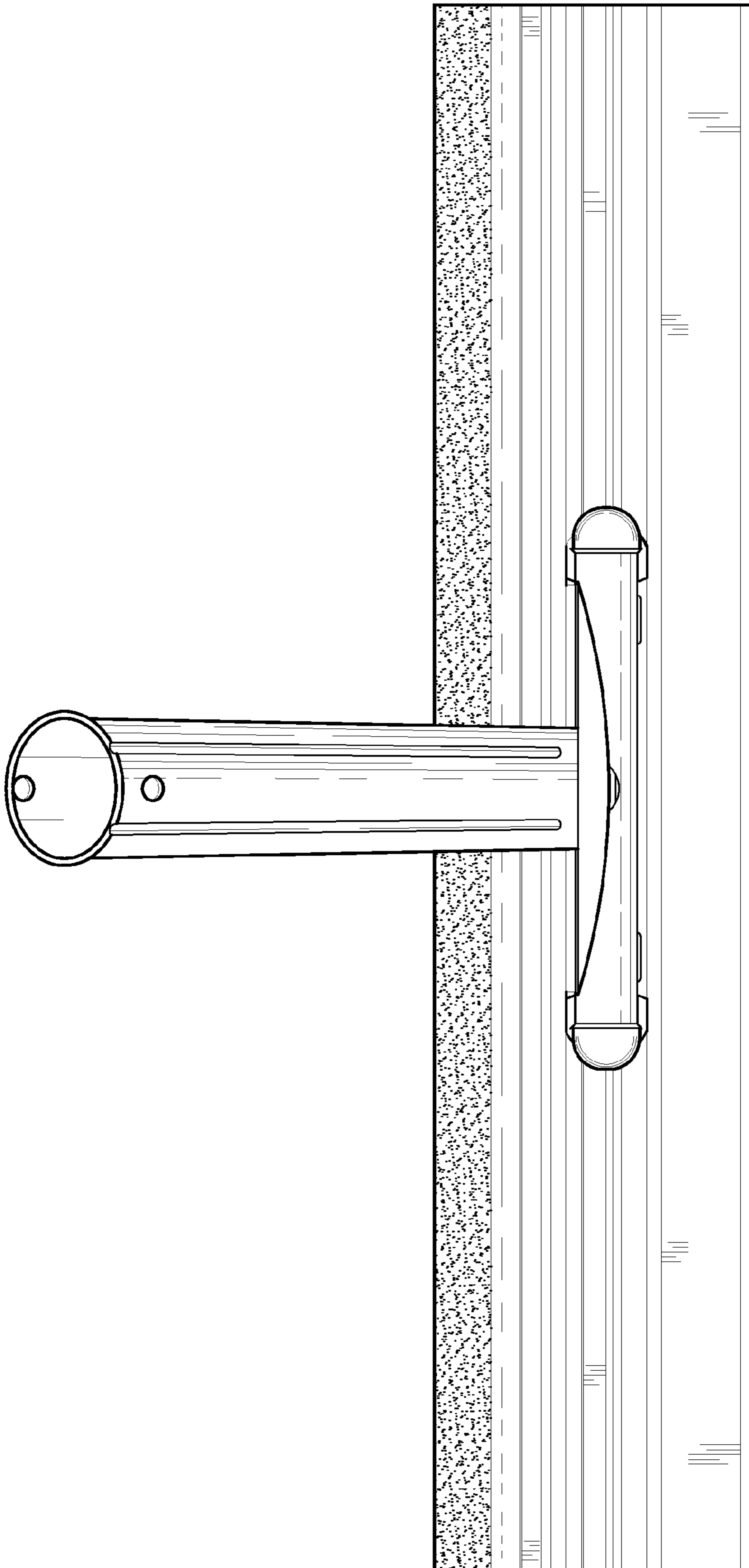
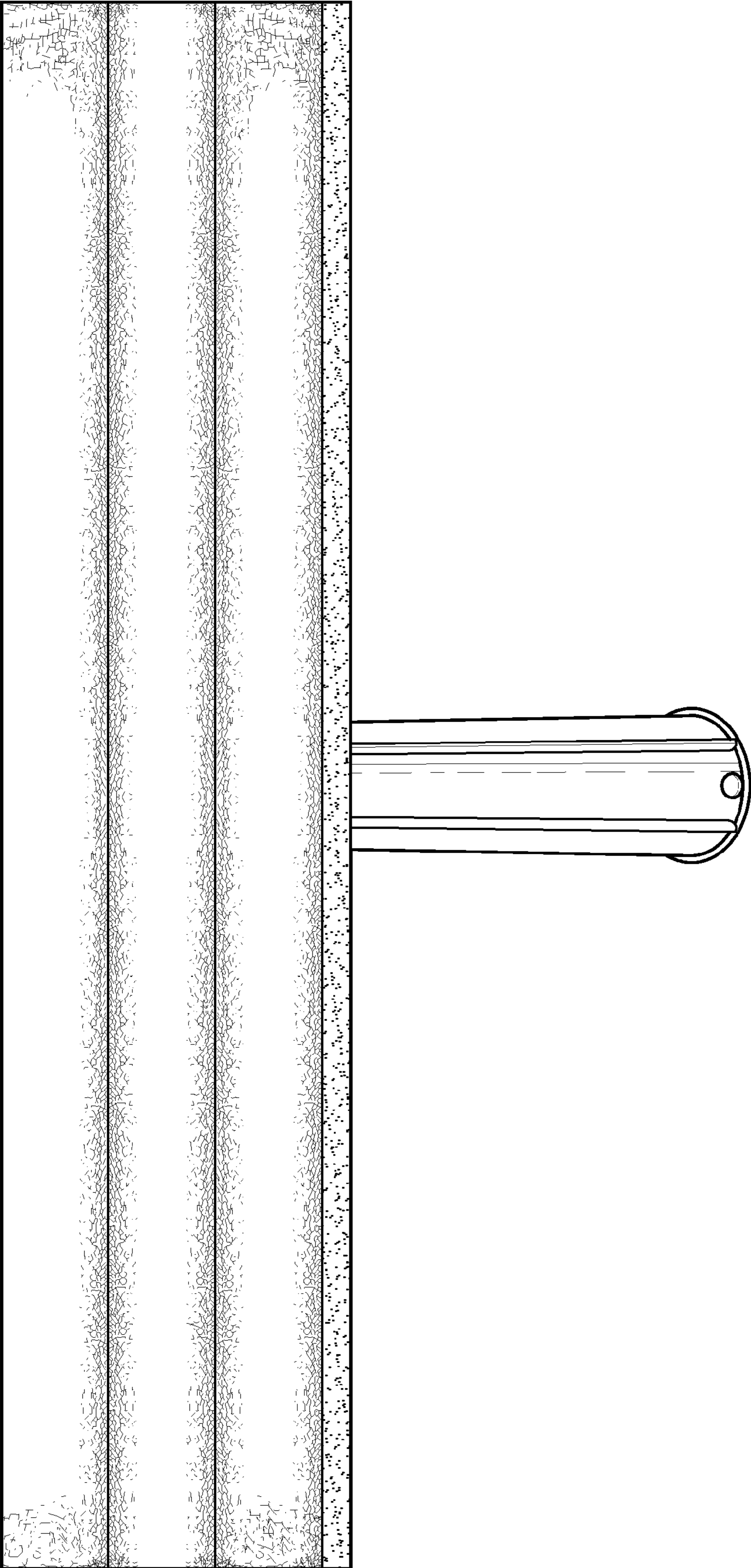


FIG. 4

FIG. 5



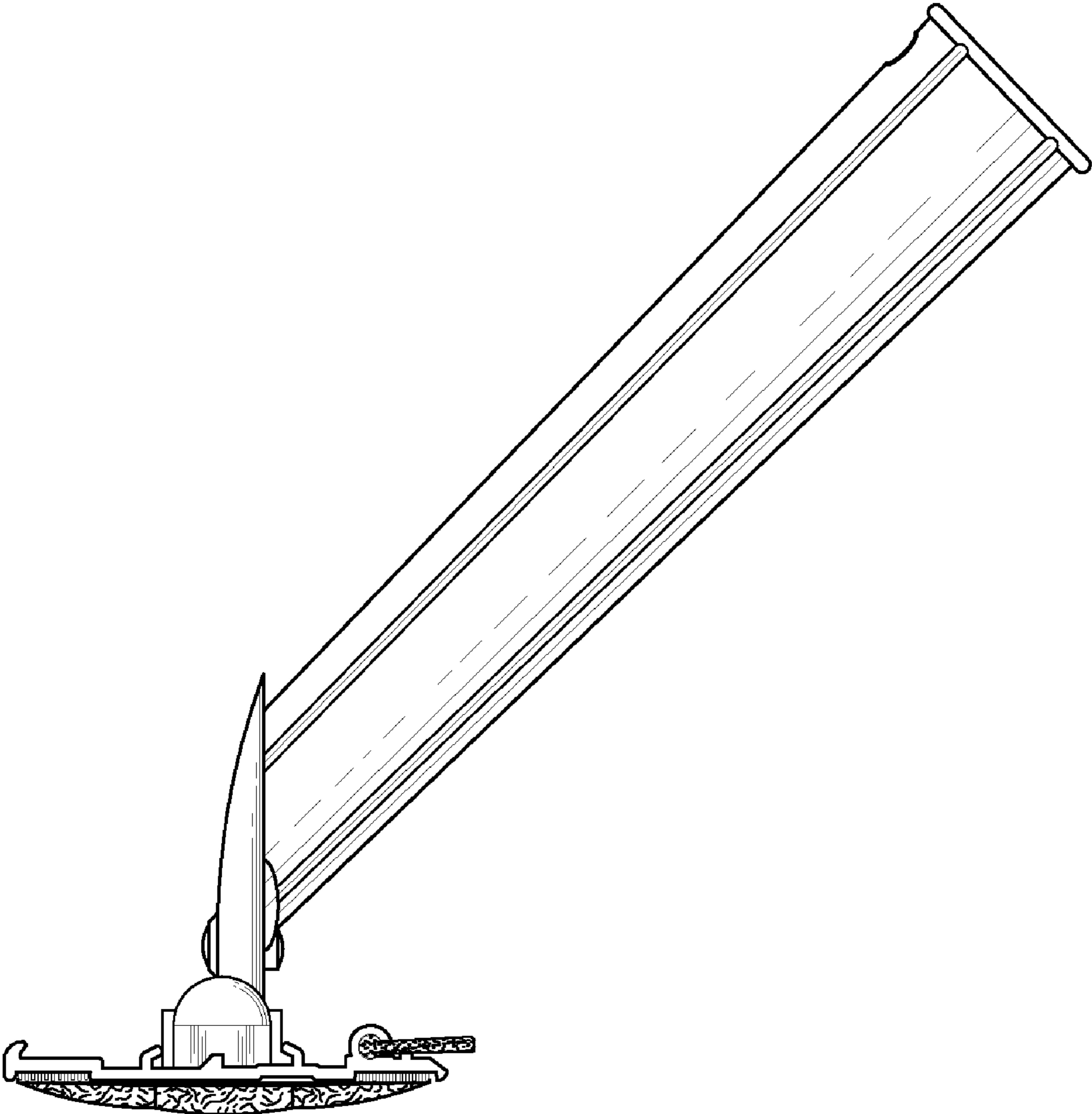


FIG. 6