

US00D545512S

(12) **United States Design Patent**
Genoa et al.

(10) **Patent No.:** **US D545,512 S**
(45) **Date of Patent:** **** Jun. 26, 2007**

(54) **VACUUM CLEANER WAND ADAPTER**

(75) Inventors: **Mark Genoa**, Melville, NY (US); **Scott Genoa**, Merrick, NY (US); **Joseph Genoa**, Boca Raton, FL (US)

(73) Assignee: **Nationwide Sales & Service, Inc.**, West Babylon, NY (US)

(**) Term: **14 Years**

(21) Appl. No.: **29/264,722**

(22) Filed: **Aug. 16, 2006**

Related U.S. Application Data

(63) Continuation of application No. 11/055,209, filed on Feb. 10, 2005.

- (51) **LOC (8) Cl.** **15-05**
- (52) **U.S. Cl.** **D32/31**
- (58) **Field of Classification Search** D32/22, D32/31-33, 38-39; 15/314, 321-322, 327.1, 15/377, 414, 329, 339, 344, 350-351, 361, 15/410-411, 415.1, 416-422, 422.1, DIG. 10; 285/7

See application file for complete search history.

(56) **References Cited**

U.S. PATENT DOCUMENTS

- 4,345,805 A 8/1982 Finley et al.
- 4,494,270 A 1/1985 Ritzau et al.
- 4,550,958 A 11/1985 Smith
- 4,963,100 A 10/1990 Genoa et al.
- 4,969,837 A 11/1990 Genoa et al.
- D314,848 S * 2/1991 Foldes D32/31
- 5,332,266 A * 7/1994 Canale 285/7
- 5,462,311 A 10/1995 Cipolla
- 5,472,346 A 12/1995 Gray et al.
- 5,551,731 A * 9/1996 Gray et al. 285/7
- 5,575,509 A 11/1996 Wood et al.
- 5,755,578 A 5/1998 Contant et al.
- 6,015,298 A 1/2000 Linhart

- 6,108,861 A 8/2000 Vystrcil et al.
- 6,115,881 A * 9/2000 Hult et al. 15/377
- 6,148,474 A * 11/2000 Ohara et al. 15/377
- 6,237,962 B1 5/2001 Lim
- D504,750 S * 5/2005 Leyden D32/31
- 6,886,865 B2 * 5/2005 Jung 285/7
- 2004/0123415 A1 * 7/2004 Mimura et al. 15/327.1
- 2004/0261211 A1 * 12/2004 Overvaag et al. 15/327.1
- 2005/0040644 A1 * 2/2005 Tawara et al. 285/7

* cited by examiner

Primary Examiner—Ruth McInroy

(74) *Attorney, Agent, or Firm*—Frishauf, Holtz, Goodman & Chick, P.C.

(57) **CLAIM**

The ornamental design for a vacuum cleaner wand adapter, as shown and described.

DESCRIPTION

FIG. 1 is a right side elevational view of a first embodiment of a vacuum cleaner wand adapter of the present invention, the left side view being a mirror image thereof;

FIG. 2 is a front elevational view thereof;

FIG. 3 is a rear elevational view thereof;

FIG. 4 is a top plan view thereof;

FIG. 5 is a rear perspective view thereof;

FIG. 6 is a right side elevational view of a second embodiment of a vacuum cleaner wand adapter in accordance with the present invention, the left side being a mirror image thereof;

FIG. 7 is a front elevational view thereof;

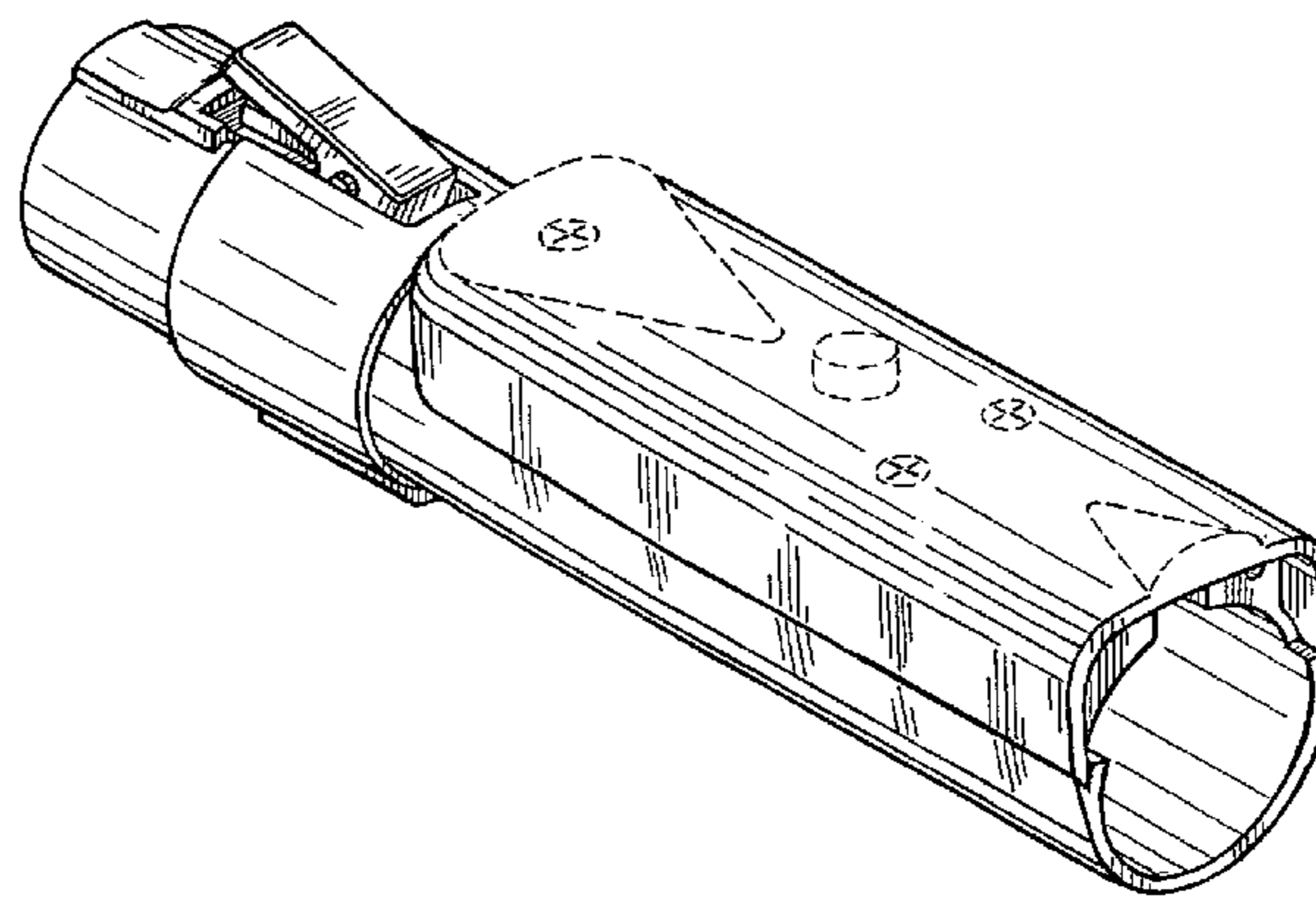
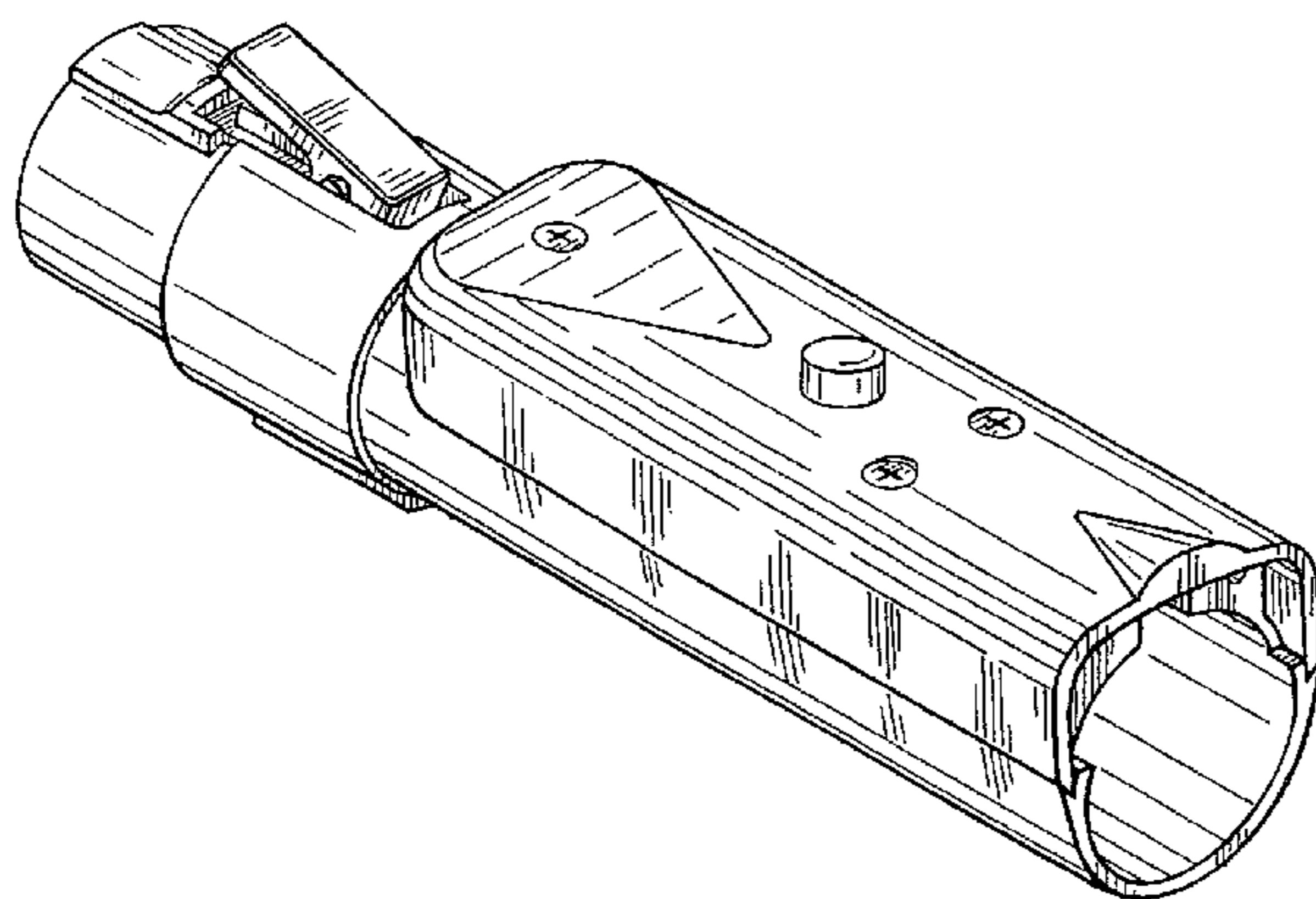
FIG. 8 is a rear elevational view thereof;

FIG. 9 is a top plan view thereof; and,

FIG. 10 is a rear perspective view thereof.

The broken lines in FIGS. 6-10 are shown to illustrate the environment only and form no part of the claimed design.

1 Claim, 4 Drawing Sheets



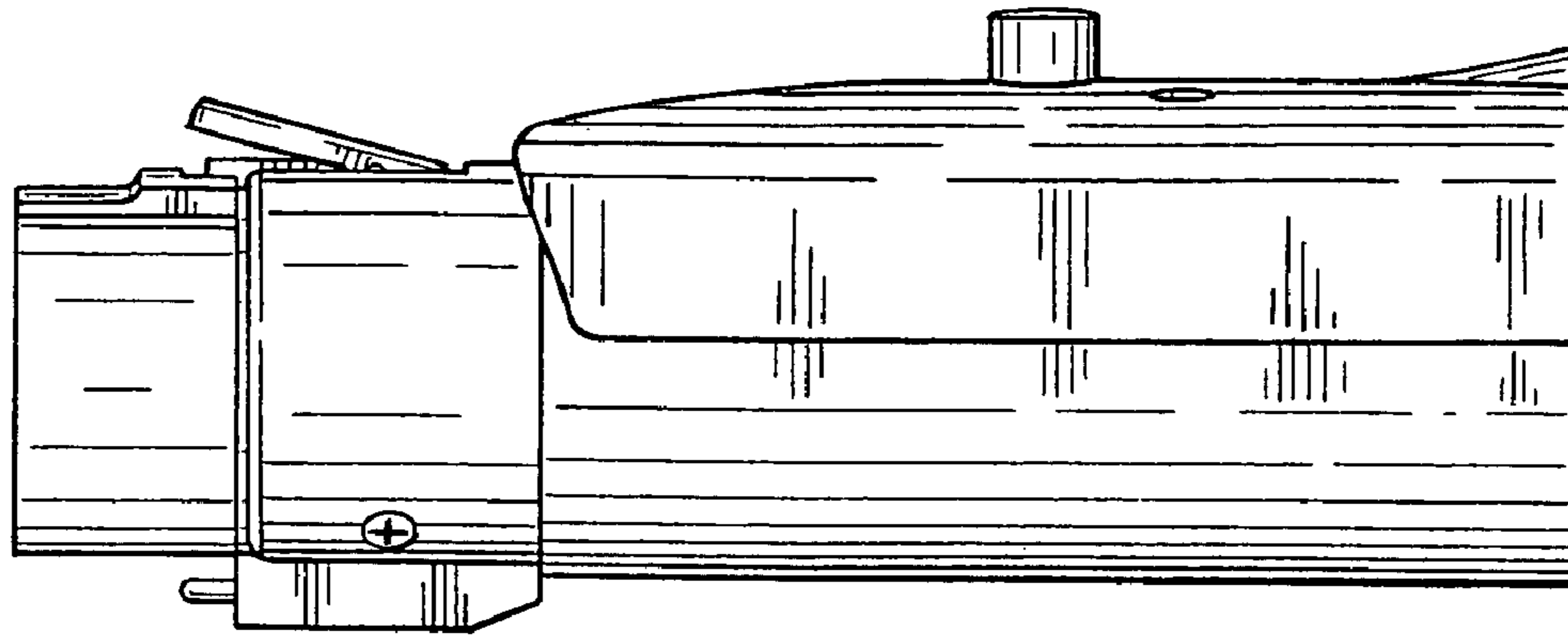


Fig. 1

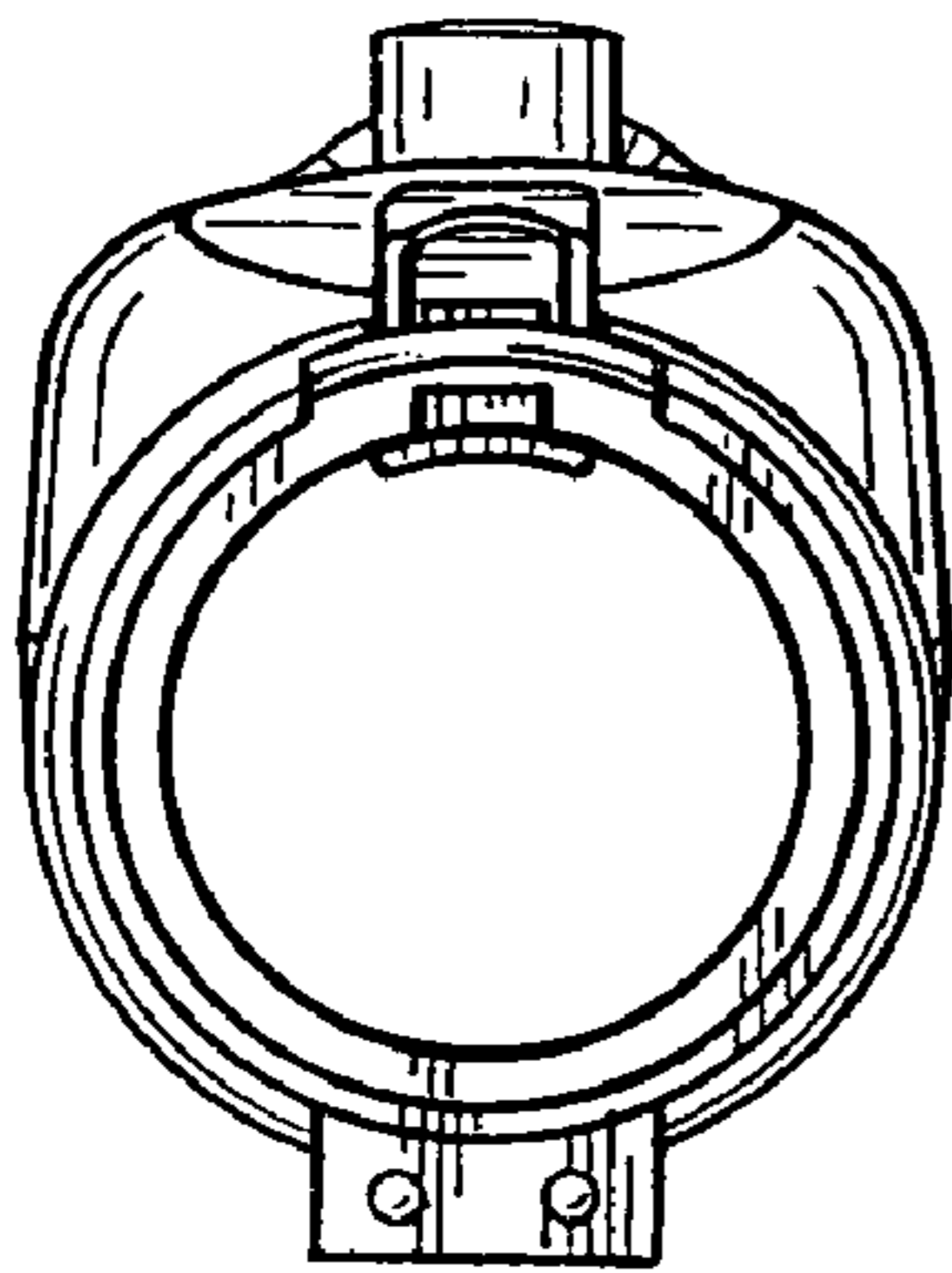


Fig. 2

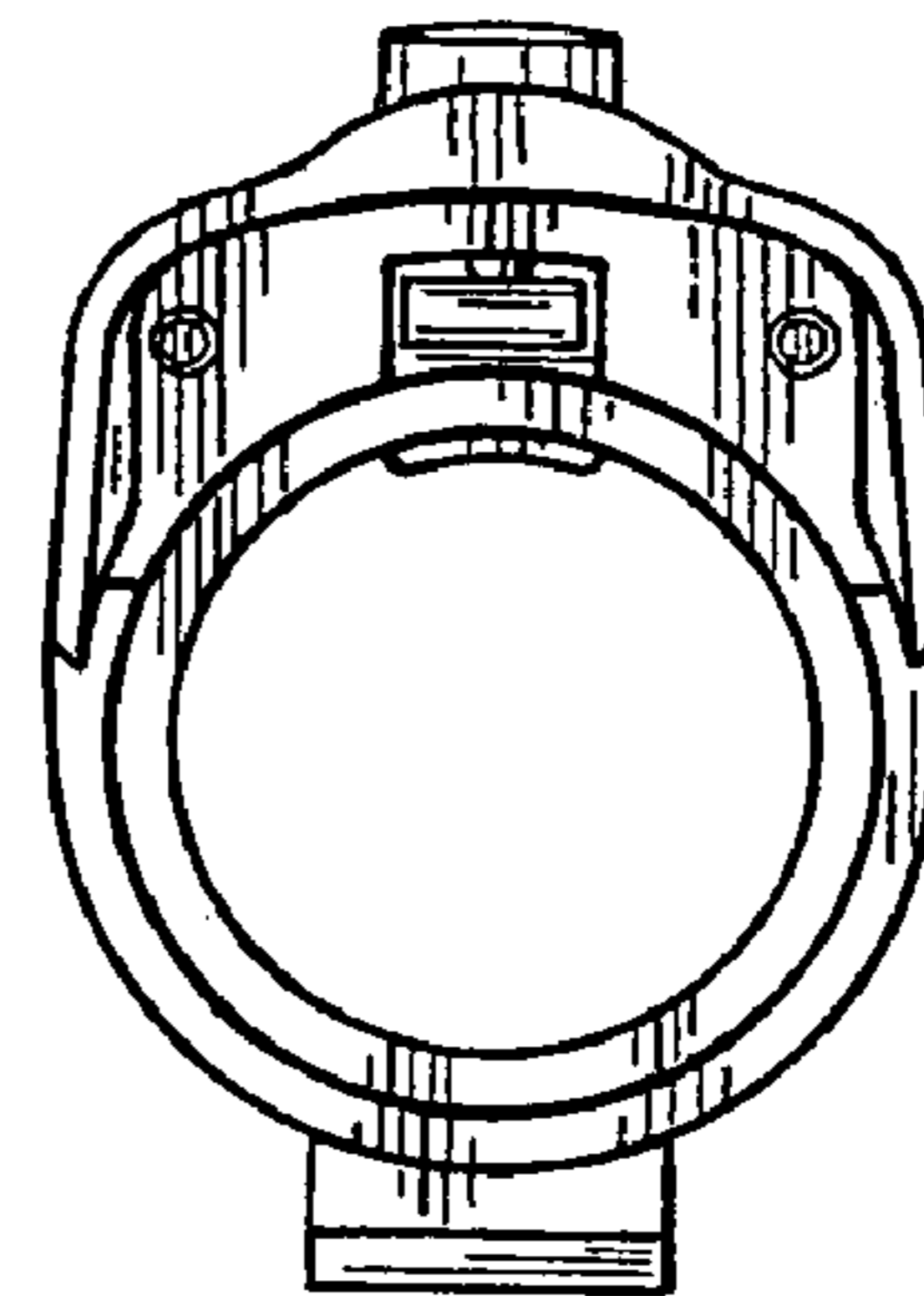


Fig. 3

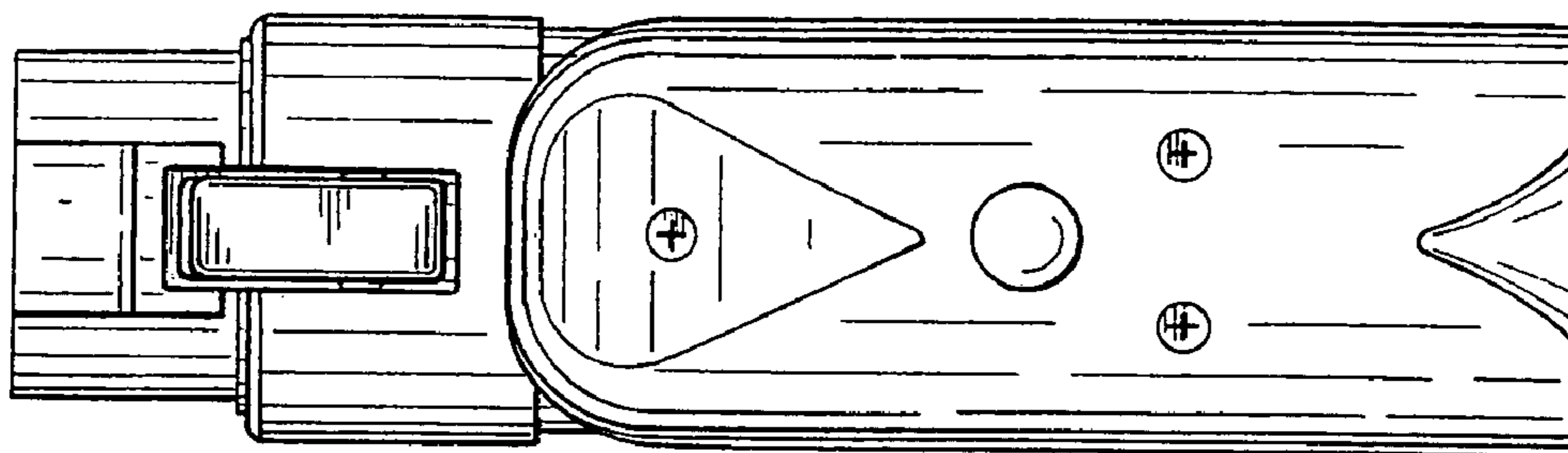


Fig. 4

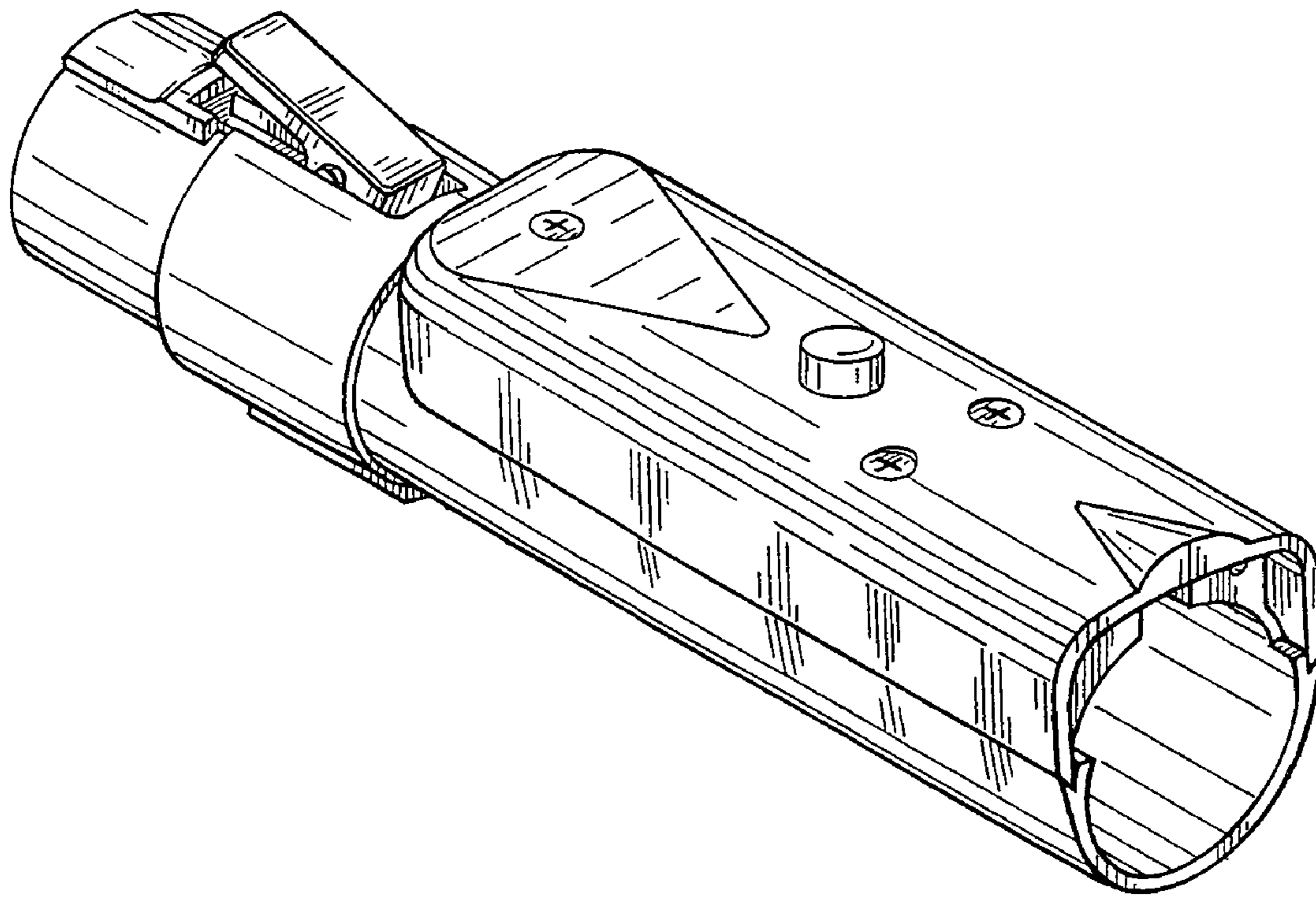


Fig. 5

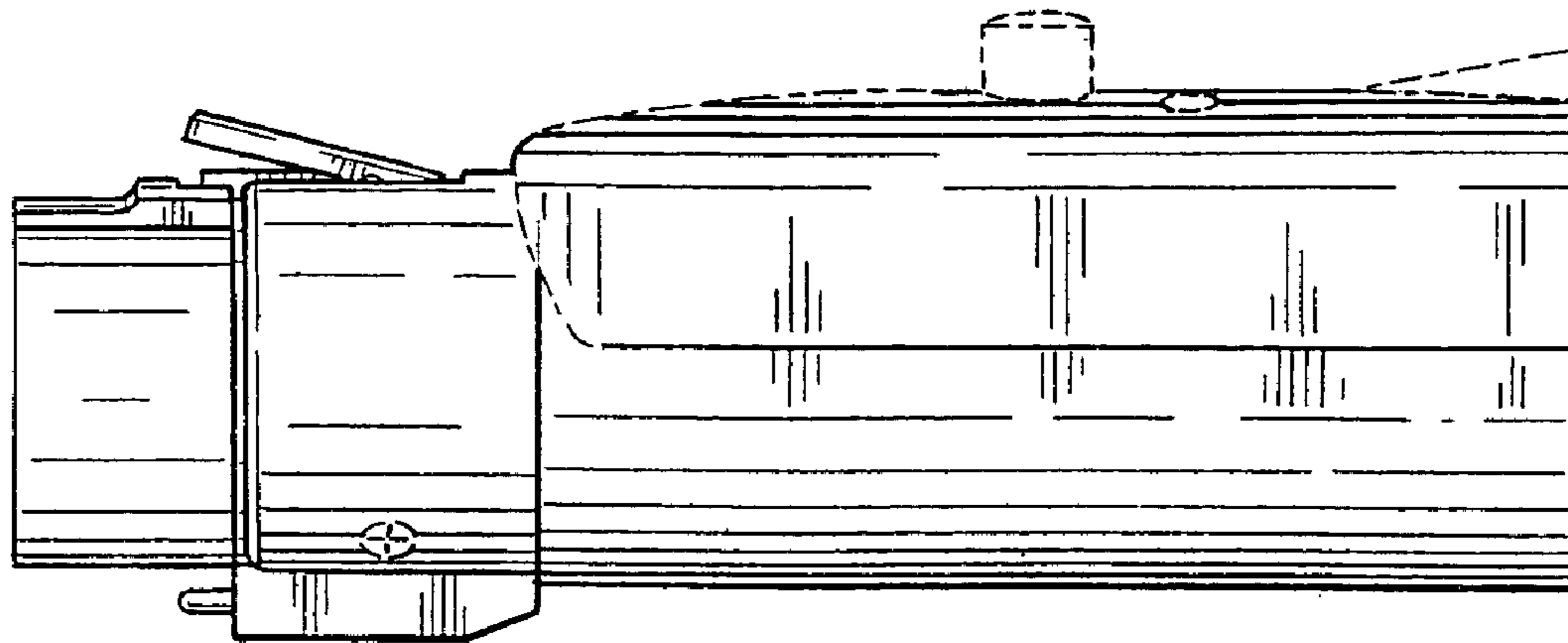


Fig. 6

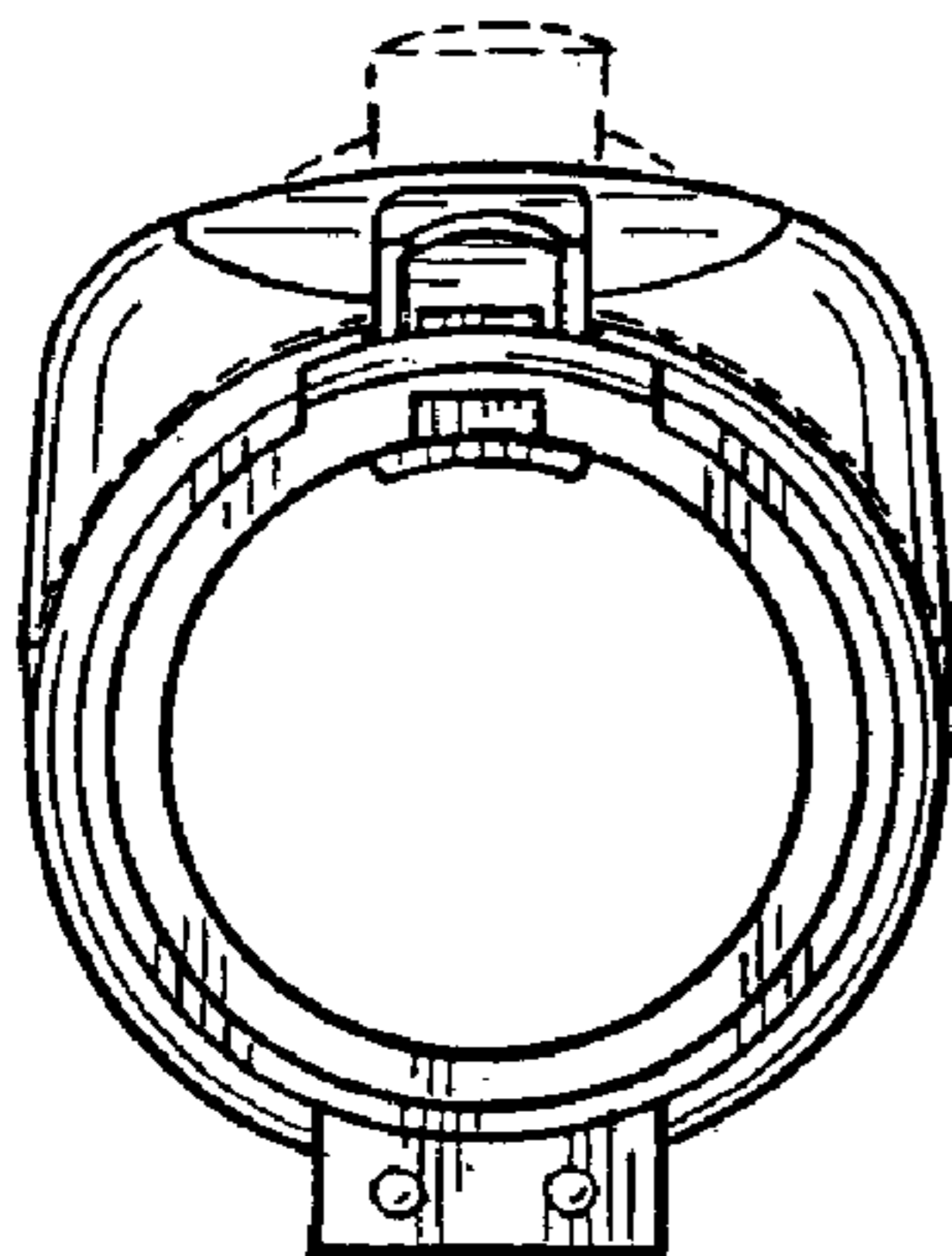


Fig. 7

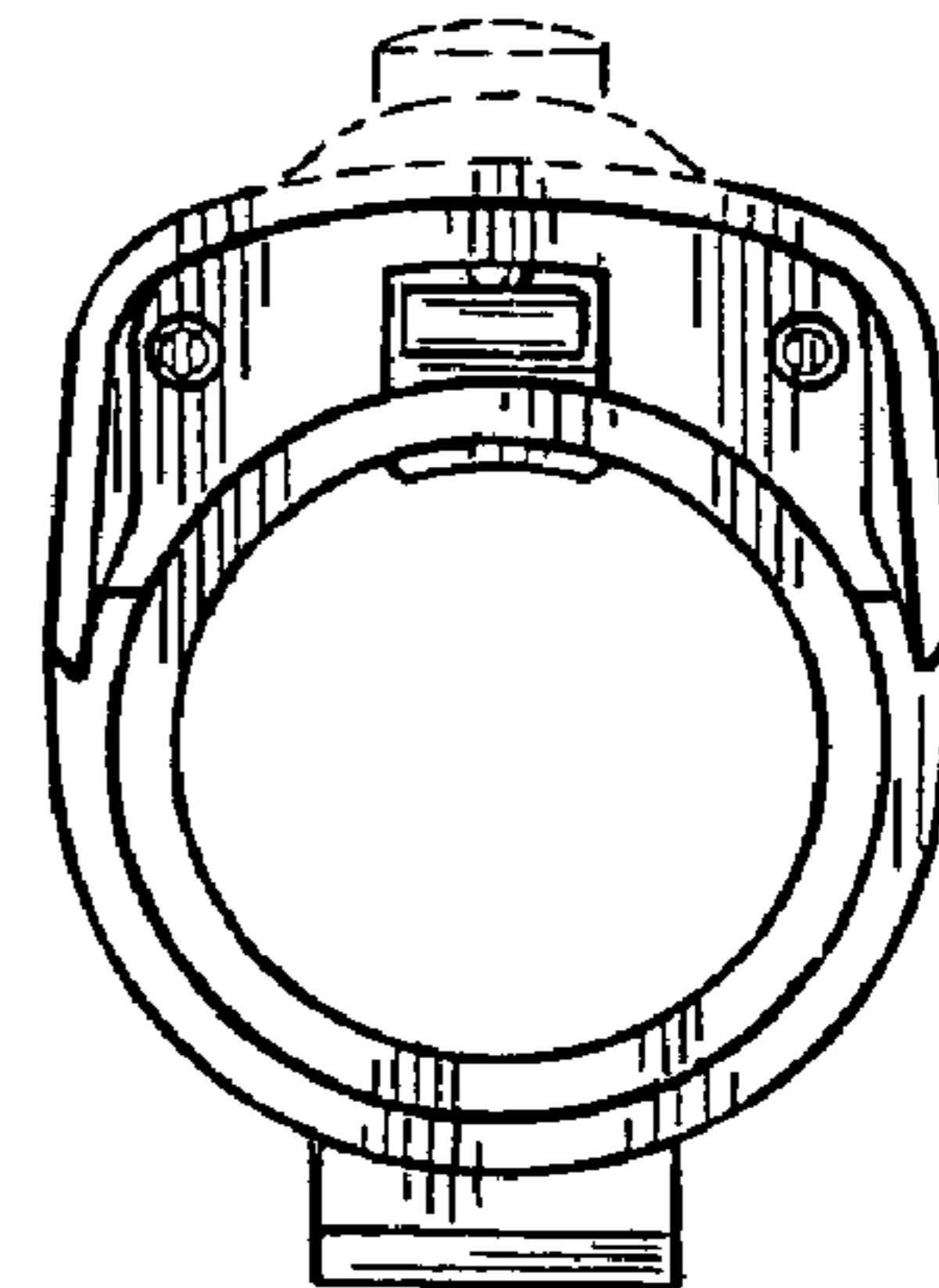


Fig. 8

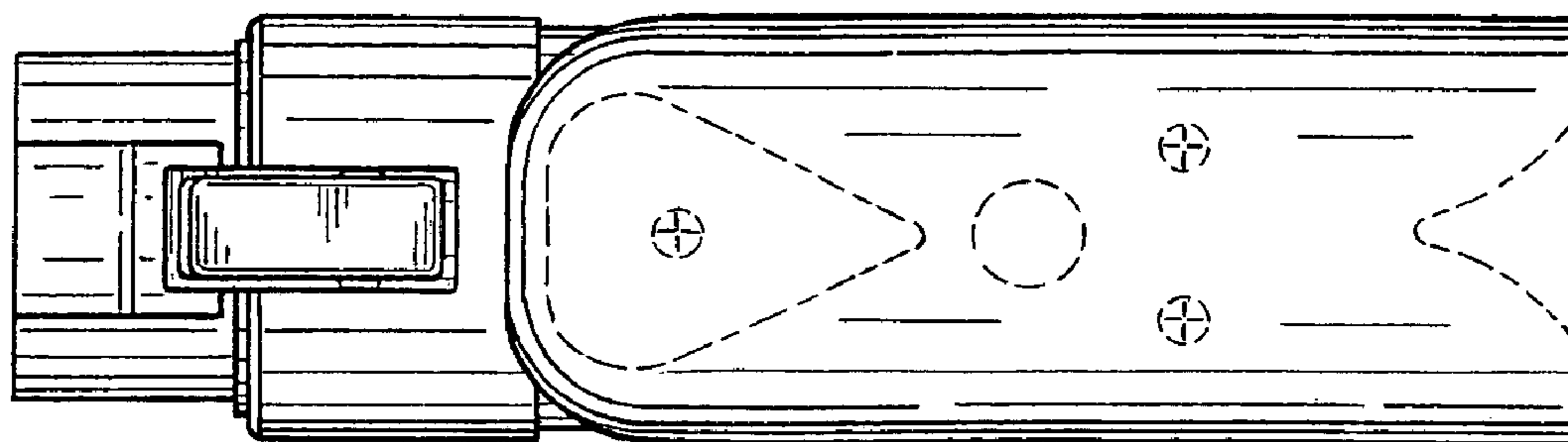


Fig. 9

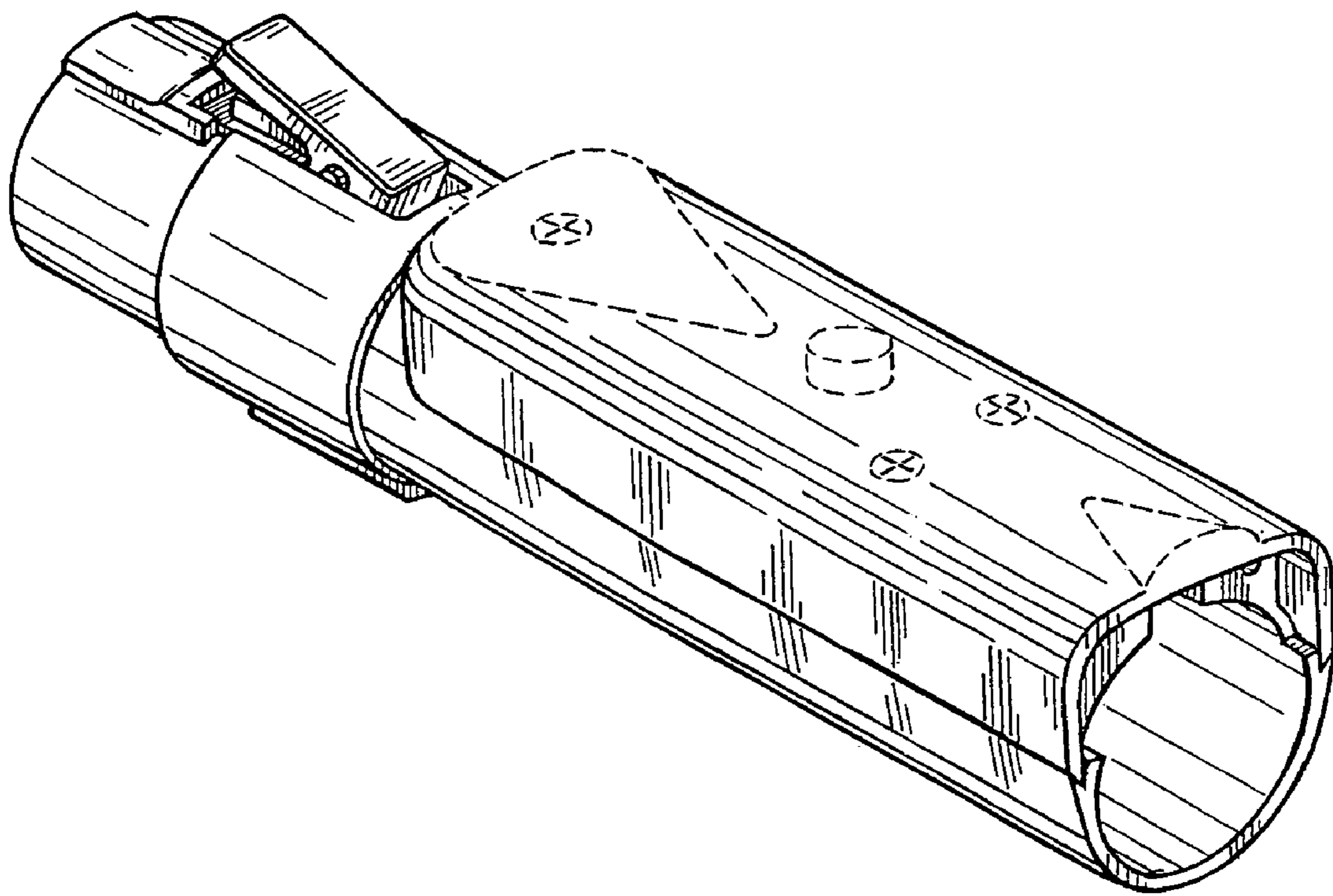


Fig. 10